



US00D852787S

(12) **United States Design Patent**
Neal et al.

(10) **Patent No.:** **US D852,787 S**
(45) **Date of Patent:** **** Jul. 2, 2019**

- (54) **ANTENNA BASE**
- (71) Applicant: **Omix-Ada, Inc.**, Suwanee, GA (US)
- (72) Inventors: **Jesse Neal**, Dacula, GA (US); **Taylor Johns**, Atlanta, GA (US)
- (73) Assignee: **OMIX-ADA, INC.**, Suwanee, GA (US)
- (**) Term: **15 Years**
- (21) Appl. No.: **29/604,561**
- (22) Filed: **May 18, 2017**
- (51) **LOC (11) Cl.** **14-03**
- (52) **U.S. Cl.**
USPC **D14/238**
- (58) **Field of Classification Search**
USPC D8/373, 349, 354, 355, 353, 352;
D14/230-238, 299, 358; D21/441, 443,
D21/451, 681; D6/653.18, 653.22, 677;
343/700 R-705, 711-713, 871-908
CPC H01Q 1/1207; H01Q 1/12; E04H 12/00
See application file for complete search history.

D643,026 S * 8/2011 Podduturi D14/238
 D744,986 S * 12/2015 Huerta D14/230
 2017/0237158 A1* 8/2017 Gibson H01Q 1/42
 343/872

OTHER PUBLICATIONS

Photographs 1-8.
* cited by examiner

Primary Examiner — Janice Hallmark
Assistant Examiner — Harold E Blackwell, II
(74) *Attorney, Agent, or Firm* — The Dobrusin Law Firm, P.C.; Daniel P. Aleksynas

(57) **CLAIM**

The ornamental design for an antenna base, as shown and described.

DESCRIPTION

FIG. 1 is a right front perspective view of an antenna base showing our new design.
FIG. 2 is a front elevational view thereof.
FIG. 3 is a rear elevational view thereof.
FIG. 4 is a right side elevational view thereof.
FIG. 5 is a left side elevational view thereof.
FIG. 6 is a top plan view thereof; and,
FIG. 7 is a bottom plan view thereof.
The broken lines shown in the drawings illustrate portions of the antenna base which form no part of the claimed design.

(56) **References Cited**

U.S. PATENT DOCUMENTS

- 4,872,017 A * 10/1989 White H01Q 1/1207
343/715
- D519,992 S * 5/2006 McAnally D14/238
- D605,184 S * 12/2009 Merical D14/238

1 Claim, 4 Drawing Sheets

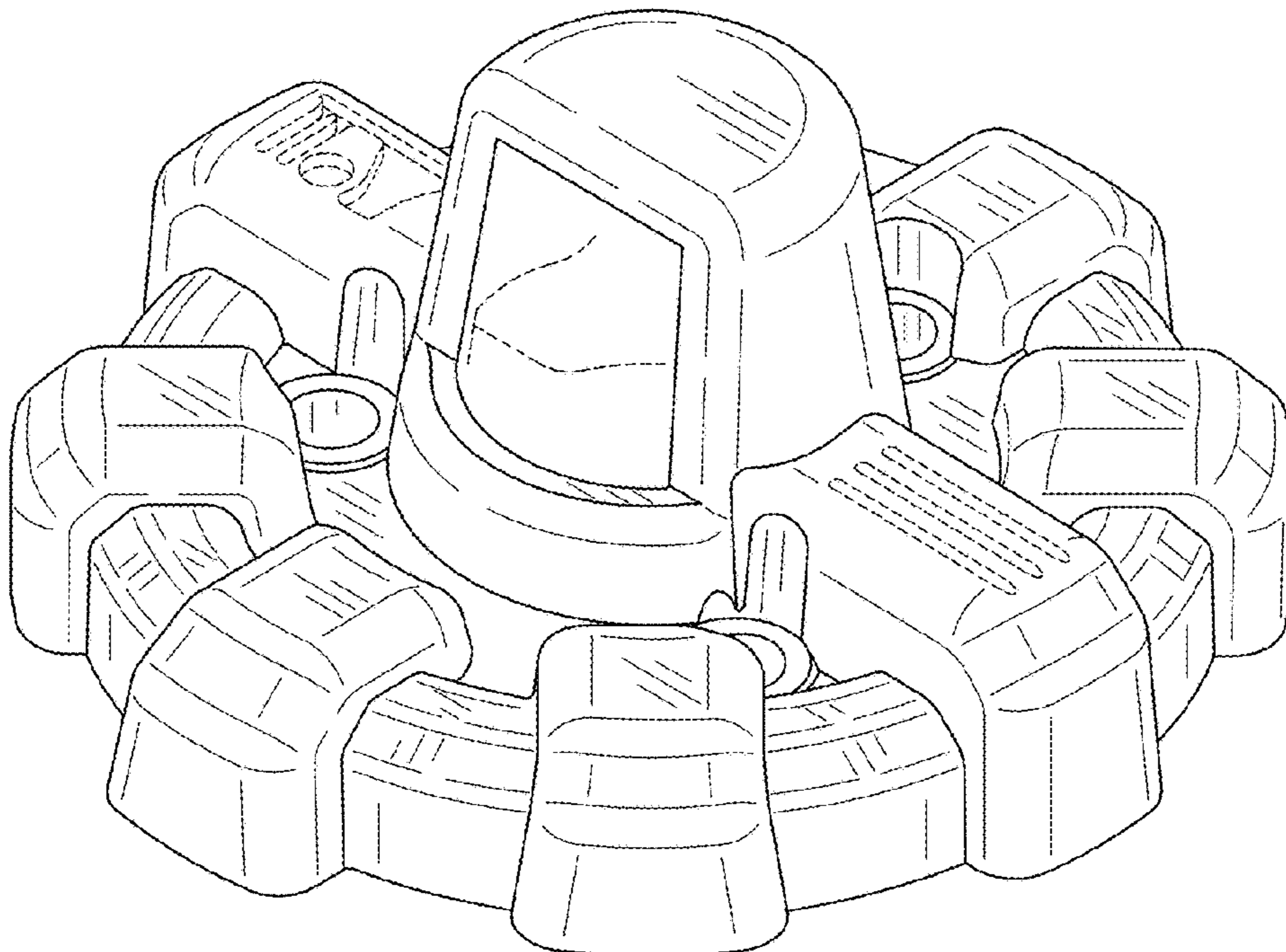


FIG. 1

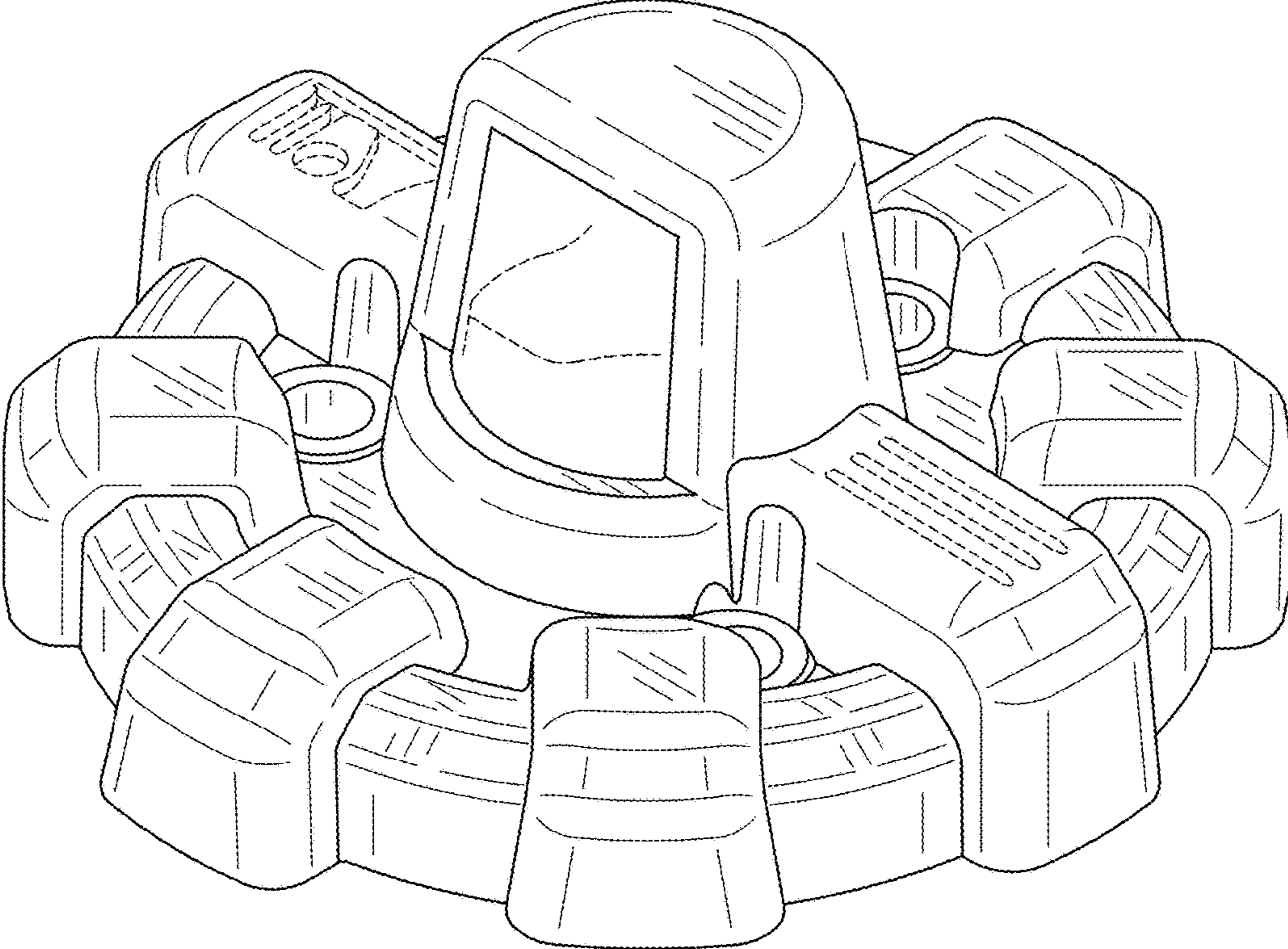


FIG. 2

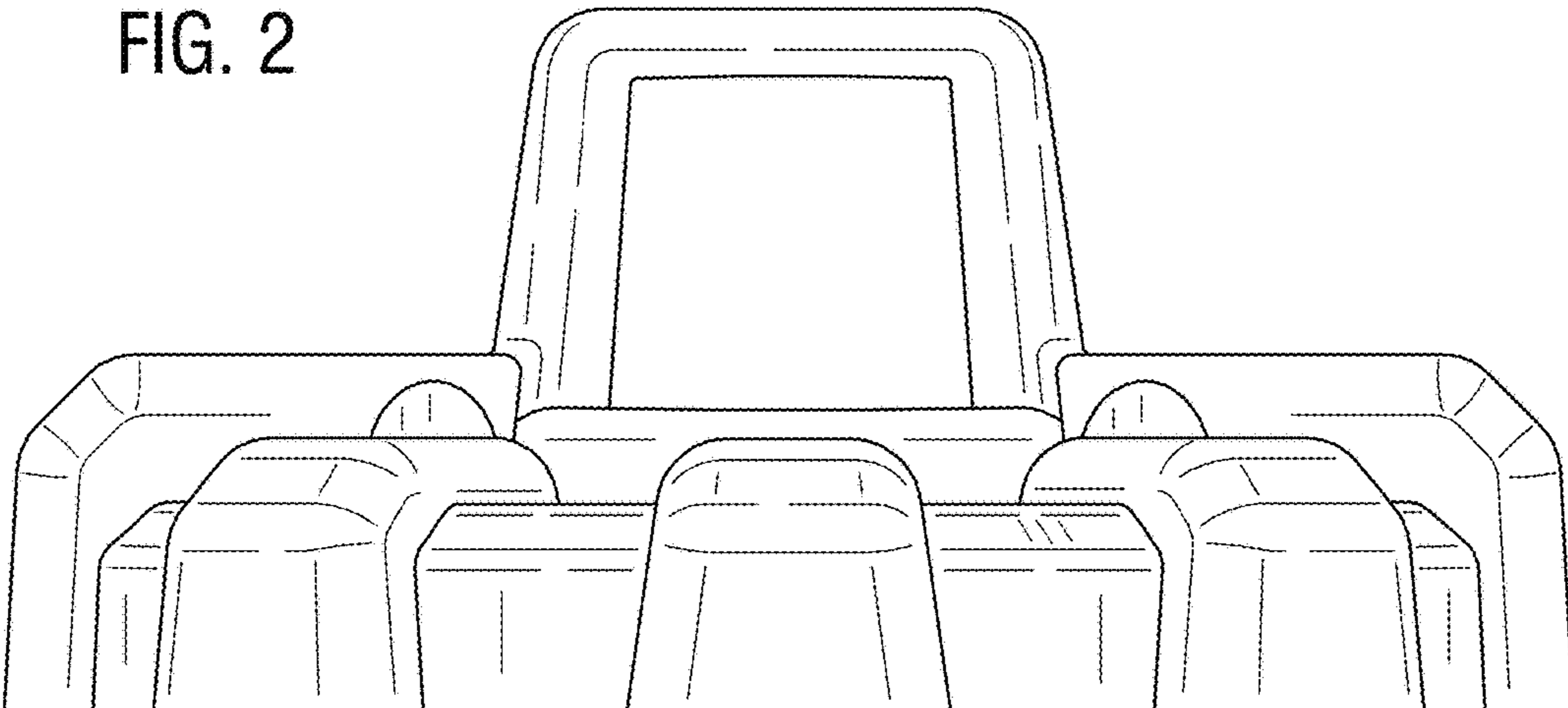


FIG. 3

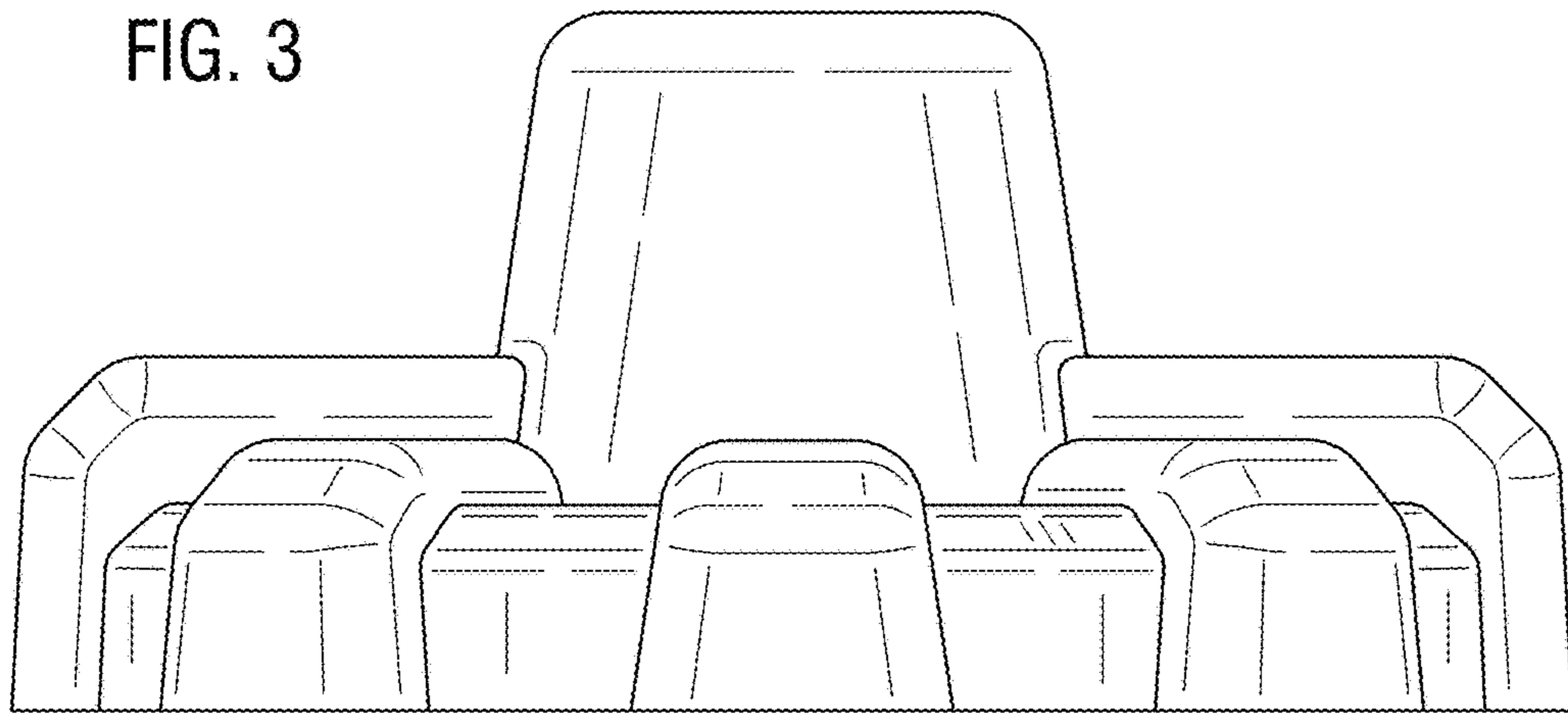


FIG. 4

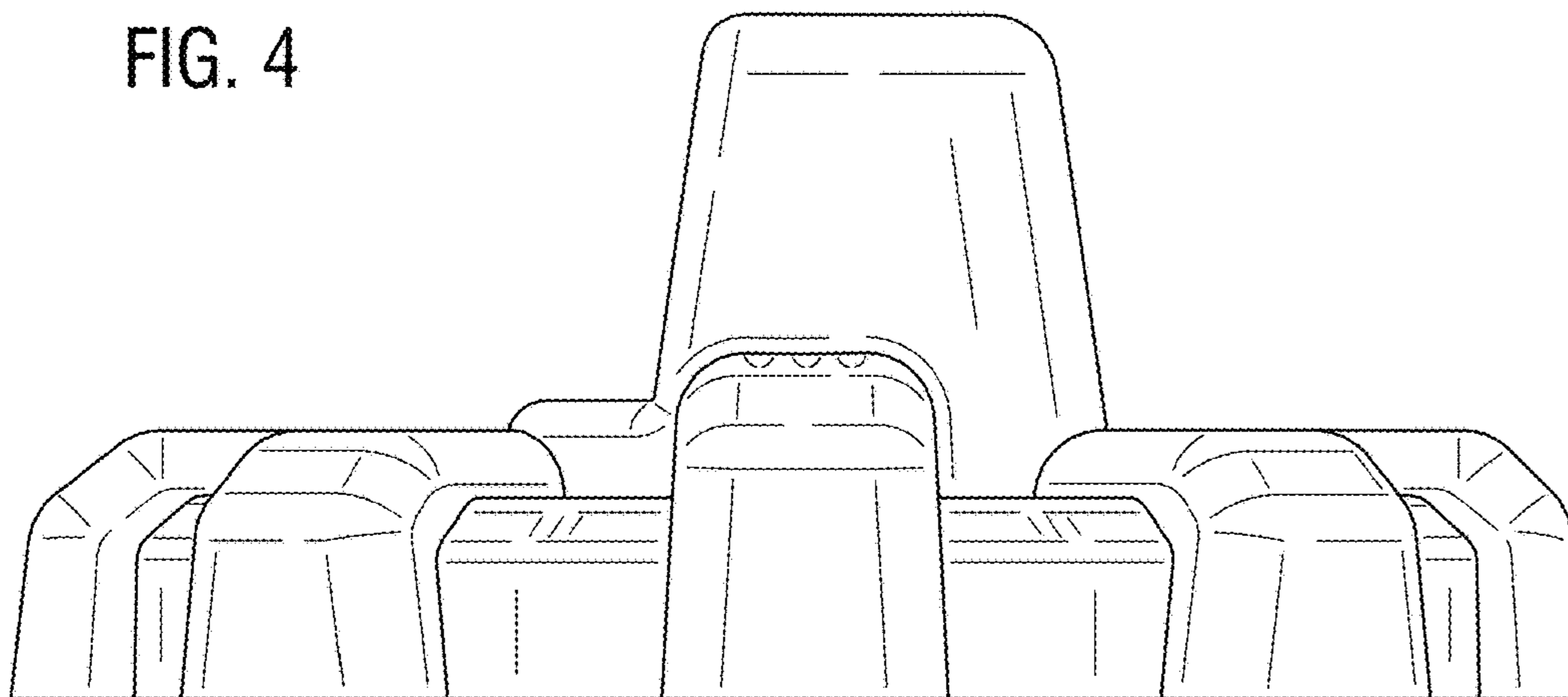


FIG. 5

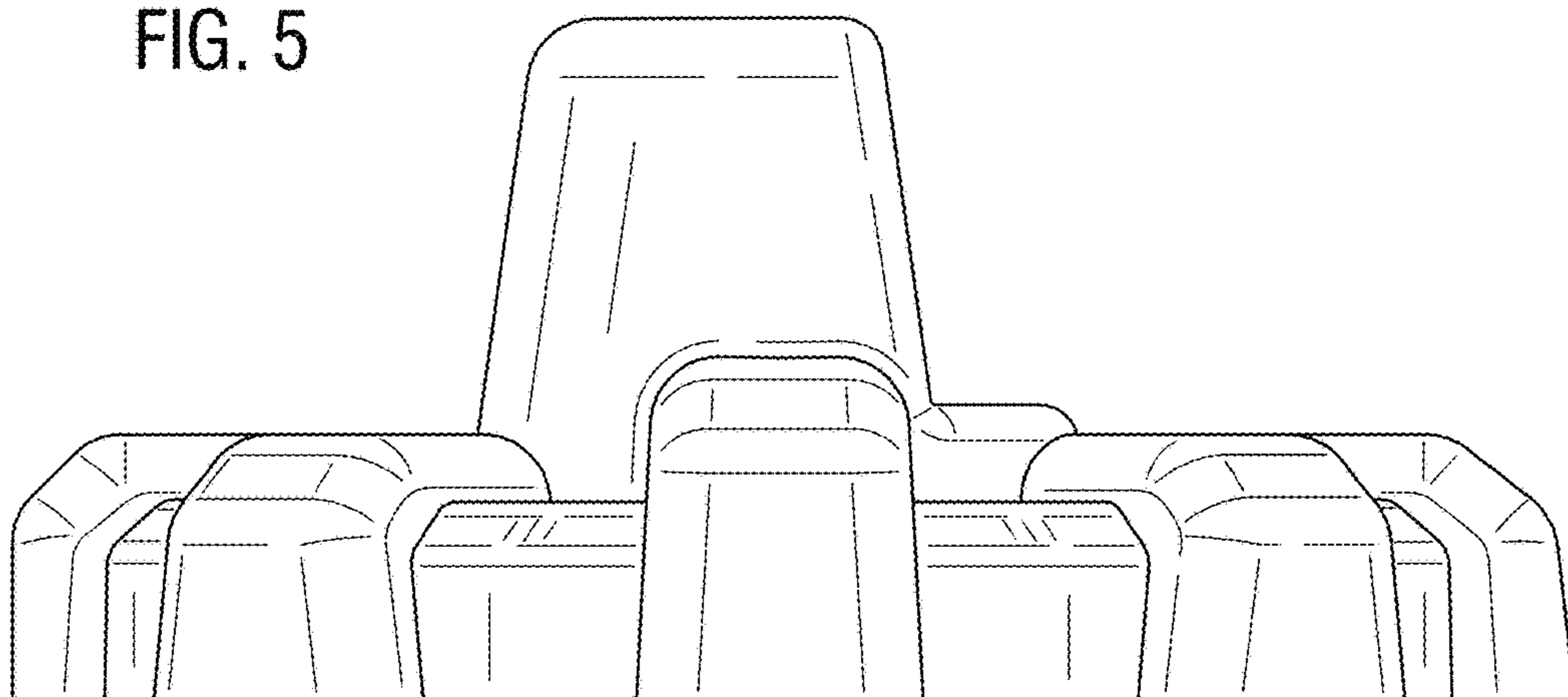


FIG. 6

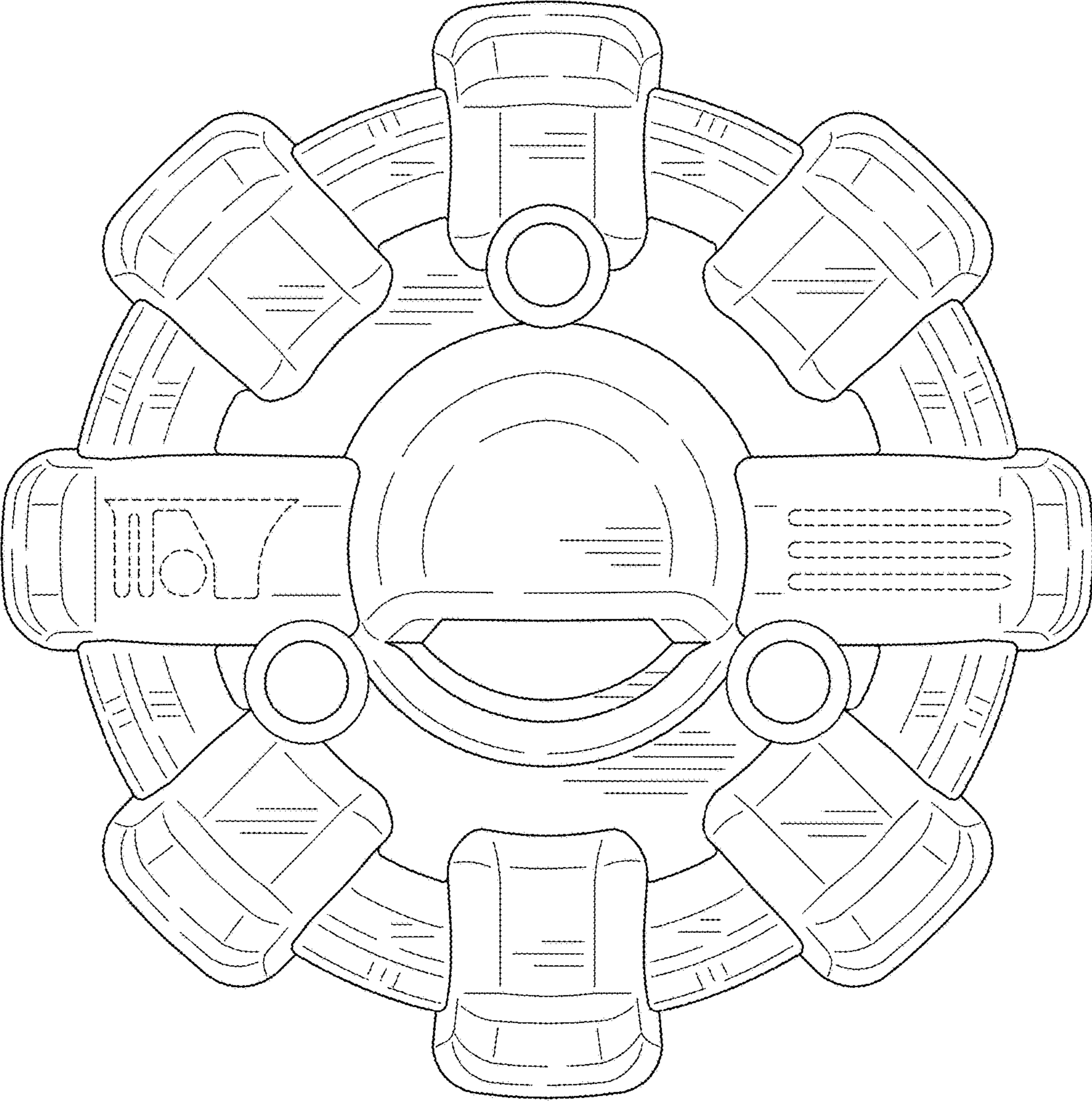


FIG. 7

