



US00D852784S

(12) **United States Design Patent**
Cramer et al.

(10) **Patent No.:** **US D852,784 S**
(45) **Date of Patent:** **** Jul. 2, 2019**

- (54) **WIRELESS PAIR OF EARBUDS**
- (71) Applicant: **Peag, LLC**, Carlsbad, CA (US)
- (72) Inventors: **Winthrop Cramer**, Carlsbad, CA (US);
Reed Patrick Crawford, San Diego, CA (US)
- (73) Assignee: **Peag, LLC**, Carlsbad, CA (US)
- (**) Term: **15 Years**
- (21) Appl. No.: **29/639,973**
- (22) Filed: **Mar. 9, 2018**

6,728,388 B1 *	4/2004	Nageno	H04R 1/105 381/330
D497,613 S *	10/2004	Gwee	D14/205
D519,108 S *	4/2006	Yang	D14/223
D529,901 S *	10/2006	Ohta	D14/223
D558,735 S *	1/2008	Carr	D14/206
D574,814 S *	8/2008	Hammond	D14/205
D575,278 S *	8/2008	Guccione	D14/223
D575,772 S *	8/2008	Schultz	D14/206

(Continued)

Primary Examiner — Paula Allen Greene
(74) *Attorney, Agent, or Firm* — LambentIP

(57) **CLAIM**

The ornamental design for a wireless pair of earbuds, as shown and described.

DESCRIPTION

FIG. 1 is a perspective view of the right and left earbuds of a wireless pair of earbuds showing our design.
 FIG. 2 is another perspective view thereof.
 FIG. 3 is an outer side view of the left earbud worn at the left ear of a user.
 FIG. 4 is a rear view of the right and left earbuds of the wireless pair of earbuds worn at the right and left ears of a user, respectively.
 FIG. 5 is an outer side view of the right earbud, the outer side view of the left earbud being a mirror image thereof.
 FIG. 6 is an inner side view of the right earbud, the inner side view of the left earbud being a mirror image thereof.
 FIG. 7 is a bottom view of the right earbud, the bottom view of the left earbud being a mirror image thereof.
 FIG. 8 is a top view of the right earbud, the top view of the left earbud being a mirror image thereof.
 FIG. 9 is a rear view of the right earbud, the rear view of the left earbud being a mirror image thereof; and,
 FIG. 10 is a front view of the right earbud, the front view of the left earbud being a mirror image thereof.
 The broken lines are for the purpose of illustrating environment and form no part of the claimed design.

Related U.S. Application Data

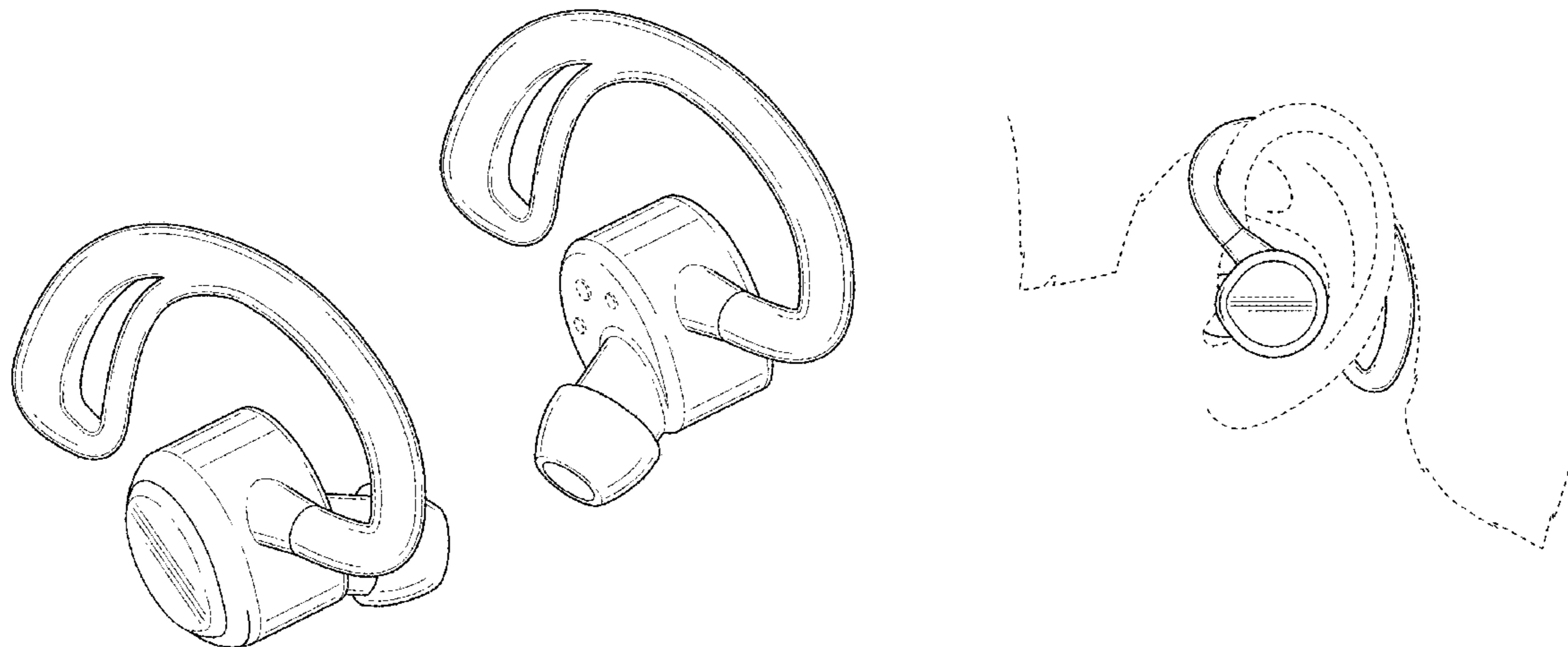
- (63) Continuation of application No. 15/452,591, filed on Mar. 7, 2017, now Pat. No. 9,949,014.
- (51) **LOC (11) Cl.** **14-01**
- (52) **U.S. Cl.**
USPC **D14/223**
- (58) **Field of Classification Search**
USPC D14/223, 205; D24/174; 128/864, 865, 128/866; 181/129, 130, 135; 379/430, 379/431; 381/380, 381; 455/90.3, 575.1, 455/569.1
CPC H04R 1/10; H04R 1/1016; H04R 1/066; H04R 5/033; H04R 5/0335; H04R 1/105; H04R 1/083
See application file for complete search history.

(56) **References Cited**

U.S. PATENT DOCUMENTS

4,457,396 A *	7/1984	James	H04R 1/345 181/129
4,539,708 A *	9/1985	Norris	H04B 1/088 455/100
6,449,374 B1	9/2002	Skulley et al.	
D487,077 S *	2/2004	Obata	D14/223

1 Claim, 7 Drawing Sheets



(56)

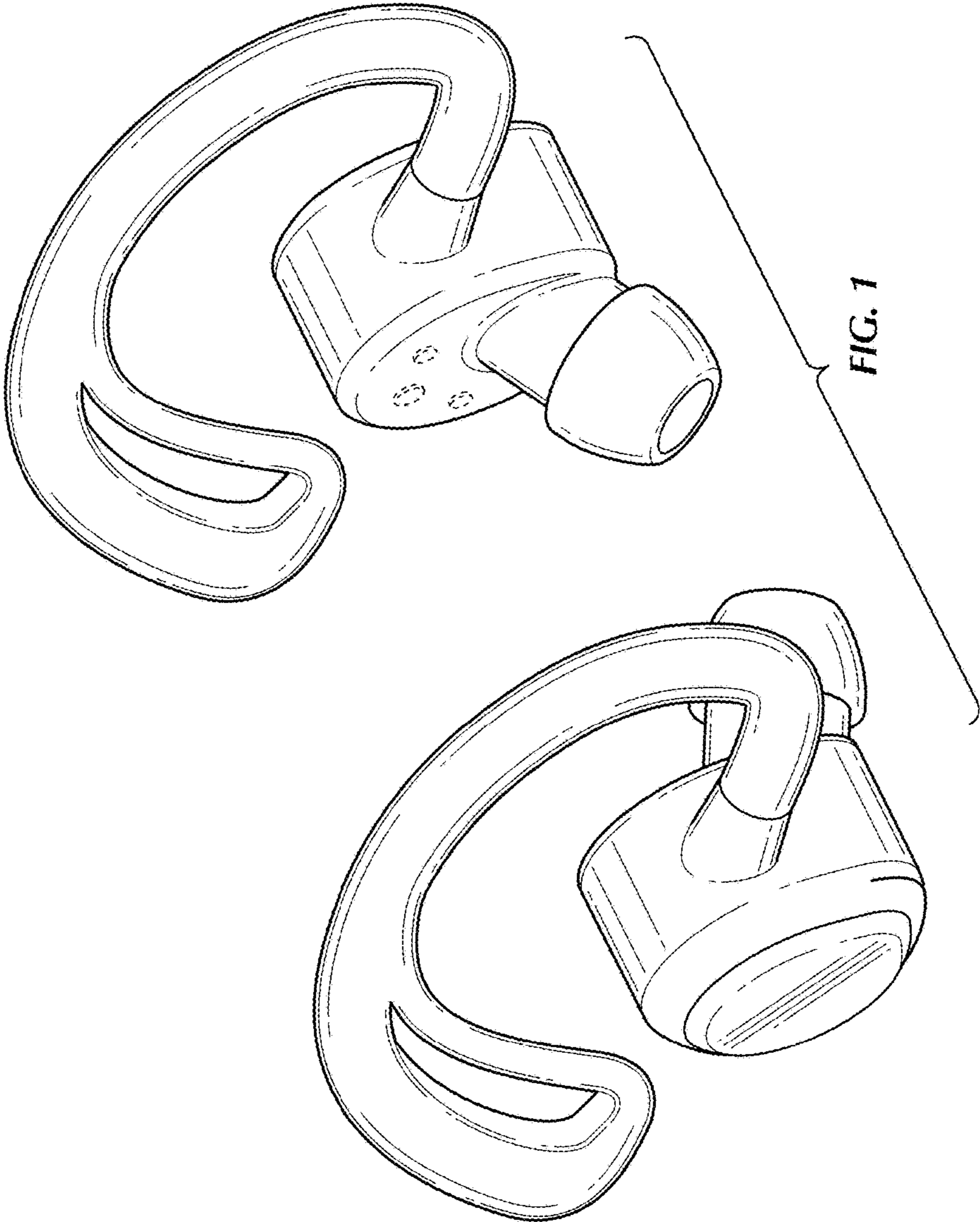
References Cited

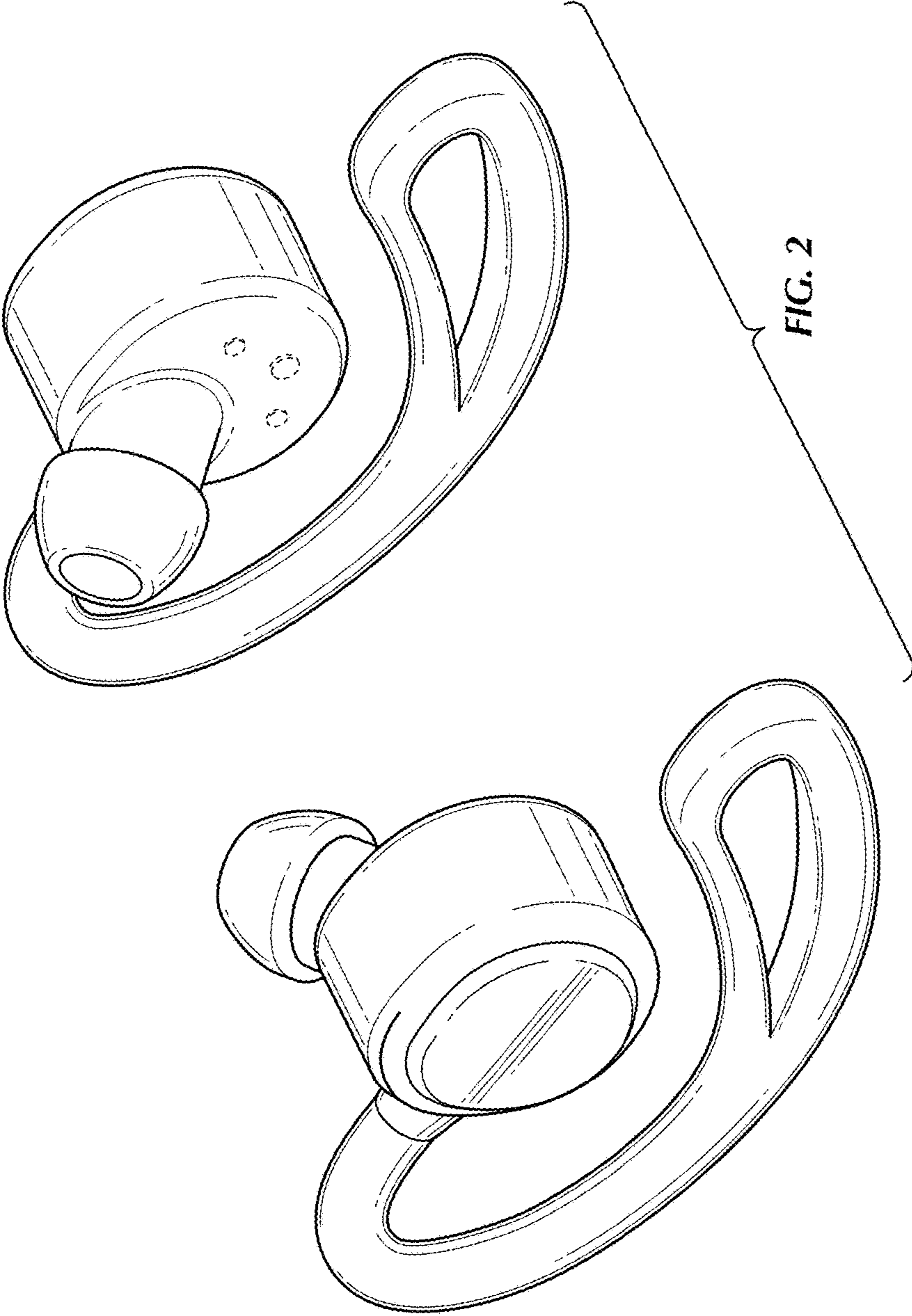
U.S. PATENT DOCUMENTS

D582,389 S * 12/2008 Bose D14/205
 D582,889 S * 12/2008 Bose D14/205
 D584,284 S * 1/2009 Carr D14/206
 D585,881 S * 2/2009 Nam D14/205
 D626,117 S * 10/2010 Lowry D14/223
 D634,305 S * 3/2011 Hoggarth D14/223
 D641,008 S * 7/2011 Lee D14/223
 D641,737 S * 7/2011 Krauss D14/205
 D645,458 S * 9/2011 Silvestri H04R 1/1016
 D655,693 S * 3/2012 Silvestri D14/223
 D664,124 S * 7/2012 Smith D14/223
 D666,580 S * 9/2012 Lee D14/223
 D694,220 S * 11/2013 Lee D14/223
 8,776,801 B2 * 7/2014 McIntosh A61F 11/08
 9,055,369 B2 * 6/2015 Yang H04R 1/10
 D744,456 S * 12/2015 Pedersen D14/223
 D763,224 S * 8/2016 Silvestri H04R 1/1016
 D770,426 S * 11/2016 LaBerge H04R 1/1016
 D773,439 S * 12/2016 Walker D14/205
 D779,461 S * 2/2017 Smith D14/223
 D780,157 S * 2/2017 Ugglä D14/205
 D786,216 S * 5/2017 Silva D14/205
 D786,834 S * 5/2017 Samrelius D14/223
 D806,879 S * 1/2018 Horbinski D24/174

D809,487 S * 2/2018 Lee D14/223
 D814,443 S * 4/2018 Sandanger A61F 11/08
 9,949,014 B2 * 4/2018 Cramer H04R 1/1041
 D828,825 S * 9/2018 Samrelius D14/223
 D828,826 S * 9/2018 Schaal D14/223
 2003/0044038 A1 * 3/2003 Shirata H04R 1/105
 2011/0022121 A1 1/2011 Meskins
 2011/0155147 A1 * 6/2011 McIntosh A61F 11/08
 2012/0087532 A1 * 4/2012 Yang H04R 1/10
 2012/0114160 A1 * 5/2012 Lin H04R 1/1091
 2012/0224731 A1 9/2012 Zellner
 2012/0230510 A1 9/2012 Dinescu et al.
 2012/0230532 A1 9/2012 Howell
 2013/0010997 A1 * 1/2013 Tanaka A61B 5/01
 2014/0073256 A1 3/2014 Newham et al.
 2014/0219467 A1 8/2014 Kurtz
 2014/0376735 A1 12/2014 Asrani et al.
 2016/0014492 A1 1/2016 McCarthy et al.
 2016/0072558 A1 3/2016 Hirsch et al.
 2016/0073186 A1 * 3/2016 Searl H04R 1/1016
 2017/0105679 A1 * 4/2017 Gil A61B 5/02055
 2018/0035193 A1 * 2/2018 Tsubone H04R 1/1016

* cited by examiner





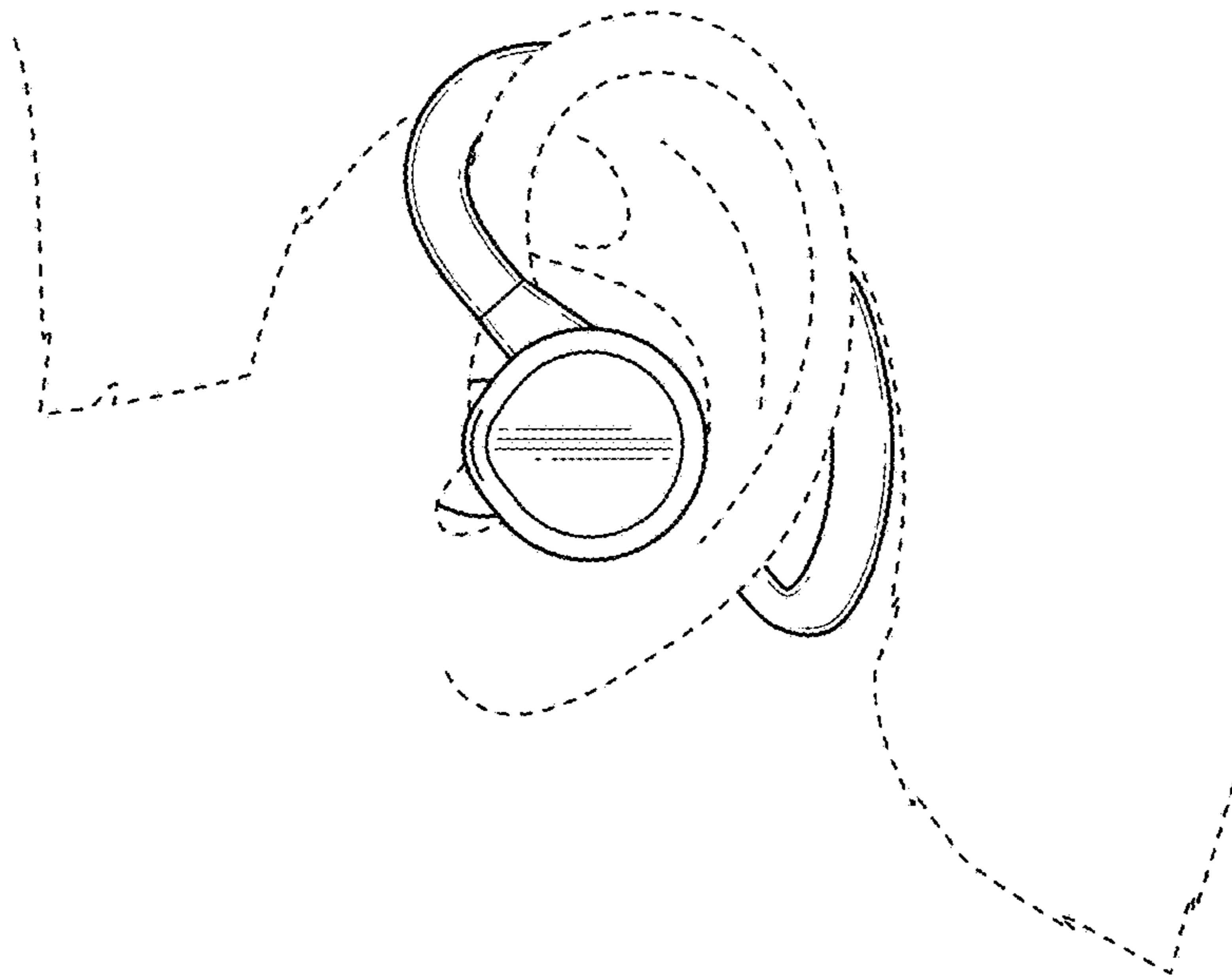


FIG. 3

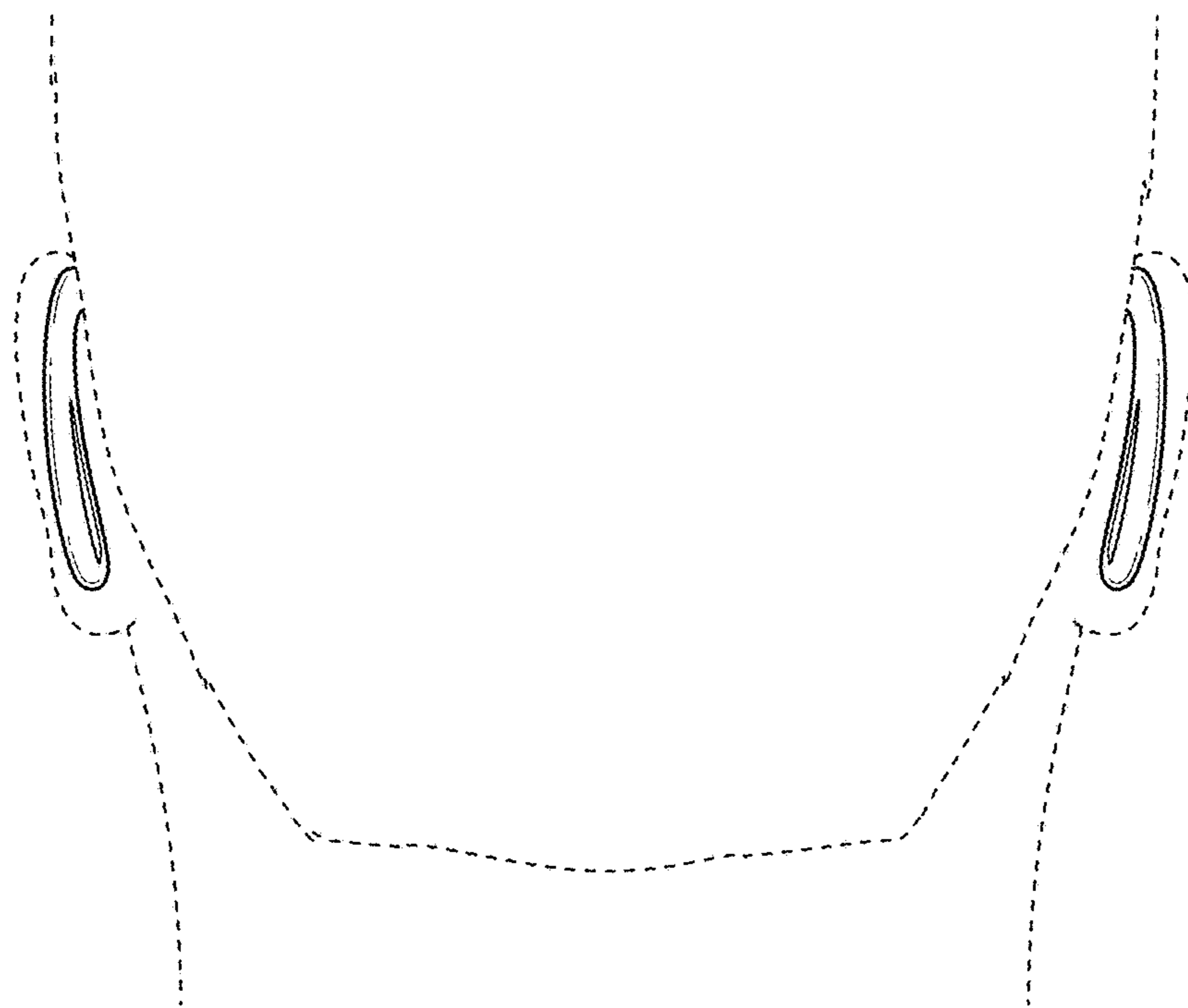


FIG. 4

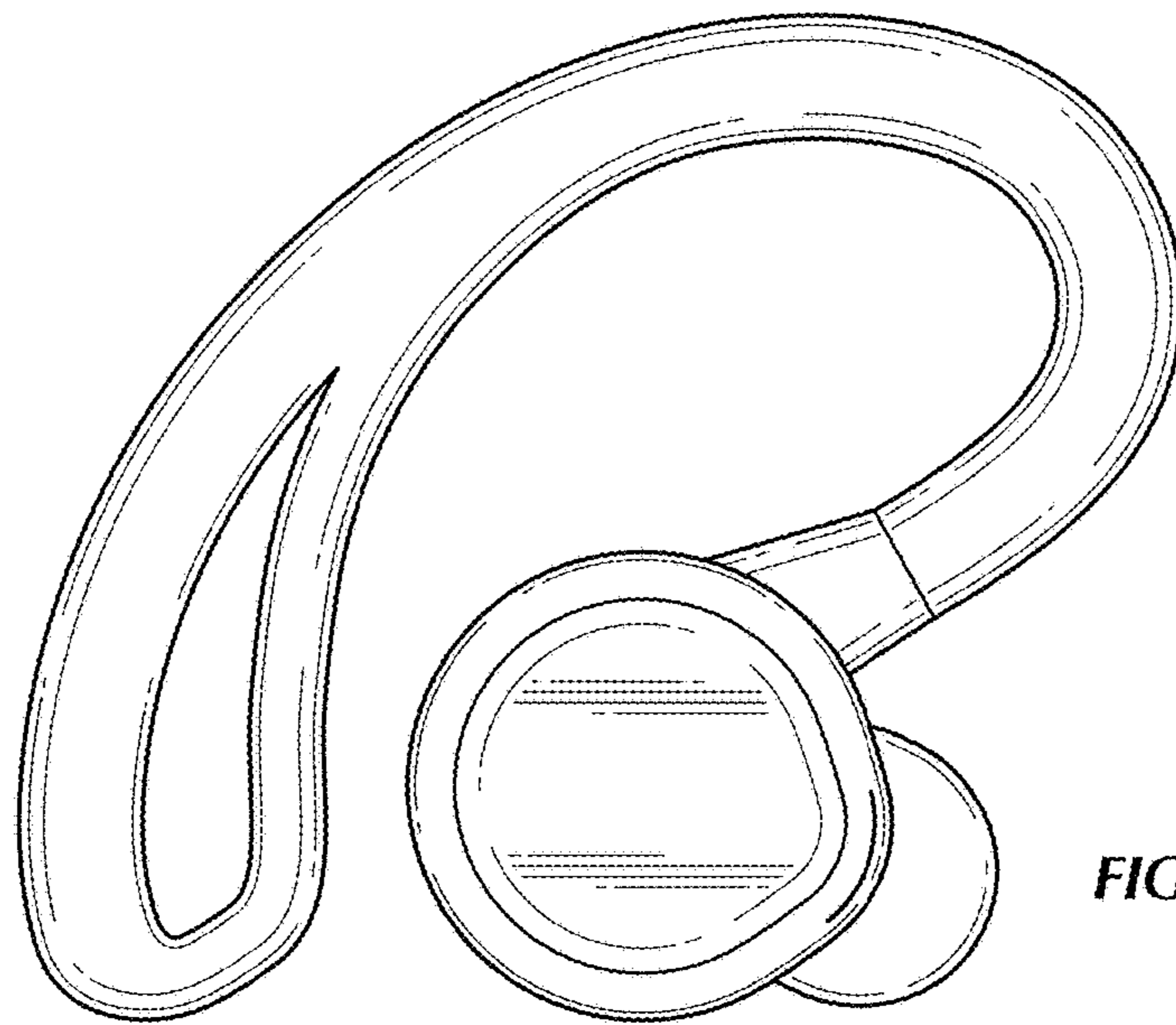


FIG. 5

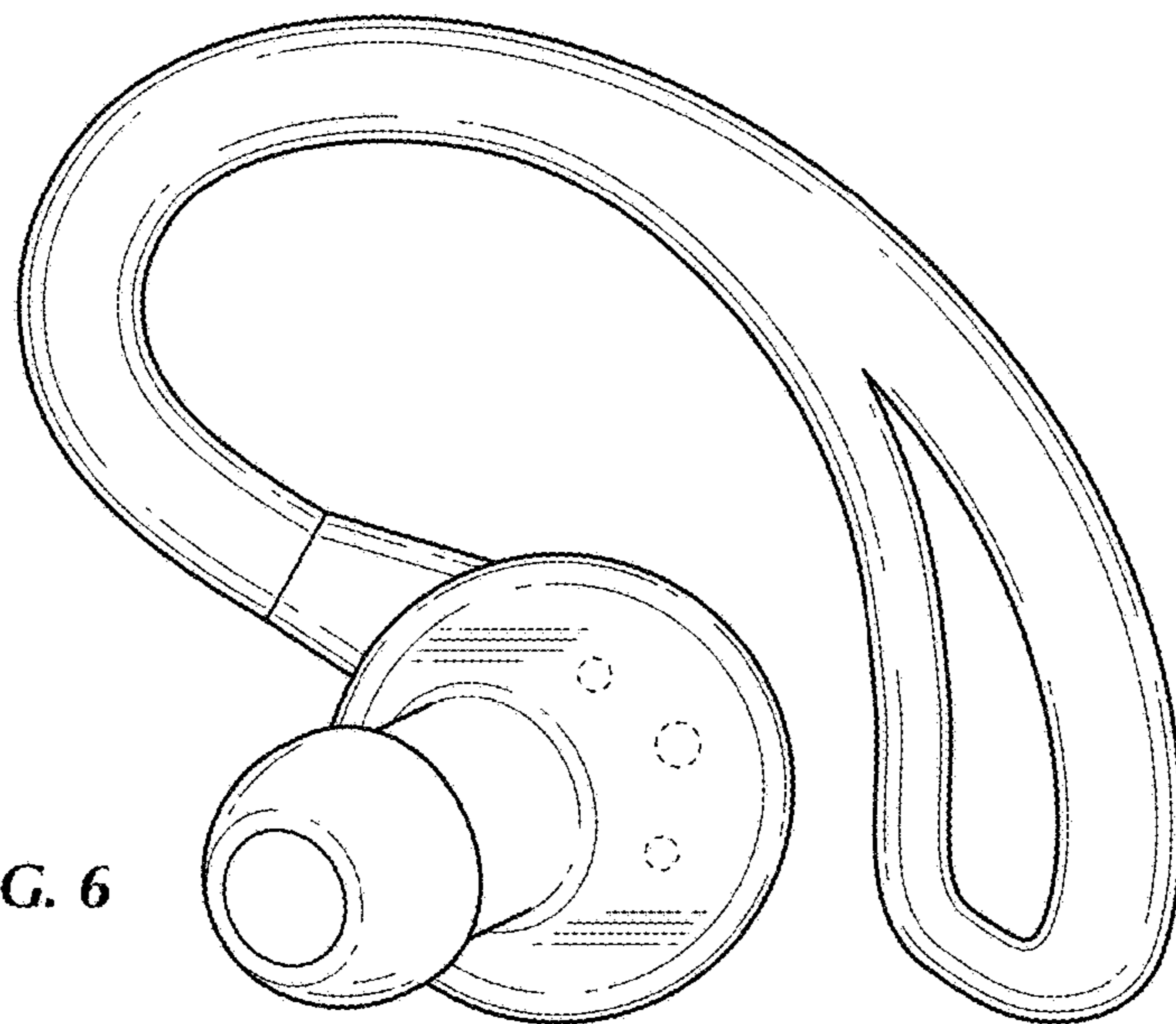


FIG. 6

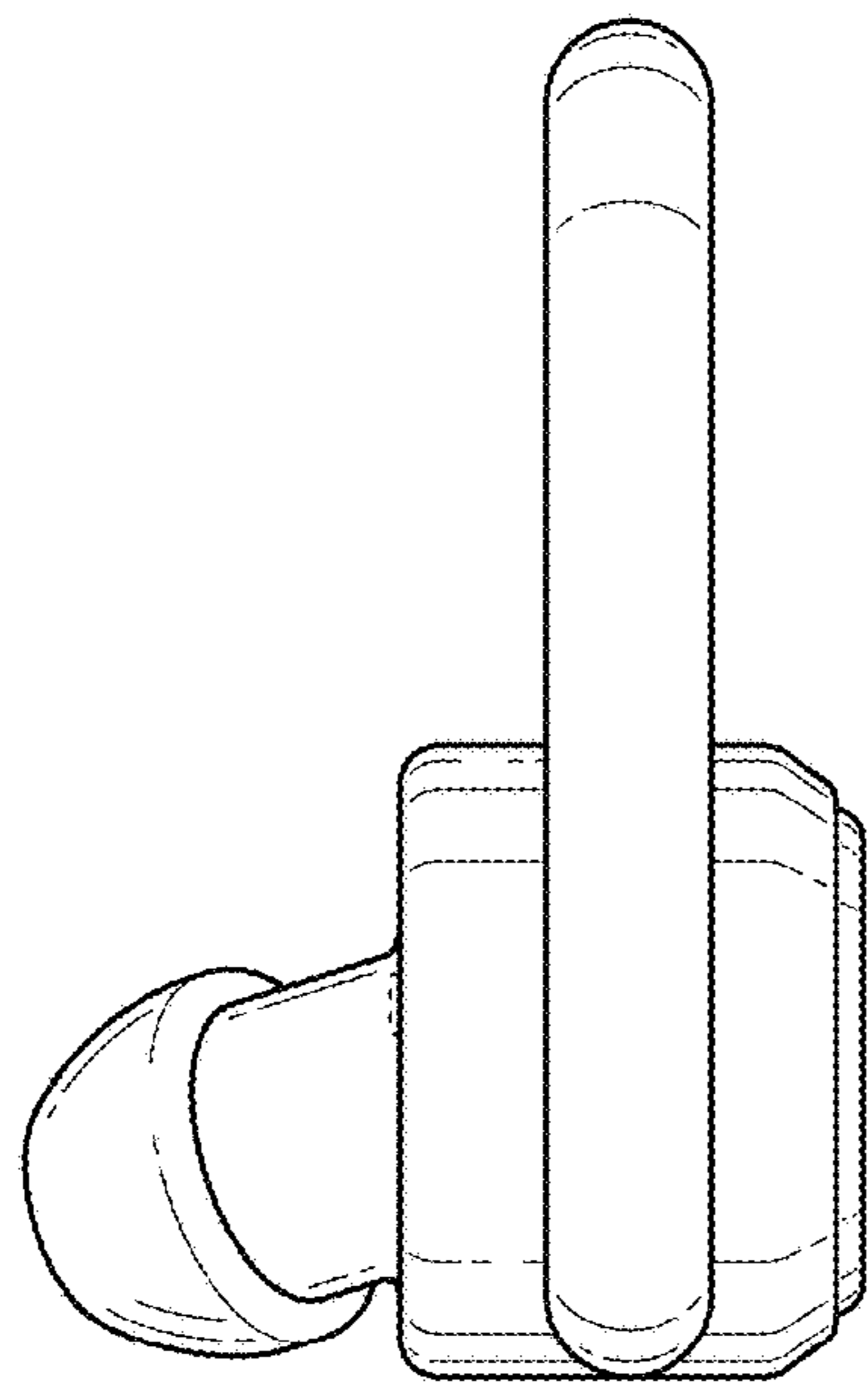


FIG. 7

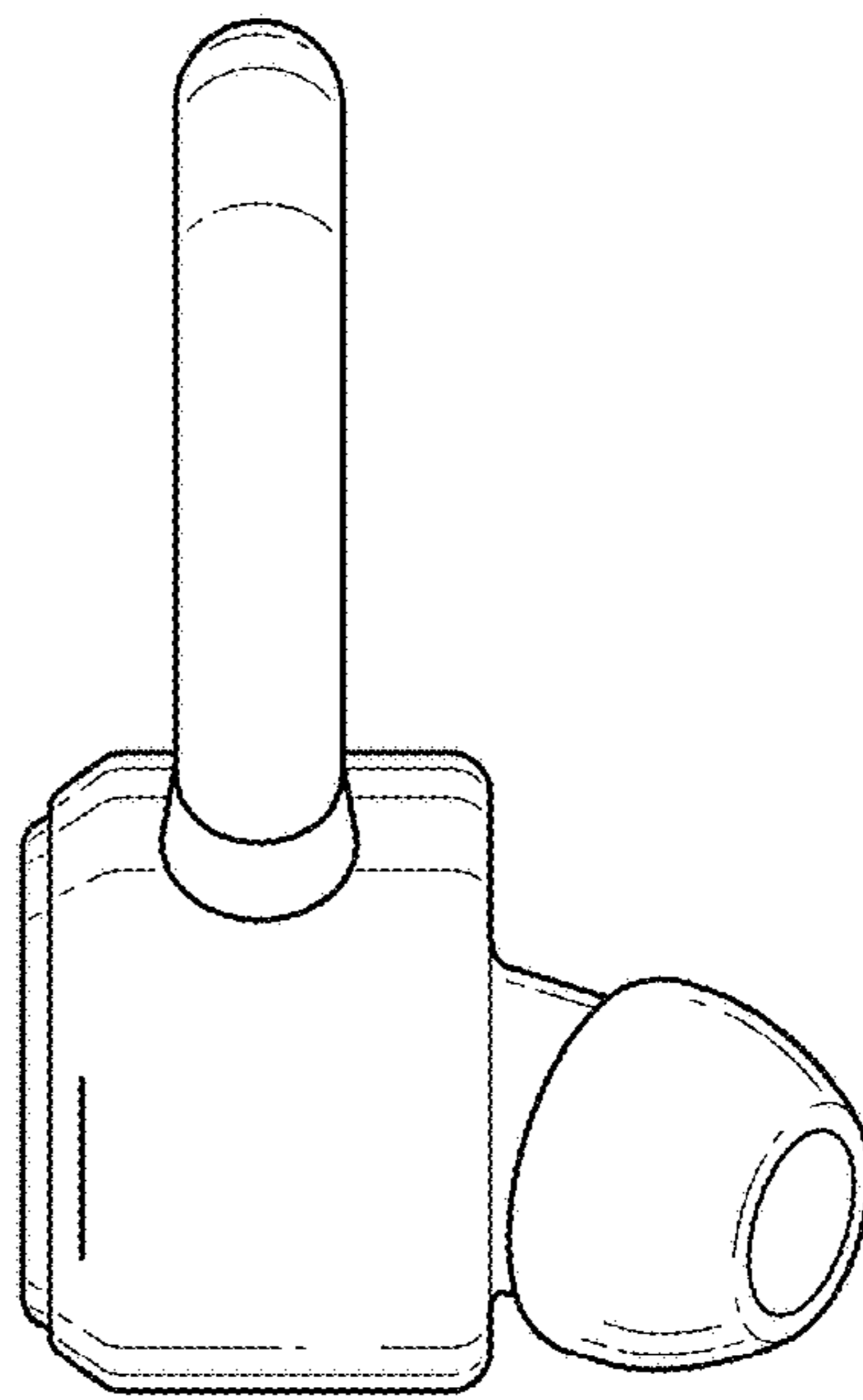


FIG. 8

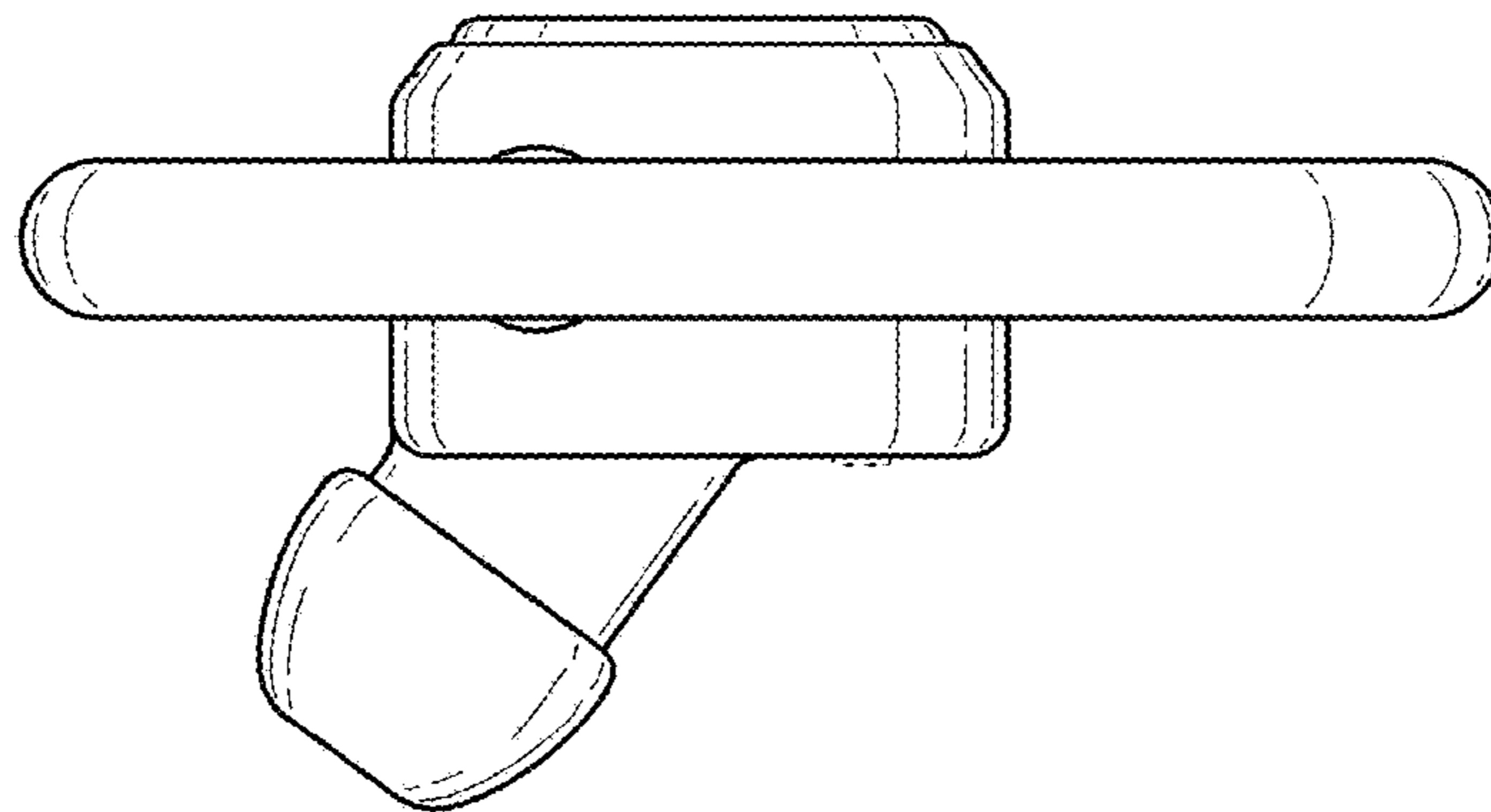


FIG. 9

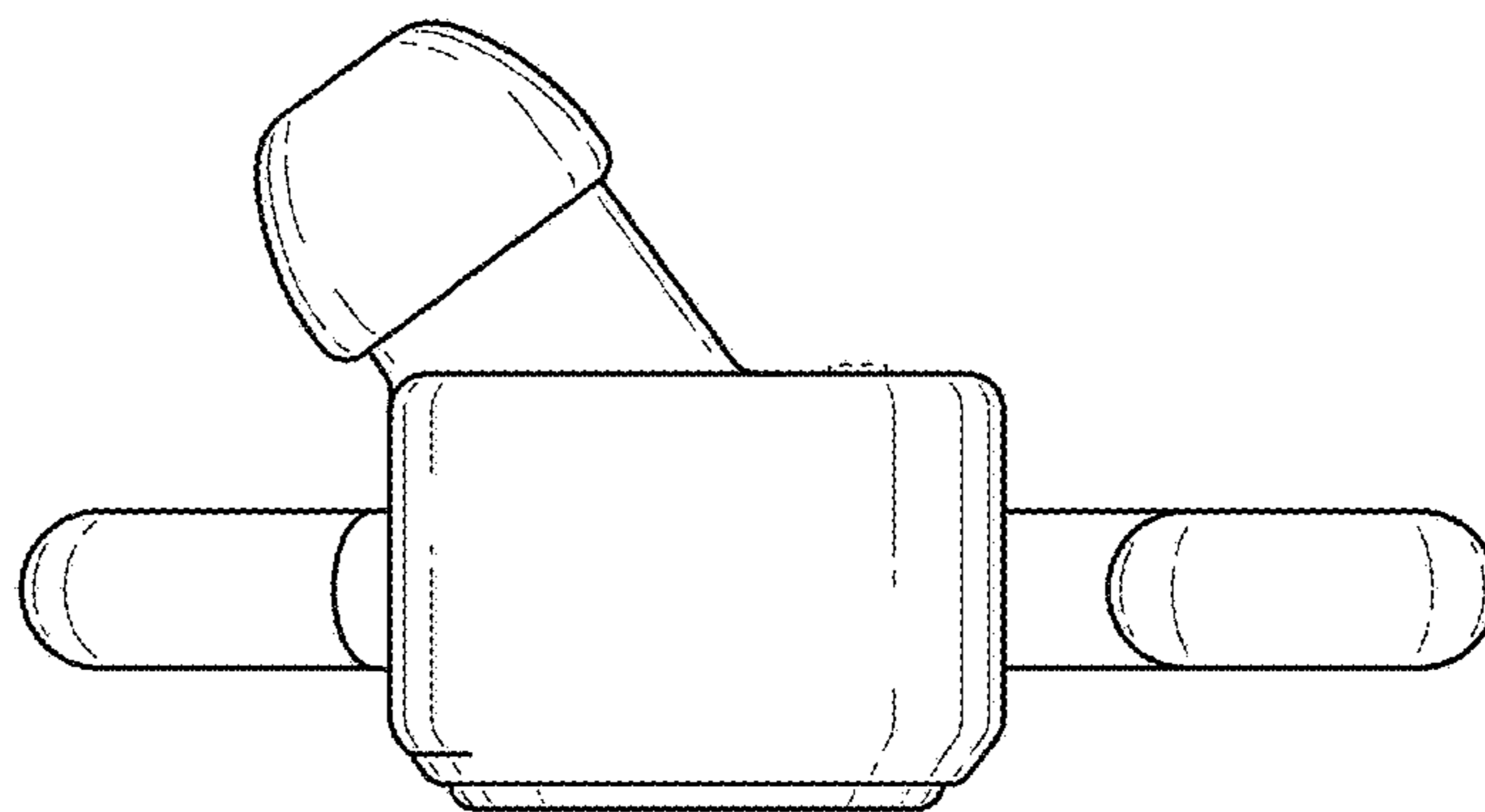


FIG. 10