



US00D852783S

(12) **United States Design Patent**
Hueber

(10) **Patent No.:** **US D852,783 S**

(45) **Date of Patent:** **** Jul. 2, 2019**

(54) **PAIR OF EARPHONES**

(71) Applicant: **DECATHLON**, Villeneuve d'Ascq (FR)

(72) Inventor: **Quentin Hueber**, Ambilly (FR)

(73) Assignee: **DECATHLON**, Villeneuve d'Ascq (FR)

(**) Term: **15 Years**

(21) Appl. No.: **29/623,516**

(22) Filed: **Oct. 25, 2017**

(30) **Foreign Application Priority Data**

Apr. 26, 2017 (EM) 003874585-0001

(51) **LOC (11) Cl.** **14-01**

(52) **U.S. Cl.**
USPC **D14/223**; D14/205

(58) **Field of Classification Search**
USPC D14/205, 223, 240, 199; 181/129, 130, 181/135; 379/430, 431; 381/380, 381, 381/374, 74; 455/90.3, 575.1, 569.1
CPC H04R 1/10; H04R 25/00; H04R 25/02; H04R 1/1058; H04R 1/1016; H04R 1/1066; H04R 5/033; H04R 5/0335
See application file for complete search history.

(56) **References Cited**

U.S. PATENT DOCUMENTS

- 2,248,837 A * 7/1941 Walters H04R 25/652
181/130
- 2,430,229 A * 11/1947 Kelsey H04R 1/1058
181/130
- 3,440,365 A * 4/1969 Hazell H04M 1/05
379/430
- D338,530 S * 8/1993 Oberlander D24/174
- 5,410,608 A * 4/1995 Lucey H04R 1/083
381/360

- D367,113 S * 2/1996 Weeks D24/174
- 5,654,530 A * 8/1997 Sauer H04R 25/652
181/130
- 6,386,314 B1 * 5/2002 Sheehan A61B 5/12
181/129
- 6,445,805 B1 * 9/2002 Grugel H04R 5/0335
181/129
- D466,497 S * 12/2002 Wikel D14/265
- 6,493,453 B1 * 12/2002 Glendon H04R 23/008
381/322
- D479,834 S * 9/2003 Salazar D14/205
- D512,410 S * 12/2005 Ng D14/192
- D524,295 S * 7/2006 Jacobson D14/218
- D538,268 S * 3/2007 Gibson D14/223
- D550,657 S * 9/2007 Gan D14/223

(Continued)

Primary Examiner — Paula Allen Greene

(74) *Attorney, Agent, or Firm* — Fross Zelnick Lehrman & Zissu, P.C.; Charles T. J. Weigell, Esq.

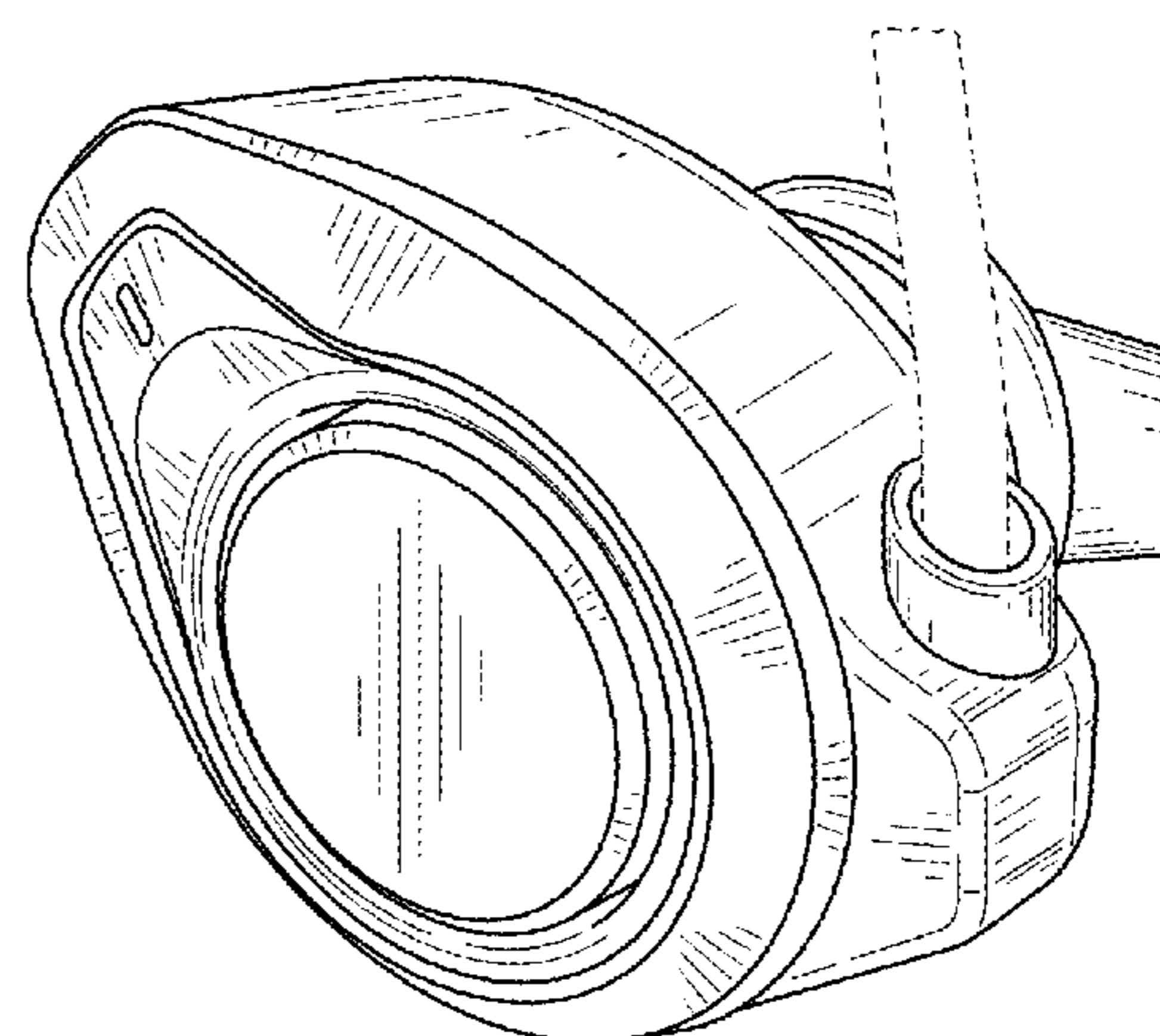
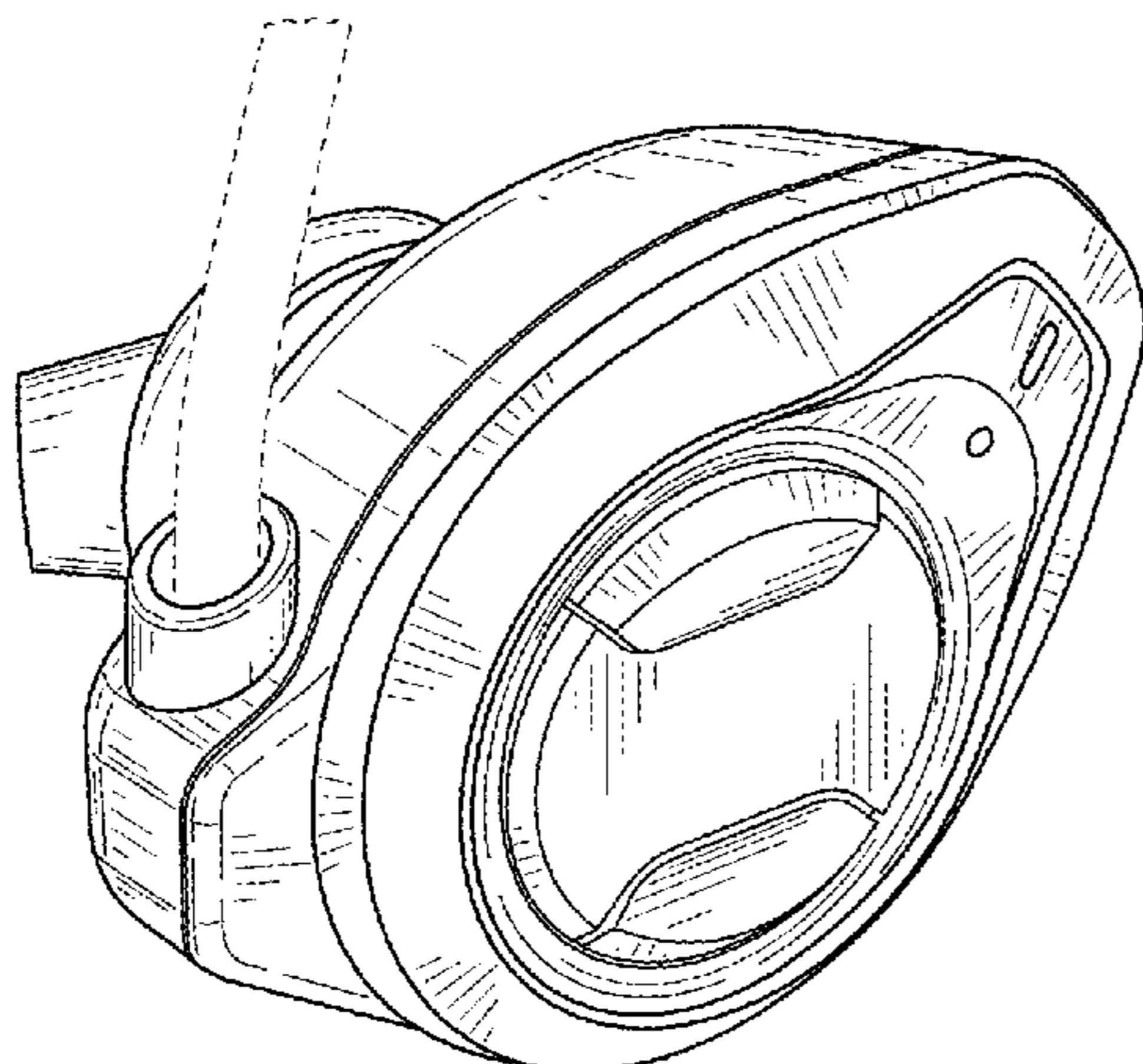
(57) **CLAIM**

The ornamental design for pair of earphones, as shown and described.

DESCRIPTION

FIG. 1 is a perspective view of the right earphone of a pair of earphones showing our new design;
 FIG. 2 is a perspective view of the left earphone of the pair of earphones shown in FIG. 1;
 FIG. 3 is a back perspective view of the right earphone shown in FIG. 1, with the left side being a mirror image thereof;
 FIG. 4 is a front view of the earphone shown in FIG. 1;
 FIG. 5 is a front view of the earphone shown in FIG. 2;
 FIG. 6 is a top view of the earphones shown in FIGS. 1 and 2, shown together and connected; and,
 FIG. 7 is a bottom view thereof.
 The broken lines depict environment that forms no part of the claimed design.

1 Claim, 5 Drawing Sheets



(56)

References Cited

U.S. PATENT DOCUMENTS

D557,009 S *	12/2007	Elmberg	D3/217	D697,058 S *	1/2014	Thompson	D14/205
D562,808 S *	2/2008	Gwee	D14/223	D711,858 S *	8/2014	Yang	D14/223
D568,304 S *	5/2008	Park	D14/240	D712,882 S *	9/2014	Wang	D14/223
D579,006 S *	10/2008	Kim	D14/223	8,831,266 B1 *	9/2014	Huang	H04R 1/1091 381/380
D592,182 S *	5/2009	Sanguinetti	D14/205	D717,772 S *	11/2014	Yang	D14/223
7,536,362 B2 *	5/2009	Starr	G06Q 30/0283 705/400	D718,286 S *	11/2014	Yang	D14/223
D597,084 S *	7/2009	Gondo	D14/223	D732,508 S *	6/2015	Funayama	D14/223
D598,003 S *	8/2009	Park	D14/149	D742,861 S *	11/2015	Miyake	D14/223
D599,781 S *	9/2009	Lee	D14/205	D746,792 S *	1/2016	Kim	D14/205
D626,117 S *	10/2010	Lowry	D14/223	D764,445 S *	8/2016	Czaniecki	D14/223
D631,470 S *	1/2011	Yoneyama	D14/223	D781,269 S *	3/2017	Choe	D14/223
D634,300 S *	3/2011	Yang	D14/206	D787,477 S *	5/2017	Lee	D14/223
D641,010 S *	7/2011	Kwon	D14/223	D789,909 S *	6/2017	Hung	D14/223
D641,011 S *	7/2011	Gondo	D14/206	D790,501 S *	6/2017	Wang	D14/205
D652,822 S *	1/2012	Lee	D14/223	D795,225 S *	8/2017	Sumii	D14/223
D666,581 S *	9/2012	Perez	D14/223	D795,835 S *	8/2017	Nagamine	D14/205
D668,244 S *	10/2012	Matsumura	D14/223	D801,301 S *	10/2017	Damboulev	D14/205
D673,140 S *	12/2012	Kelly	D14/223	D807,322 S *	1/2018	Damboulev	D14/205
				D830,992 S *	10/2018	Hardi	D14/205
				D831,620 S *	10/2018	Bian	D14/223

* cited by examiner

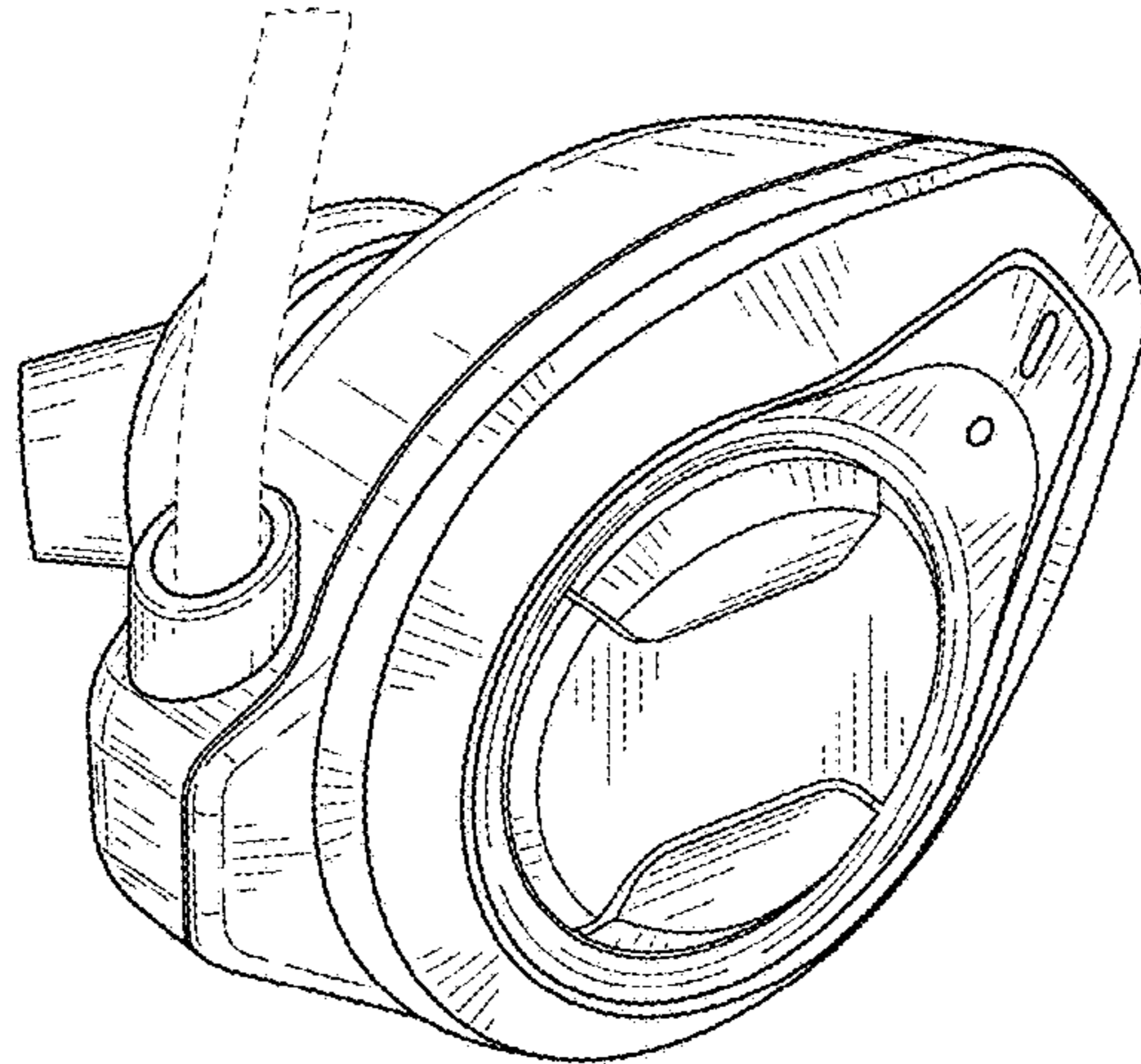


FIG. 1

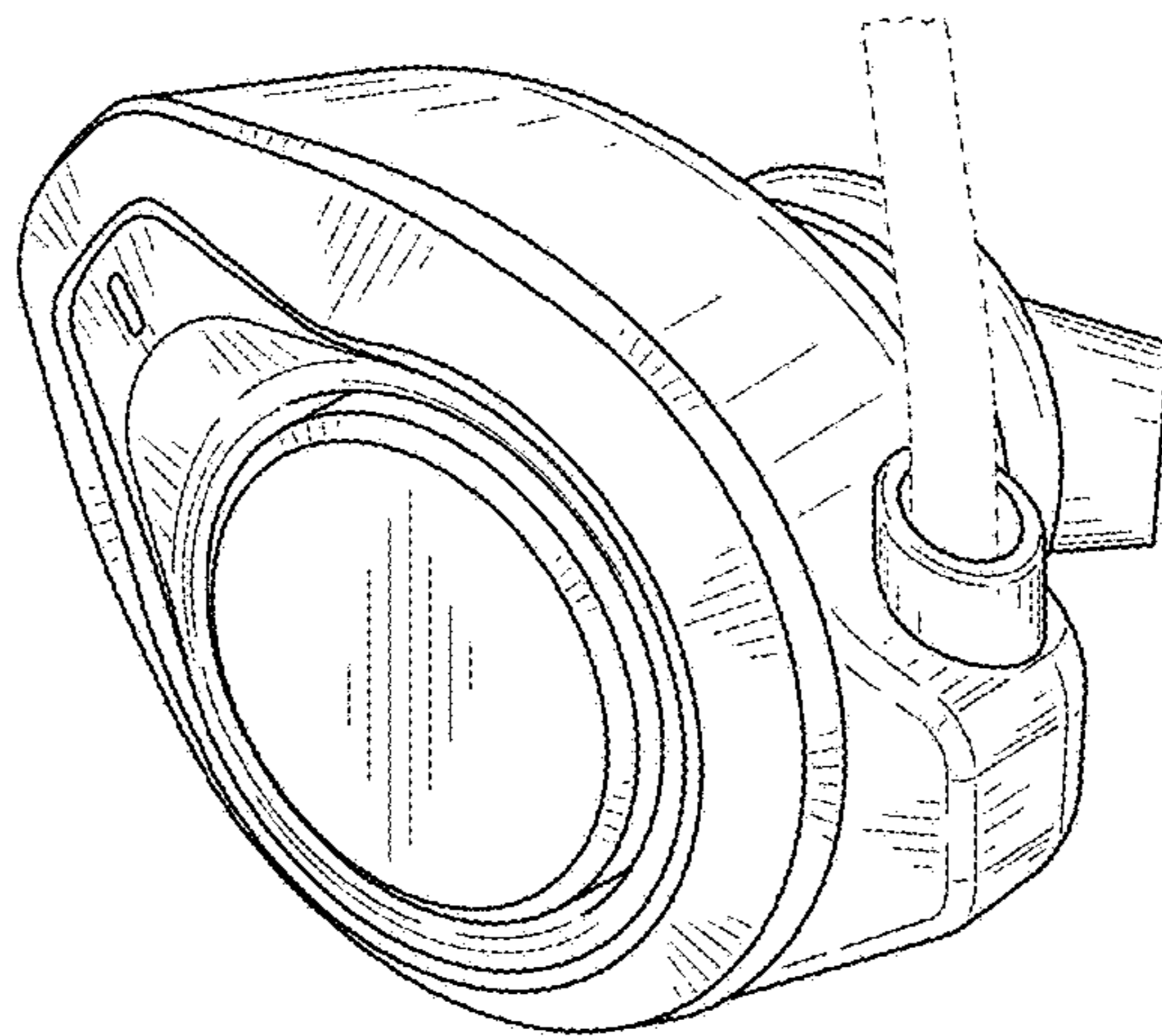


FIG. 2

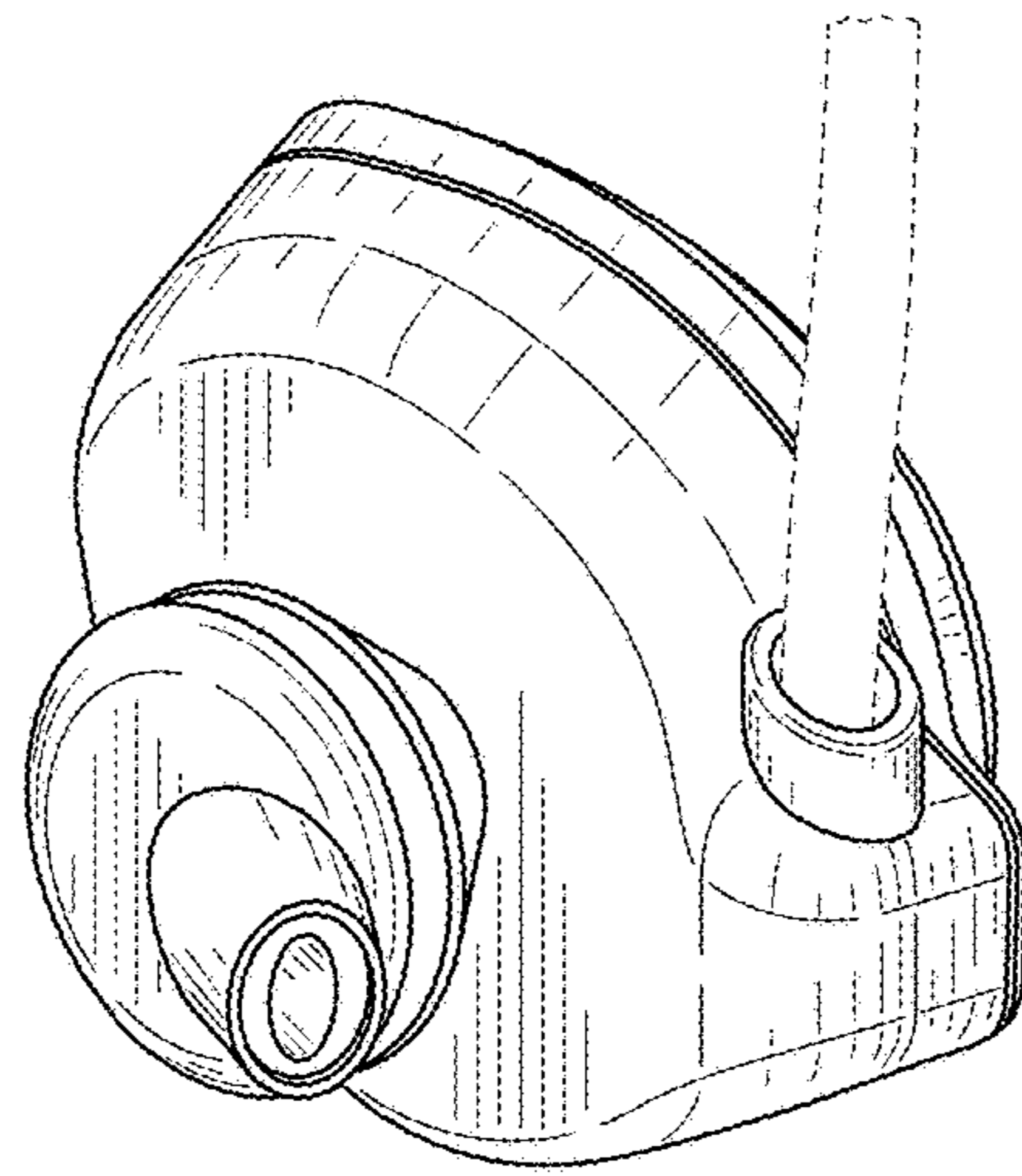


FIG. 3

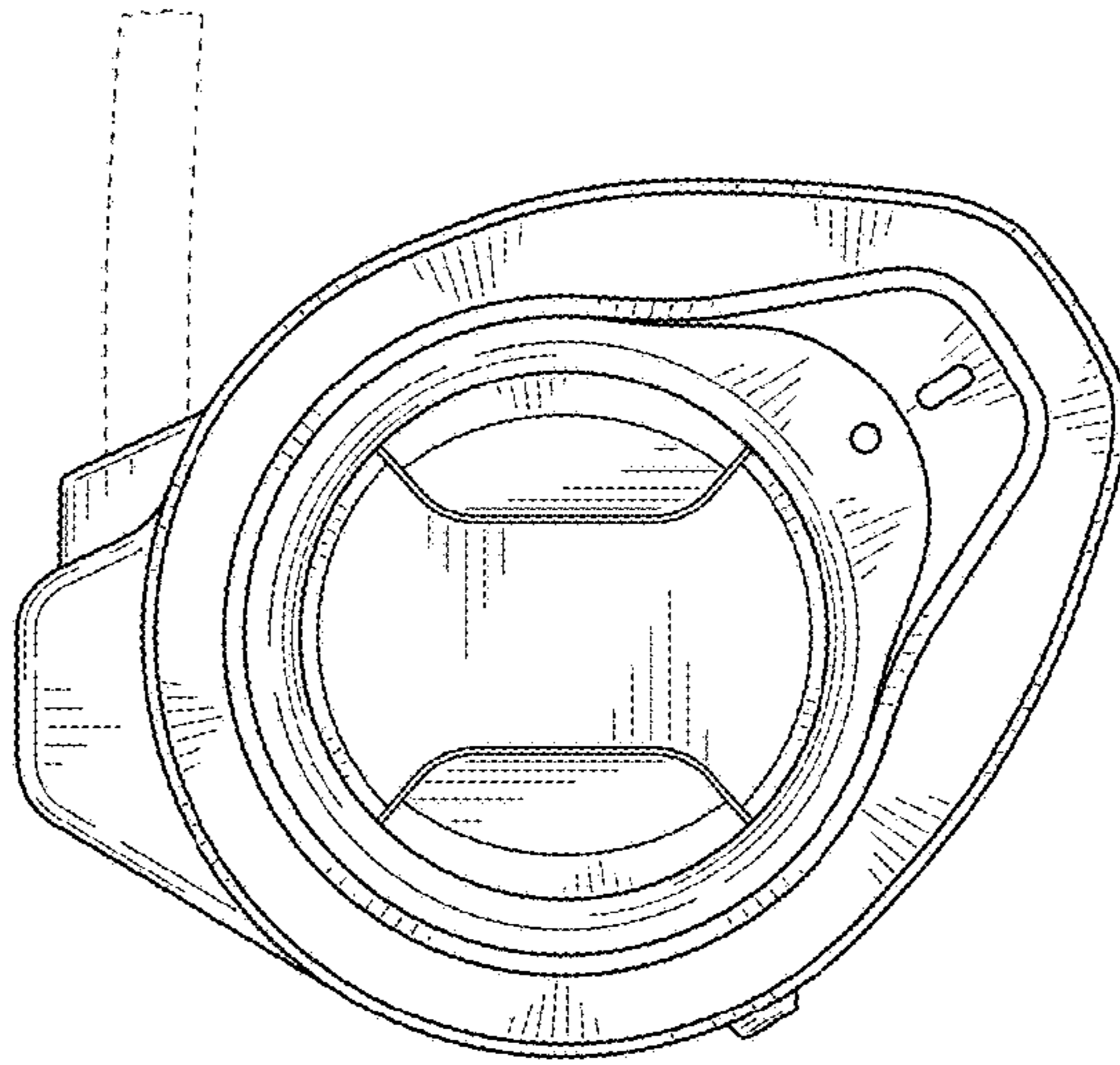


FIG. 4

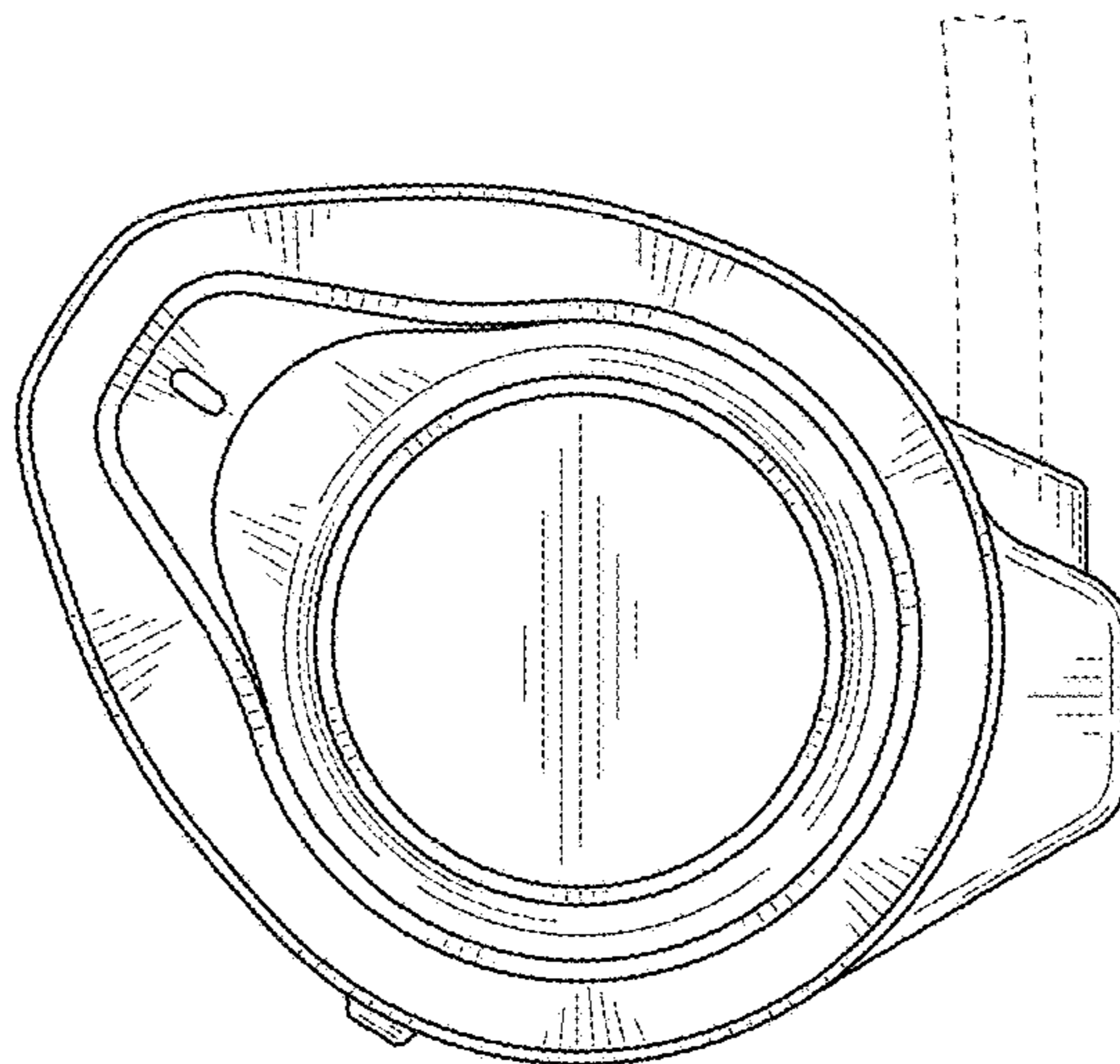


FIG. 5

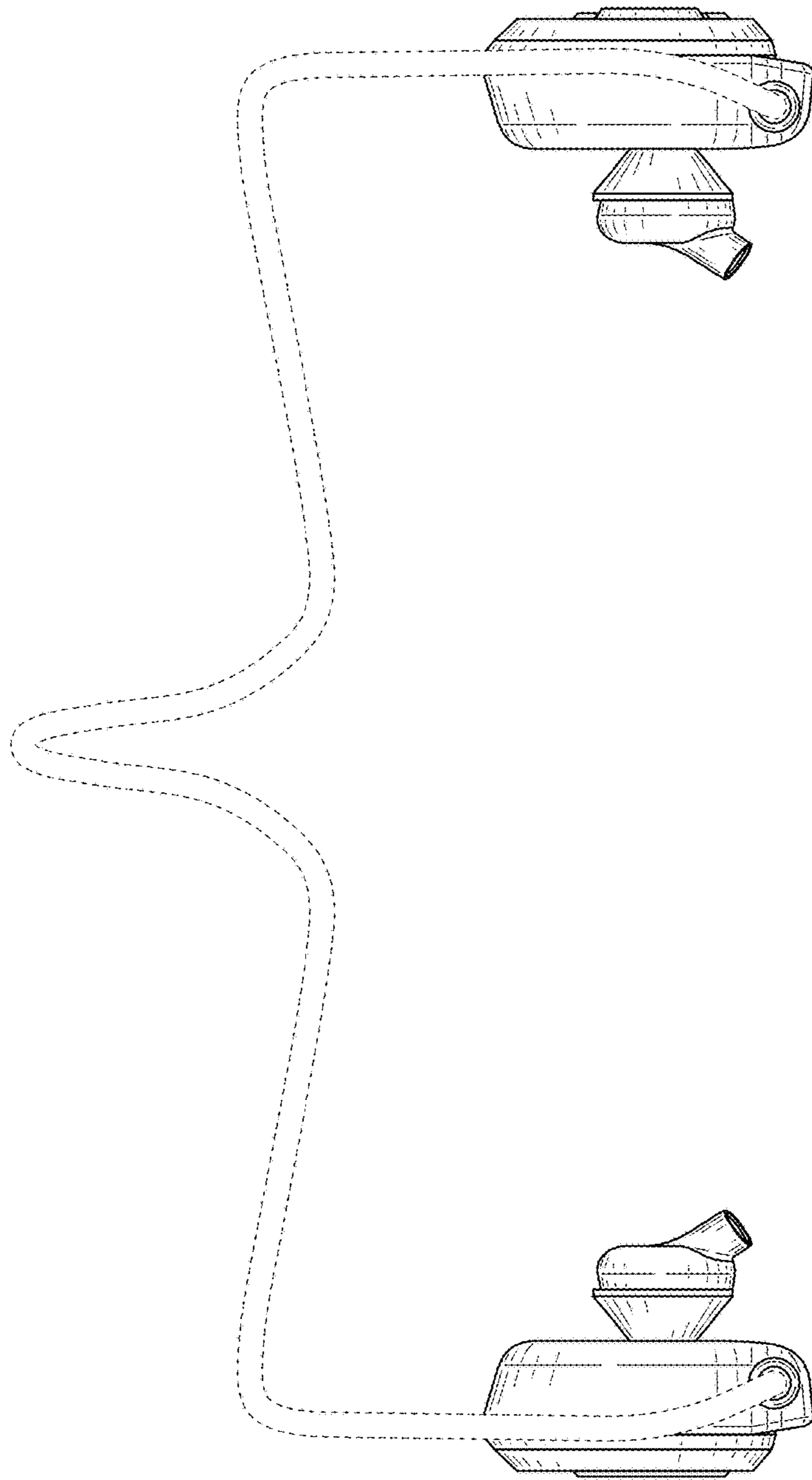


FIG. 6

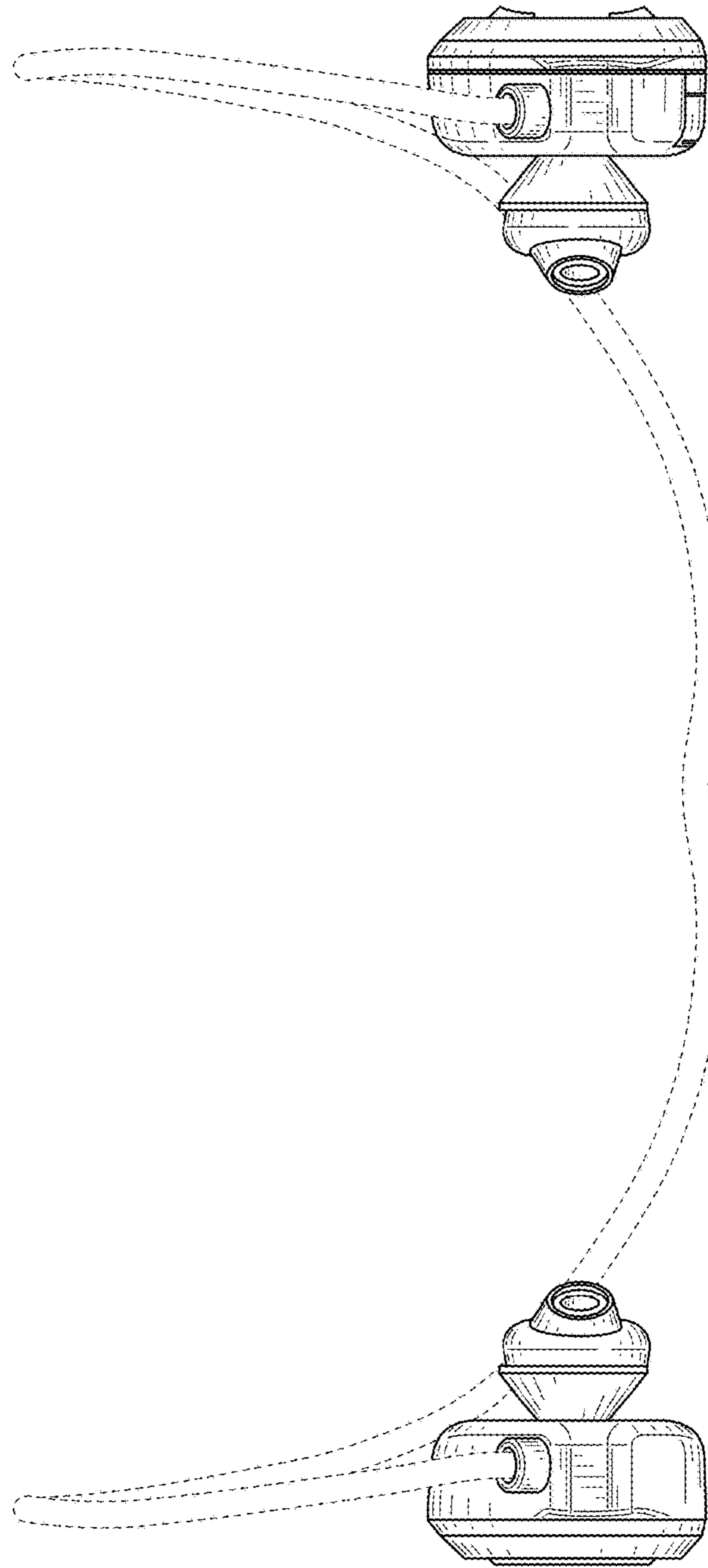


FIG. 7