



US00D852781S

(12) **United States Design Patent**
Hotson et al.

(10) **Patent No.:** **US D852,781 S**
(45) **Date of Patent:** **** Jul. 2, 2019**

(54) **SUBWOOFER ENCLOSURE**

- (71) Applicant: **Stillwater Designs and Audio, Inc.**,
Stillwater, OK (US)
- (72) Inventors: **Dennis A. Hotson**, Stillwater, OK (US);
Aaron L. Surratt, Stillwater, OK (US);
Kyle A. Ambrose, Stillwater, OK (US)
- (73) Assignee: **Stillwater Designs and Audio, Inc.**,
Stillwater, OK (US)
- (**) Term: **15 Years**
- (21) Appl. No.: **29/581,796**
- (22) Filed: **Oct. 21, 2016**
- (51) **LOC (11) Cl.** **14-03**
- (52) **U.S. Cl.**
USPC **D14/215**
- (58) **Field of Classification Search**
USPC D14/167, 168, 170–172, 188, 194–196,
D14/204, 209.1, 210–216, 219, 221, 222,
D14/224, 239, 496
CPC B60R 11/0217; G06F 1/1688; G10K 9/22;
G10K 11/004; H03F 1/327; H04M 1/03;
H04M 1/035; H04N 5/642; H04N
21/4852; H04R 1/02; H04R 1/06; H04R
1/021; H04R 1/025; H04R 1/026; H04R
1/028;

(Continued)

(56) **References Cited**

U.S. PATENT DOCUMENTS

- D258,359 S * 2/1981 Iijima D14/214
- D269,871 S * 7/1983 Ishizaki D14/214

(Continued)

FOREIGN PATENT DOCUMENTS

- AU 773216 B2 9/2004
- AU 2004205159 8/2006

(Continued)

OTHER PUBLICATIONS

Stillwater Designs and Audio, Inc. “CompRT Subwoofer Enclosures,” package insert, 2014, Stillwater Designs and Audio, Inc., Stillwater OK 74074 USA. The exact date this item was published is not known. However, this document was published prior to the effective filing date of the instant application, namely, Aug. 1, 2016, and prior to any foreign priority date of the present application. [retrieved on Apr. 11, 2017].

(Continued)

Primary Examiner — Keli L Hill

(74) *Attorney, Agent, or Firm* — Mary M. Lee

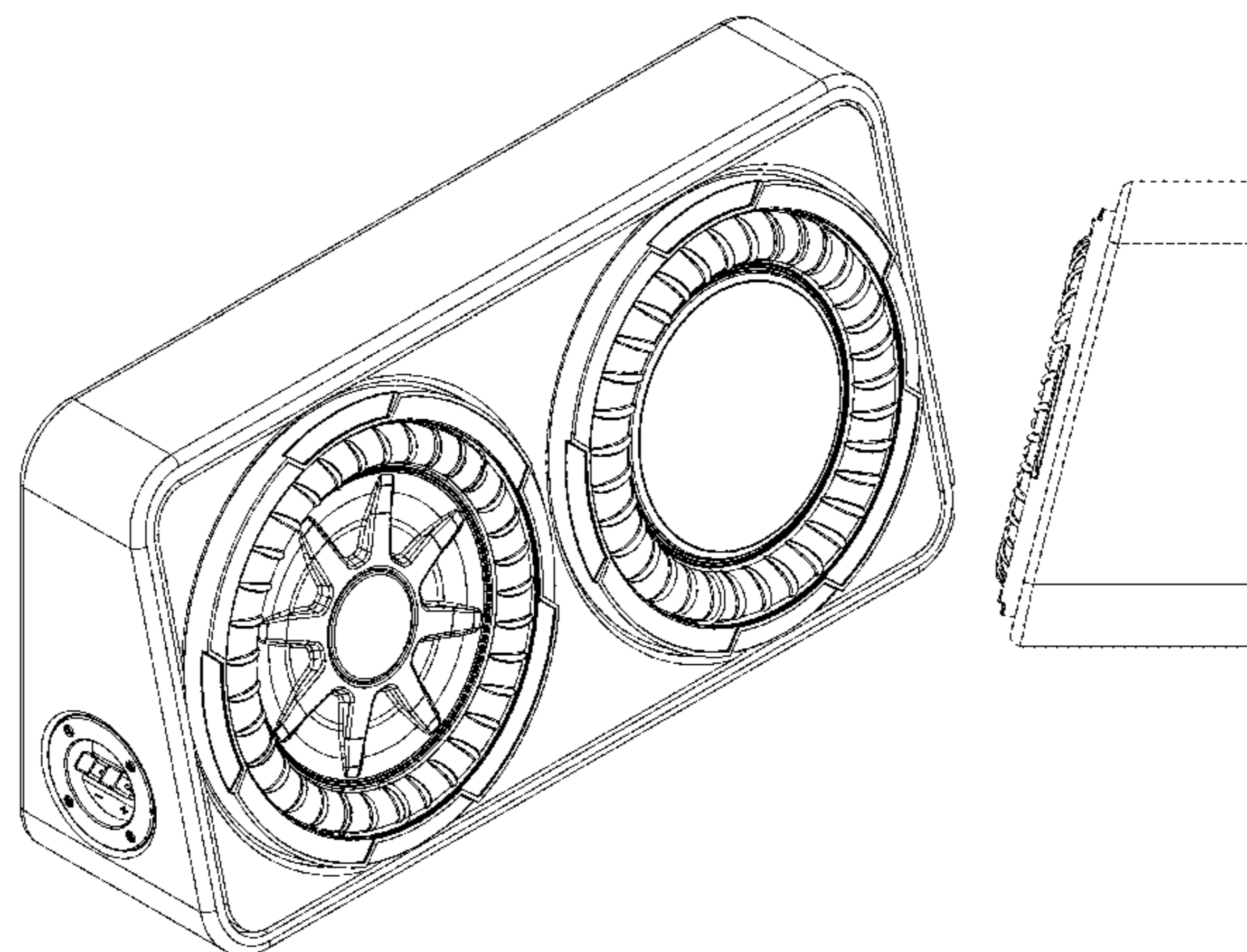
(57) **CLAIM**

The ornamental design for a subwoofer enclosure, as shown.

DESCRIPTION

FIG. 1 is a right frontal perspective view of a subwoofer enclosure showing our new design.
 FIG. 2 is a left frontal perspective view of the subwoofer enclosure shown in FIG. 1.
 FIG. 3 is a front elevational view of the subwoofer enclosure shown in FIG. 1.
 FIG. 4 is a rear elevational view of the subwoofer enclosure shown in FIG. 1.
 FIG. 5 is an elevational view of the left side of the subwoofer enclosure shown in FIG. 1.
 FIG. 6 is an elevational view of the right side of the subwoofer enclosure shown in FIG. 1.
 FIG. 7 is a plan view of the subwoofer enclosure shown in FIG. 1; and,
 FIG. 8 is an elevational view of the bottom of the subwoofer enclosure shown in FIG. 1.
 The broken lines in the drawings represent unclaimed portions of the subwoofer enclosure and form no part of the claimed claim.

1 Claim, 5 Drawing Sheets



(58) **Field of Classification Search**

CPC H04R 1/105; H04R 1/323; H04R 1/403;
 H04R 1/2803; H04R 1/2834; H04R 5/02;
 H04R 7/20; H04R 9/06; H04R 9/025;
 H04R 2201/021; H04R 2400/00; H04R
 2400/07; H04R 2499/11; H04R 2499/13;
 H04R 2499/15; H04S 3/00; H04S 7/30

See application file for complete search history.

D828,338 S * 9/2018 Moster D14/221
 2001/0031975 A1 5/2001 Irby et al.
 2003/0194104 A1 10/2003 Irby et al.
 2008/0075318 A1 3/2008 Zhao

FOREIGN PATENT DOCUMENTS

| | | |
|----|-----------|---------|
| CA | 2387939 | 9/2006 |
| CN | 101257733 | 8/2012 |
| EP | 1222839 | 7/2012 |
| ID | 018046 | 9/2006 |
| KR | 554818 | 2/2006 |
| MX | 227315 | 4/2005 |
| MY | 125083 | 7/2006 |
| SG | 87643 | 5/2005 |
| TH | 048559 | 3/2016 |
| TW | 498700 | 12/2002 |

(56) **References Cited**

U.S. PATENT DOCUMENTS

D305,333 S 1/1990 Irby
 D307,015 S 4/1990 Irby
 D324,389 S * 3/1992 Kamata D14/210
 D355,193 S 2/1995 Irby
 D433,006 S * 10/2000 Rashid D14/499
 D449,293 S 10/2001 Irby et al.
 D456,386 S 4/2002 Irby et al.
 D473,216 S 4/2003 Irby et al.
 6,611,604 B1 8/2003 Irby et al.
 6,731,773 B1 5/2004 Bergbower et al.
 6,968,069 B1 11/2005 Zhao
 D590,812 S * 4/2009 Muraoka D14/215
 7,916,890 B2 3/2011 Irby et al.
 D635,550 S * 4/2011 Chen D14/214
 3,023,688 A1 9/2011 Irby et al.
 D692,412 S * 10/2013 Silvera D14/215

OTHER PUBLICATIONS

Stillwater Designs and Audio, Inc. "CompRT Subwoofer Enclosures," package insert, 2015, Stillwater Designs and Audio, Inc., Stillwater OK 74074 USA. The exact date this item was published is not known. However, this document was published prior to the effective filing date of the instant application, namely, Aug. 1, 2016, and prior to any foreign priority date of the present application. [retrieved on Apr. 11, 2017].

* cited by examiner

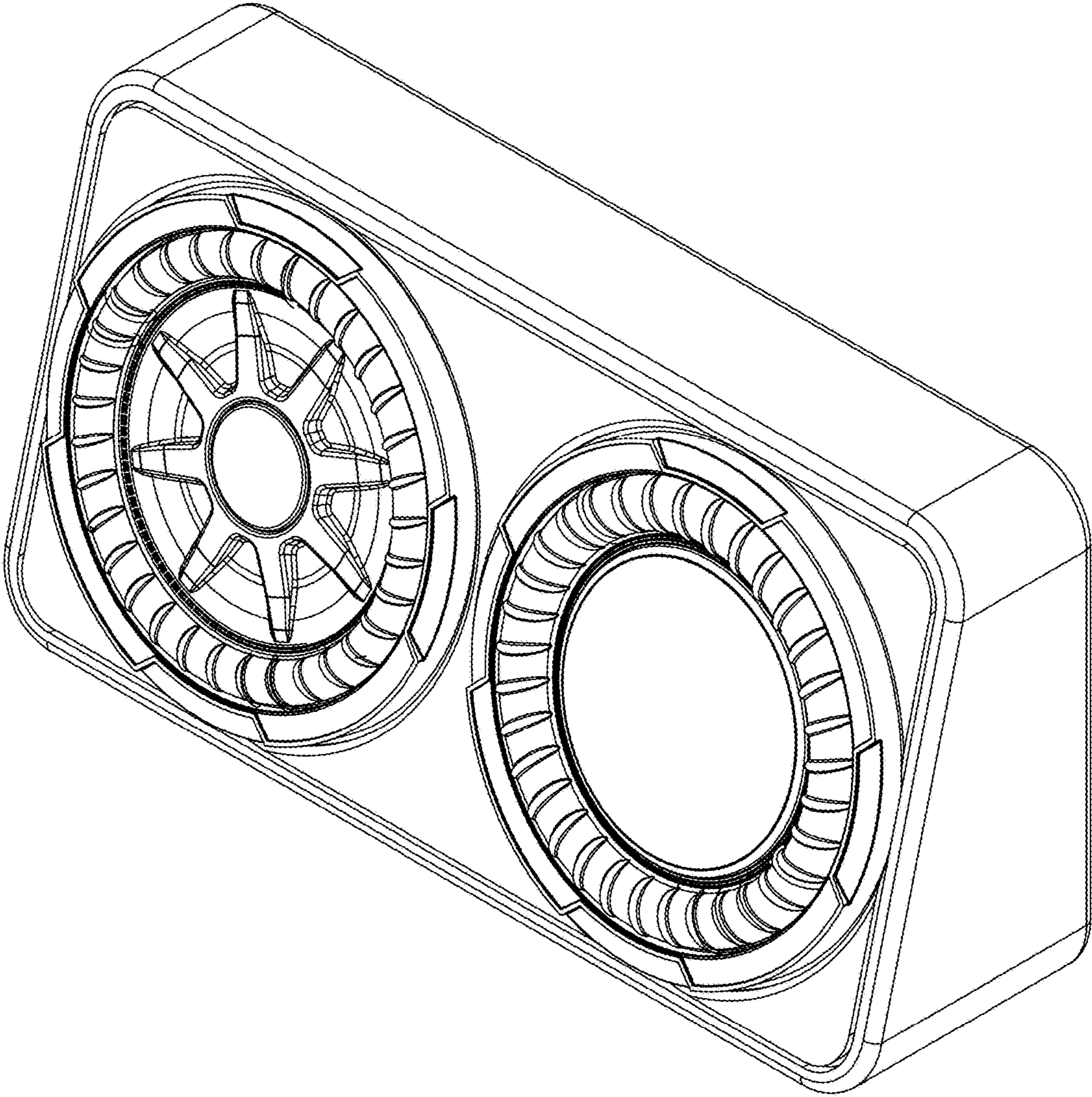


FIG. 1

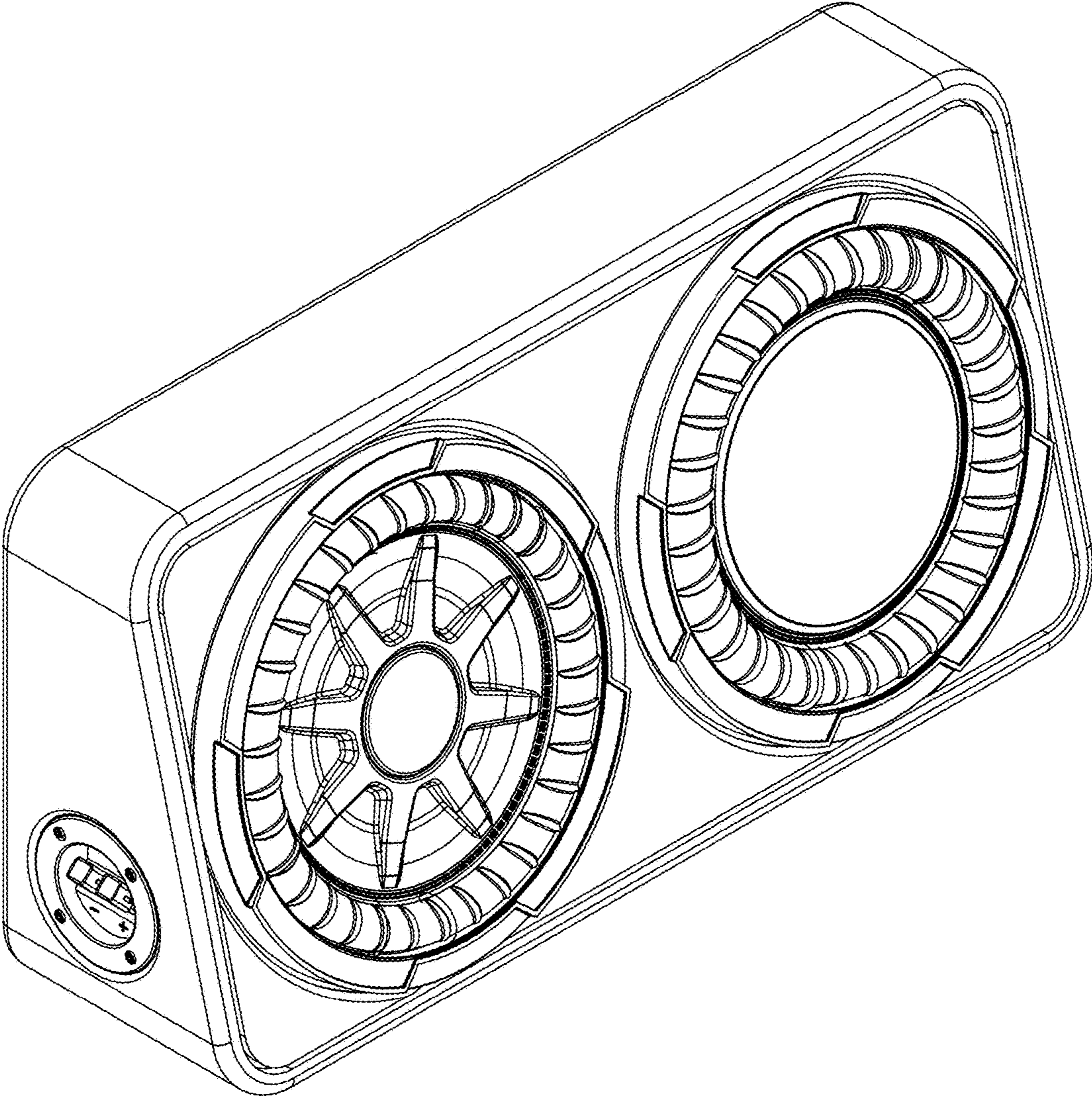


FIG. 2

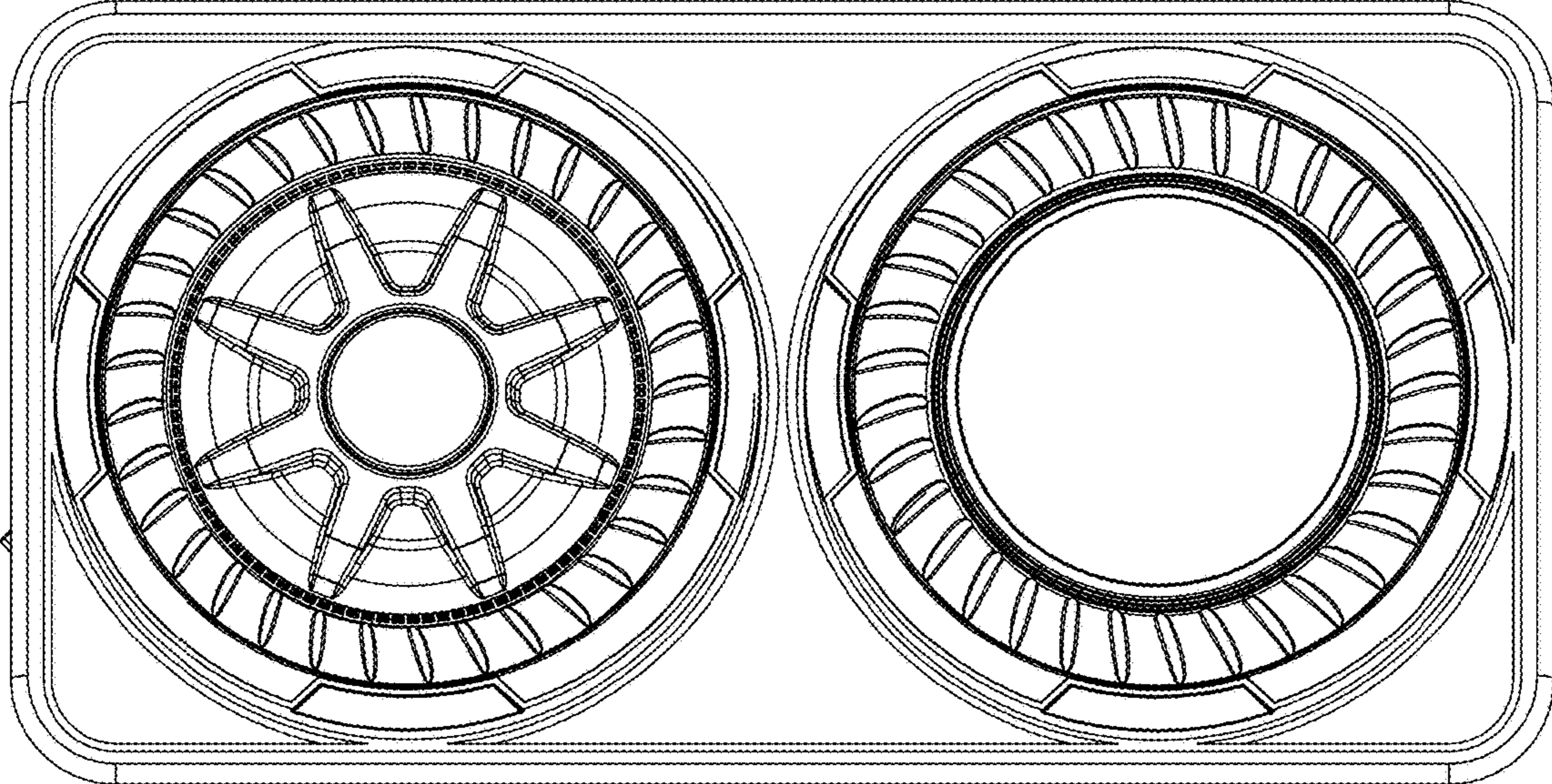


FIG. 3



FIG. 4

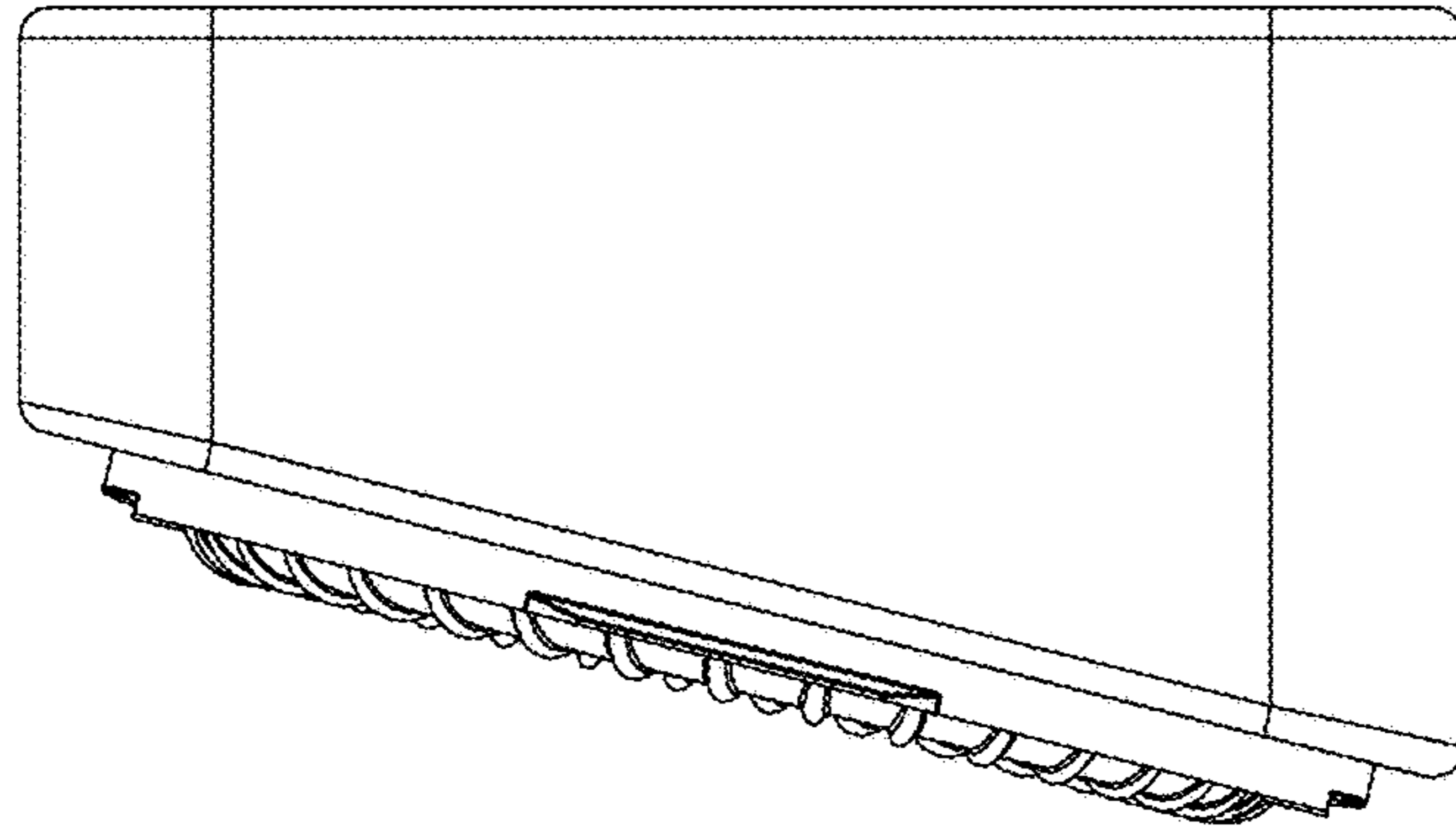


FIG. 6

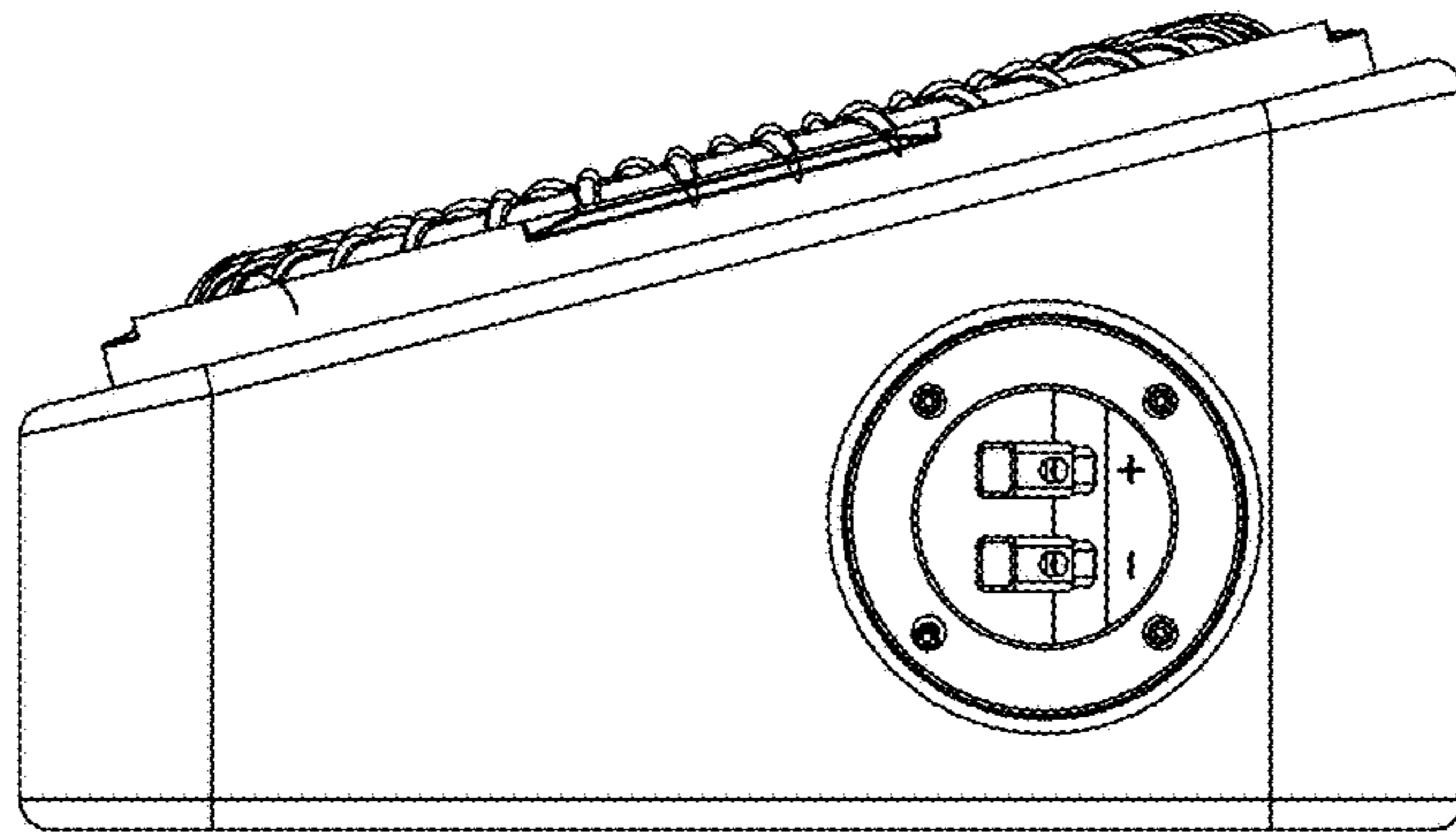


FIG. 5

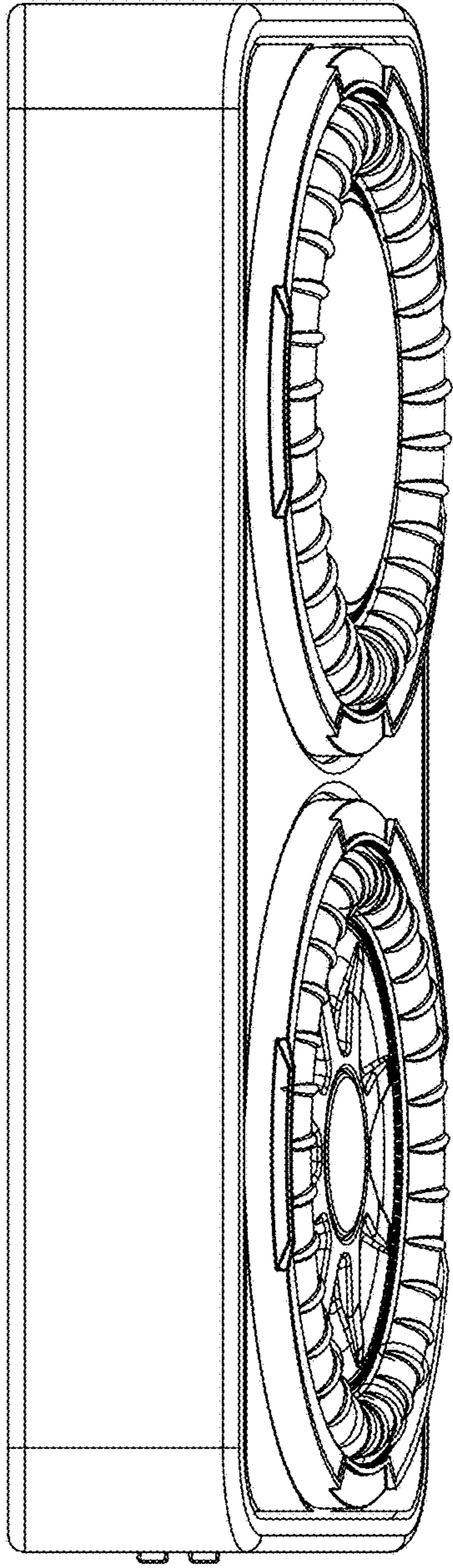


FIG. 7

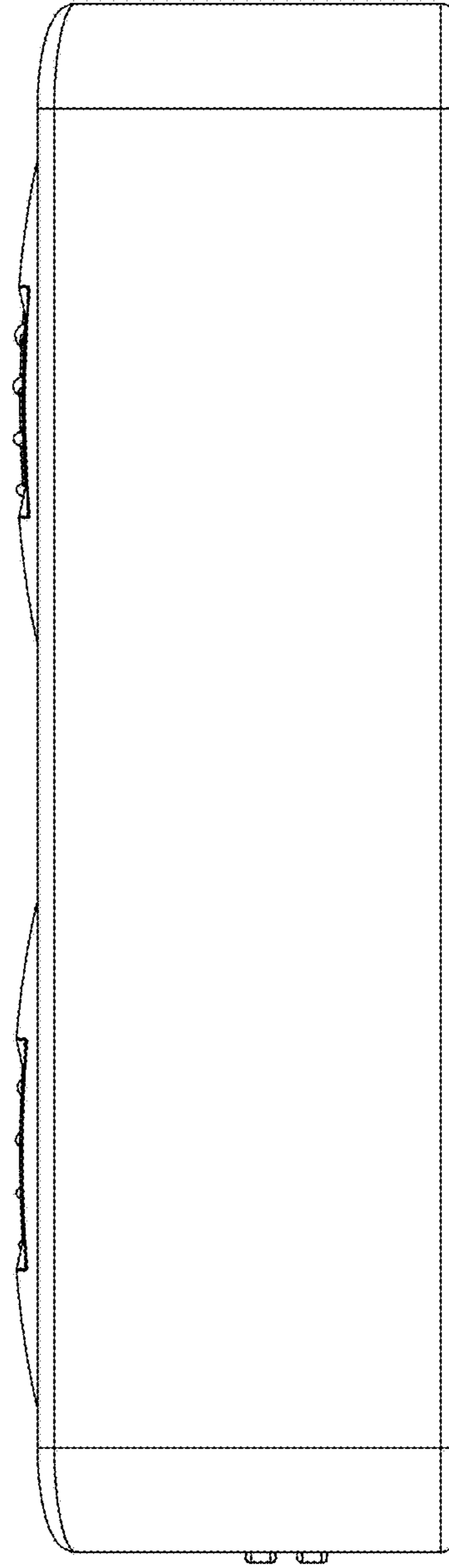


FIG. 8