



US00D852778S

(12) **United States Design Patent**
Kohne

(10) **Patent No.:** **US D852,778 S**
(45) **Date of Patent:** **** Jul. 2, 2019**

(54) **HORN FOR LOUDSPEAKER**
(71) Applicant: **iDesign AG**, Rudolstadt (DE)
(72) Inventor: **Michael Kohne**, Rudolstadt (DE)
(73) Assignee: **iDesign AG**, Rudolstadt (DE)
(**) Term: **15 Years**

(21) Appl. No.: **29/598,913**

(22) Filed: **Mar. 29, 2017**

(30) **Foreign Application Priority Data**

Feb. 8, 2017 (EM) 003744390-0001

(51) **LOC (11) Cl.** **14-03**

(52) **U.S. Cl.**
USPC **D14/208**

(58) **Field of Classification Search**

USPC D14/167, 168, 170–172, 188, 194–196,
D14/204, 209.1, 210–216, 219, 221, 222,
D14/224, 239, 496

CPC B60R 11/0217; G06F 1/1688; G10K 9/22;
G10K 11/004; H03F 1/327; H04M 1/03;
H04M 1/035; H04N 5/642; H04N
21/4852; H04S 3/00; H04S 7/30; H04R
1/02; H04R 1/06; H04R 1/021; H04R
1/025; H04R 1/026; H04R 1/028; H04R
1/105; H04R 1/323; H04R 1/403; H04R
1/2803; H04R 1/2834; H04R 5/02; H04R
7/20; H04R 9/06; H04R 9/025; H04R
2201/021; H04R 2400/00; H04R 2400/07;
H04R 2499/11; H04R 2499/13; H04R
2499/15

See application file for complete search history.

(56) **References Cited**

U.S. PATENT DOCUMENTS

D232,239 S * 7/1974 Schaffer 446/202
D264,841 S * 6/1982 Pickrel D14/204

4,703,829 A * 11/1987 Hardt G10K 11/08
181/178
D357,020 S * 4/1995 Raymond G10K 3/00
D14/230
D359,958 S * 7/1995 Frodelius D14/208
5,675,133 A * 10/1997 Kobayashi G10K 3/00
181/188
D431,555 S * 10/2000 Cronin G10K 11/08
D14/230
D691,125 S * 10/2013 Cheon D14/253

(Continued)

Primary Examiner — Keli L Hill

(74) *Attorney, Agent, or Firm* — Edell, Shapiro & Finnan,
LLC

(57) **CLAIM**

The ornamental design for a horn for a loudspeaker, as shown and described.

DESCRIPTION

FIG. 1 is a front, left perspective view from above of a horn for a loudspeaker showing the new design;

FIG. 2 is a rear, right perspective view from above of the horn for a loudspeaker of FIG. 1;

FIG. 3 is a front elevation view of the horn for a loudspeaker of FIG. 1;

FIG. 4 is a rear elevation view of the horn for a loudspeaker of FIG. 1;

FIG. 5 is a left side elevation view of the horn for a loudspeaker of FIG. 1;

FIG. 6 is a right side elevation view of the horn for a loudspeaker of FIG. 1;

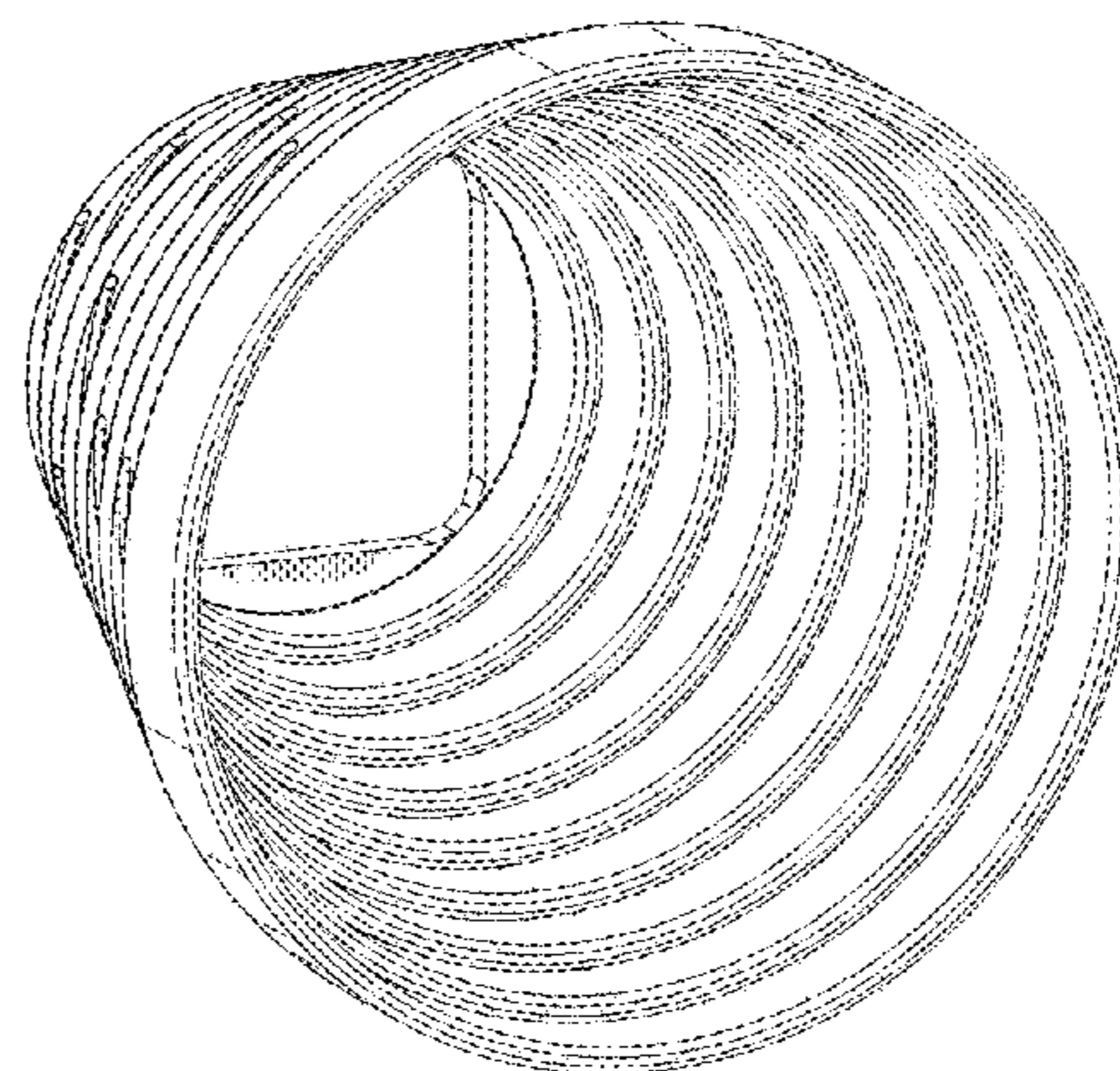
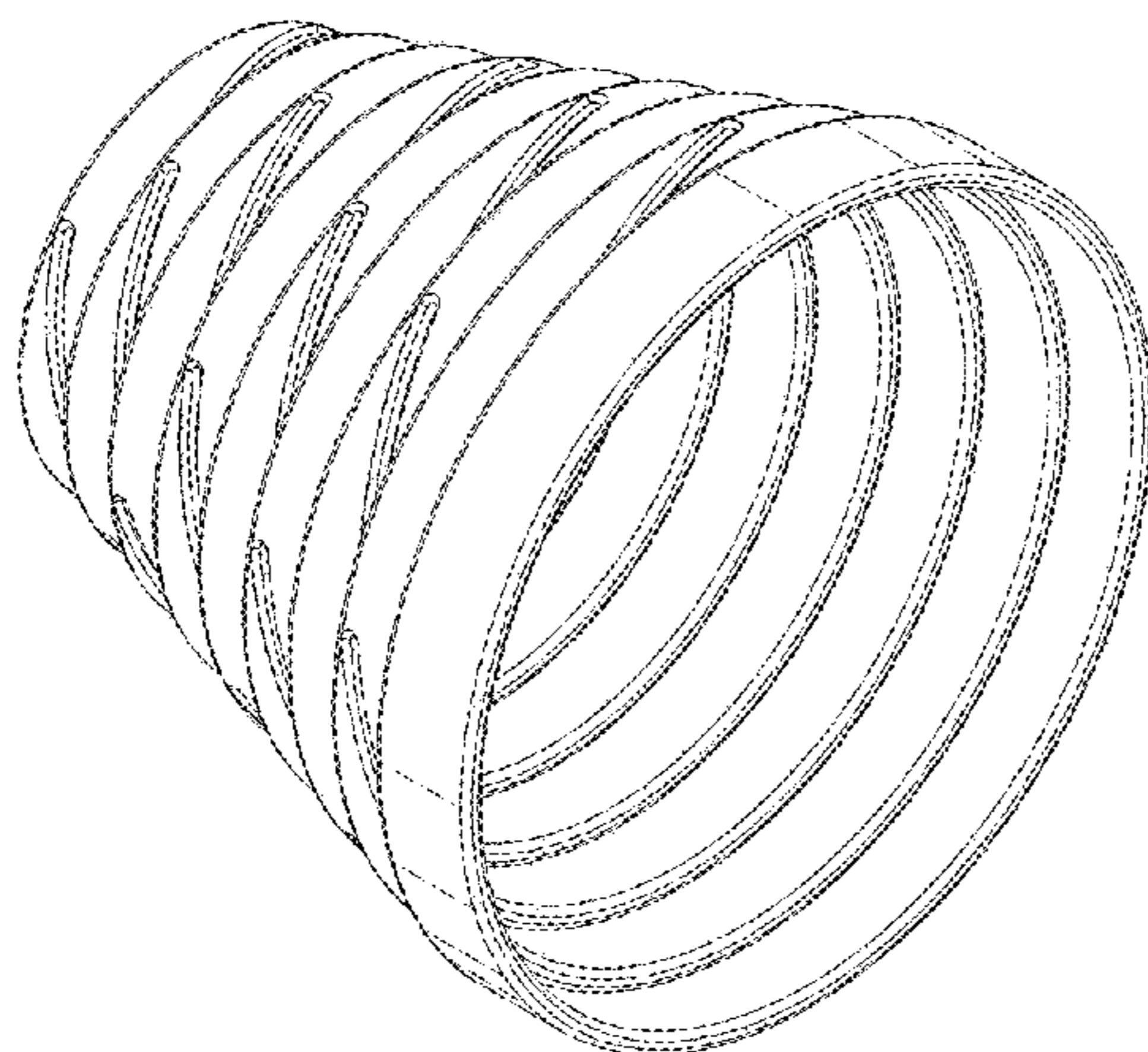
FIG. 7 is a top plan view of the horn for a loudspeaker of FIG. 1;

FIG. 8 is a bottom plan view of the horn for a loudspeaker of FIG. 1;

FIG. 9 is an alternate front, left perspective view of the horn for a loudspeaker of FIG. 1; and,

FIG. 10 is an alternate rear, right perspective view of the horn for a loudspeaker of FIG. 1.

1 Claim, 5 Drawing Sheets



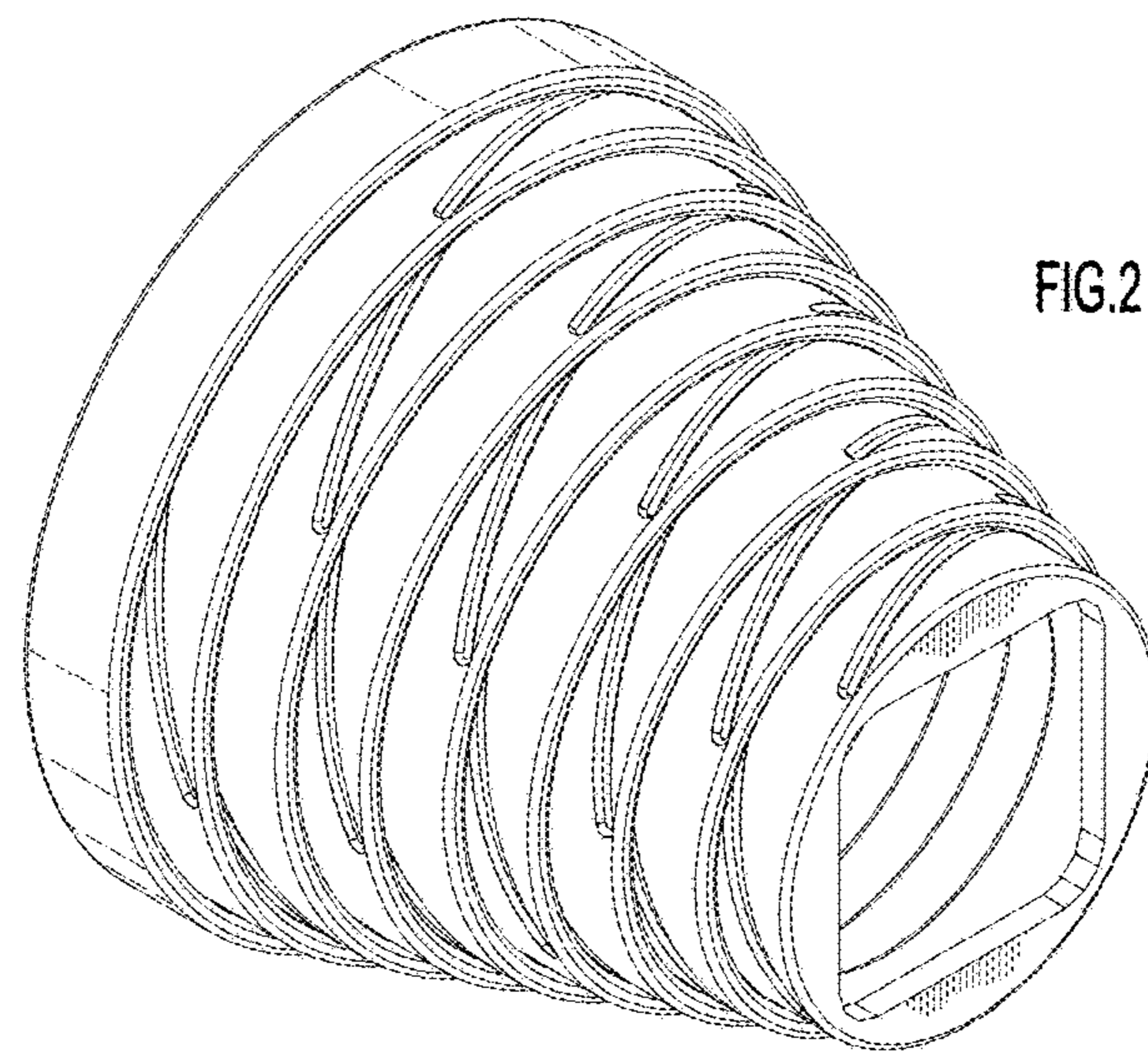
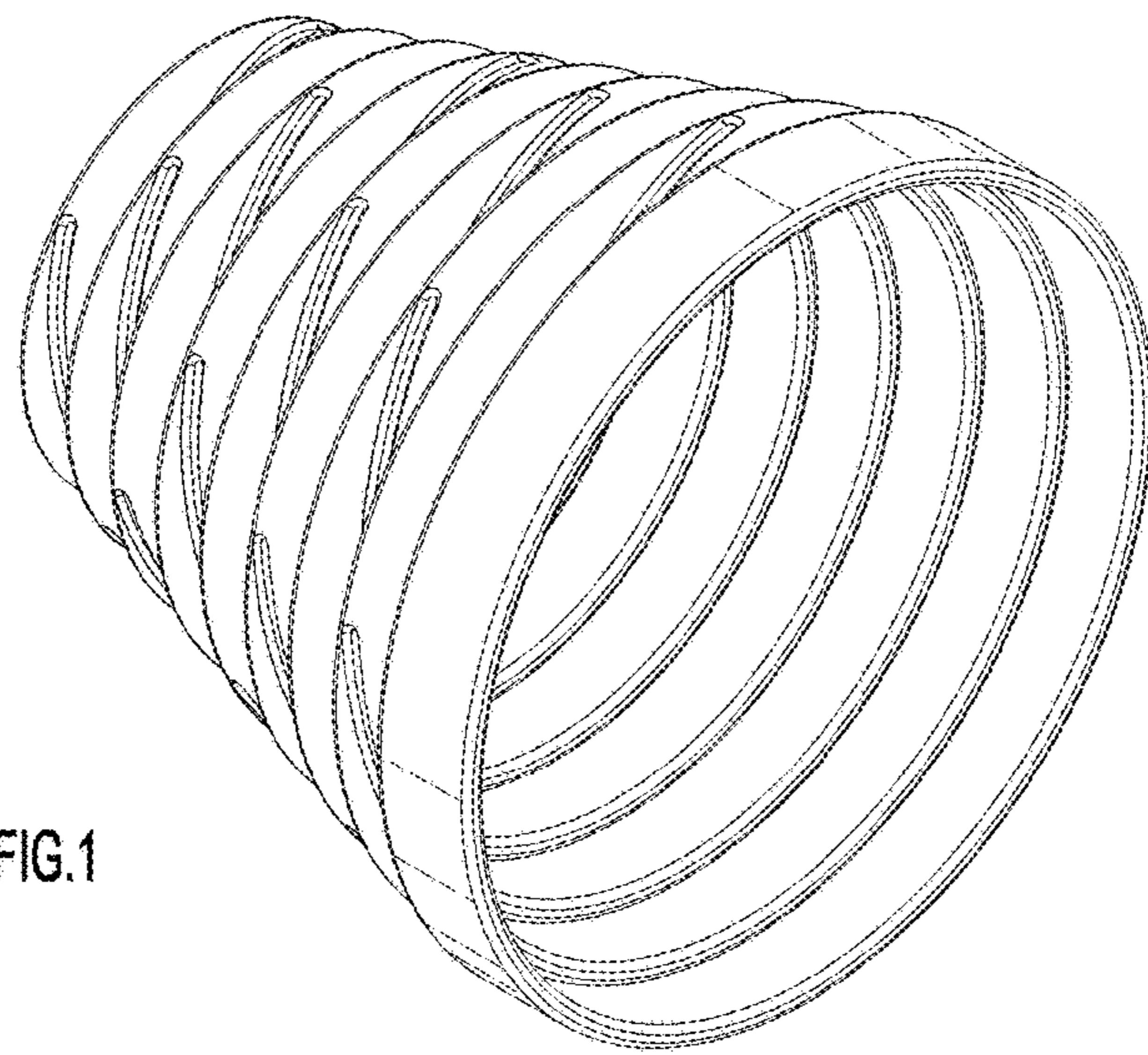
(56)

References Cited

U.S. PATENT DOCUMENTS

D711,364 S	*	8/2014	Barker	D14/208
D727,290 S	*	4/2015	Kim	D14/208
D772,191 S	*	11/2016	Ludwig	D14/187
D785,595 S	*	5/2017	Morin	D14/188

* cited by examiner



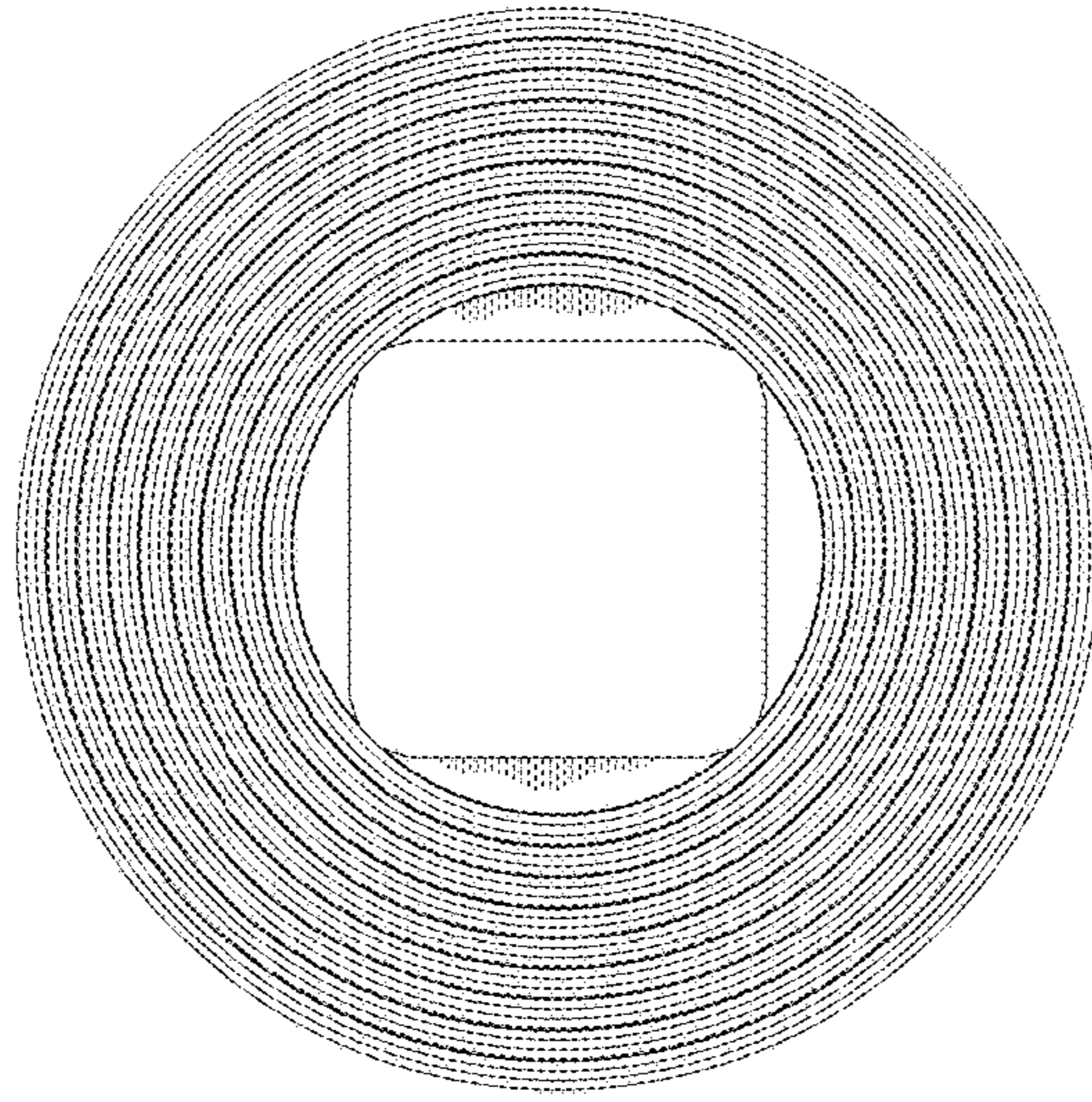


FIG.3

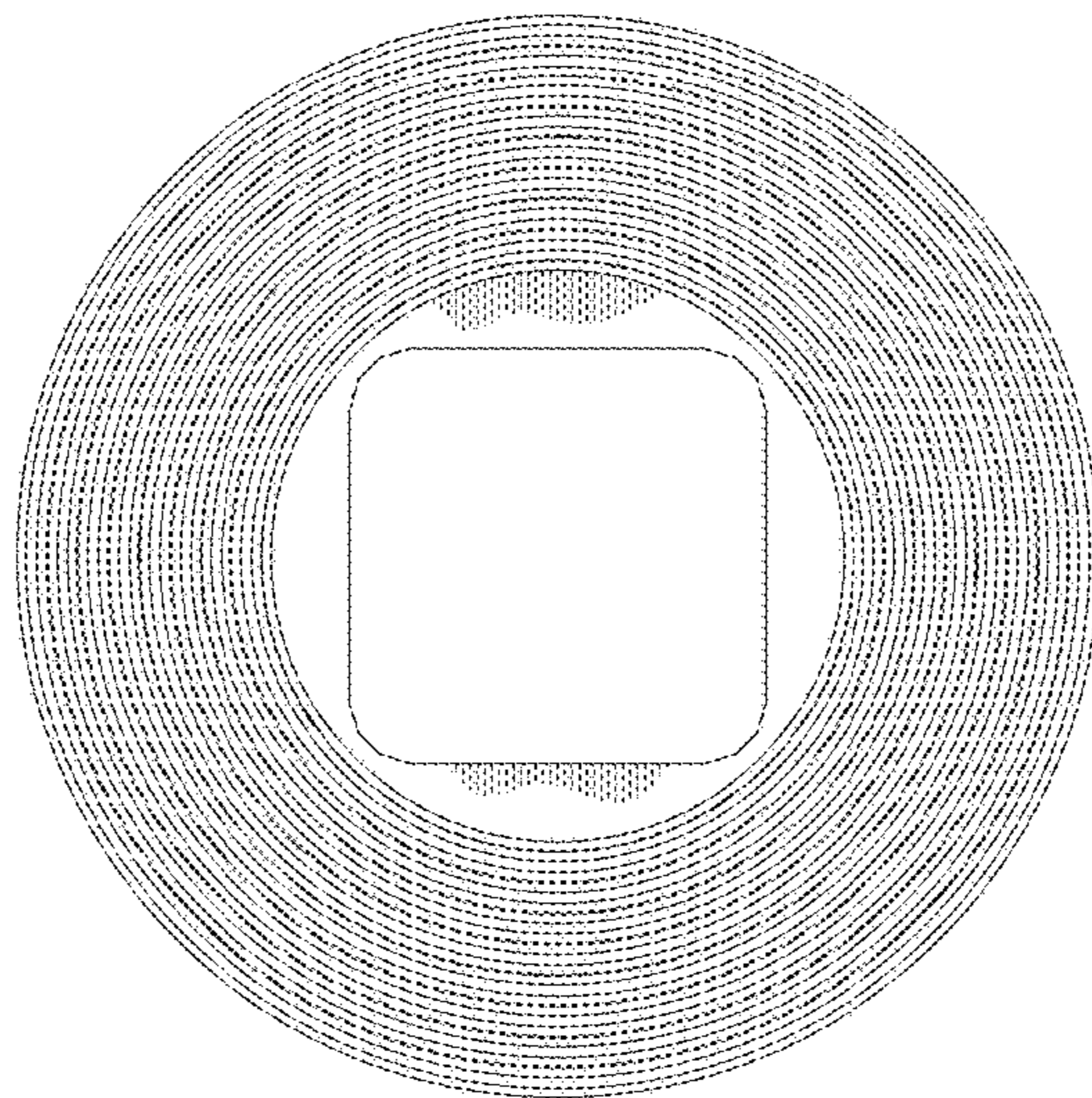


FIG.4

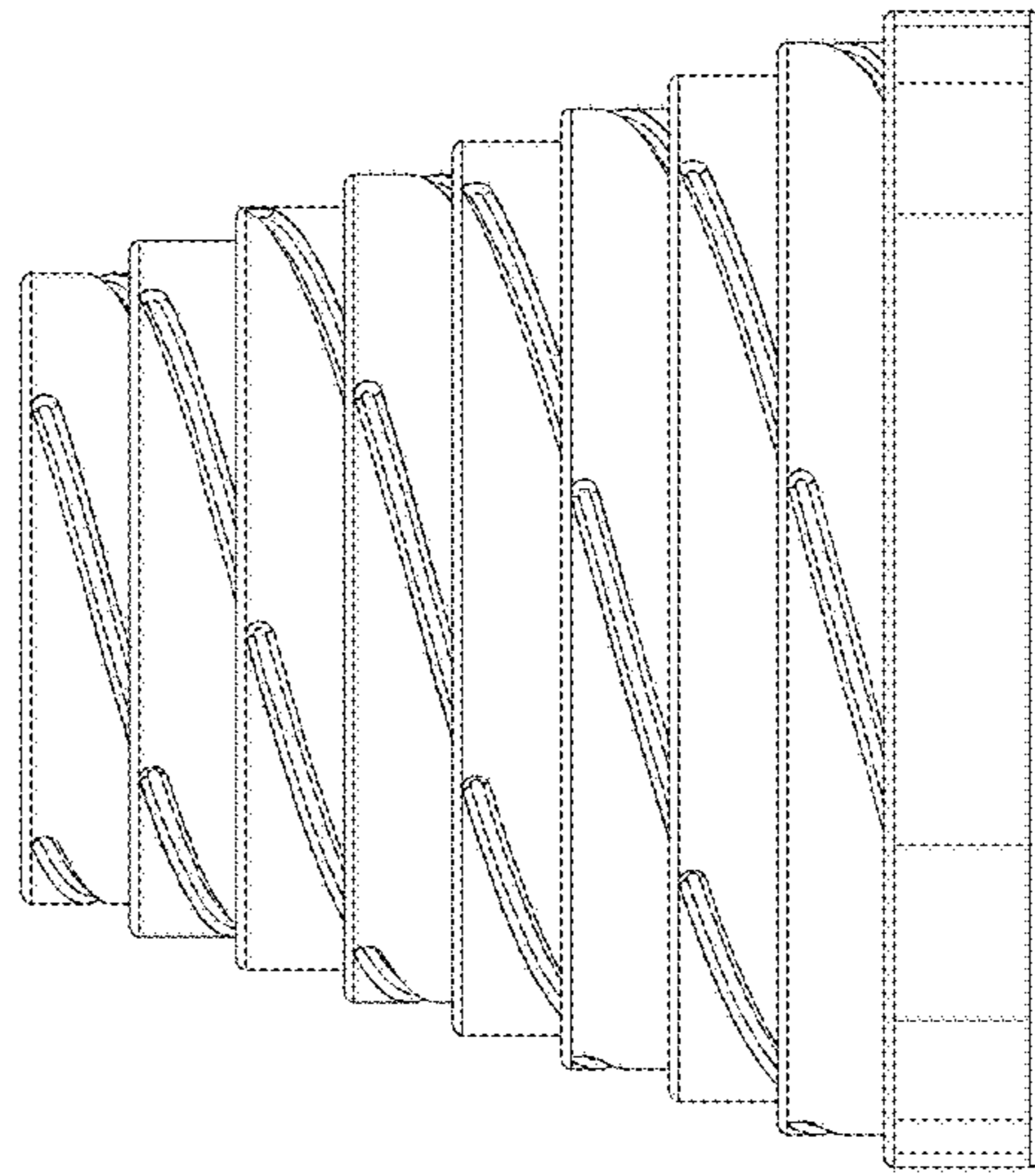


FIG.5

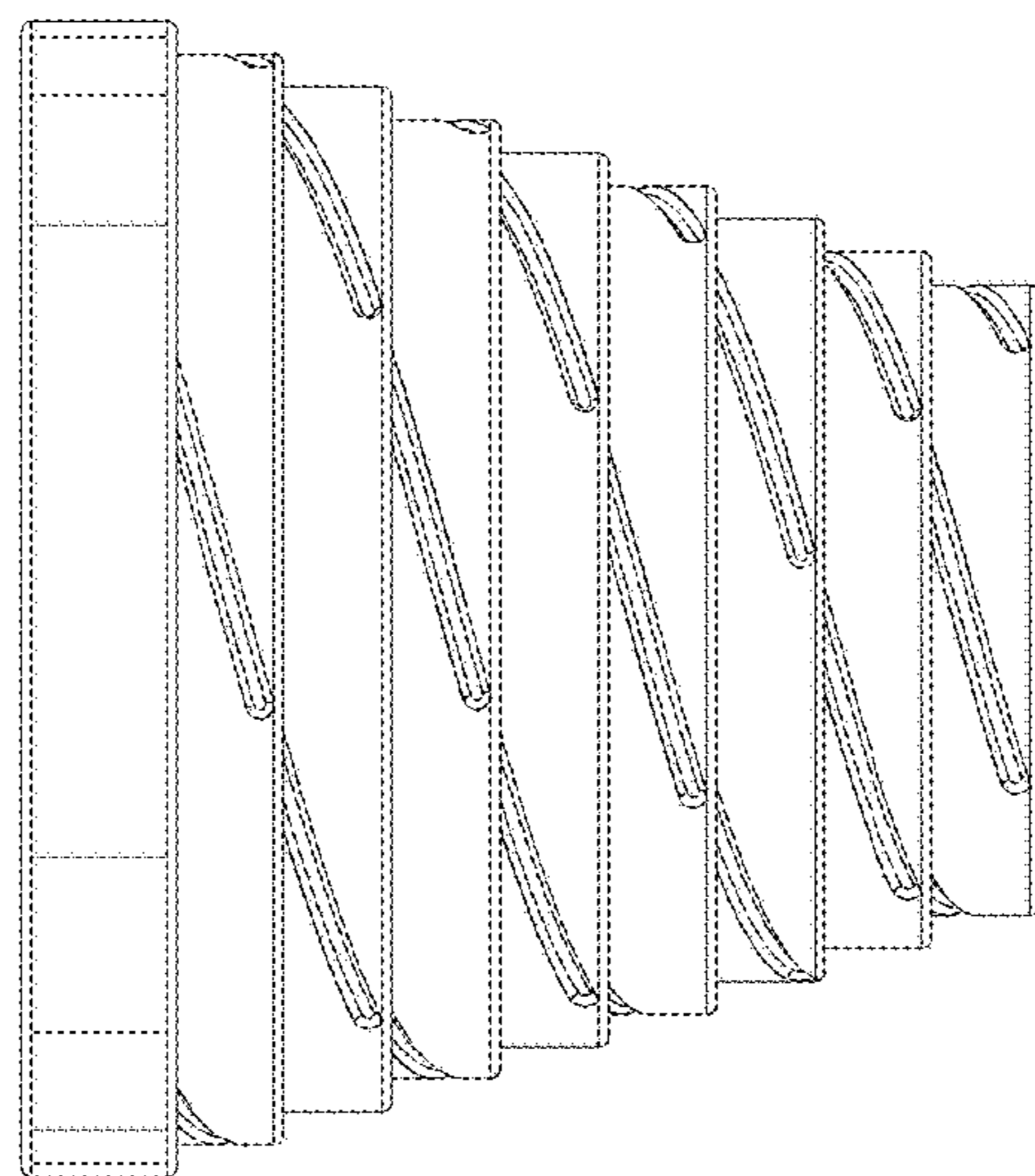


FIG.6

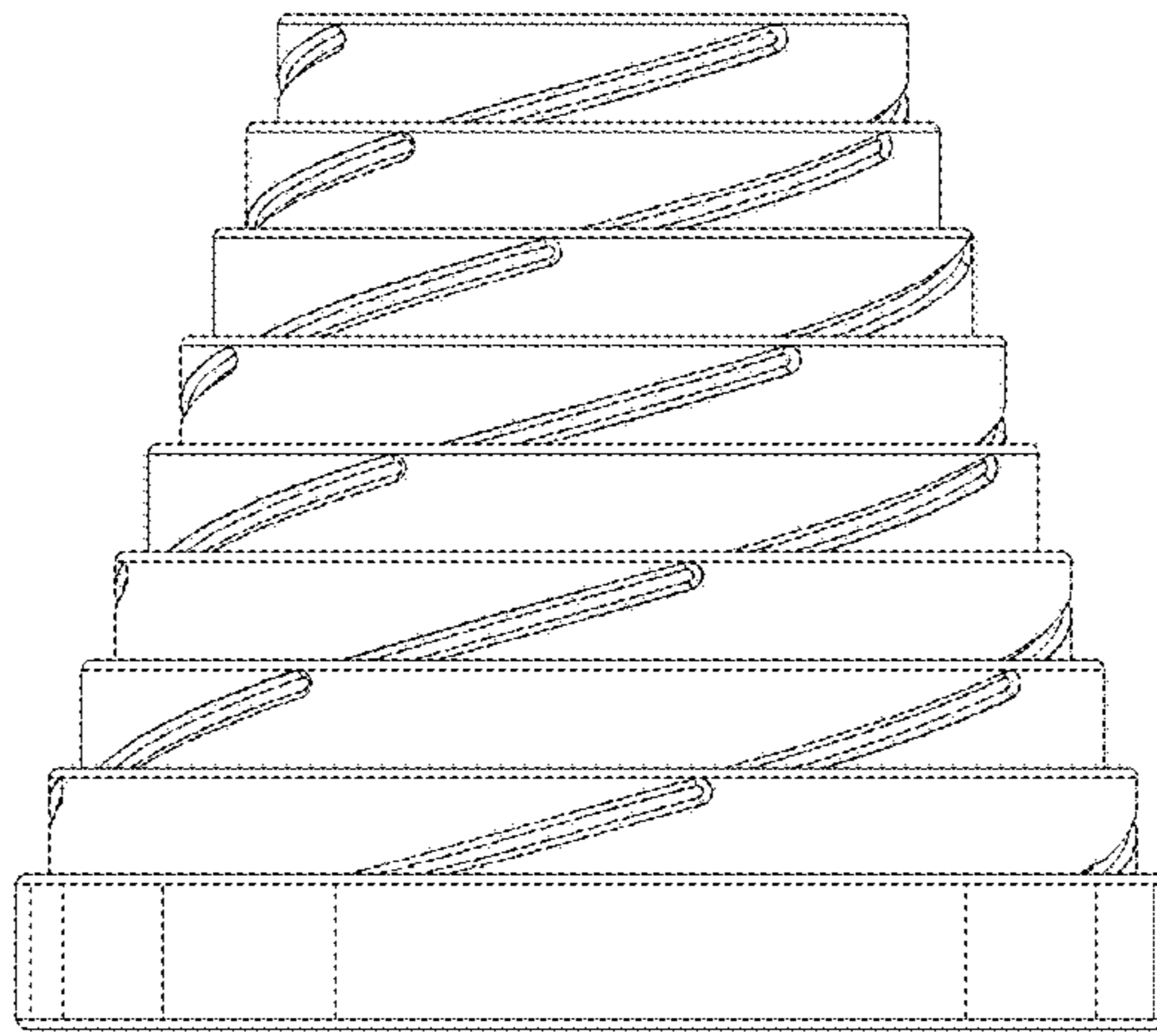


FIG. 7

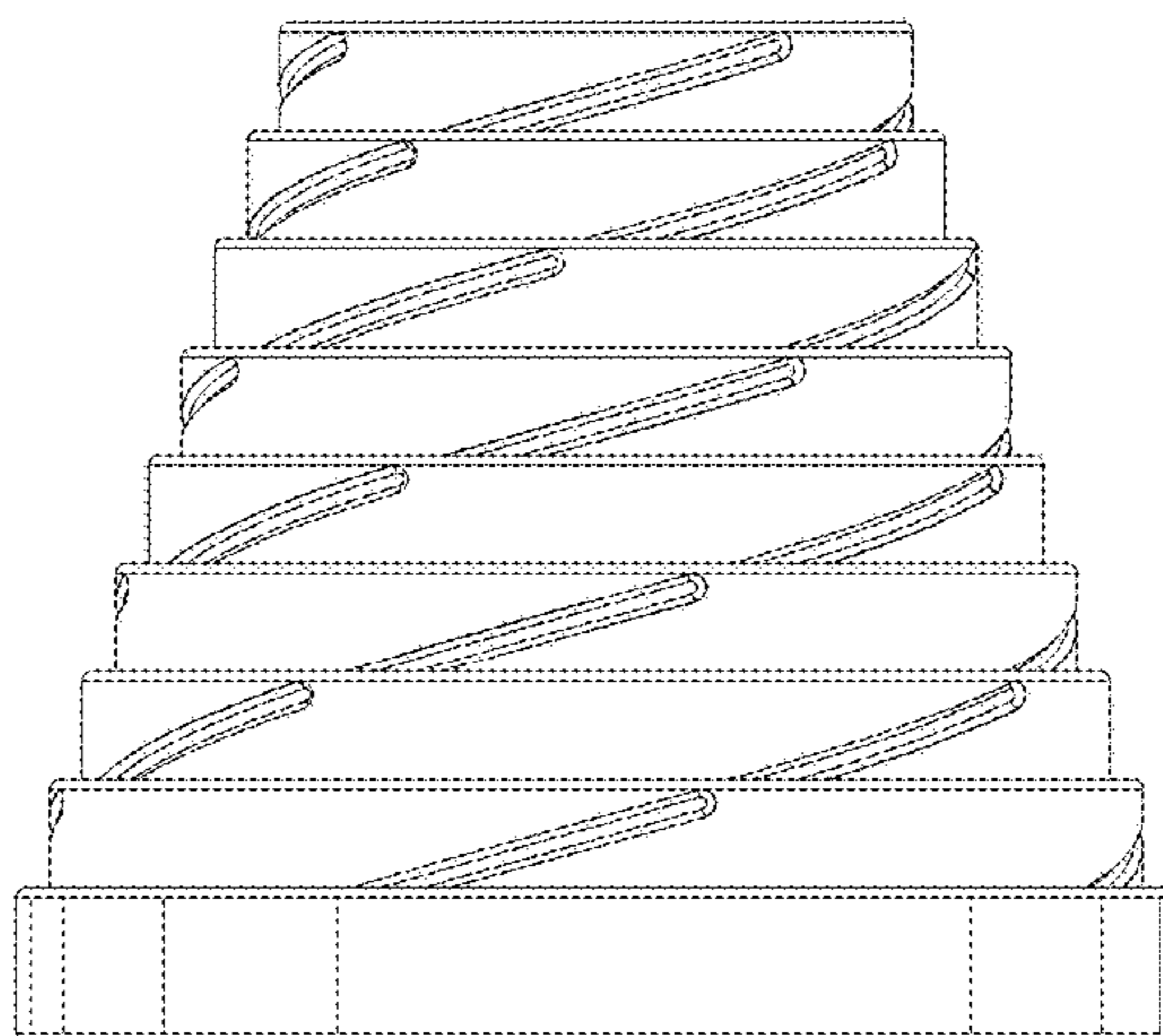


FIG. 8

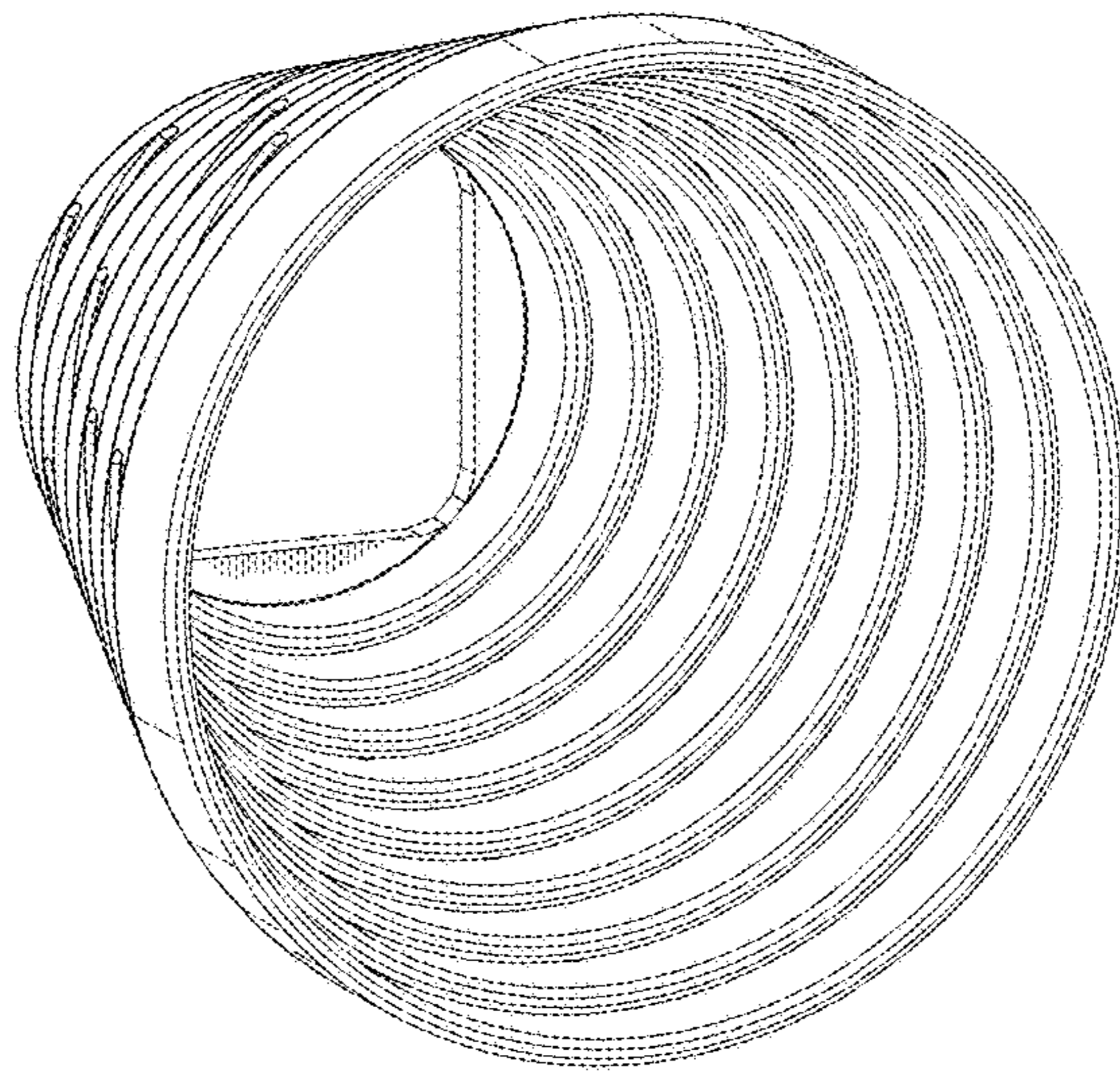


FIG.9

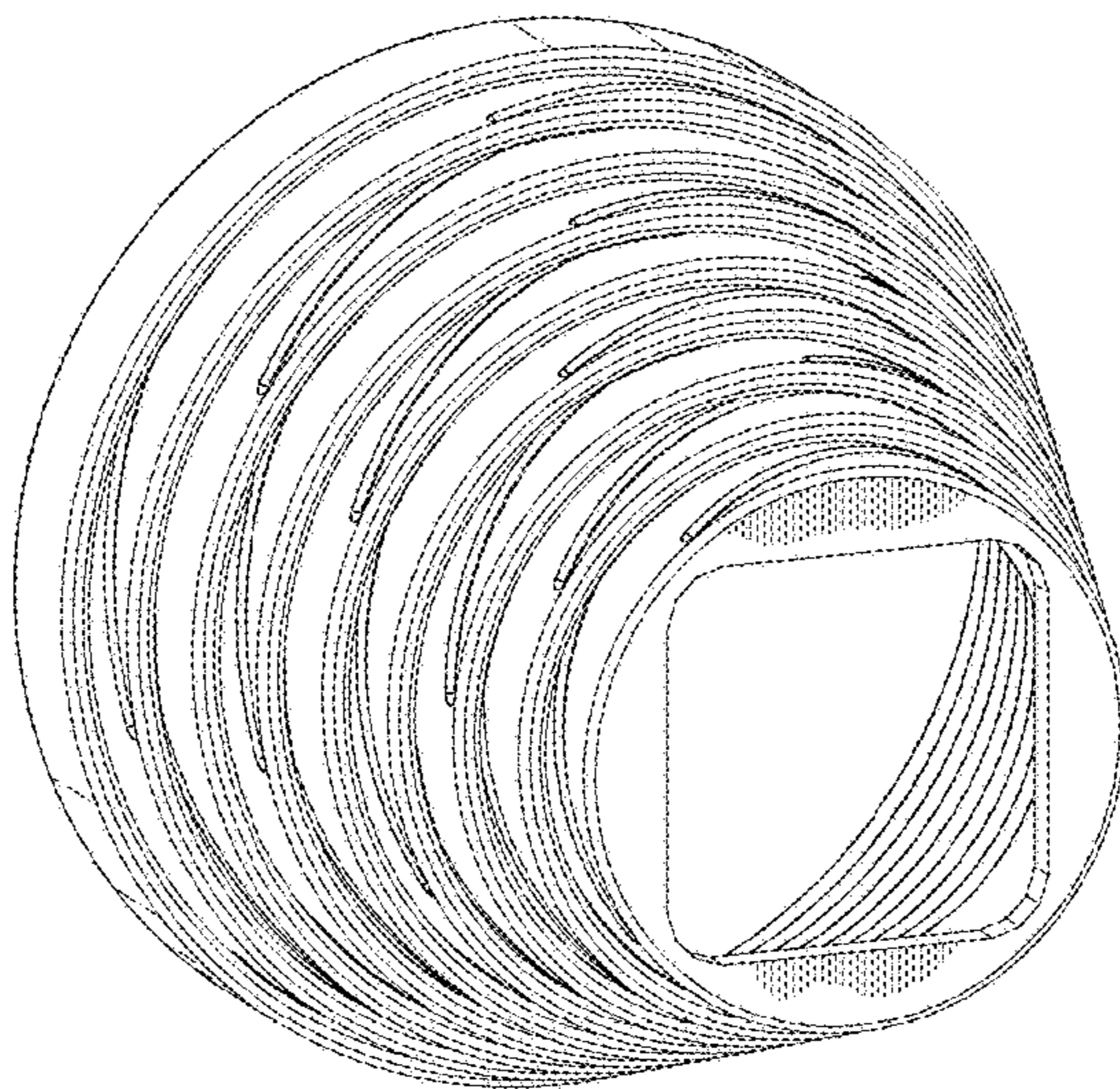


FIG.10