



US00D852777S

(12) **United States Design Patent**
Park et al.

(10) **Patent No.:** **US D852,777 S**
(45) **Date of Patent:** **** Jul. 2, 2019**

(54) **HEADPHONE**

(71) Applicant: **Harman International Industries, Incorporated**, Northridge, CA (US)

(72) Inventors: **Sunghoon Park**, Shanghai (CN);
Chenxi Lu, Hong Kong (HK)

(73) Assignee: **Harman International Industries, Incorporated**, Northridge, CA (US)

(**) Term: **15 Years**

(21) Appl. No.: **29/615,688**

(22) Filed: **Aug. 30, 2017**

D345,163 S *	3/1994	Yamatogi	D14/205
D351,172 S	10/1994	Nakamura et al.	
D358,389 S	5/1995	Isono	
5,793,878 A	8/1998	Chang	
5,862,241 A	1/1999	Nelson	
D405,449 S	2/1999	Nakamura et al.	
D410,466 S *	6/1999	Mouri	D14/205
6,006,115 A	12/1999	Wingate	
D420,356 S *	2/2000	Suzuki	D14/205
D435,249 S *	12/2000	Yasutomi	D14/205
6,263,085 B1	7/2001	Weller	
D457,874 S	5/2002	Yoneda	
D467,580 S *	12/2002	Mori	D14/223
D484,485 S	12/2003	Matsuoka	
6,654,966 B2	12/2003	Rolla	
6,980,165 B2	12/2005	Yuasa et al.	
D519,497 S	4/2006	Komiyama	

(Continued)

Related U.S. Application Data

(63) Continuation-in-part of application No. 29/576,108, filed on Aug. 31, 2016, now Pat. No. Des. 811,364.

(51) **LOC (11) Cl.** **14-01**

(52) **U.S. Cl.**
USPC **D14/206; D14/205**

(58) **Field of Classification Search**
USPC D14/205, 188, 192, 372, 206; D29/112;
2/209; 181/129, 130, 135; 379/430, 431;
381/380, 381, 374, 74; 455/90.3, 575.1,
455/569.1

CPC H04R 1/1066; H04R 1/1016; H04R 5/033;
H04R 5/0335; H04R 25/00; H04R 1/10
See application file for complete search history.

(56) **References Cited**

U.S. PATENT DOCUMENTS

3,787,899 A	1/1974	Krawagna	
D246,519 S *	11/1977	Kato	D14/205
D270,634 S	9/1983	Ungar	
4,459,707 A	7/1984	Stallings	
4,689,822 A	8/1987	Houng	
5,018,599 A	5/1991	Dohi et al.	
5,035,005 A	7/1991	Hung	

OTHER PUBLICATIONS

Design U.S. Appl. No. 29/631,227, filed Dec. 28, 2017.

Primary Examiner — Paula Allen Greene

(74) *Attorney, Agent, or Firm* — Plumsea Law Group, LLC

(57) **CLAIM**

The ornamental design for a headphone, as shown and described.

DESCRIPTION

FIG. 1 is a perspective view of a headphone showing the new design;

FIG. 2 is a front elevational view thereof;

FIG. 3 is a rear elevational view thereof;

FIG. 4 is a side elevational view thereof;

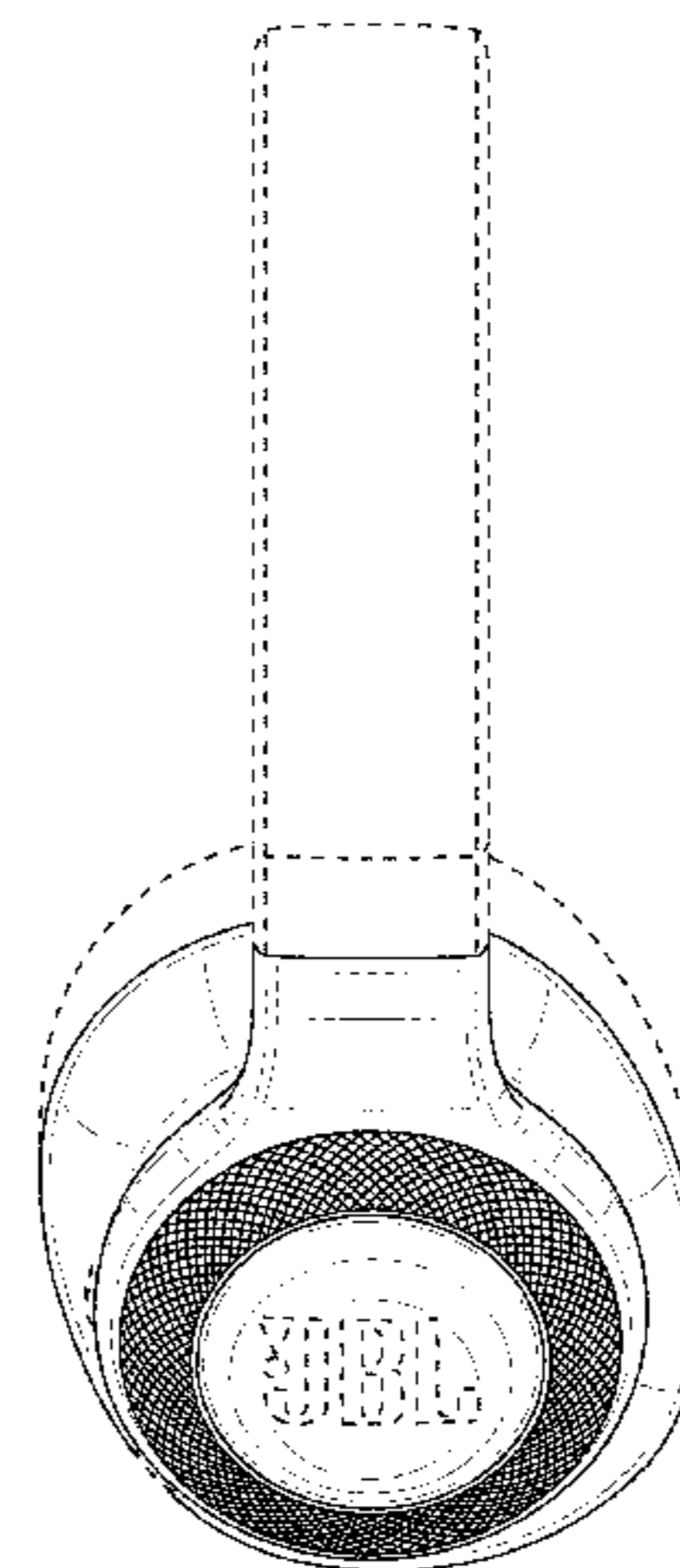
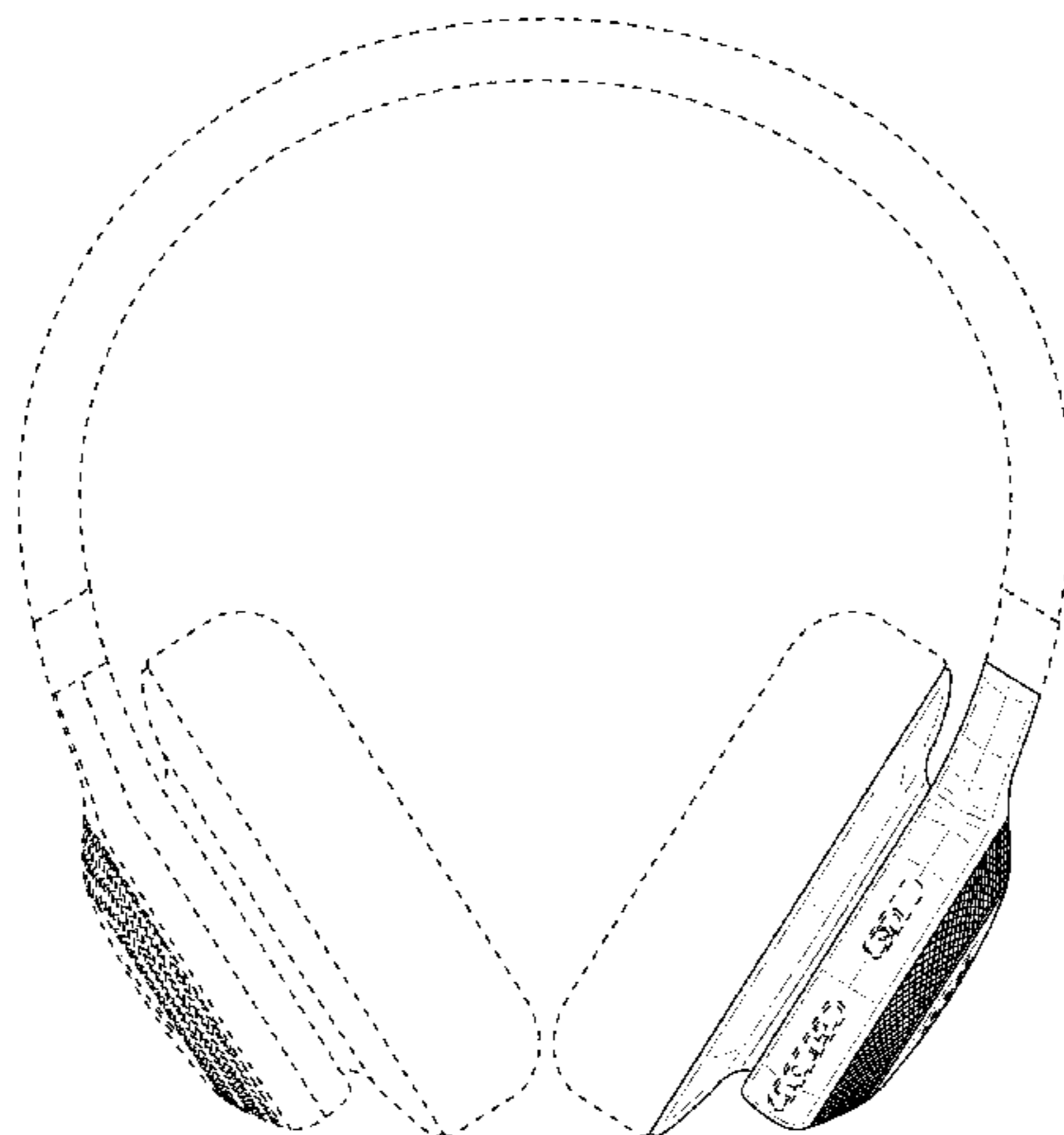
FIG. 5 is an opposite side elevational view thereof;

FIG. 6 is a top view thereof; and,

FIG. 7 is a bottom view thereof.

The broken line showings form no part of the claimed design.

1 Claim, 7 Drawing Sheets



(56)

References Cited

U.S. PATENT DOCUMENTS

D534,155 S 12/2006 Obata
 D541,257 S 4/2007 Thursfield
 D567,215 S * 4/2008 Lee D14/205
 7,388,960 B2 * 6/2008 Kuo H04R 1/1041
 379/430
 D588,100 S 3/2009 Densho et al.
 D593,995 S 6/2009 Shimizu
 D625,705 S 10/2010 Ohori et al.
 D634,732 S 3/2011 Kondo et al.
 D637,176 S 5/2011 Brunner et al.
 D642,554 S 8/2011 Schaal et al.
 D657,344 S 4/2012 Brunner et al.
 D657,346 S 4/2012 Park
 D662,080 S 6/2012 Carr et al.
 D662,490 S 6/2012 McSweyn
 8,314,883 B2 11/2012 Richardson et al.
 D673,136 S 12/2012 Kelly et al.
 8,325,962 B2 * 12/2012 Ishida H04R 5/0335
 381/370
 D673,519 S 1/2013 Tan
 D696,644 S 12/2013 Sejpka
 8,737,668 B1 * 5/2014 Blair H04R 1/1066
 381/378
 D716,762 S * 11/2014 Greve D14/206
 D719,136 S 12/2014 Schaal et al.
 D727,287 S 4/2015 Ishikura
 D727,289 S 4/2015 Czaniecki
 D728,512 S * 5/2015 Nakagawa D14/205

D734,297 S 7/2015 Sasaki et al.
 D760,687 S 7/2016 Brunner et al.
 D761,761 S 7/2016 Ando et al.
 D763,223 S 8/2016 Czaniecki
 D765,055 S * 8/2016 Hsieh D14/205
 D766,870 S * 9/2016 Catalano D14/205
 D777,701 S 1/2017 Czaniecki
 D784,956 S * 4/2017 Homewood D14/205
 D789,327 S 6/2017 Miyake et al.
 D791,103 S 7/2017 Brunner et al.
 D791,733 S 7/2017 Brunner et al.
 D800,691 S * 10/2017 Ando D14/205
 D806,685 S * 1/2018 Park D14/223
 D811,364 S * 2/2018 Park D14/205
 D816,061 S * 4/2018 Ando D14/205
 D826,210 S * 8/2018 Chong D14/205
 2001/0017925 A1 * 8/2001 Ceravolo H04M 1/05
 381/370
 2004/0216946 A1 11/2004 Lenhard-Backhaus
 2008/0069391 A1 * 3/2008 Steyn H04R 1/1025
 381/371
 2010/0034414 A1 * 2/2010 Miyata H04R 5/0335
 381/374
 2010/0310093 A1 * 12/2010 Semcken H04R 1/1058
 381/104
 2014/0205129 A1 * 7/2014 Blair H04R 1/1058
 381/378
 2016/0142813 A1 * 5/2016 Honda H04R 1/1008
 381/370
 2017/0041697 A1 * 2/2017 Levine H04R 1/1033

* cited by examiner

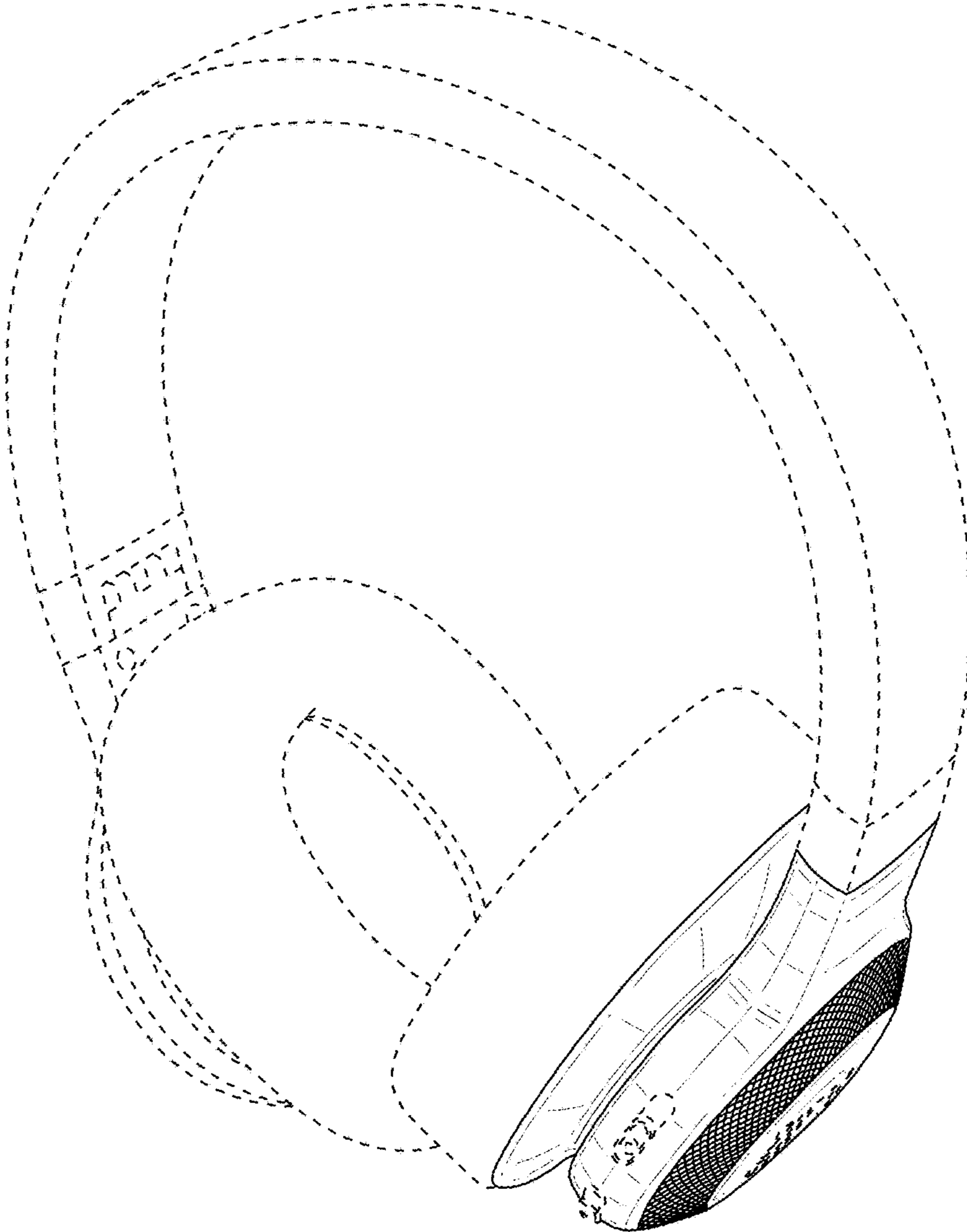


FIG. 1

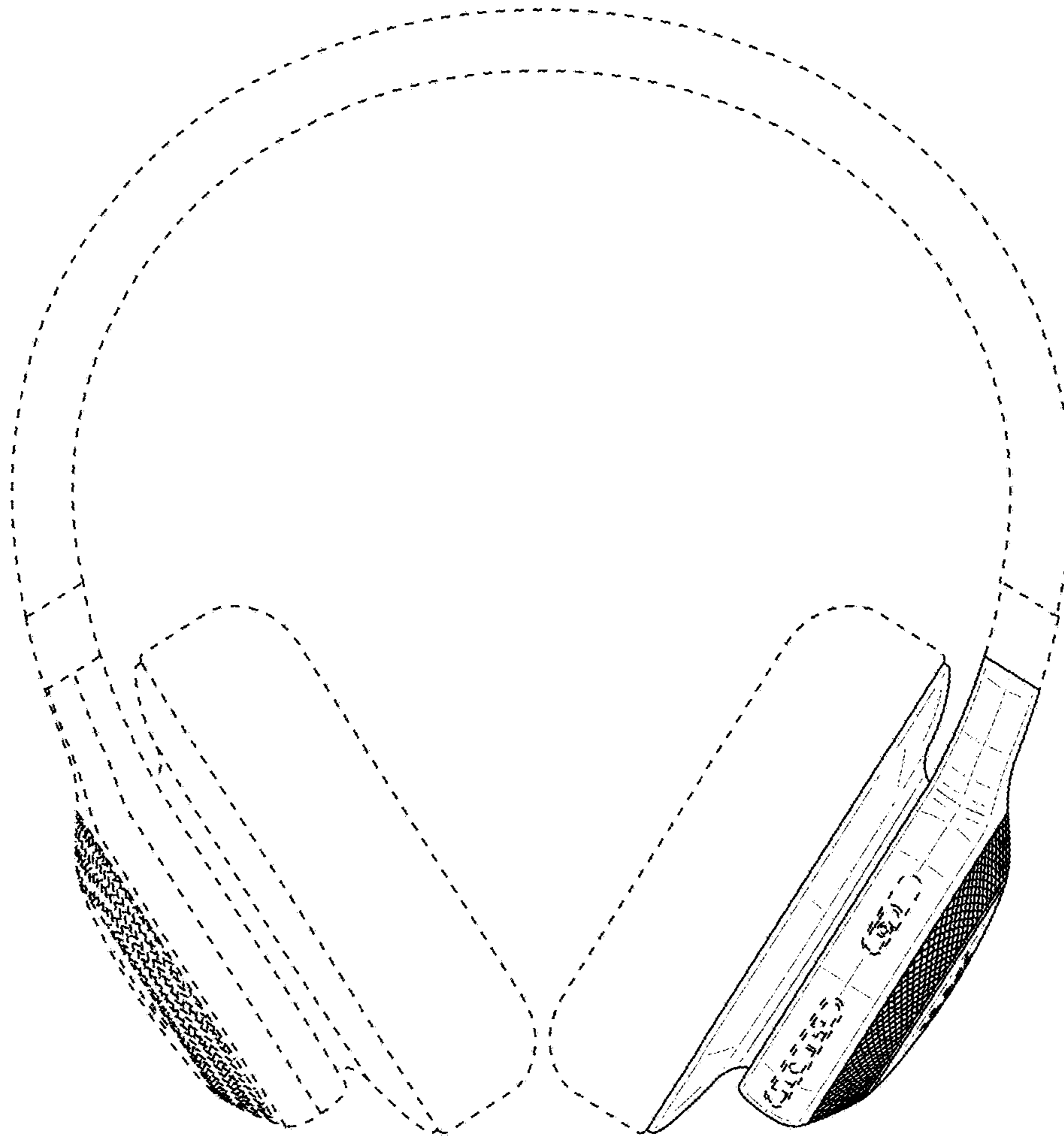


FIG. 2

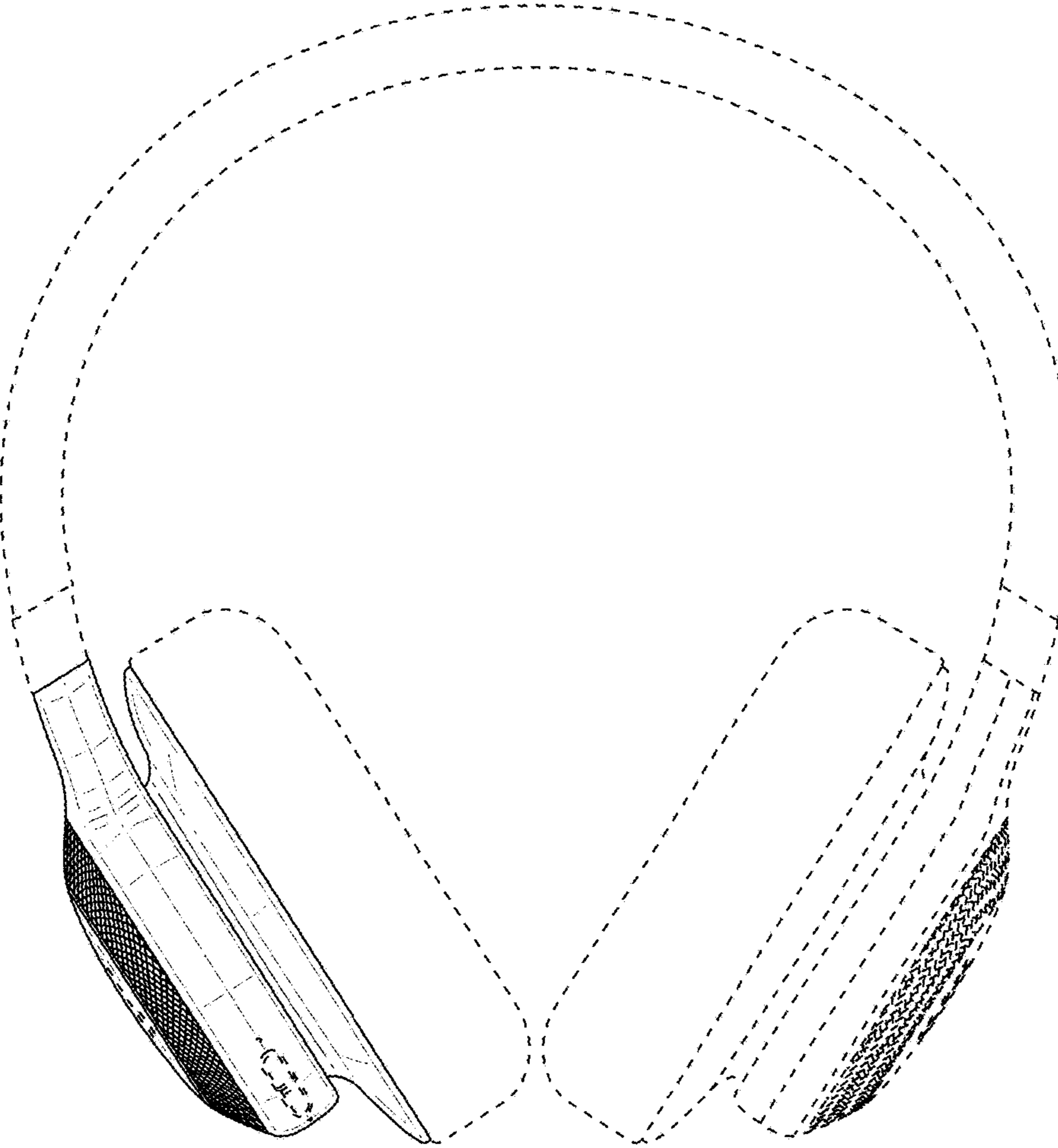


FIG. 3

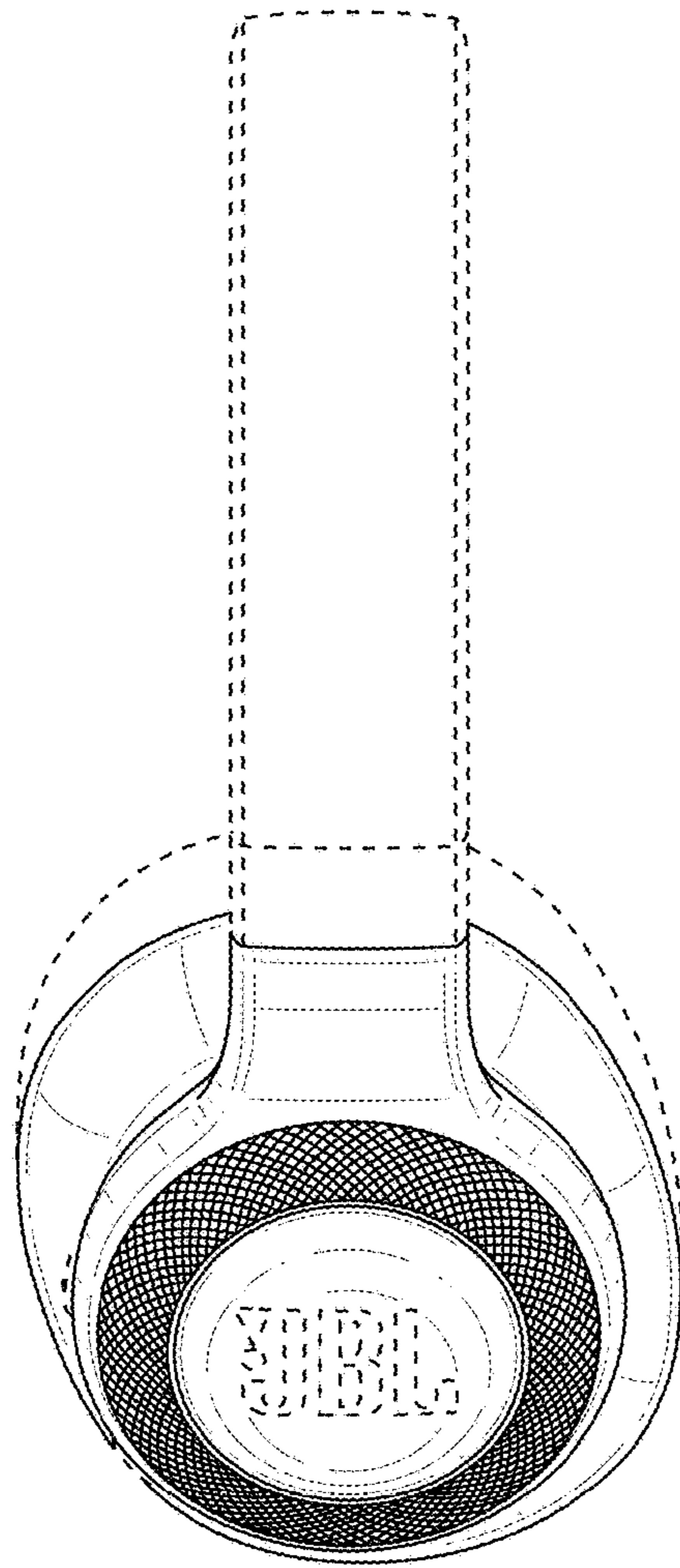


FIG. 4

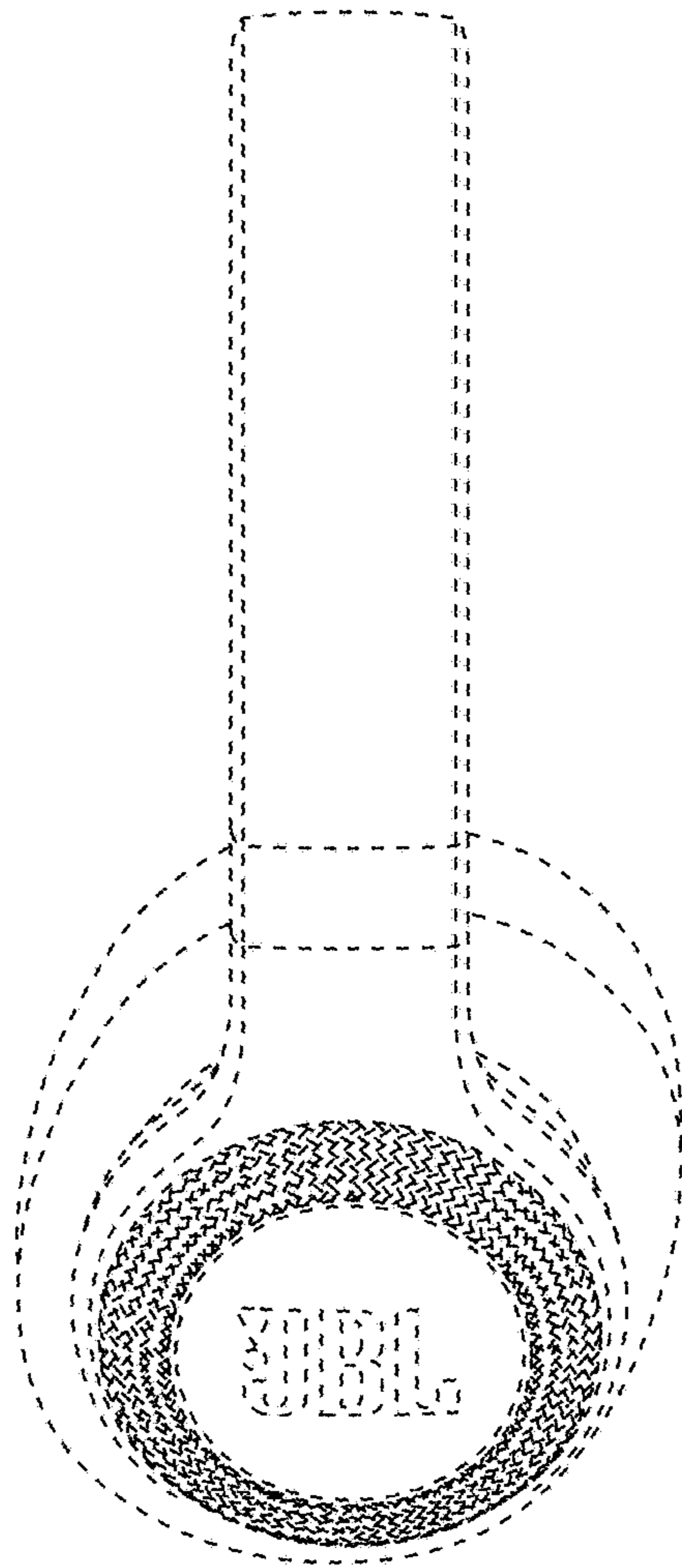


FIG. 5

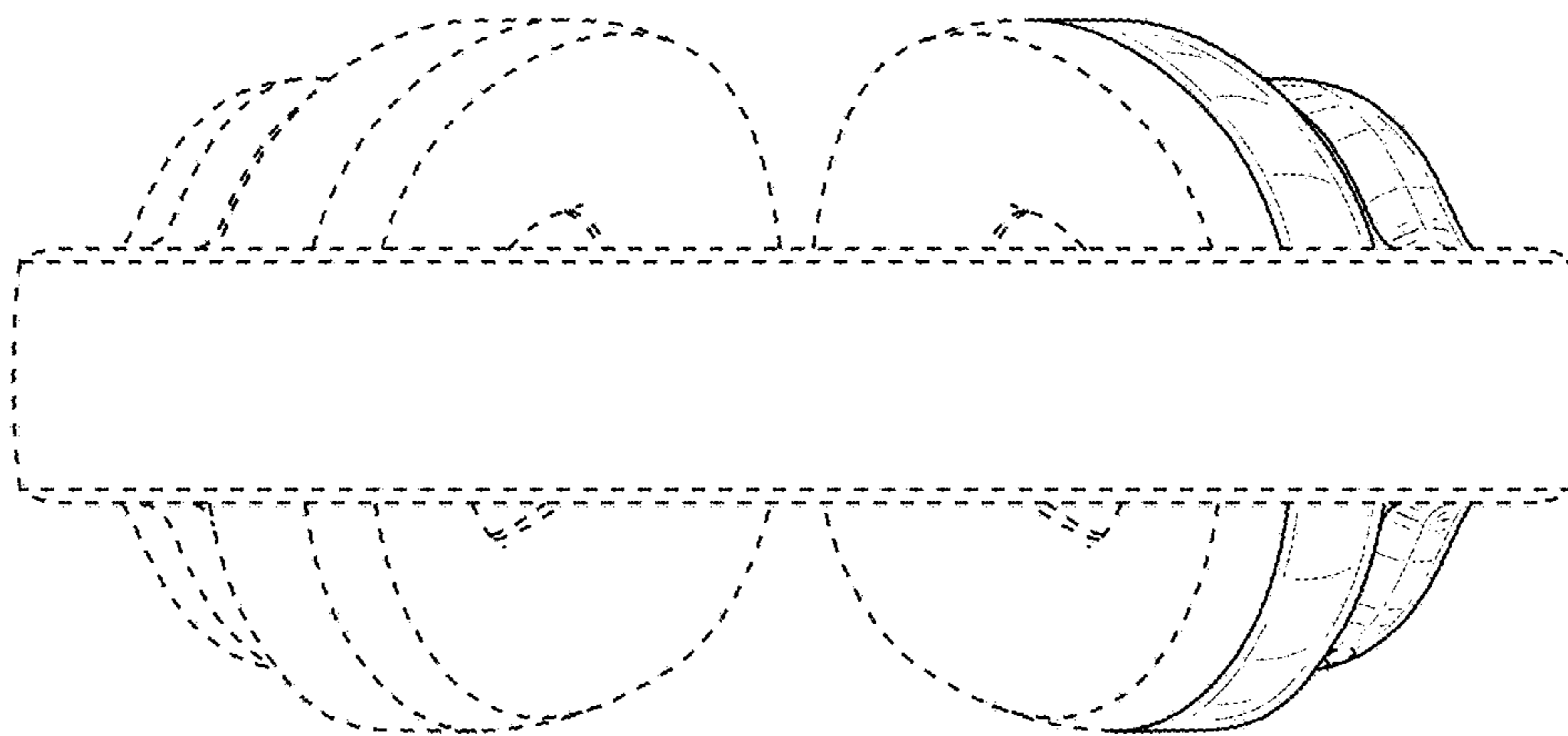


FIG. 6

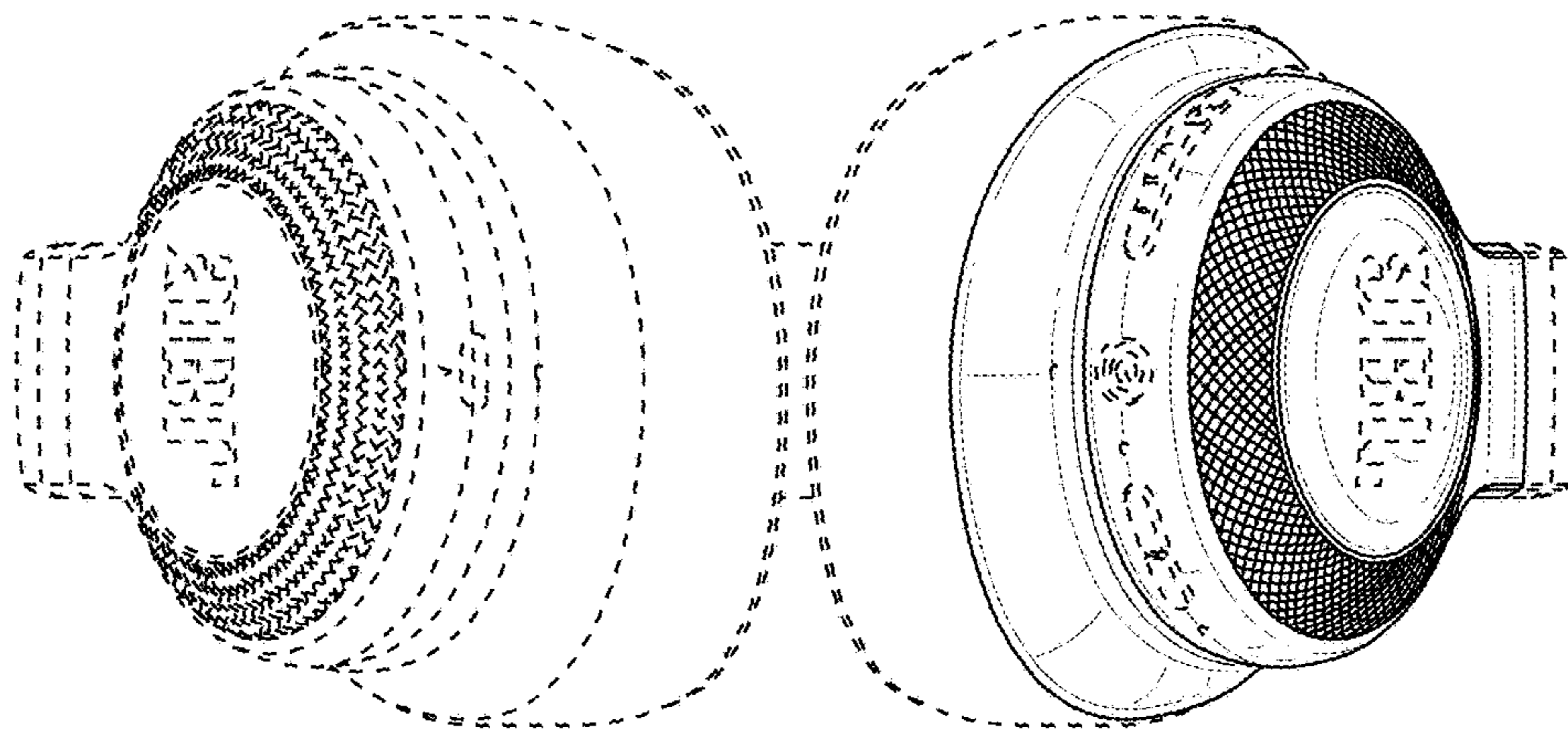


FIG. 7