



US00D852771S

(12) **United States Design Patent** (10) **Patent No.:** **US D852,771 S**
Hu (45) **Date of Patent:** **** Jul. 2, 2019**

(54) **WIRELESS TRANSMITTER**
(71) Applicant: **SHENZHEN QIANHAI PATUOXUN NETWORK AND TECHNOLOGY CO., LTD**, Shenzhen (CN)
(72) Inventor: **Zaihui Hu**, Shenzhen (CN)
(73) Assignee: **SHENZHEN QIANHAI PATUOXUN NETWORK AND TECHNOLOGY CO., LTD**, Shenzhen (CN)

(**) Term: **15 Years**

(21) Appl. No.: **29/676,145**

(22) Filed: **Jan. 9, 2019**

(51) **LOC (11) Cl.** **14-03**

(52) **U.S. Cl.**
USPC **D14/155**

(58) **Field of Classification Search**
USPC D14/167, 154, 168, 188, 496, 156, 160, D14/161, 162, 163, 164, 165, 158, 341, D14/346, 342, 345, 155, 218, 225; D16/208; D26/38; 455/351, 350, 575.1, 455/556.1; D10/104, 106, 65, 57
CPC H04B 1/385; H04M 1/6091; H04M 1/6066
See application file for complete search history.

(56) **References Cited**

U.S. PATENT DOCUMENTS

D582,806 S	12/2008	Schmid-Schweiger	
D583,796 S *	12/2008	Tanaka	D14/155
D609,701 S *	2/2010	Hou	D14/240
D678,258 S *	3/2013	Seto	D14/240
D682,806 S *	5/2013	Smith	D14/155
D693,798 S *	11/2013	Chuang	D14/240
D708,977 S *	7/2014	Corso	D10/104.1

D718,735 S *	12/2014	Lockenwitz	D14/155
D732,010 S *	6/2015	Hsiau	D14/240
D735,179 S *	7/2015	Yang	D14/240
D782,476 S *	3/2017	Yamazaki	D14/240
D802,650 S *	11/2017	Hoshi	D16/237
D808,356 S *	1/2018	Miller	D14/155
D816,057 S *	4/2018	Jue	D14/155
D823,274 S *	7/2018	Hu	D14/155
D831,606 S *	10/2018	Sun	D14/155

FOREIGN PATENT DOCUMENTS

EM	000489836-0006	4/2006
EM	003785468-0003	3/2017

* cited by examiner

Primary Examiner — Austin Murphy

(74) *Attorney, Agent, or Firm* — JCIP Global Inc.

(57) **CLAIM**

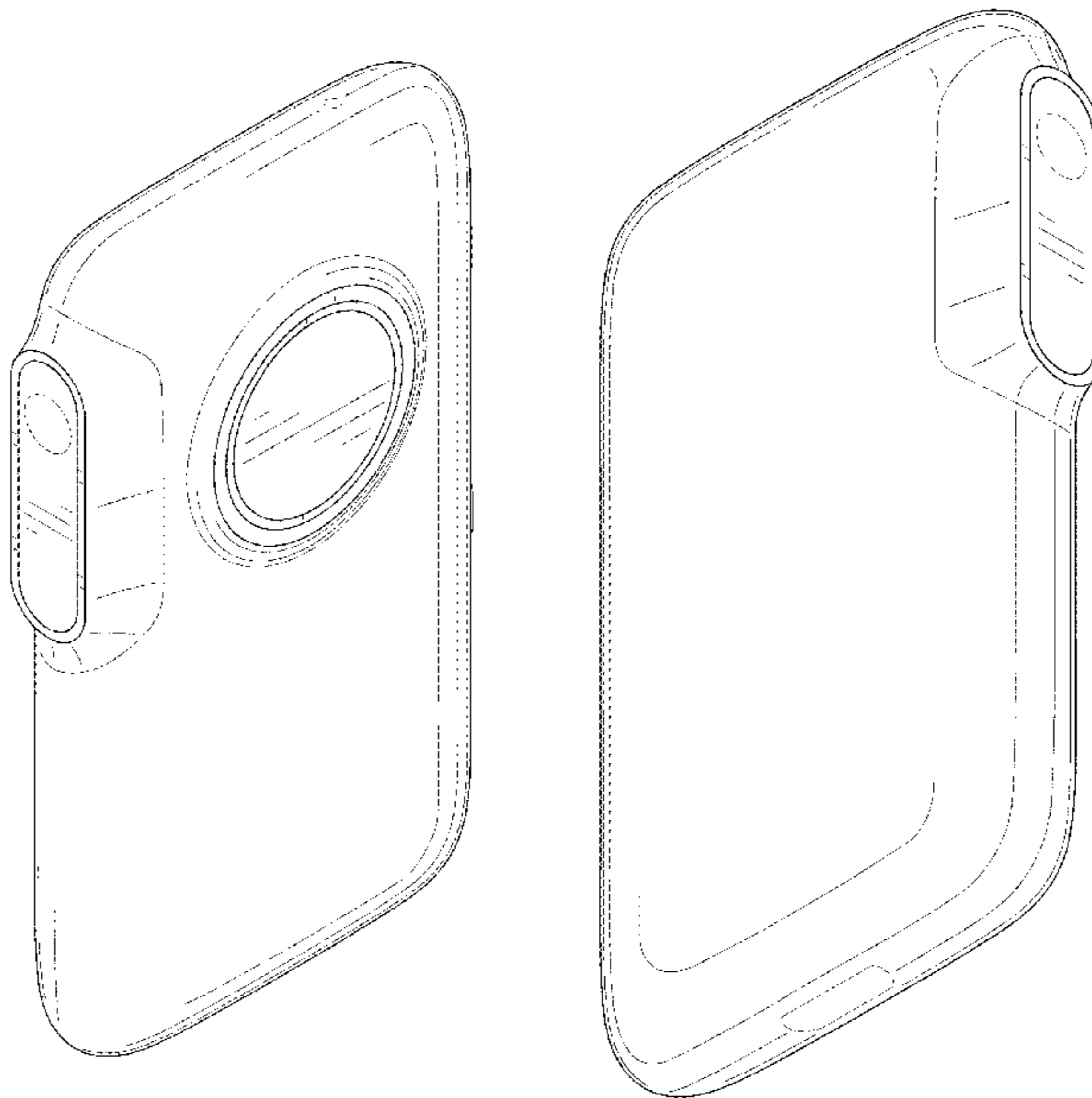
The ornamental design for a wireless transmitter, as shown and described.

DESCRIPTION

FIG. 1 is a perspective view of a wireless transmitter showing my new design;
FIG. 2 is another perspective view thereof;
FIG. 3 is a front view thereof;
FIG. 4 is a rear view thereof;
FIG. 5 is a left side view thereof;
FIG. 6 is a right side view thereof;
FIG. 7 is a top view thereof; and,
FIG. 8 is a bottom view thereof.

The broken lines showing portions of the wireless transmitter represent unclaimed portions of the claimed design and form no part of the claimed design.

1 Claim, 6 Drawing Sheets



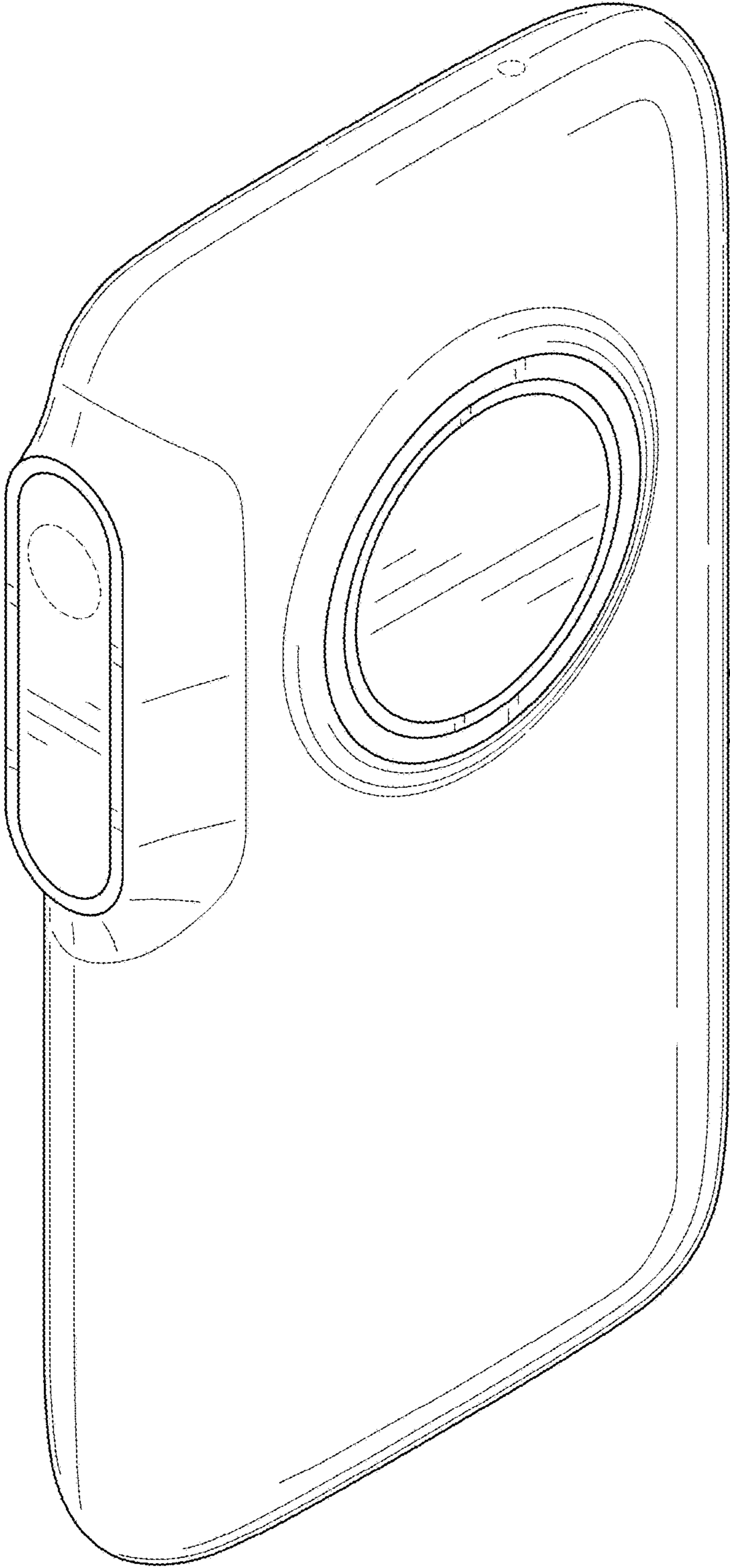


FIG. 1

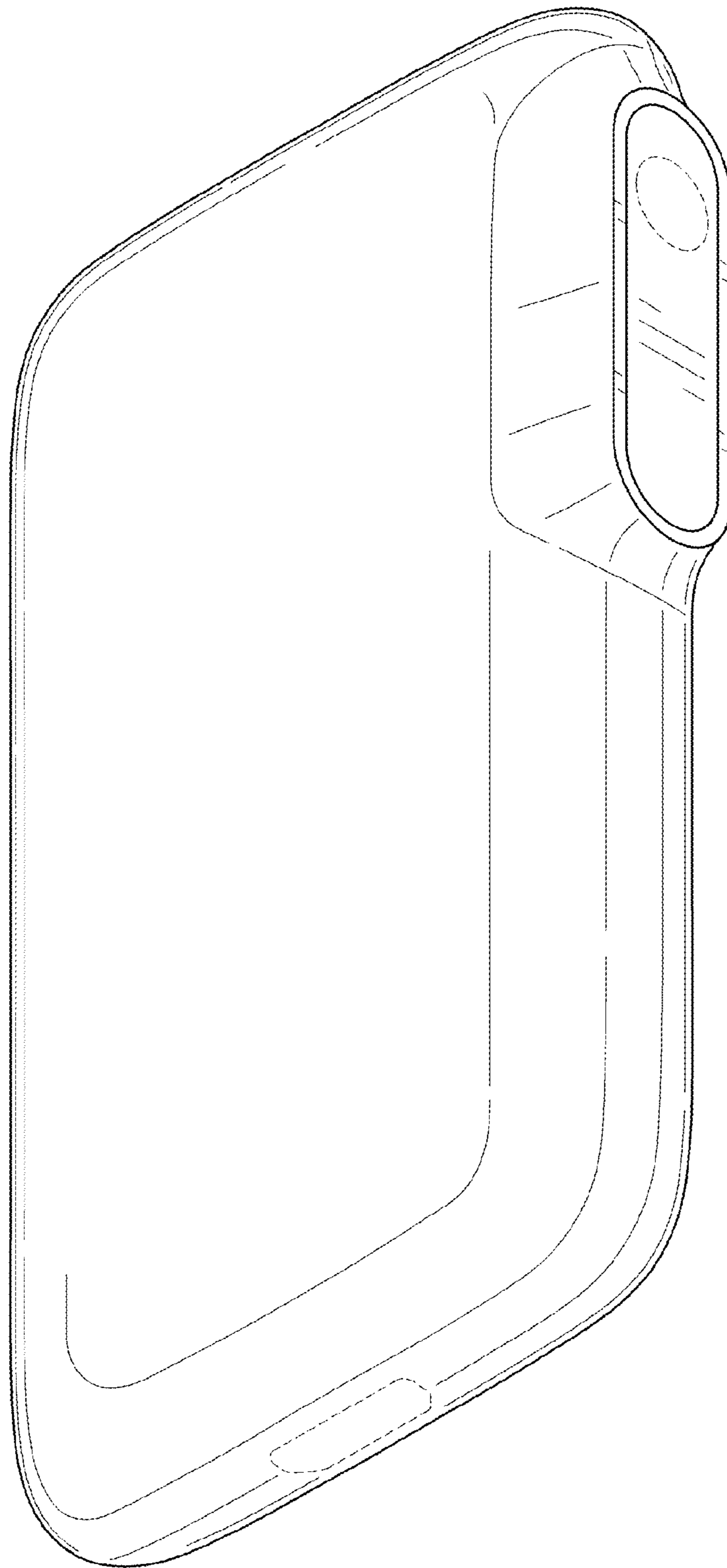


FIG. 2

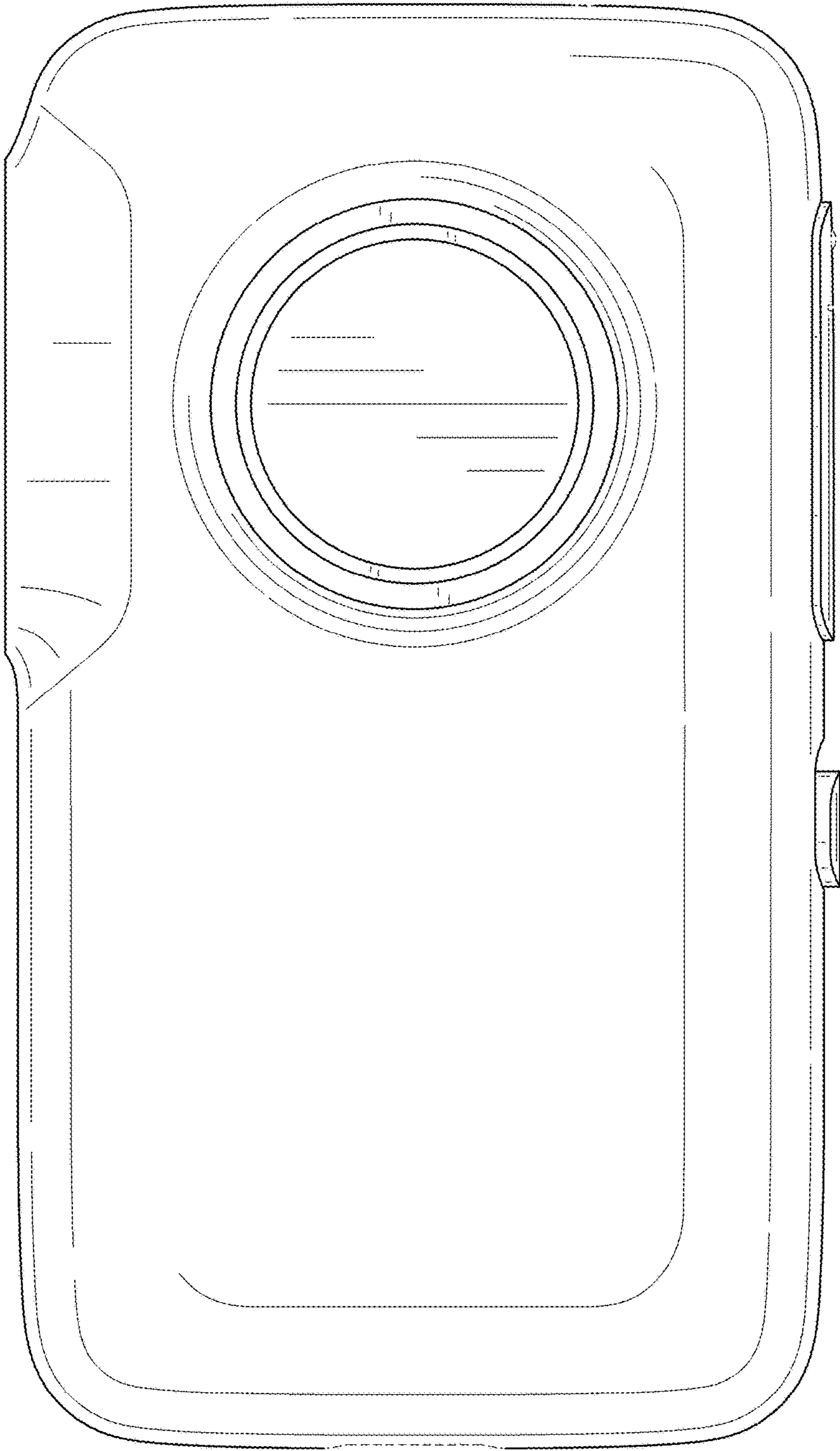


FIG. 3

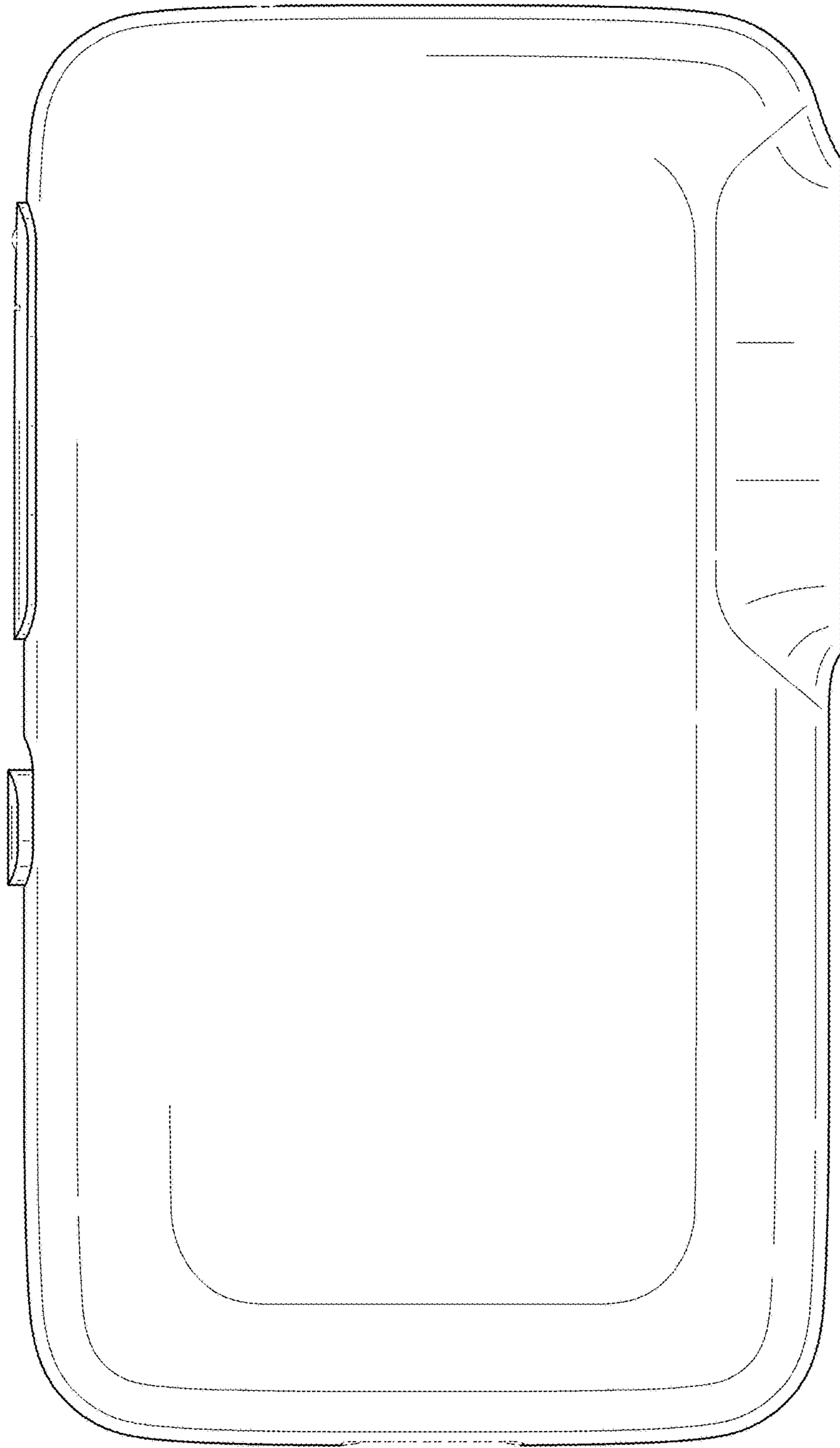


FIG. 4

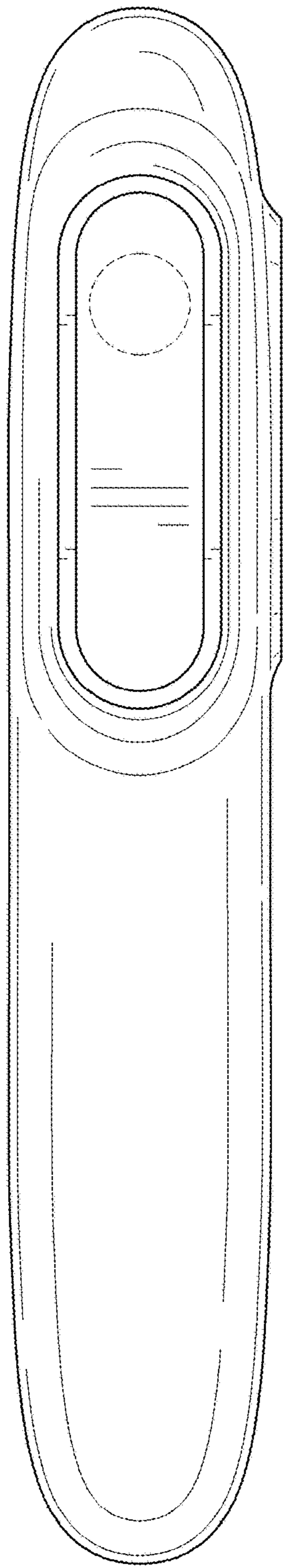


FIG. 5

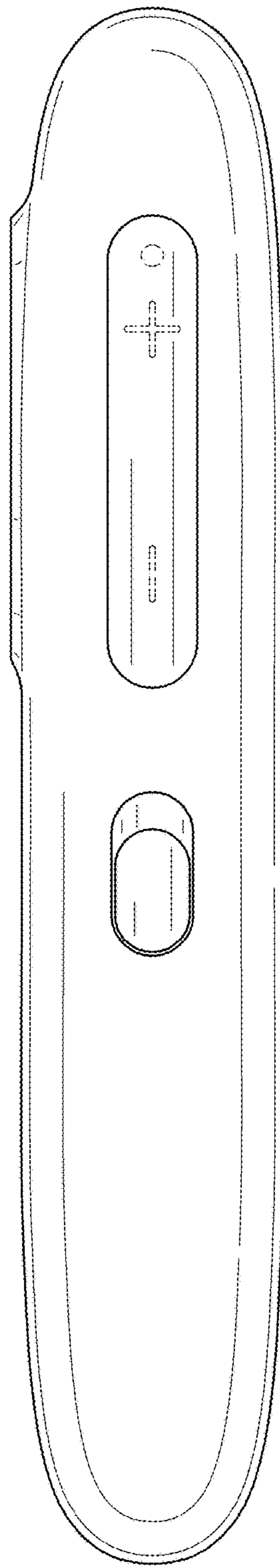


FIG. 6

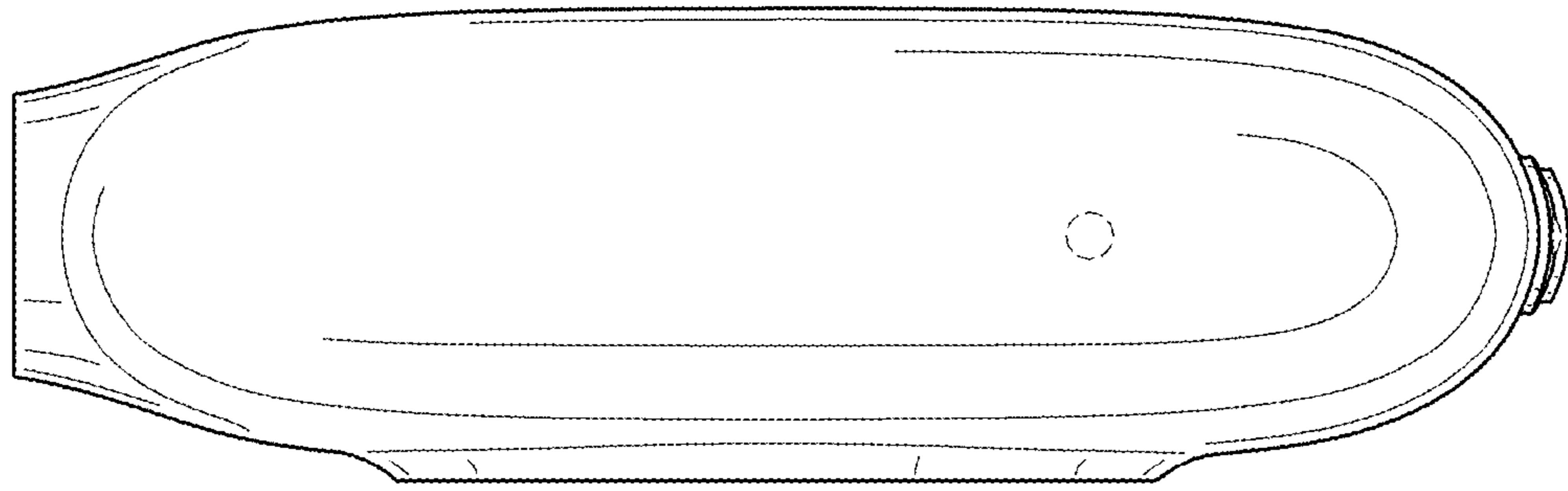


FIG. 7

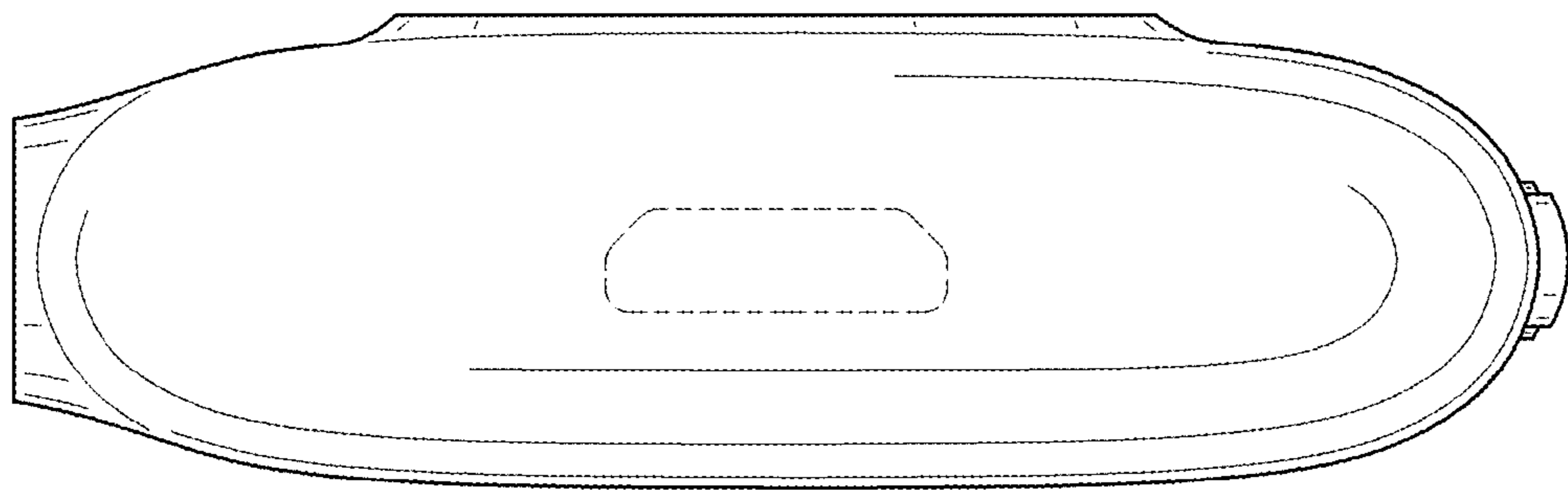


FIG. 8