



US00D852770S

(12) **United States Design Patent**
Baskett et al.

(10) **Patent No.:** **US D852,770 S**

(45) **Date of Patent:** **** Jul. 2, 2019**

(54) **PHONE BASE FOR HANDSET**

(71) Applicant: **Cisco Technology, Inc.**, San Jose, CA (US)

(72) Inventors: **Lawrence Jared Baskett**, Berkeley, CA (US); **Hyunsoo Lee**, San Francisco, CA (US); **Ian Matthew Snyder**, San Francisco, CA (US); **Joshua Markell**, San Francisco, CA (US); **Jennifer Ouk**, San Francisco, CA (US); **Nicholas James Kaoru Kawamoto**, Novato, CA (US); **Matthew M. U. Cho**, Fremont, CA (US)

(73) Assignee: **CISCO TECHNOLOGY, INC.**, San Jose, CA (US)

(**) Term: **15 Years**

(21) Appl. No.: **29/636,170**

(22) Filed: **Feb. 6, 2018**

(51) **LOC (11) Cl.** **14-03**

(52) **U.S. Cl.**
USPC **D14/151**

(58) **Field of Classification Search**
USPC ... D14/140, 140.1, 140.7, 140.8, 141.2, 142, D14/144, 147, 148, 149, 150, 151, 158, D14/159, 188, 217, 240, 243, 247, 248, D14/251, 299, 329, 462, 467, 471, 130, D14/403, 338; D21/517; D24/165
CPC H04M 1/00; H04M 1/003; H04M 1/02; H04M 1/0289; H04M 1/0297; H04M 1/0214; H04M 1/03; H04M 1/23; H04M 1/253; H04M 1/2535; H04M 7/006
See application file for complete search history.

(56) **References Cited**

U.S. PATENT DOCUMENTS

D323,657 S * 2/1992 Danielson 379/368
D356,087 S * 3/1995 Jarrett D14/151

D365,560 S * 12/1995 Buchin D14/151
D529,477 S * 10/2006 Hsu D14/151
D556,180 S * 11/2007 Udagawa D14/149
D565,020 S * 3/2008 Daly D14/149
D571,777 S * 6/2008 Waterman D14/151

(Continued)

Primary Examiner — Marie D. Fast Horse

(74) *Attorney, Agent, or Firm* — Polsinelli PC

(57) **CLAIM**

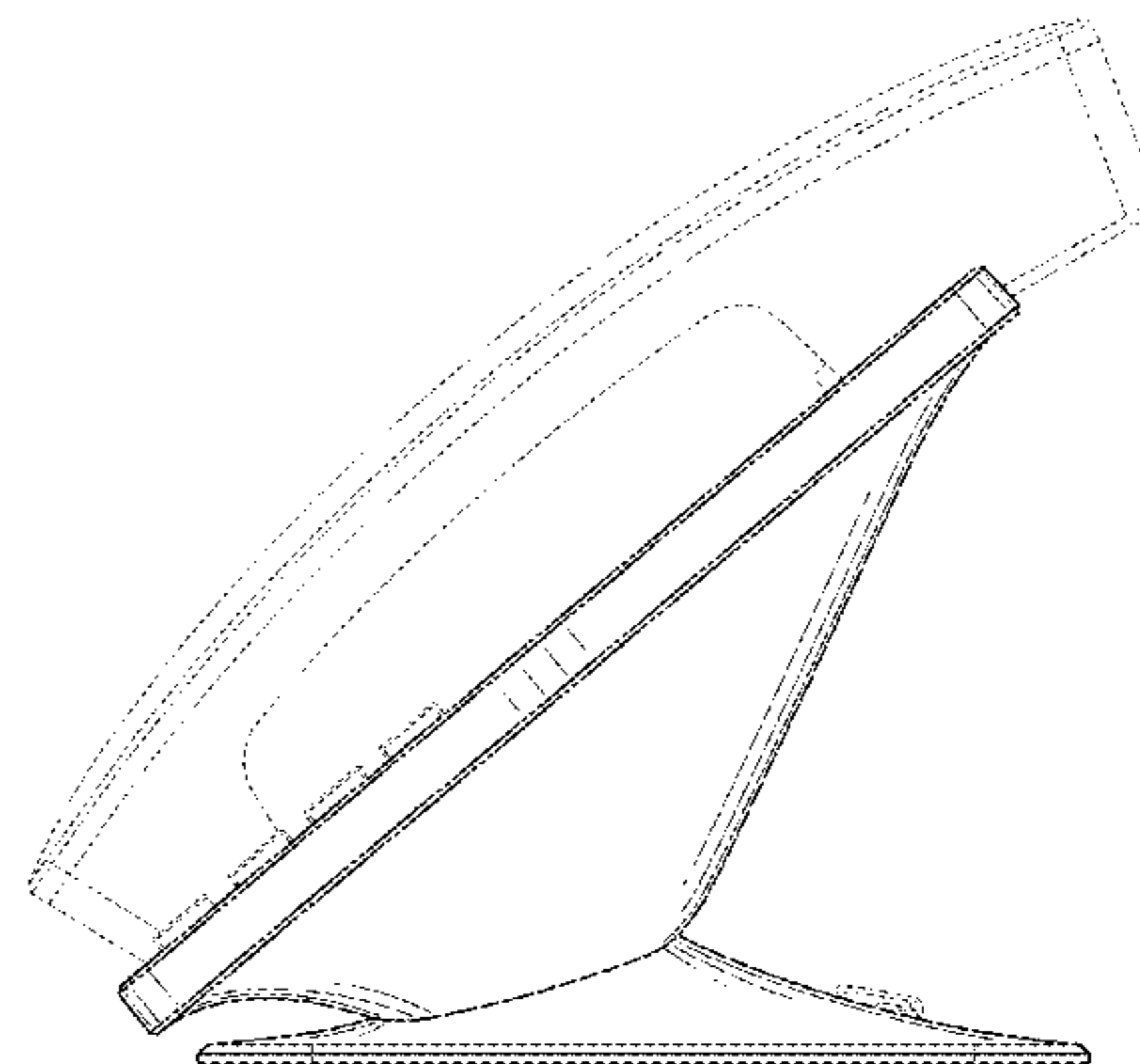
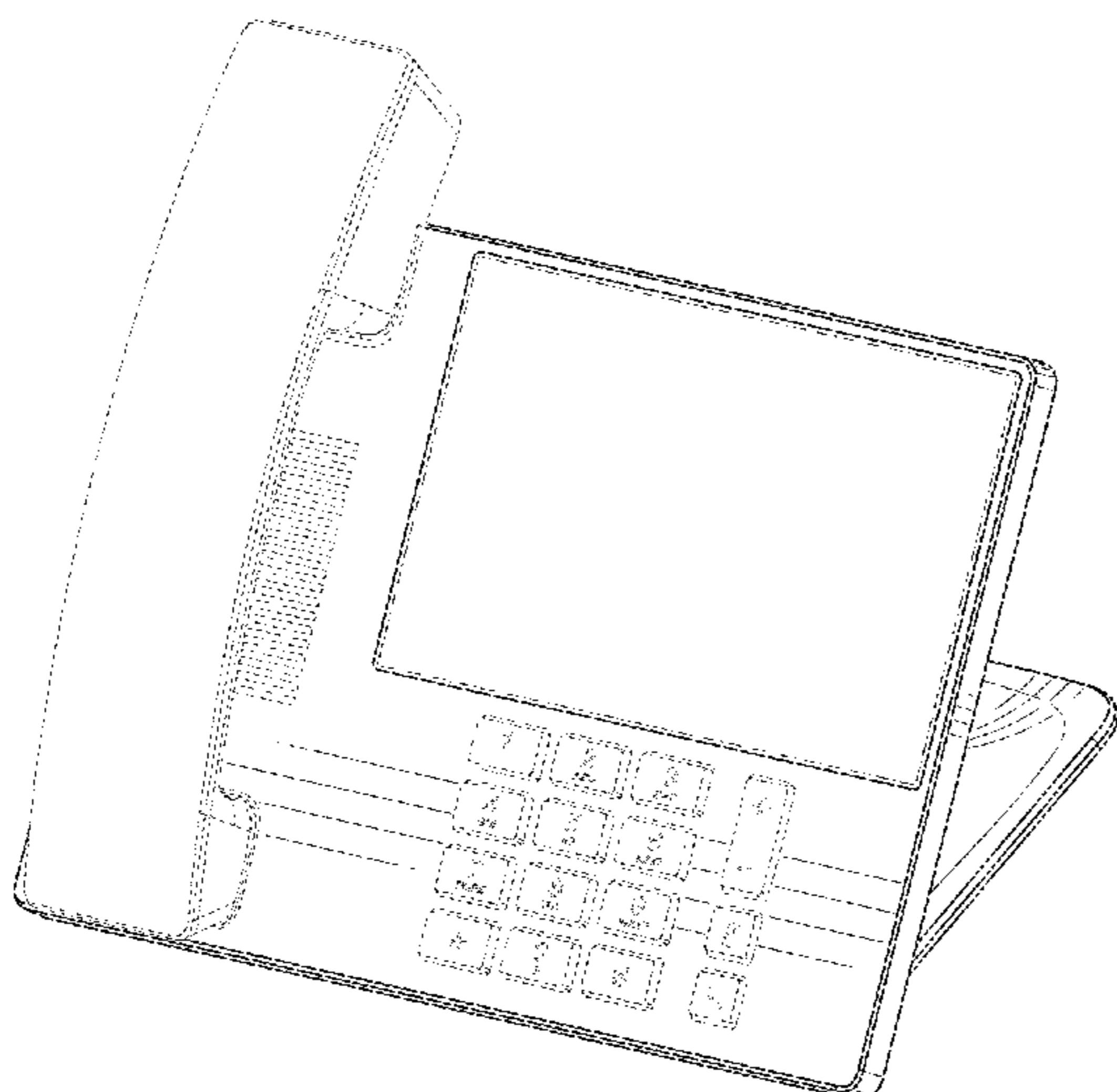
We claim the ornamental design for a phone base for handset, as shown and described.

DESCRIPTION

FIG. 1 is a perspective view of a phone base for handset, showing our new design;
FIG. 2 is a front elevational view thereof;
FIG. 3 is a rear elevational view thereof;
FIG. 4 is a right side elevational view thereof;
FIG. 5 is a left side elevational view thereof;
FIG. 6 is a top plan view thereof;
FIG. 7 is a bottom plan view thereof;
FIG. 8 is an exploded, top-left perspective view thereof;
FIG. 9 is an exploded, bottom-right perspective view thereof;
FIG. 10 is a right side elevational view of the phone base for handset of FIG. 1 in a first configuration;
FIG. 11 is a right side elevational view of the phone base for handset of FIG. 1 in a second configuration; and,
FIG. 12 is a right side elevational view of the phone base for handset of FIG. 1 in a third configuration.

The broken lines consisting of unevenly sized dashes define the boundary of the claim, which extends to the boundary but does not include the boundary. The broken lines showing the handset depict environmental subject matter only and form no part of the claim, while all other broken lines depict portions of the phone base for handset that form no part of the claimed design. All broken lines form no part of the claim.

1 Claim, 12 Drawing Sheets



(56)

References Cited

U.S. PATENT DOCUMENTS

D596,598	S *	7/2009	Huang	D14/130
D608,316	S *	1/2010	Quiros	D14/130
D616,843	S *	6/2010	Jones	D14/130
D652,816	S *	1/2012	Compoginis	D14/151
D653,646	S *	2/2012	Hovdal	D14/142
D657,773	S *	4/2012	Corsini	D14/151
D658,627	S *	5/2012	Katori	D14/130
D661,266	S *	6/2012	Laube	D14/126
D675,592	S *	2/2013	Fuxen	D14/151
D676,016	S *	2/2013	Akatsu	D14/142
D686,183	S *	7/2013	Basart	D14/151
D686,184	S *	7/2013	Takahata	D14/151
D723,502	S *	3/2015	Chun	D14/130
D723,503	S *	3/2015	Jeon	D14/130
D733,675	S *	7/2015	Jeon	D14/151
D738,845	S *	9/2015	Kwak	D14/151
D742,849	S *	11/2015	Moon	D14/140.8
D757,677	S *	5/2016	Hutt	D14/151
D784,283	S *	4/2017	Snyder	D14/144
D784,285	S *	4/2017	Jeon	D14/151
D794,597	S *	8/2017	Ookawa	D14/150
9,762,709	B1 *	9/2017	Snyder	H04M 1/02
2009/0309002	A1 *	12/2009	Shimotoso	H04M 1/0297 248/397

* cited by examiner

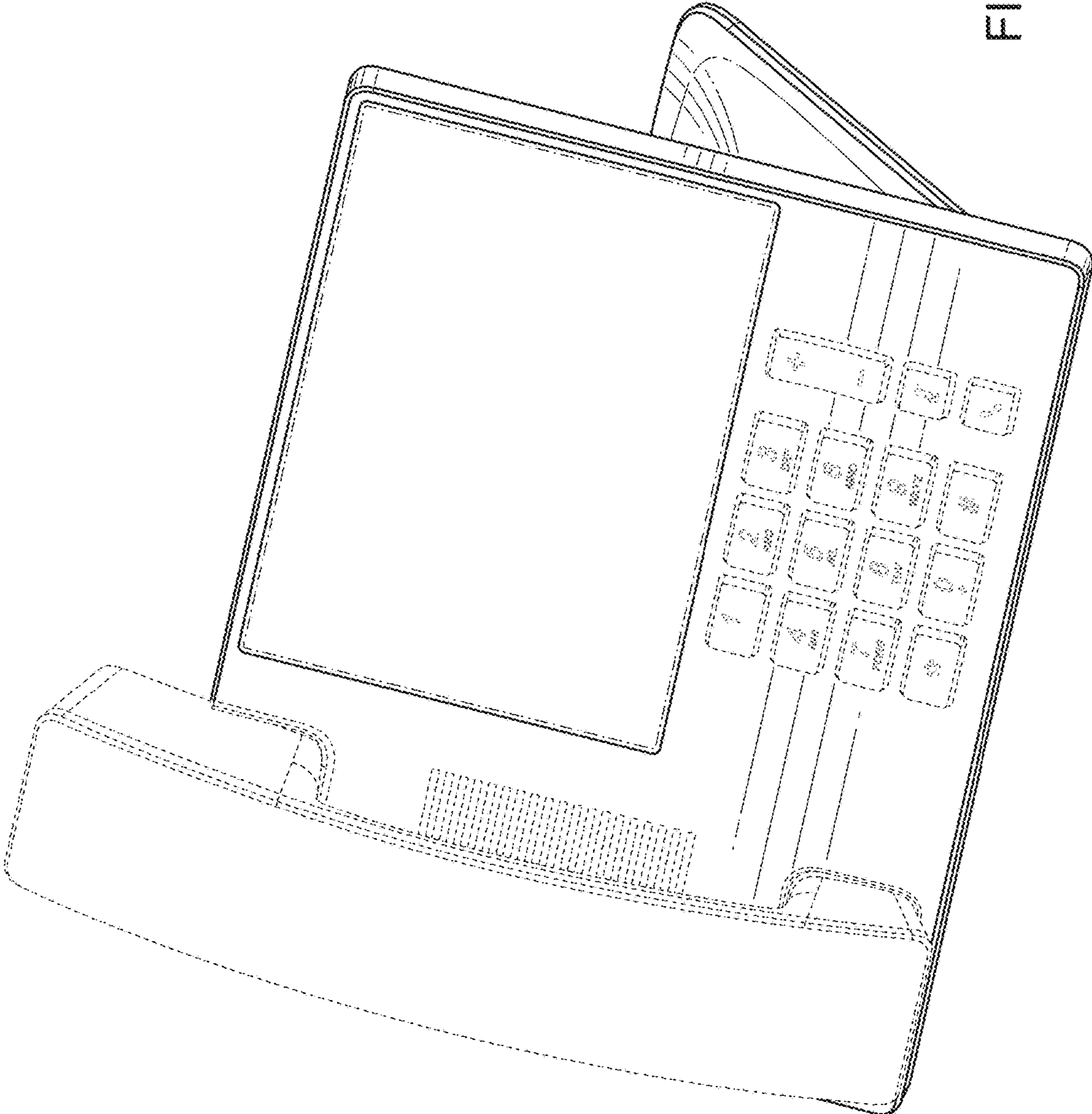


FIG. 1

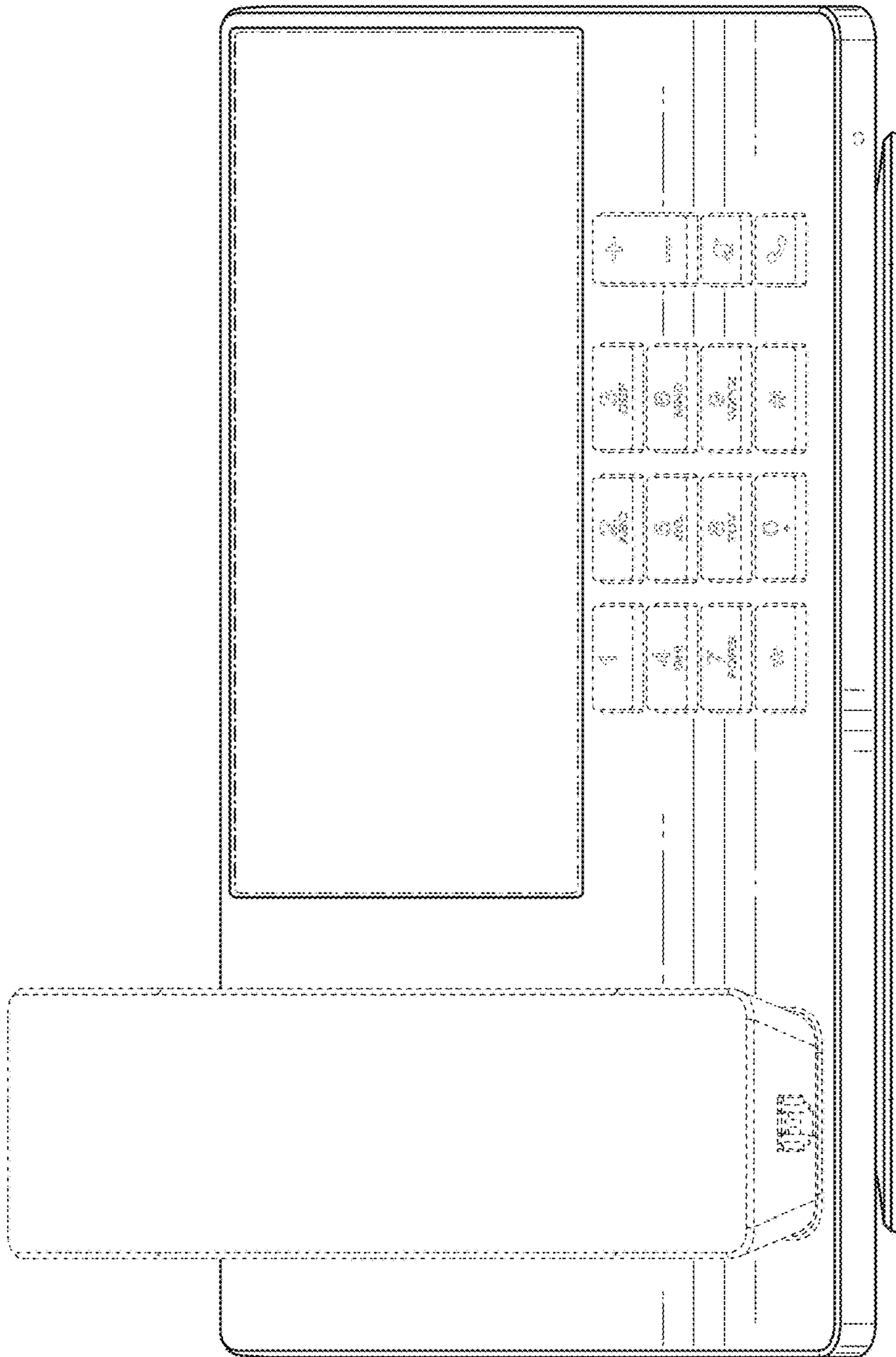


FIG. 2

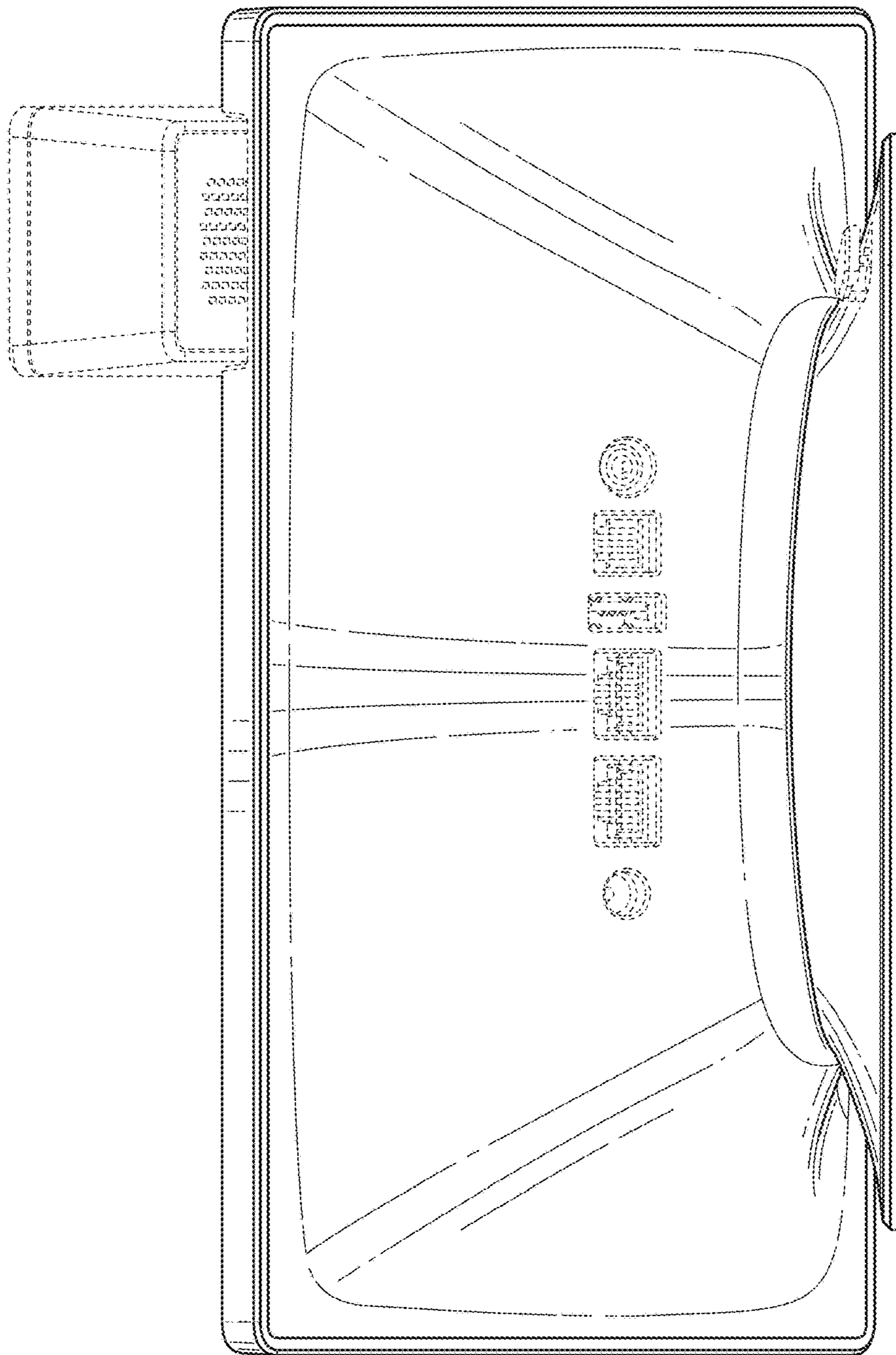


FIG. 3

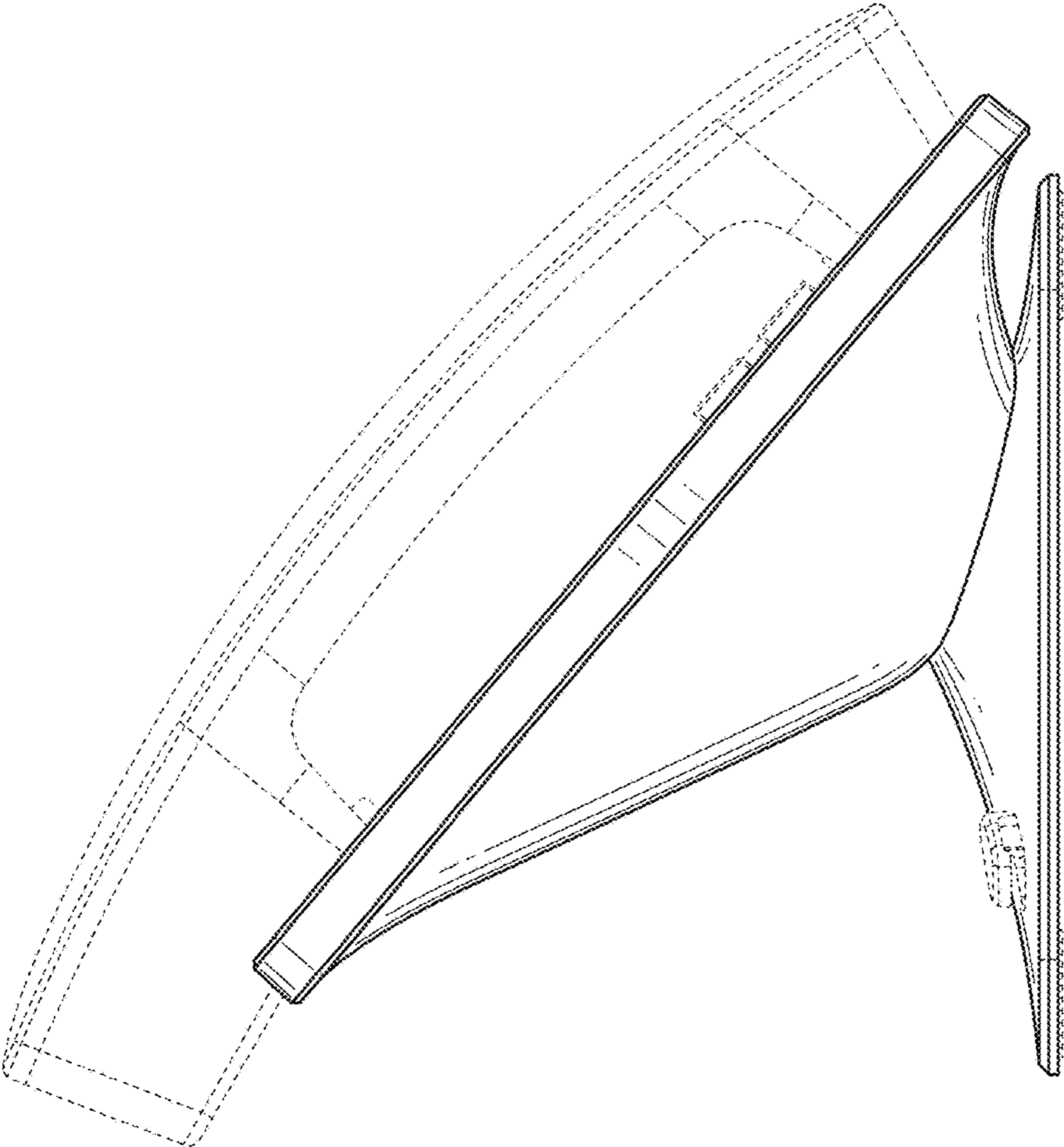


FIG. 4

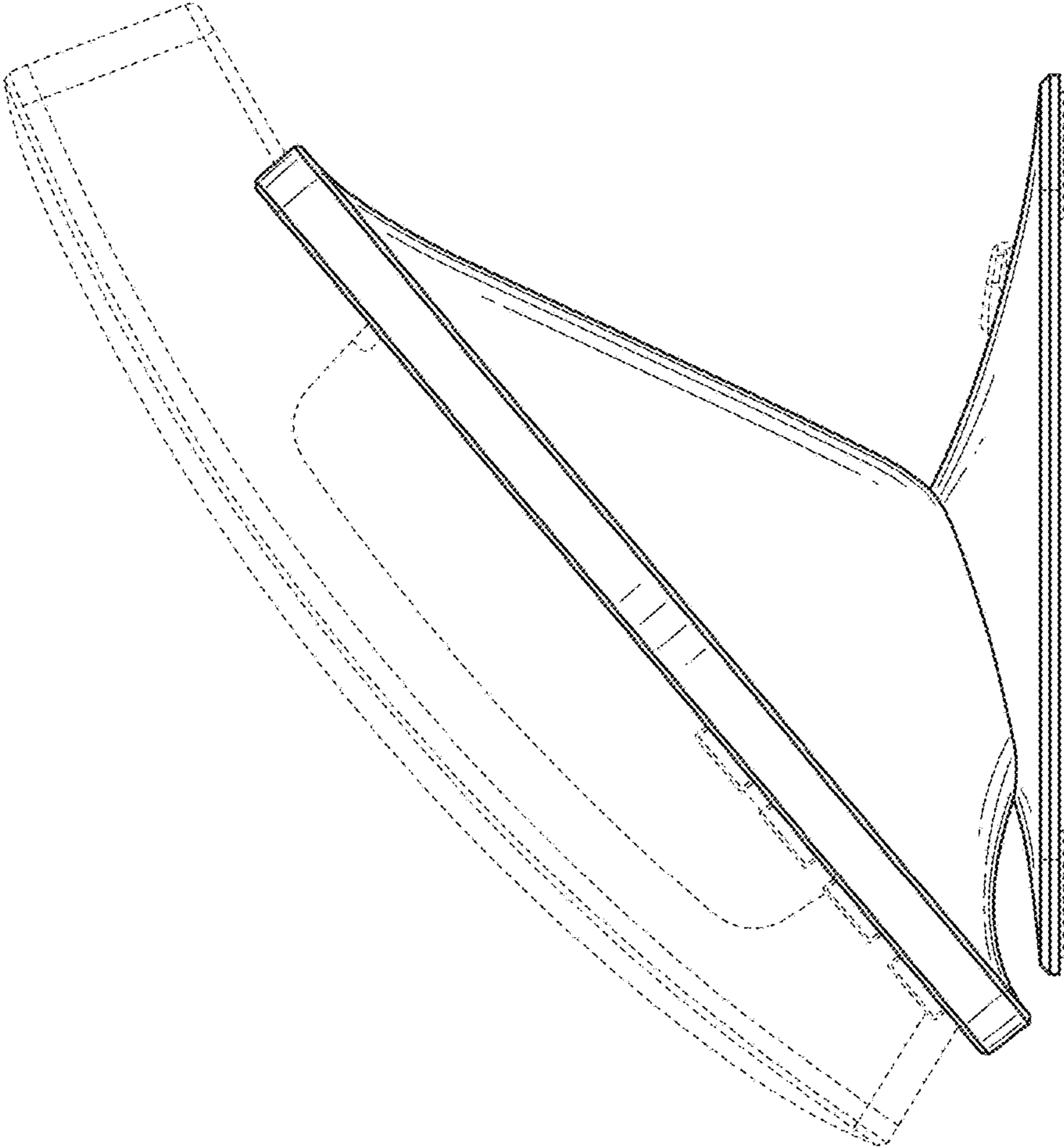


FIG. 5

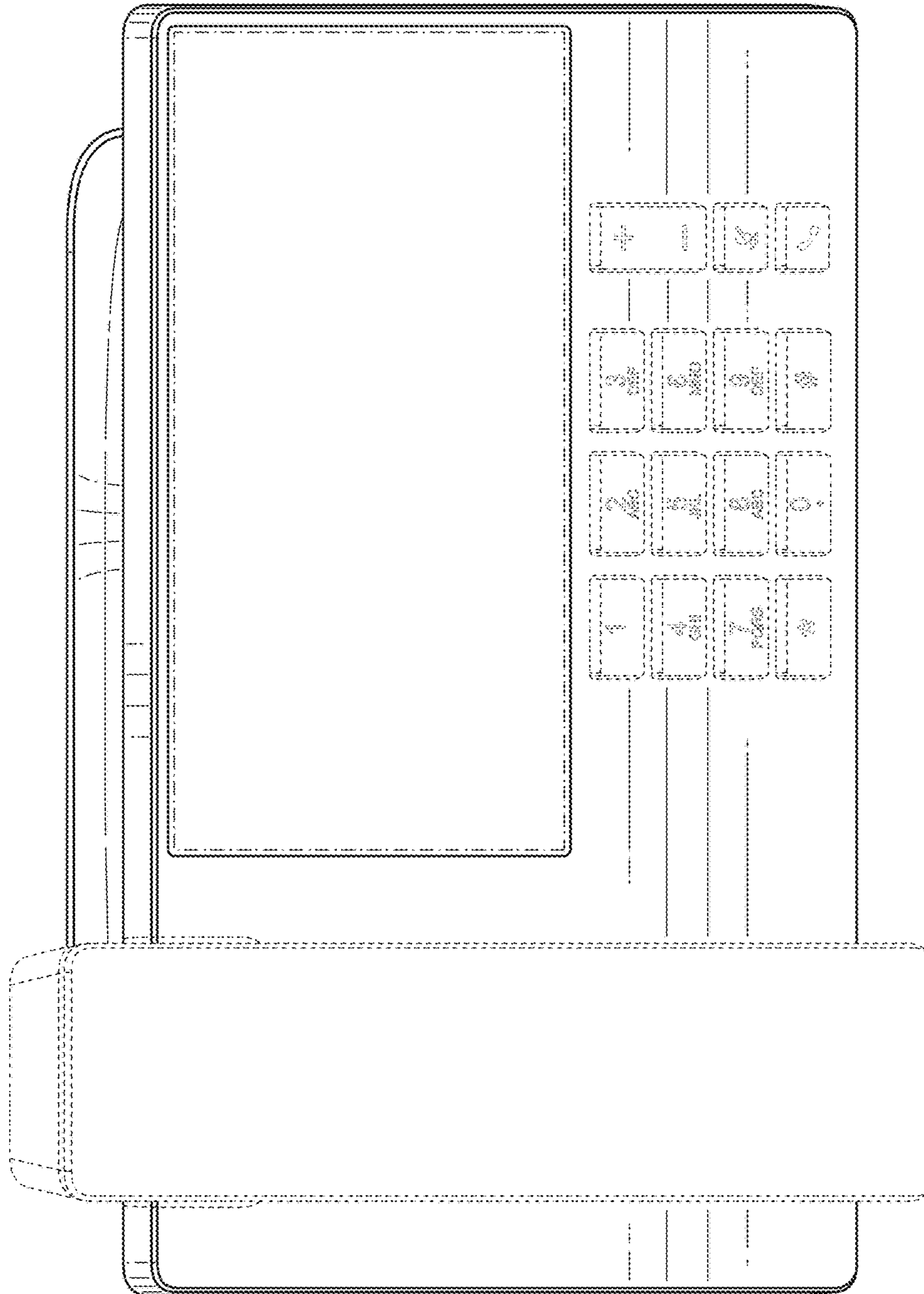


FIG. 6

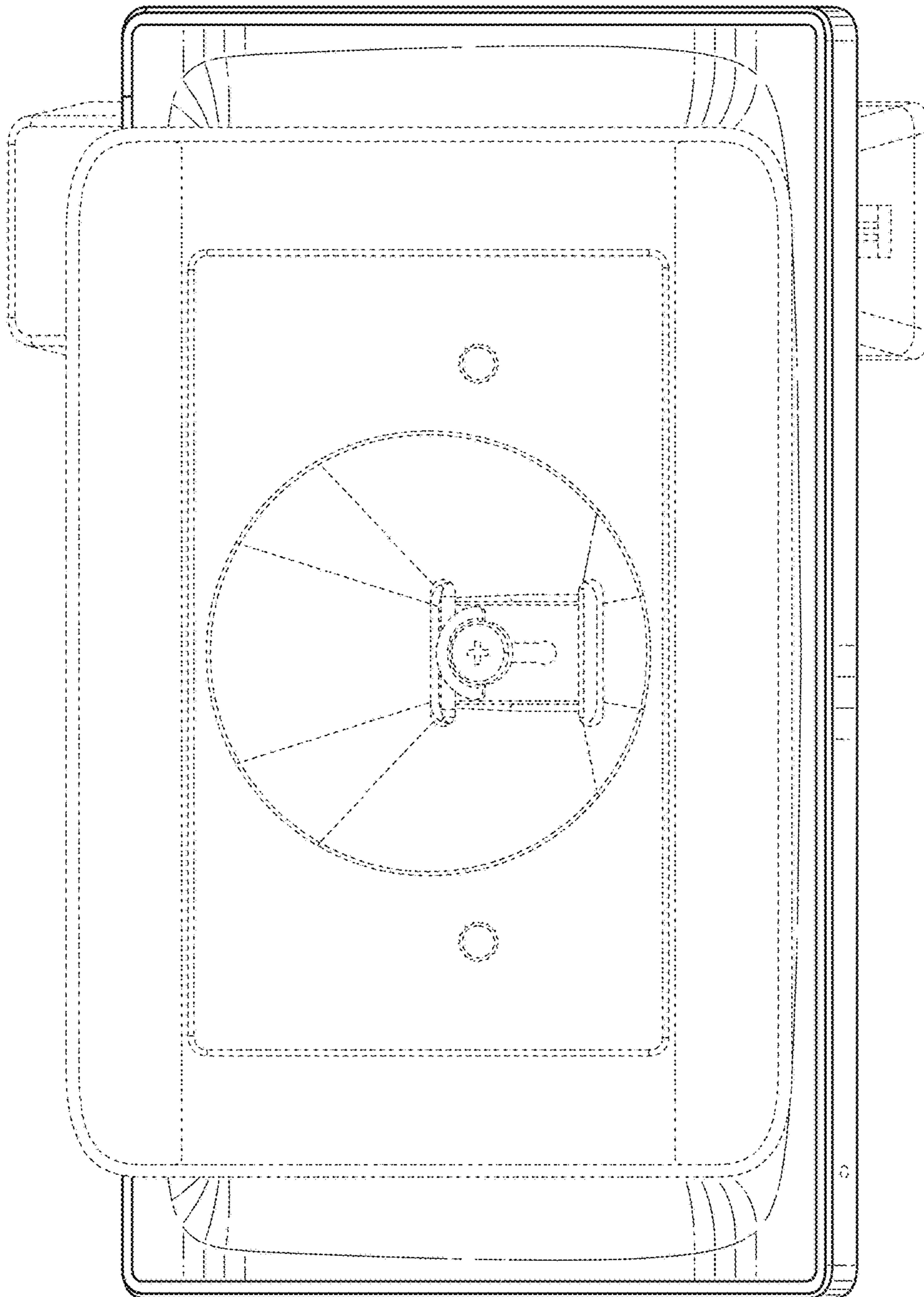


FIG. 7

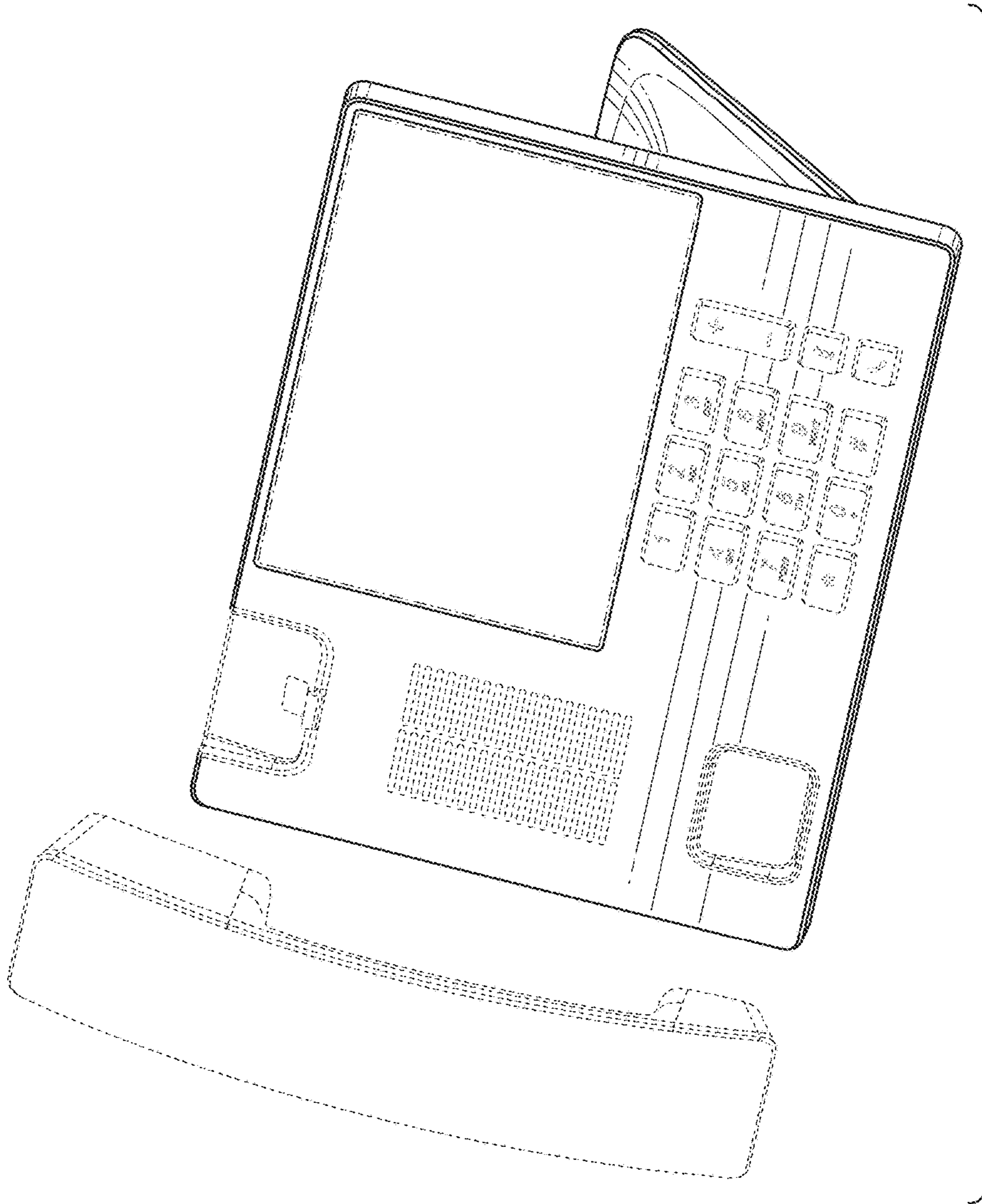


FIG. 8

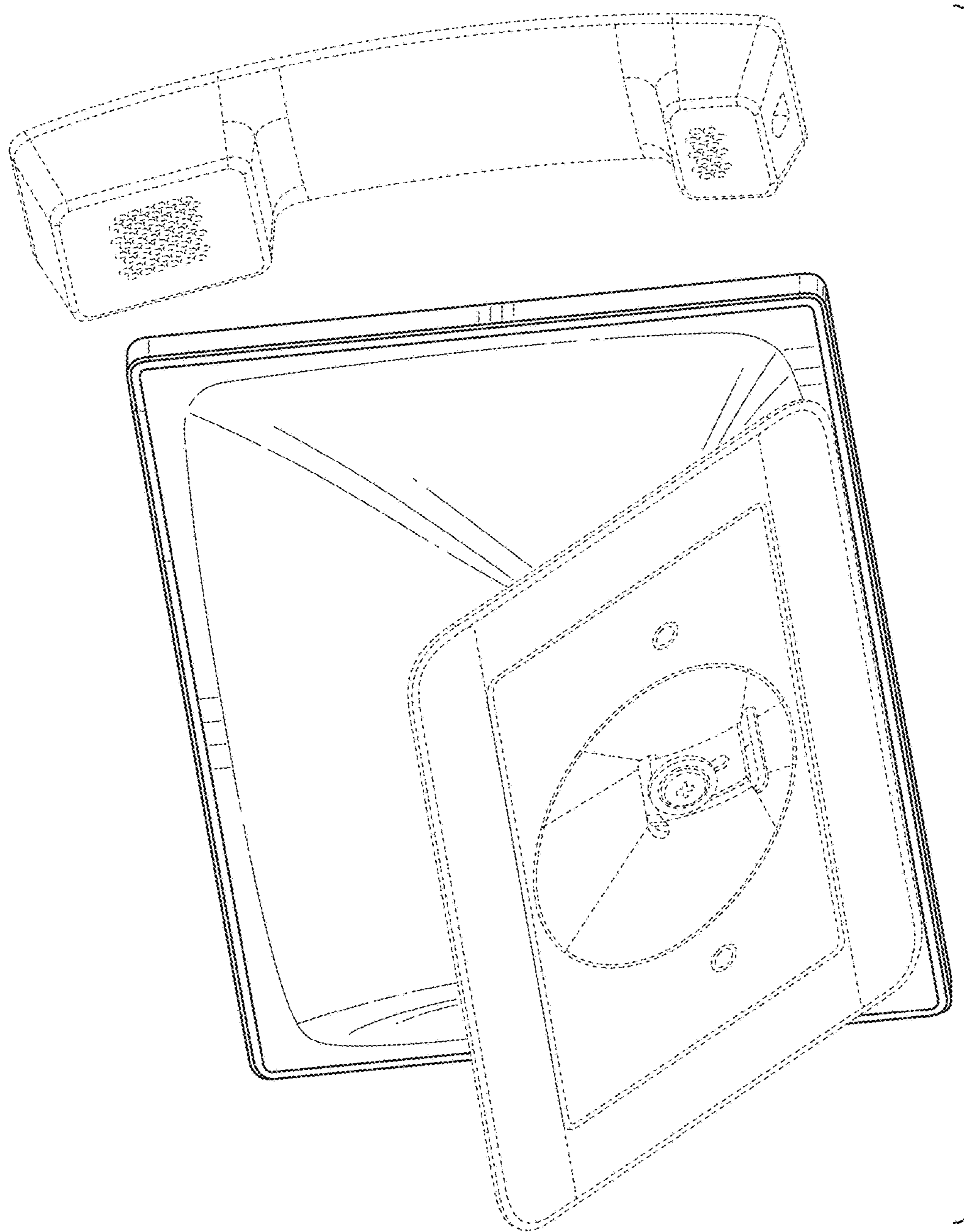


FIG. 9

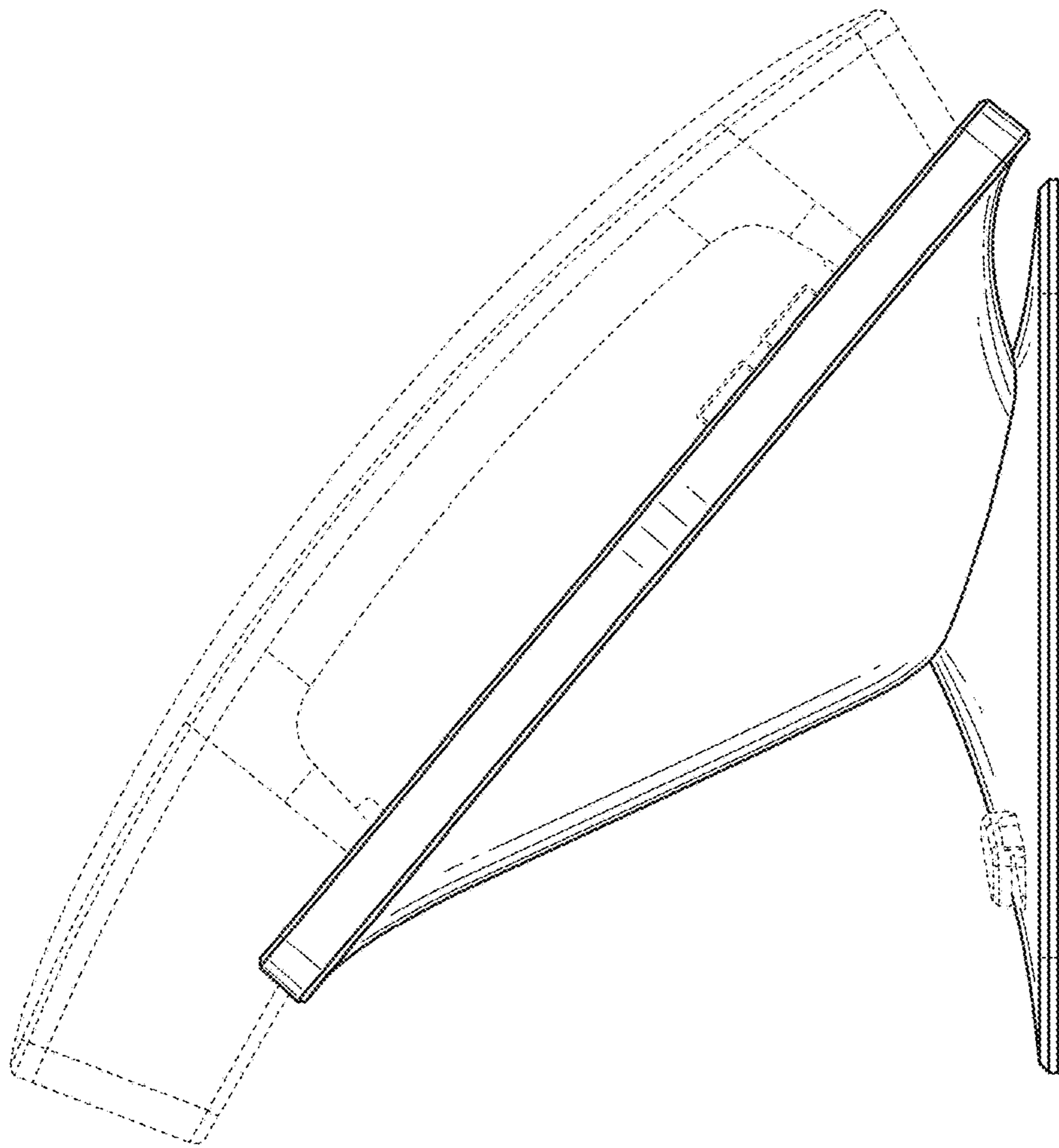


FIG. 10

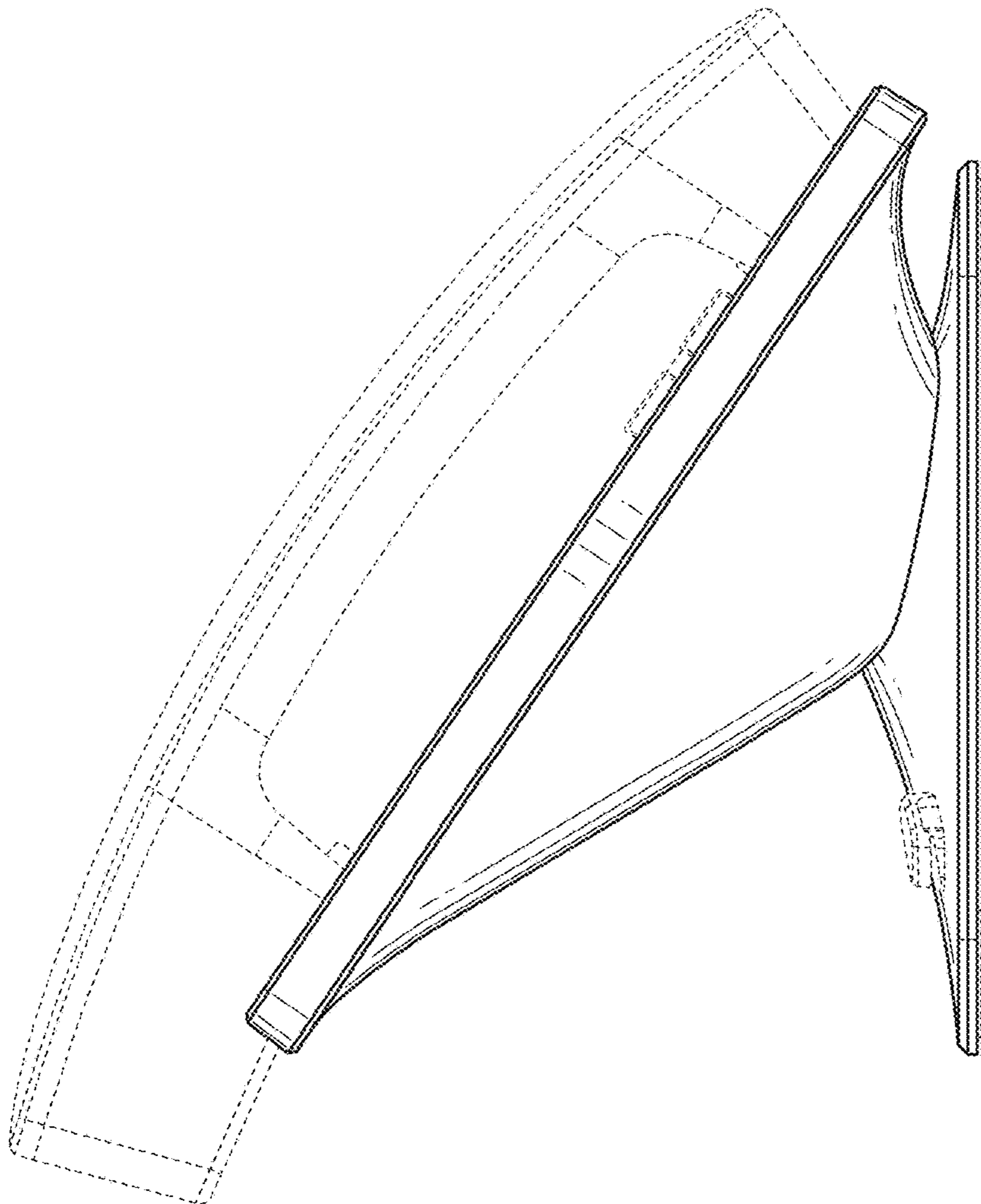


FIG. 11

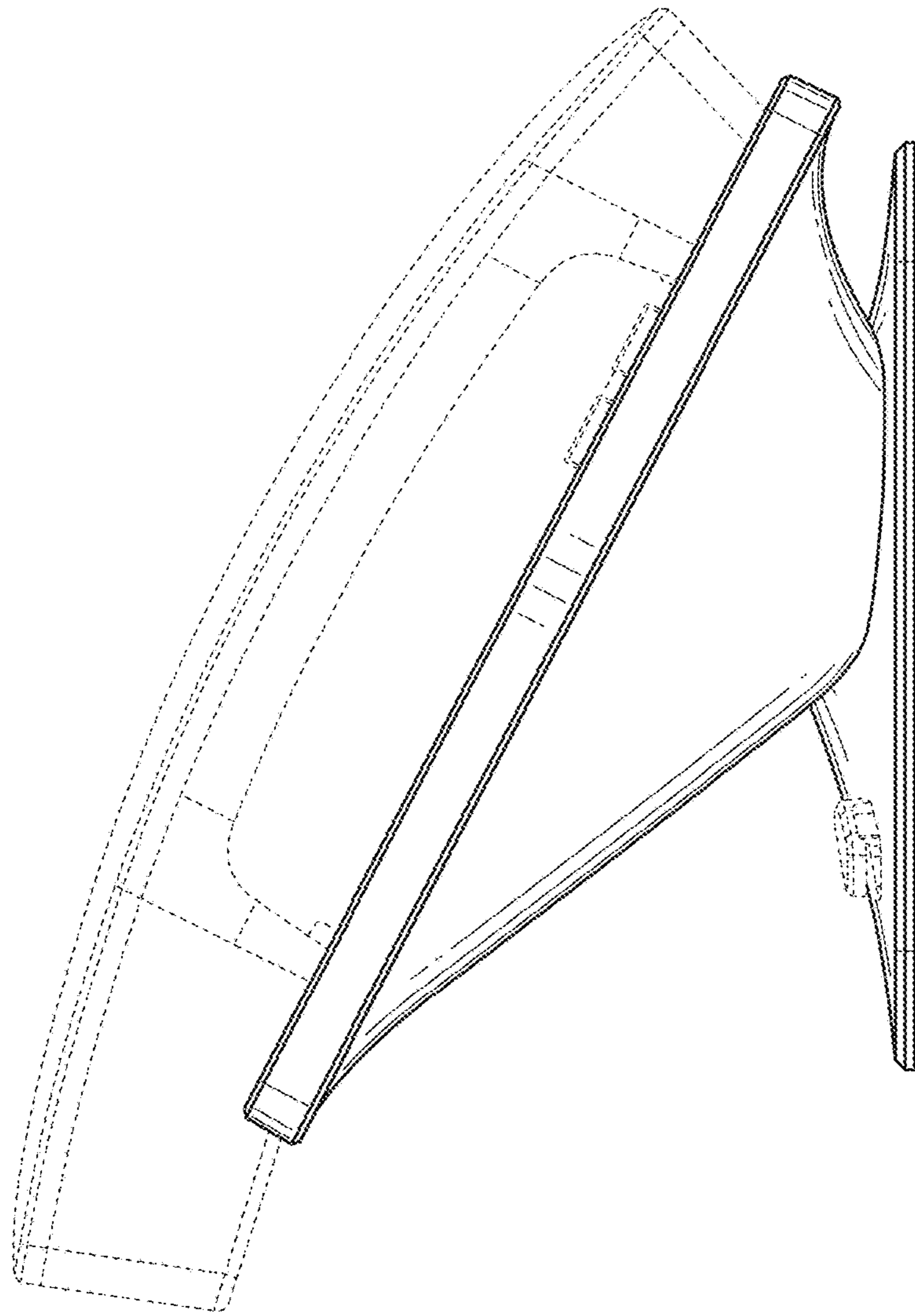


FIG. 12