



US00D852764S

(12) **United States Design Patent**
Cline

(10) **Patent No.:** **US D852,764 S**

(45) **Date of Patent:** **** Jul. 2, 2019**

(54) **CIRCUIT BREAKER BOARD FOR A PORTABLE ISOLATION POWER SUPPLY**

(71) Applicant: **David W. Cline**, Alexandria, KY (US)

(72) Inventor: **David W. Cline**, Alexandria, KY (US)

(**) Term: **15 Years**

(21) Appl. No.: **29/630,496**

(22) Filed: **Dec. 21, 2017**

(51) **LOC (11) Cl.** **13-03**

(52) **U.S. Cl.**
USPC **D13/182**

(58) **Field of Classification Search**
USPC D13/118, 178, 182, 199
CPC . H02B 1/04; H02B 1/015; H02B 1/14; H01H 50/14; H01H 9/54; H05K 1/141; H05K 1/18; H05K 1/181; H05K 3/30; H05K 3/303

See application file for complete search history.

(56) **References Cited**

U.S. PATENT DOCUMENTS

5,300,735	A *	4/1994	Yokono	H01L 21/4857
					174/250
D493,152	S *	7/2004	Baker	D13/182
10,187,995	B2 *	1/2019	Utz	H05K 1/181
2002/0162215	A1 *	11/2002	Kledzik	H01L 25/105
					29/650
2015/0137915	A1 *	5/2015	Mills	H01H 71/12
					335/11
2016/0014897	A1 *	1/2016	Strobel-Maier	H01L 23/3735
					361/728

2016/0204582	A1 *	7/2016	Lee	H02B 1/20
					361/624
2018/0191091	A1 *	7/2018	Kim	H01R 12/716
2018/0206344	A1 *	7/2018	Deng	H01R 12/515

* cited by examiner

Primary Examiner — Selina Sikder

(74) *Attorney, Agent, or Firm* — Russ Weinzimmer & Associates, P.C.

(57) **CLAIM**

The ornamental design for a circuit breaker board for a portable isolation power supply, as shown and described.

DESCRIPTION

FIG. 1 is a perspective view showing the top, front, and right sides of an exemplary embodiment of a circuit breaker board for a portable isolation power supply showing a plurality of circuit breaker sockets;

FIG. 2 is a top view showing the top of the circuit breaker board for a portable isolation power supply, showing a plurality of circuit breaker sockets;

FIG. 3 is a bottom view showing the bottom of the circuit breaker board for a portable isolation power supply;

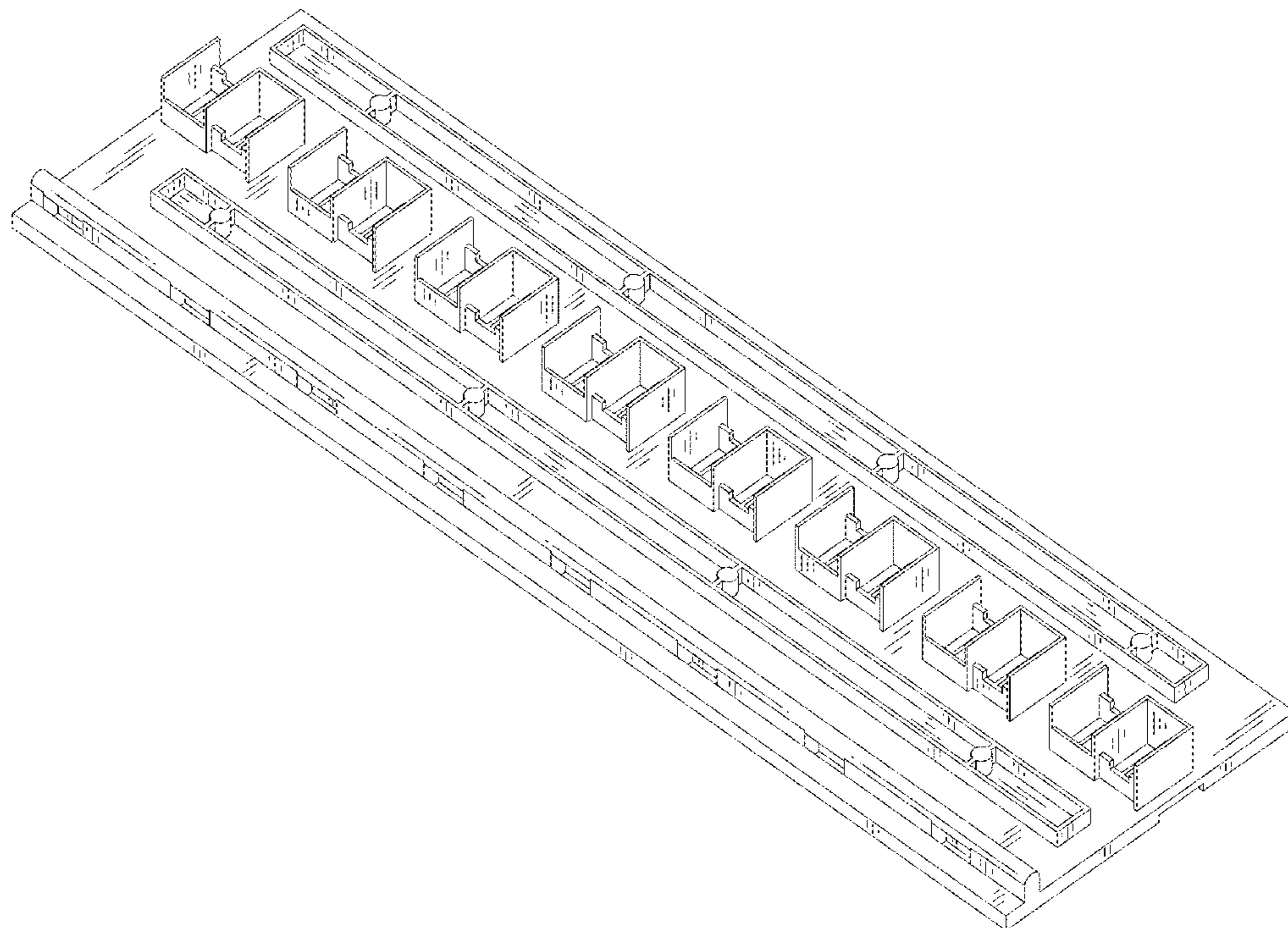
FIG. 4 is a front view of the front of the circuit breaker board for a portable isolation power supply;

FIG. 5 is a rear view of the rear of the circuit breaker board for a portable isolation power supply;

FIG. 6 is a right side view showing the right side of the circuit breaker board for a portable isolation power supply; and,

FIG. 7 is a left side view showing the left side of the circuit breaker board for a portable isolation power supply.

1 Claim, 4 Drawing Sheets



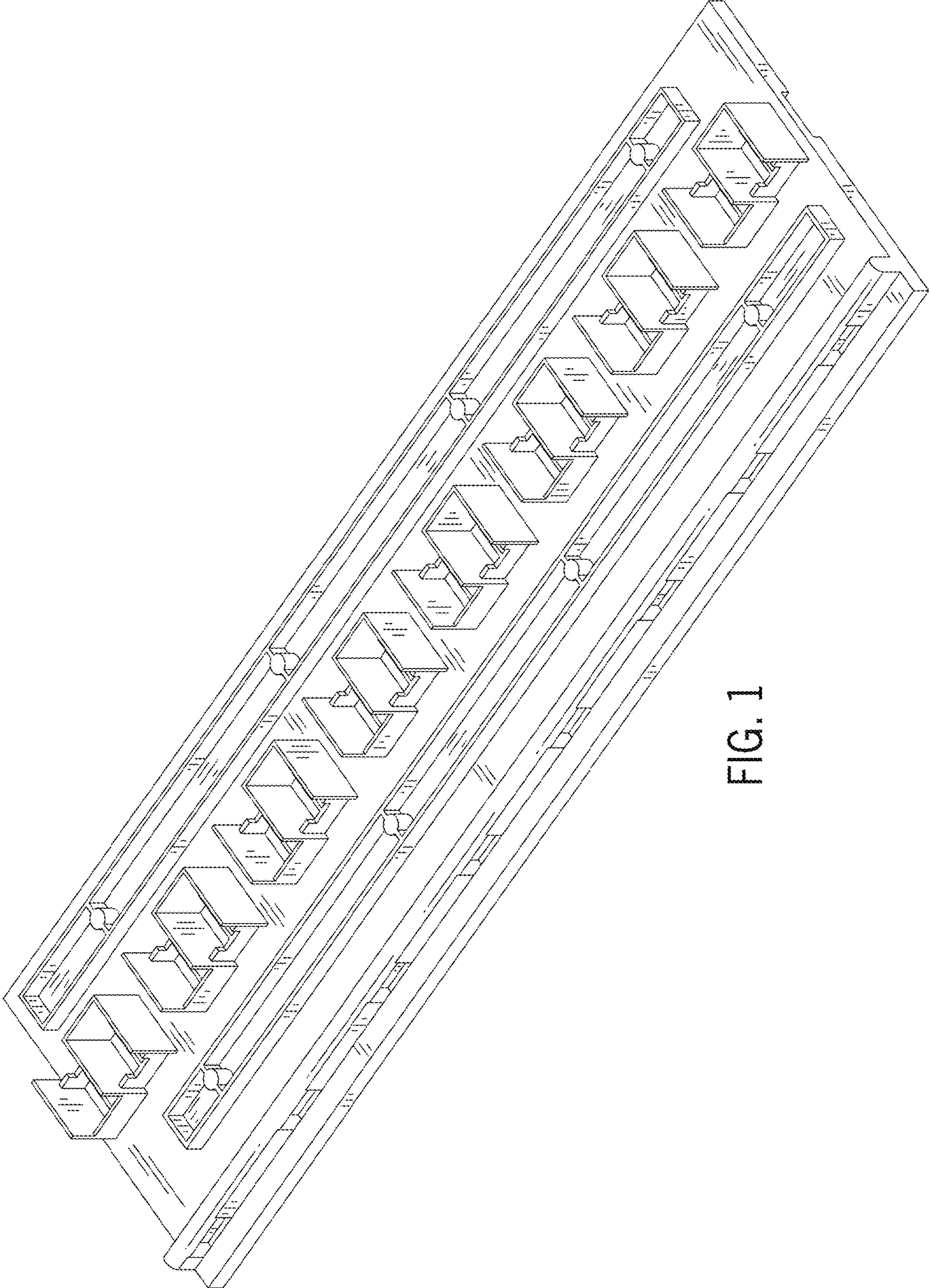


FIG. 1

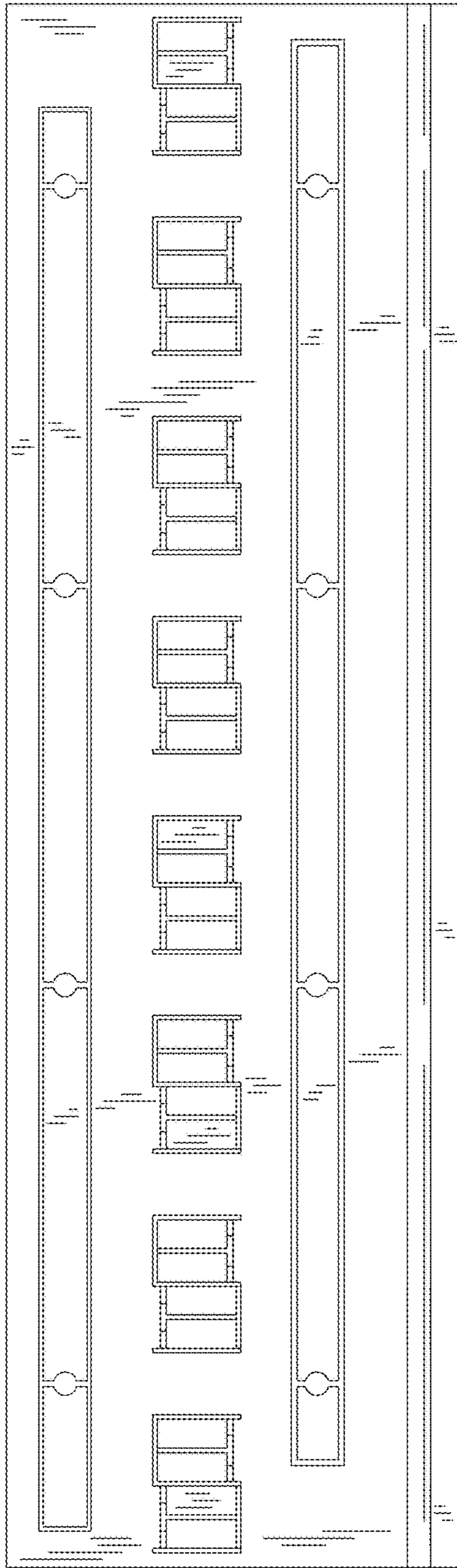


FIG. 2

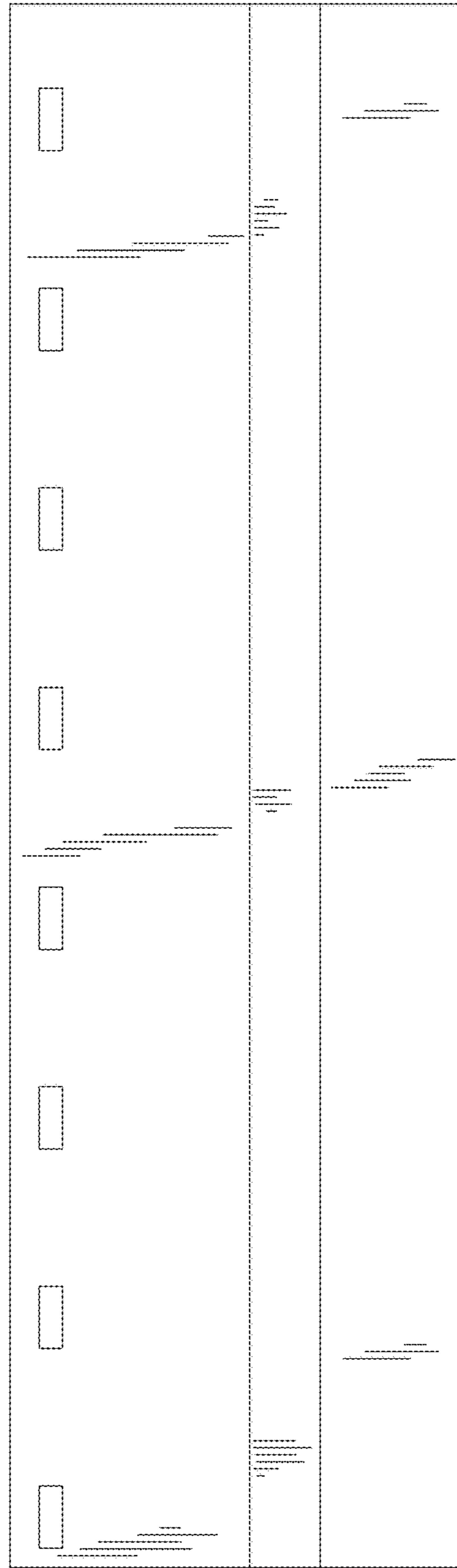


FIG. 3

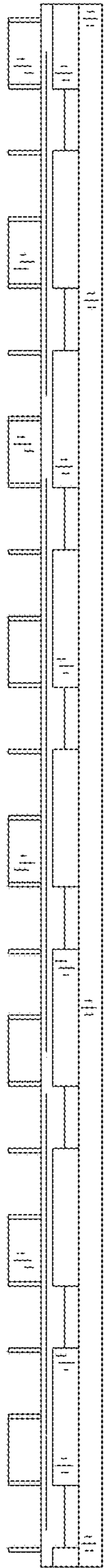


FIG. 4

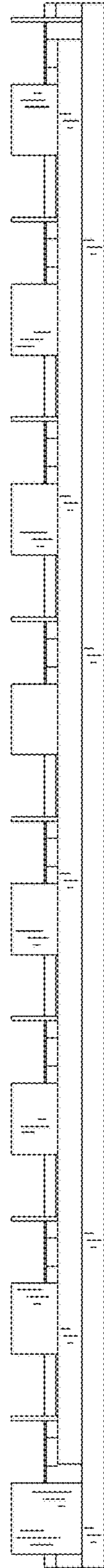


FIG. 5

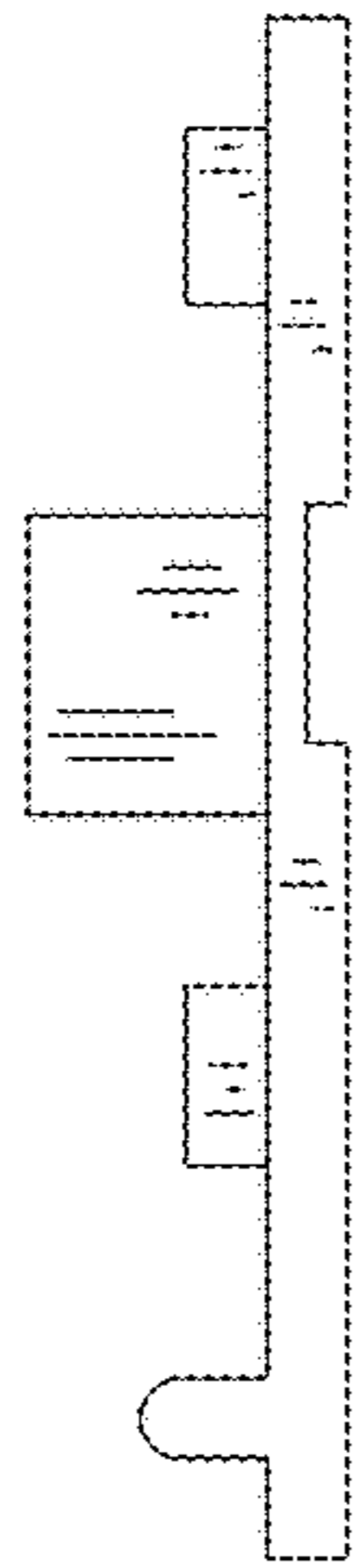


FIG. 6

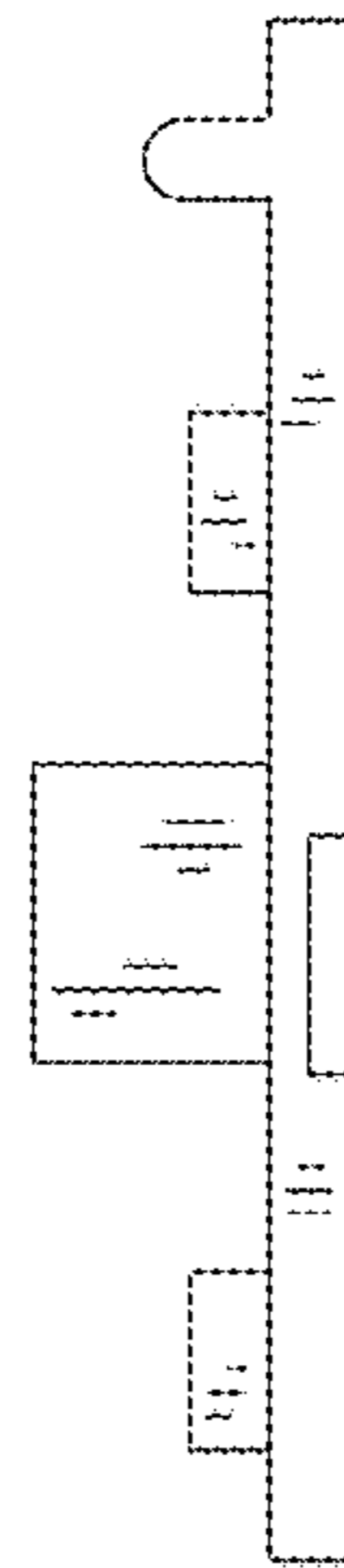


FIG. 7