



US00D852761S

(12) **United States Design Patent** (10) **Patent No.:** **US D852,761 S**
Hoffknecht et al. (45) **Date of Patent:** **** Jul. 2, 2019**

(54) **SWITCH**

(71) Applicants: **Marc Hoffknecht**, Newmarket (CA);
Simon Treadwell, Toronto (CA);
Sabolch Feigler, Mississauga (CA);
Marian Kosara, Pickering (CA)

(72) Inventors: **Marc Hoffknecht**, Newmarket (CA);
Simon Treadwell, Toronto (CA);
Sabolch Feigler, Mississauga (CA);
Marian Kosara, Pickering (CA)

(73) Assignee: **OSRAM SYLVANIA Inc.**, Wilmington,
MA (US)

(**) Term: **15 Years**

(21) Appl. No.: **29/639,976**

(22) Filed: **Mar. 9, 2018**

Related U.S. Application Data

(62) Division of application No. 29/558,570, filed on Mar. 18, 2016, now Pat. No. Des. 819,577, which is a division of application No. 29/492,292, filed on May 30, 2014, now Pat. No. Des. 781,247.

(51) **LOC (11) Cl.** **13-03**

(52) **U.S. Cl.**
USPC **D13/164**

(58) **Field of Classification Search**
USPC D13/162, 164, 171, 174, 177; D8/353
CPC .. H01H 3/12; H01H 9/02; H01H 9/16; H01H 9/18; H01H 9/181; H01H 9/182; H01H 13/04; H01H 13/14; H01H 2009/187; H05B 33/0803; H05B 33/0863; H05B 37/02; H05B 37/0254; H05B 37/0272; H05B 39/02; H05B 39/04; H05B 39/085; H05B 39/086; H05B 39/088

See application file for complete search history.

(56) **References Cited**

U.S. PATENT DOCUMENTS

4,166,934	A *	9/1979	Marrero	H01H 9/02 174/55
D297,406	S *	8/1988	Yandek	D13/125
5,036,168	A *	7/1991	Kikuchi	H01H 23/025 174/53
D327,657	S *	7/1992	Marcou	D10/106.8
D331,741	S *	12/1992	Fujiyoshi	D13/169
D371,123	S *	6/1996	Amundsen	D10/108
D394,042	S *	5/1998	Hwang	D13/171
D422,567	S *	4/2000	Mayo	D13/162
D435,125	S *	12/2000	Boessel	D26/26
D465,460	S *	11/2002	Mayo	D13/164
6,930,260	B2 *	8/2005	Clegg	H01H 13/70 200/5 A
D537,795	S *	3/2007	Chen	D13/162
D560,619	S *	1/2008	Hewson	D13/162
D564,457	S *	3/2008	Billings	D13/162

(Continued)

Primary Examiner — Selina Sikder

(74) *Attorney, Agent, or Firm* — Shaun P. Montana

(57) **CLAIM**

The ornamental design for a switch, as shown and described.

DESCRIPTION

FIG. 1 is a perspective view of an embodiment of the ornamental design of the switch.

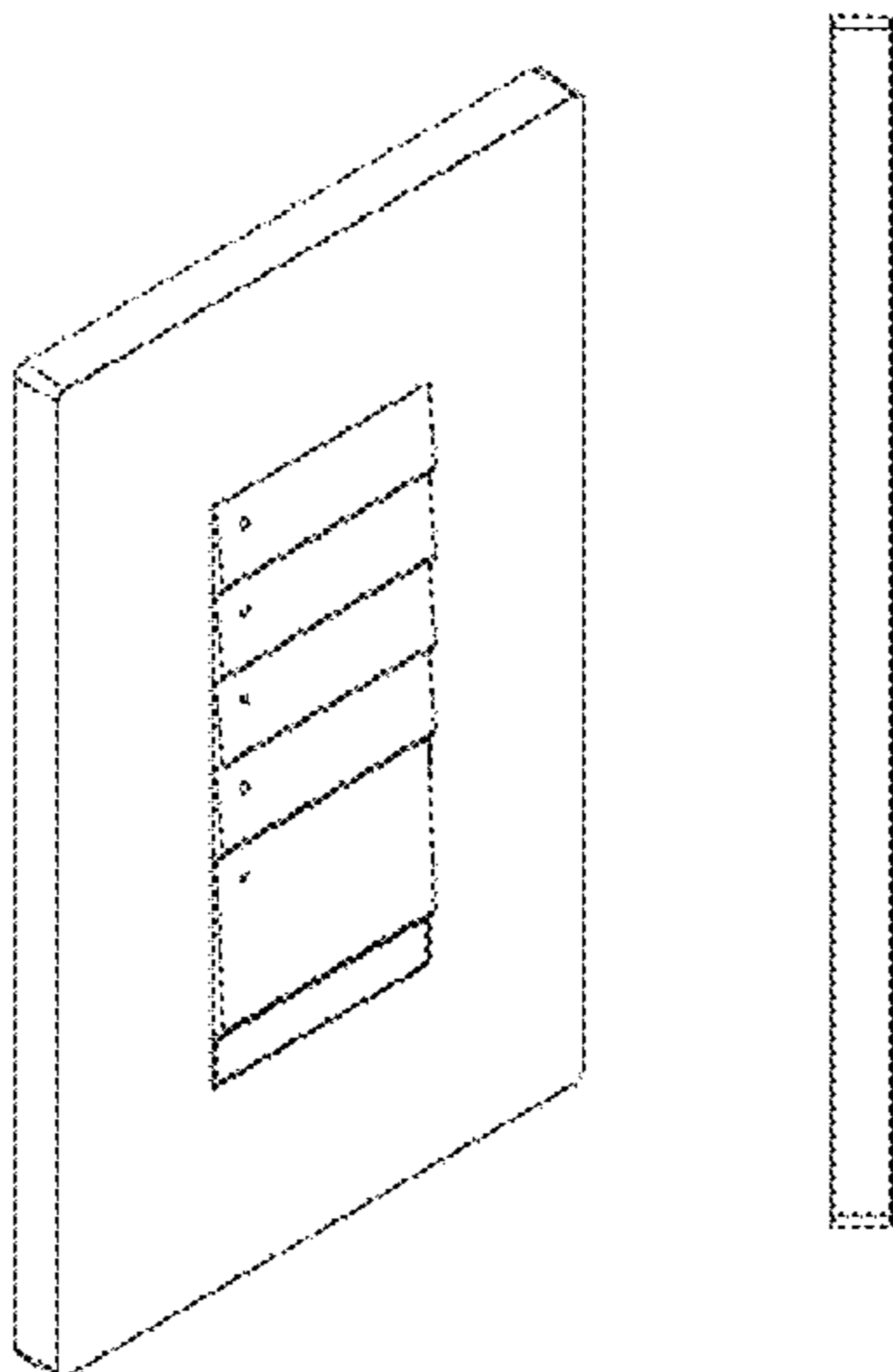
FIG. 2 is a front view of an embodiment of the ornamental design of the switch.

FIG. 3 is a back view of an embodiment of the ornamental design of the switch; and,

FIG. 4 is a side view of an embodiment of the ornamental design of the switch.

The broken-line disclosure in the views is understood to represent portions of the article in which the claimed design is embodied, but which form no part of the claimed design.

1 Claim, 4 Drawing Sheets



(56)

References Cited

U.S. PATENT DOCUMENTS

D570,790	S *	6/2008	Egea Soler	D13/162
D574,333	S *	8/2008	Hewson	D13/162
D581,369	S *	11/2008	Egea Soler	D13/162
D586,762	S *	2/2009	Nichols	D13/171
D587,214	S *	2/2009	Nichols	D13/171
7,538,285	B2 *	5/2009	Patel	H01H 13/705 200/314
D598,866	S *	8/2009	Rinna	D13/162
D633,448	S *	3/2011	Biery	D13/171
D636,351	S *	4/2011	Rodriguez	D13/164
D638,375	S *	5/2011	Clymer	D13/168
8,102,375	B1 *	1/2012	Feldstein	G06F 3/02 341/23
D653,627	S *	2/2012	Hoffknecht	D13/164
D654,030	S *	2/2012	Hoffknecht	D13/164
D664,101	S *	7/2012	Hoffknecht	D13/164
D680,084	S *	4/2013	McDonald	D13/168
D682,795	S *	5/2013	McDonald	D13/168
D701,178	S *	3/2014	Wisniewski	D13/174
D714,736	S *	10/2014	O'Donnell	D13/164
D721,659	S *	1/2015	Rodriguez	D13/164
D733,076	S *	6/2015	Jacoby	D13/164
D781,247	S *	3/2017	Hoffknecht	D13/164
D819,577	S *	6/2018	Hoffknecht	D13/164
2006/0201694	A1 *	9/2006	Lindenstrauss	H02G 3/125 174/66
2008/0136683	A1 *	6/2008	Swatsky	H05B 37/0272 341/23

* cited by examiner

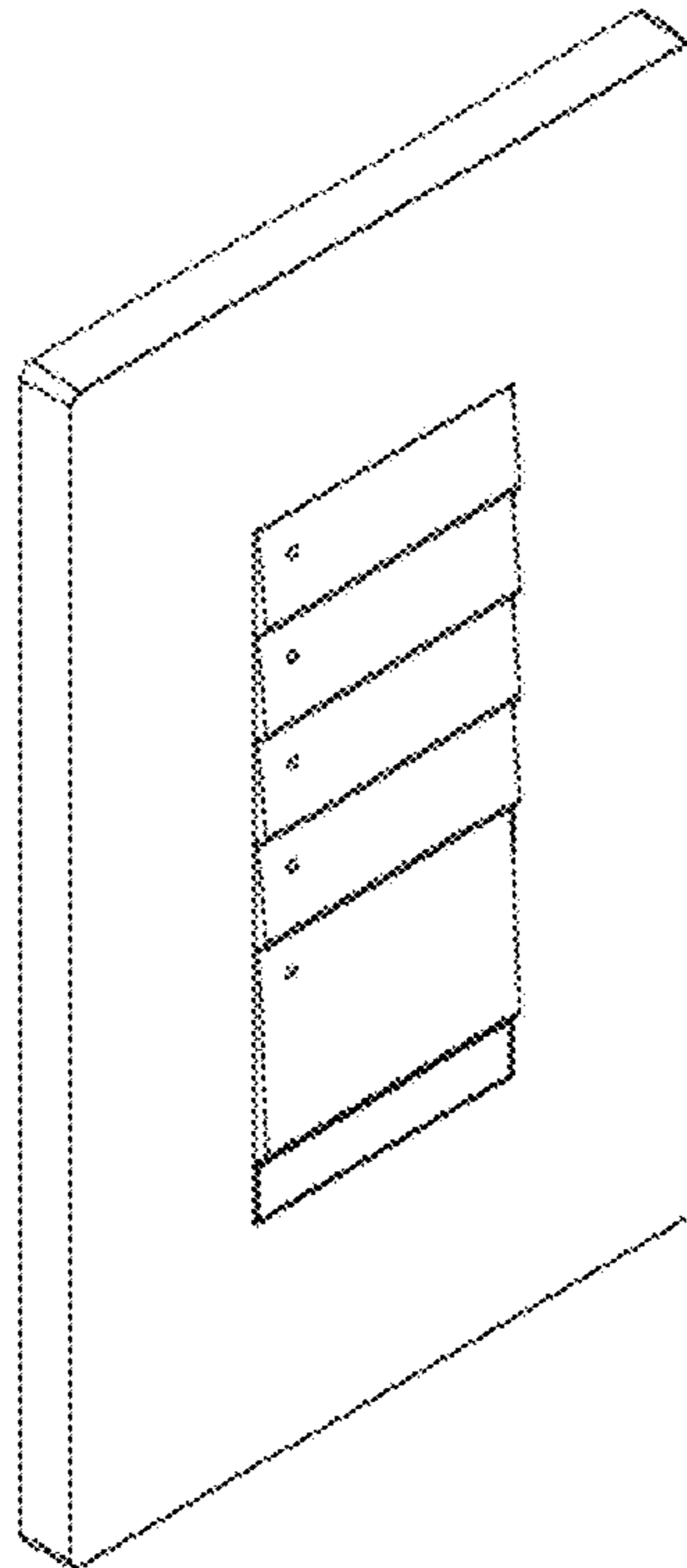


FIG. 1

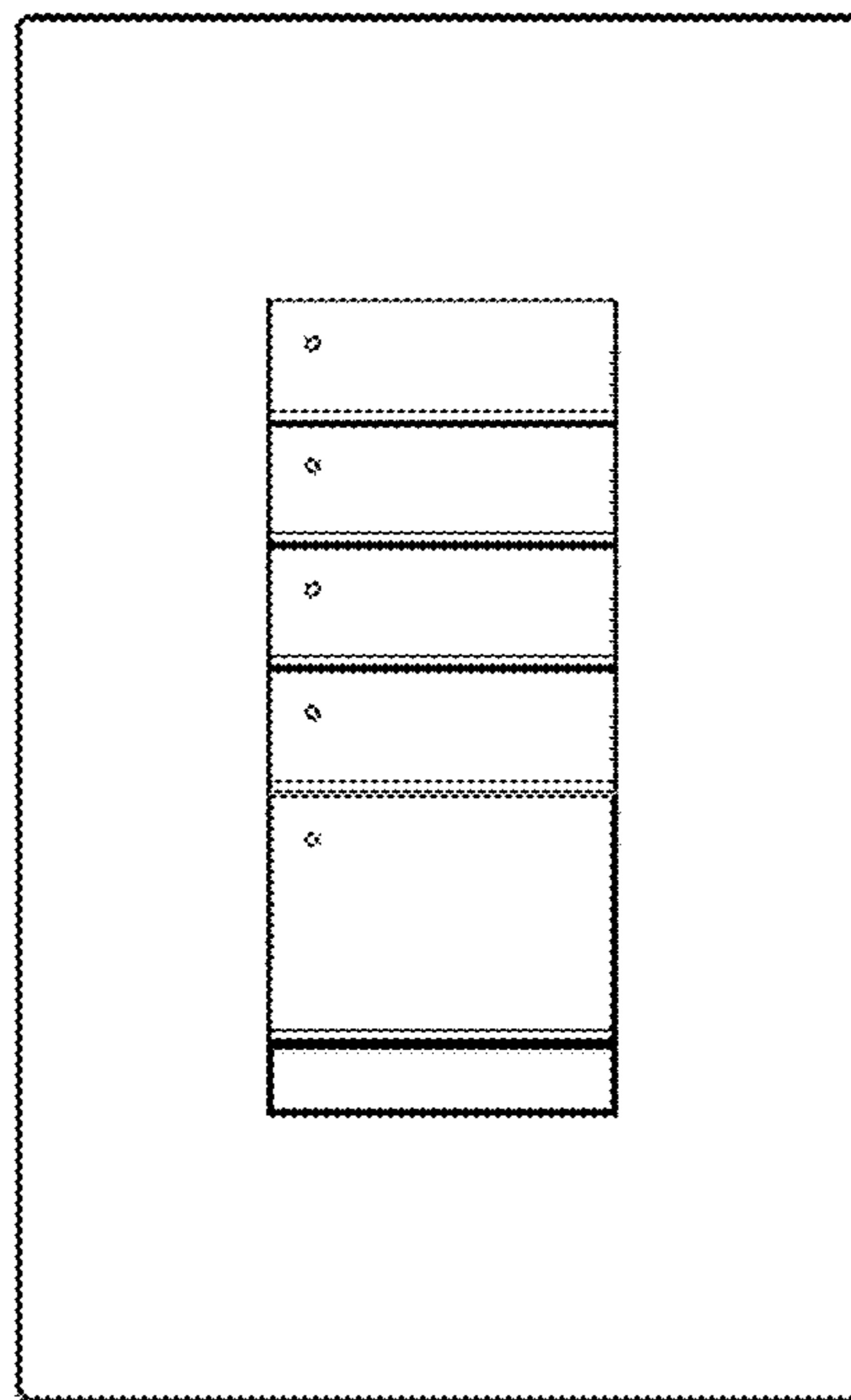


FIG. 2

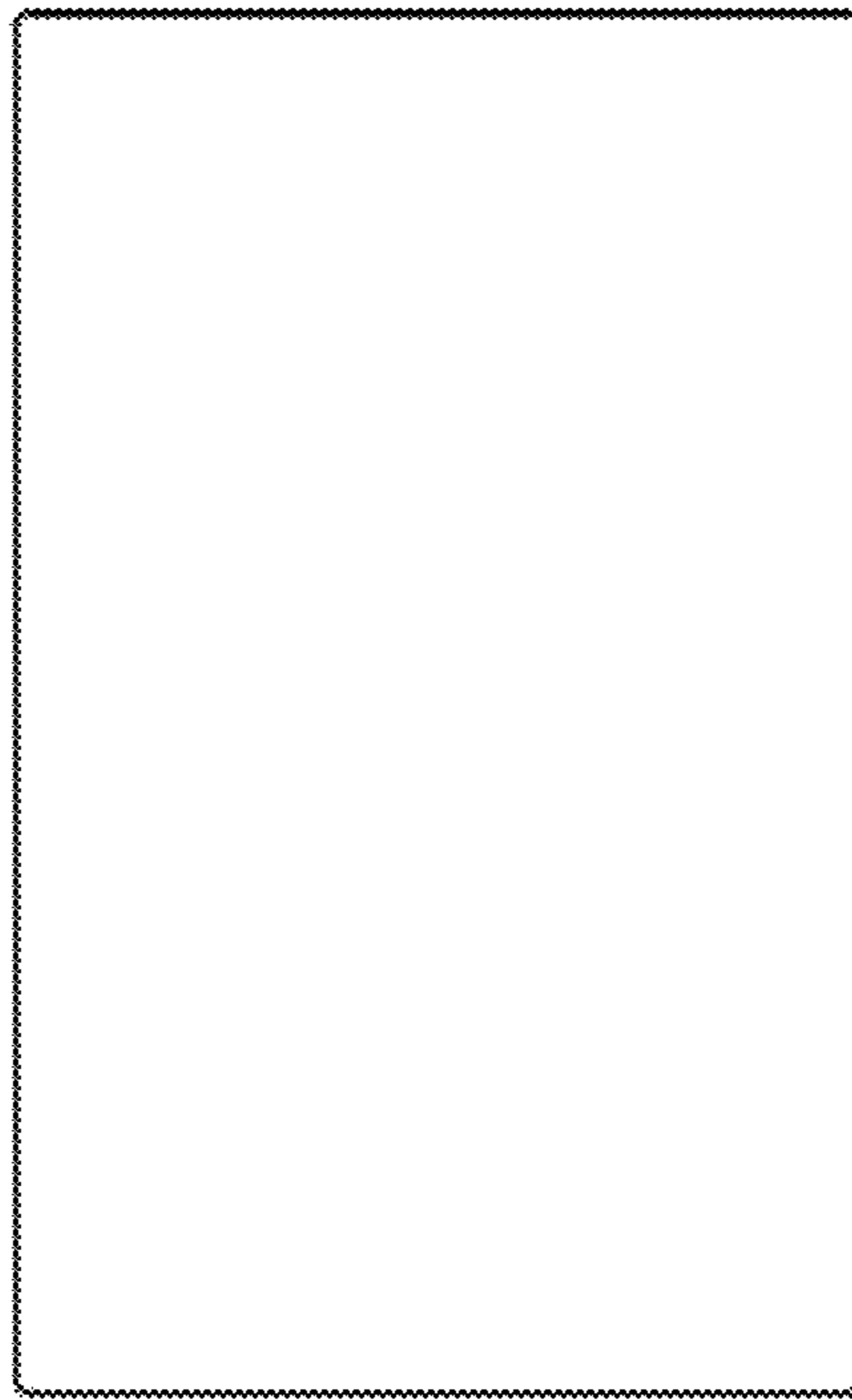


FIG. 3



FIG. 4