



US00D852760S

(12) **United States Design Patent**
Hoffknecht et al.

(10) **Patent No.:** **US D852,760 S**

(45) **Date of Patent:** **** Jul. 2, 2019**

(54) **SWITCH**

H05B 39/02; H05B 39/04; H05B 39/085;
H05B 39/086; H05B 39/088

See application file for complete search history.

(71) Applicants: **Marc Hoffknecht**, Newmarket (CA);
Simon Treadwell, Toronto (CA);
Sabolch Feigler, Mississauga (CA);
Marian Kosara, Pickering (CA)

(56) **References Cited**

U.S. PATENT DOCUMENTS

4,166,934	A	*	9/1979	Marrero	H01H 9/02 174/55
D297,406	S	*	8/1988	Yandek	D13/125
5,036,168	A	*	7/1991	Kikuchi	H01H 23/025 174/53
D327,657	S	*	7/1992	Marcou	D10/106.8
D331,741	S	*	12/1992	Fujiyoshi	D13/169
D371,123	S	*	6/1996	Amundsen	D10/108
D394,042	S	*	5/1998	Hwang	D13/171
D422,567	S	*	4/2000	Mayo	D13/162
D435,125	S	*	12/2000	Boessel	D26/26

(Continued)

(72) Inventors: **Marc Hoffknecht**, Newmarket (CA);
Simon Treadwell, Toronto (CA);
Sabolch Feigler, Mississauga (CA);
Marian Kosara, Pickering (CA)

Primary Examiner — Selina Sikder

(73) Assignee: **OSRAM SYLVANIA Inc.**, Wilmington,
MA (US)

(74) *Attorney, Agent, or Firm* — Shaun P. Montana

(**) Term: **15 Years**

(21) Appl. No.: **29/639,836**

(22) Filed: **Mar. 9, 2018**

(57) **CLAIM**

The ornamental design for a switch, as shown and described.

Related U.S. Application Data

DESCRIPTION

(62) Division of application No. 29/558,570, filed on Mar. 18, 2016, now Pat. No. Des. 819,577, which is a division of application No. 29/492,292, filed on May 30, 2014, now Pat. No. Des. 781,247.

FIG. 1 is a perspective view of an embodiment of the ornamental design of the switch.

(51) **LOC (11) Cl.** **13-03**

FIG. 2 is a front view of an embodiment of the ornamental design of the switch.

(52) **U.S. Cl.**

FIG. 3 is a top view of an embodiment of the ornamental design of the switch.

USPC **D13/164**

FIG. 4 is a bottom view of an embodiment of the ornamental design of the switch.

(58) **Field of Classification Search**

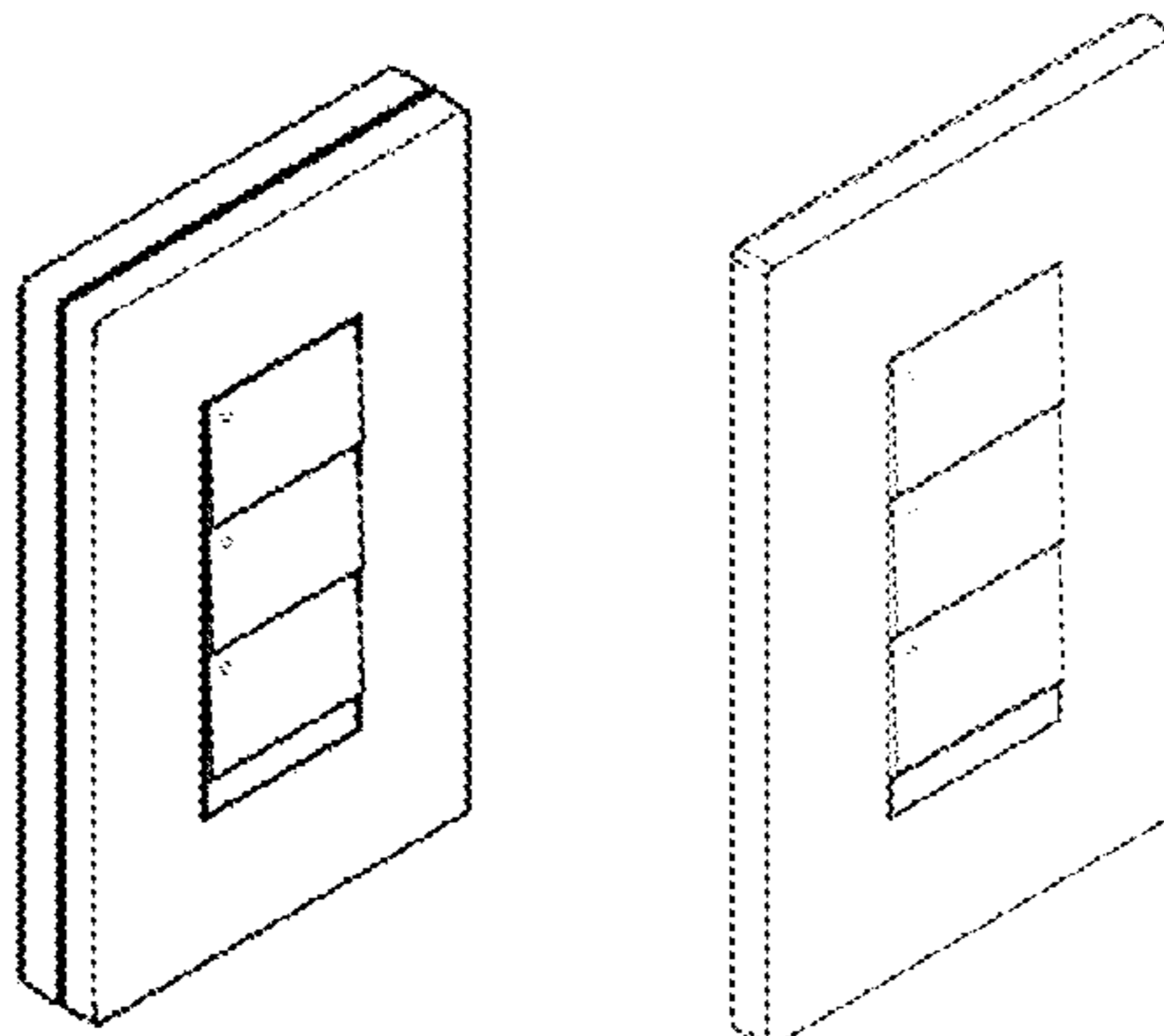
USPC D13/162, 164, 171, 174, 177; D8/353
CPC .. H01H 3/12; H01H 9/02; H01H 9/16; H01H 9/18; H01H 9/181; H01H 9/182; H01H 13/04; H01H 13/14; H01H 2009/187; H05B 33/0803; H05B 33/0863; H05B 37/02; H05B 37/0254; H05B 37/0272;

FIG. 5 is a side view of an embodiment of the ornamental design of the switch.

FIG. 6 is a perspective view of an embodiment of the ornamental design of the switch; and,

FIG. 7 is a front view of an embodiment of the ornamental design of the switch.

(Continued)



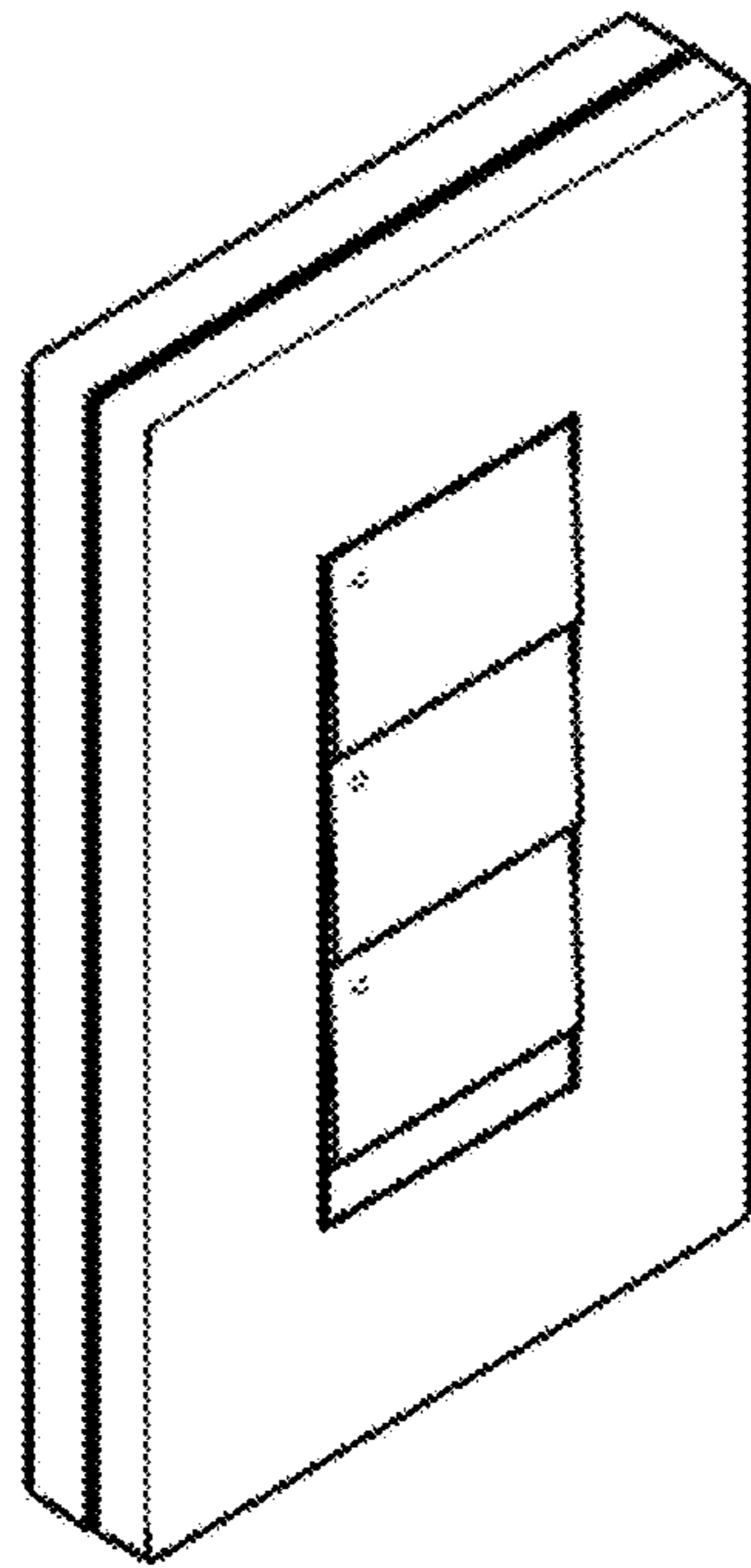


FIG. 1

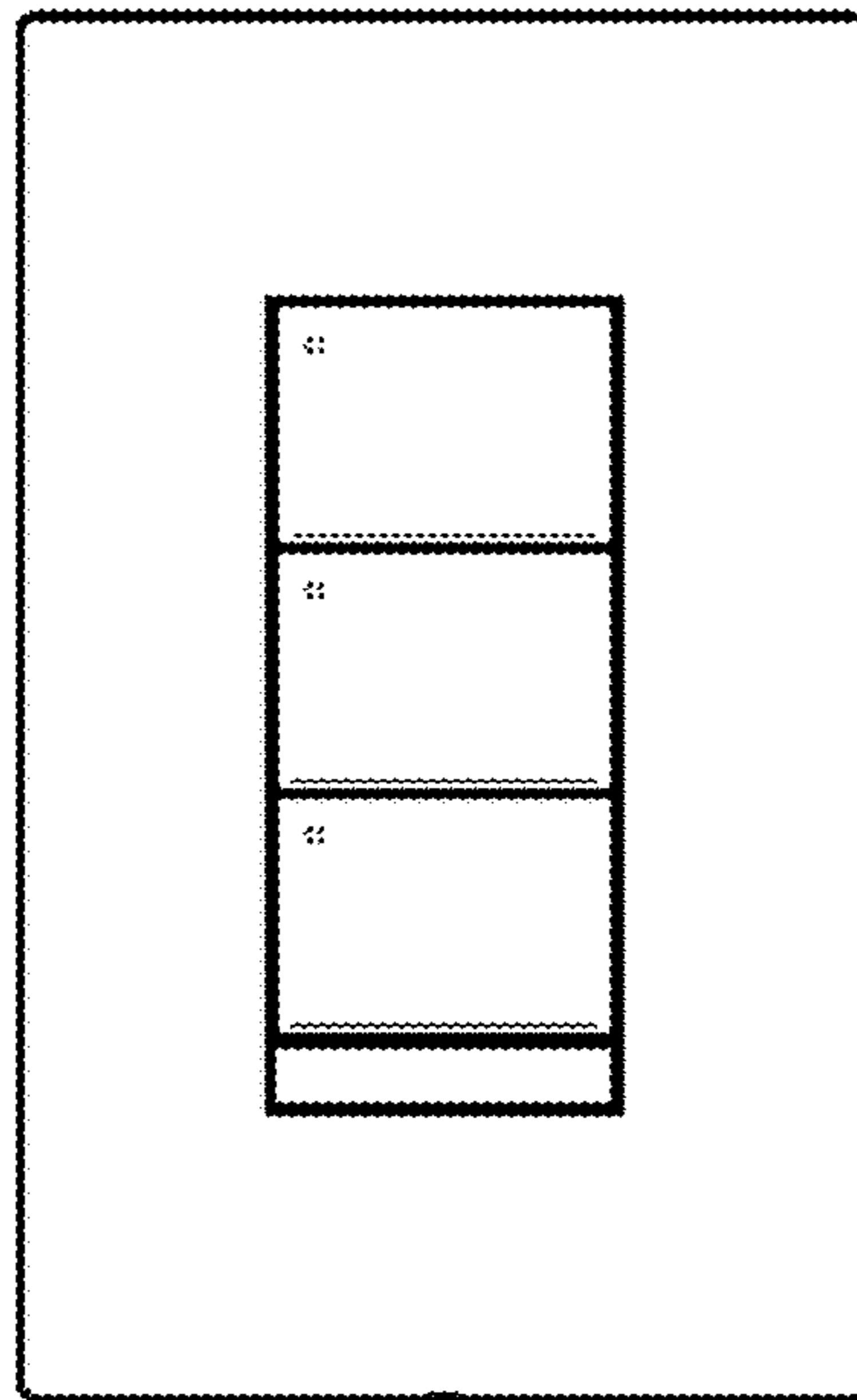


FIG. 2



FIG. 3



FIG. 4



FIG. 5

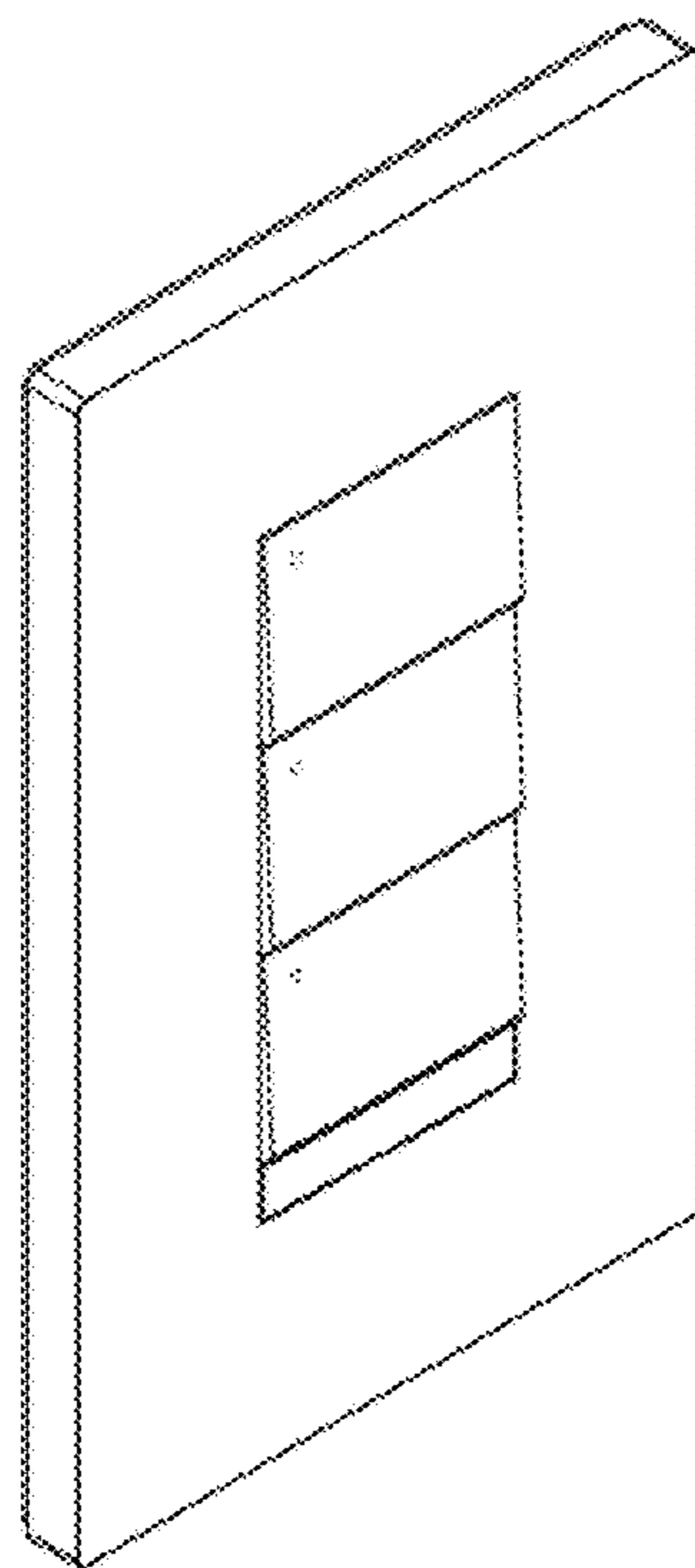


FIG. 6

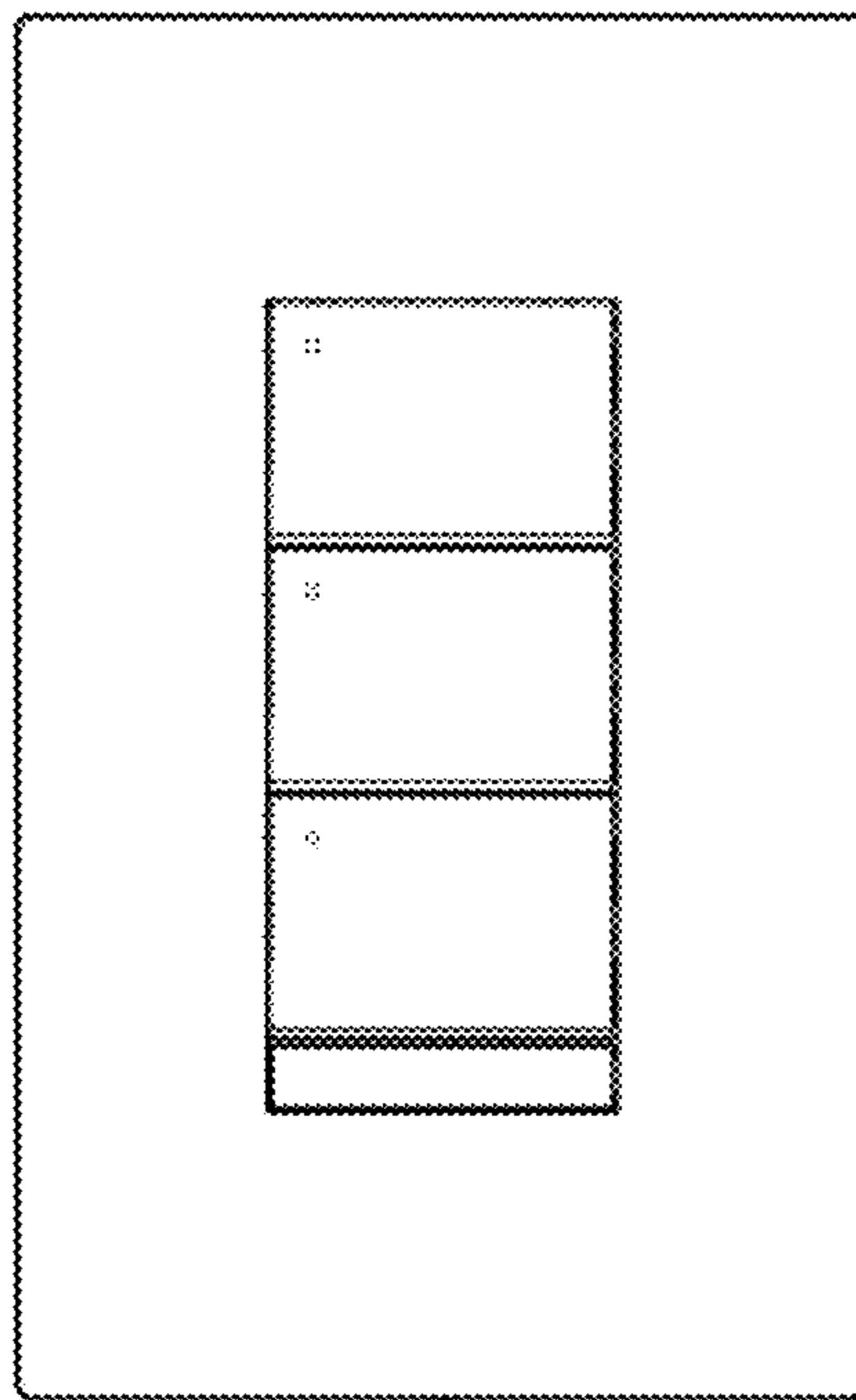


FIG. 7