



US00D852759S

(12) **United States Design Patent**
Wolf et al.

(10) **Patent No.: US D852,759 S**

(45) **Date of Patent: ** Jul. 2, 2019**

(54) **ELECTRIC OPERATING UNIT**

(71) Applicant: **LINAK A/S**, Nordborg (DK)

(72) Inventors: **Jesper Madsen Wolf**, Broager (DK);
Jais Lundahl Olesen, Aabenraa (DK)

(73) Assignee: **Linak A/S**, Bordborg (DK)

(**) Term: **15 Years**

(21) Appl. No.: **29/625,239**

(22) Filed: **Nov. 8, 2017**

(30) **Foreign Application Priority Data**

May 15, 2017 (DK) 2017 00043

(51) **LOC (11) Cl.** **13-03**

(52) **U.S. Cl.**
USPC **D13/162**

(58) **Field of Classification Search**

USPC D13/139.4, 158, 162, 164; D14/305;
200/61.7, 296

CPC .. H01H 3/00; H01H 3/02; H01H 3/04; H01H
3/06; H01H 9/02; H01H 13/02; H01H
13/04; H01H 13/10; H01H 13/86; H01H
21/22; H01H 21/24; A47C 1/0345; A47C
1/035; A47B 21/02; A47B 9/00; A61G
13/02; A61G 7/018; G05B 15/02

See application file for complete search history.

(56) **References Cited**

U.S. PATENT DOCUMENTS

6,360,675 B1 * 3/2002 Jones A47B 9/00
108/50.02
D502,474 S * 3/2005 Raarup D15/143
7,538,284 B2 * 5/2009 Nielsen A47B 9/00
200/296

(Continued)

OTHER PUBLICATIONS

Data Sheet for Handset JCHT35L, Jiechang Linear Motion (1 pgs.)
retrieved from <https://web.archive.org/web/20160411114733/http://www.jiechang.com:80/upload/file/enPDF/JCHT35L.pdf/> (Wayback Machine) with date of Apr. 11, 2016.

(Continued)

Primary Examiner — Selina Sikder

(74) *Attorney, Agent, or Firm* — Dykema Gossett PLLC

(57) **CLAIM**

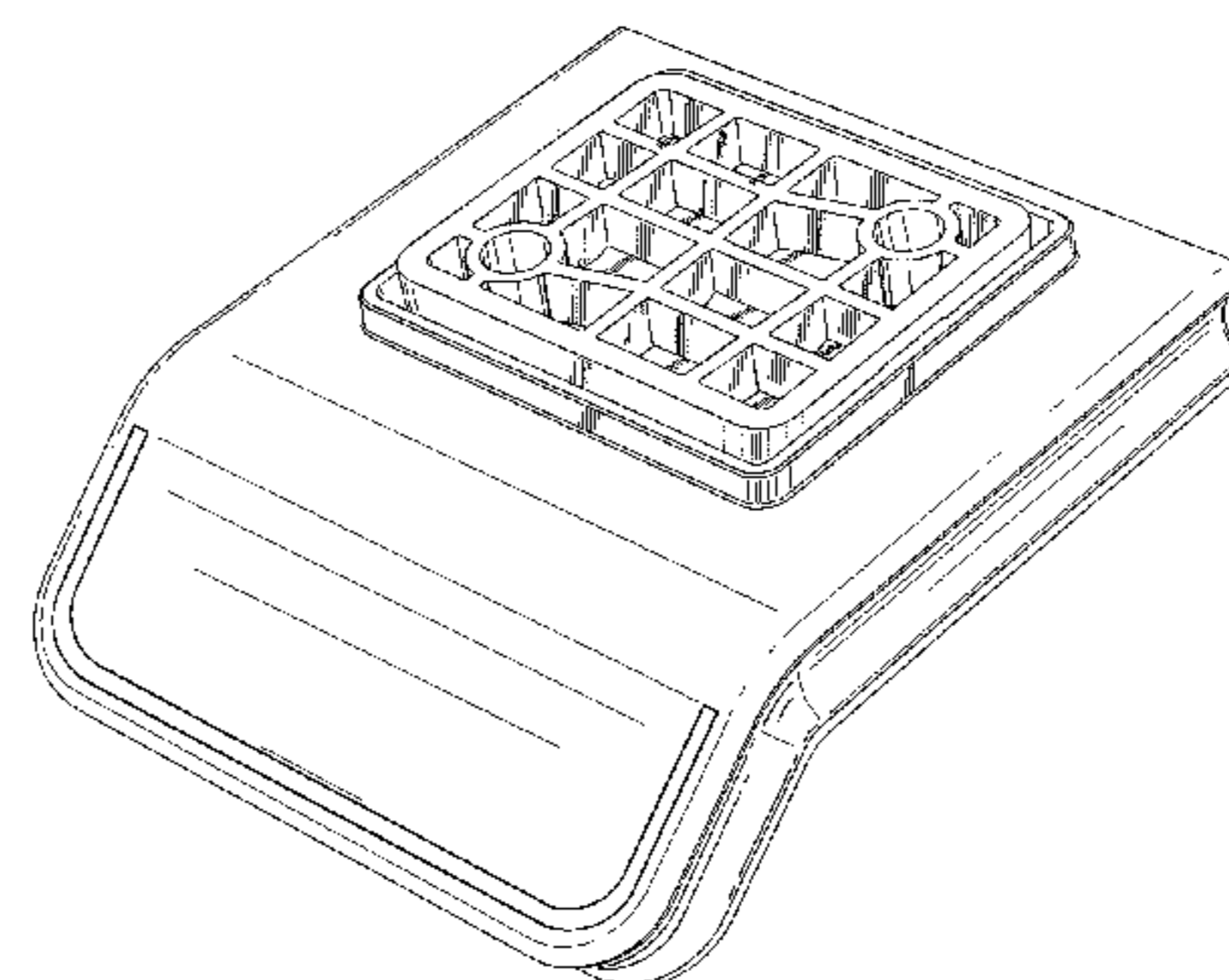
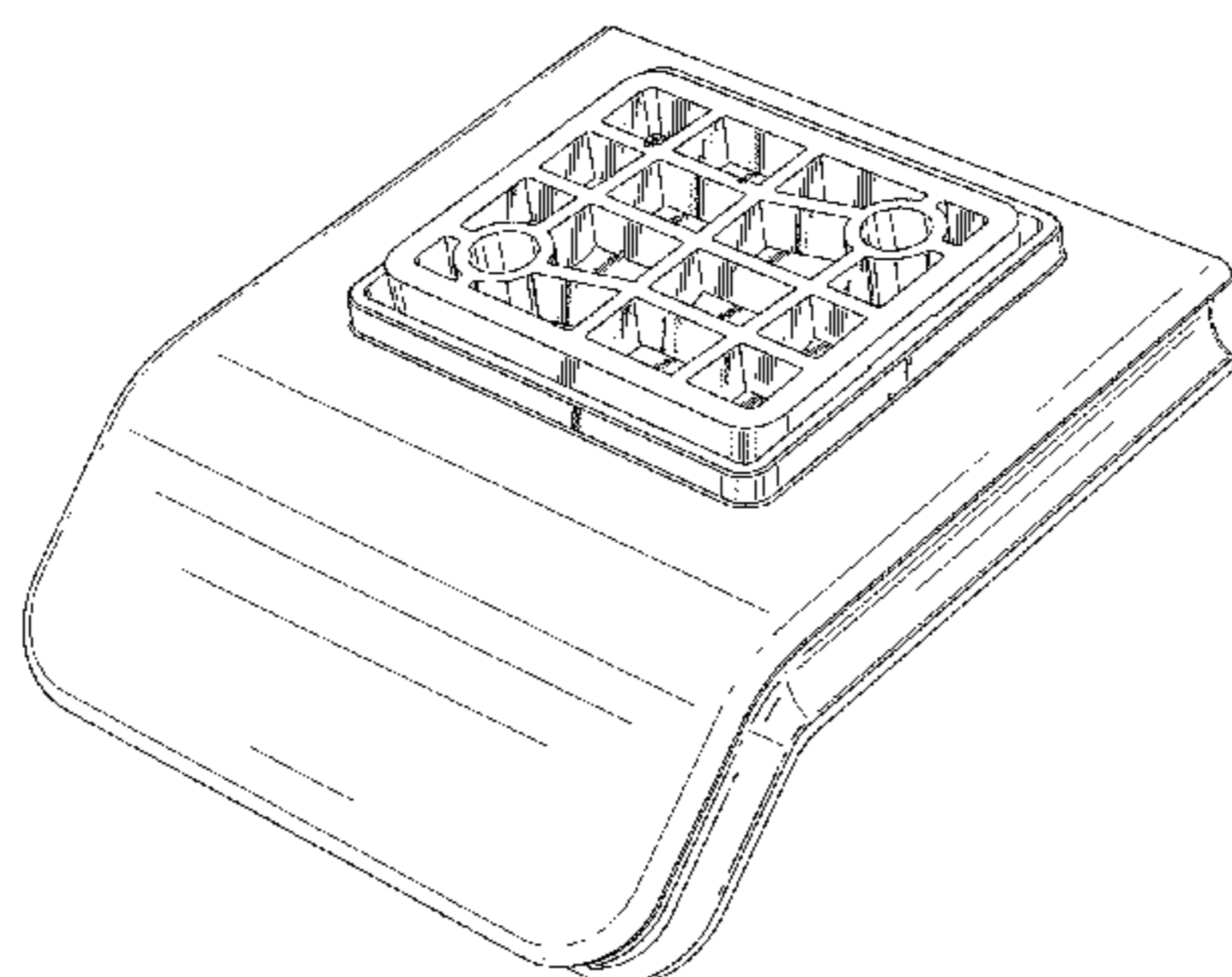
The ornamental design for an electric operating unit, as shown and described.

DESCRIPTION

FIG. 1 is a perspective top view of the electric operating unit according to our new and ornamental design, FIG. 2 is a perspective bottom view thereof, FIG. 3 is a top plan view thereof, FIG. 4 is a bottom plan view thereof, FIG. 5 is an elevational front view thereof, FIG. 6 is an elevational rear view thereof, FIG. 7 is an elevational right side view thereof, FIG. 8 is an elevational left side view thereof, and FIG. 9 is a perspective top view of a second embodiment wherein a U-shaped light strip is shown on the front surface; FIG. 10 is a perspective bottom view thereof; FIG. 11 is a top plan view thereof; FIG. 12 is a bottom plan view thereof; FIG. 13 is an elevation front view thereof; FIG. 14 is an elevation rear view thereof; FIG. 15 is an elevation right side view thereof; and, FIG. 16 is an elevation left side view thereof.

The electric operating unit can be used with articles of furniture, and particularly can be mounted beneath an adjustable table top and used to control the positioning of the table top. An internal U-shaped light strip at the front when turned on can provide a blue, green, white, orange or red U-shaped light through the transparent front.

1 Claim, 16 Drawing Sheets



(56)

References Cited

U.S. PATENT DOCUMENTS

D678,217	S	*	3/2013	Helm	D13/162
D678,847	S	*	3/2013	Helm	D13/162
D689,825	S	*	9/2013	Wenji	D13/162
D794,581	S	*	8/2017	Lin	D13/169
D820,221	S	*	6/2018	Yang	D13/164
10,028,576	B1	*	7/2018	Yao	A47B 21/02
D825,493	S	*	8/2018	Chen	D13/164
D826,870	S	*	8/2018	Cote	D13/164
D833,981	S	*	11/2018	Seal	D13/162
2008/0245279	A1	*	10/2008	Pan	A47B 9/00 108/144.11
2013/0199419	A1	*	8/2013	Hjelm	A47B 9/00 108/20

OTHER PUBLICATIONS

Data Sheet for TiMotion—TFH8 Series Controls (4 pgs.) retrieved from <https://web.archive.org/web/20170714185950/http://www.timotion.com:80/product/1481523032/1043> (Wayback Machine) with date of Jul. 14, 2017.

Data Sheet of Desk Panel DPA, 2002.

Data Sheet of Desk Panel DPB, 2006.

Jesper Madsen Wolf and Jais Lundahl Olesen, Patent Design U.S. Appl. No. 29/625,980, filed Nov. 14, 2017.

* cited by examiner

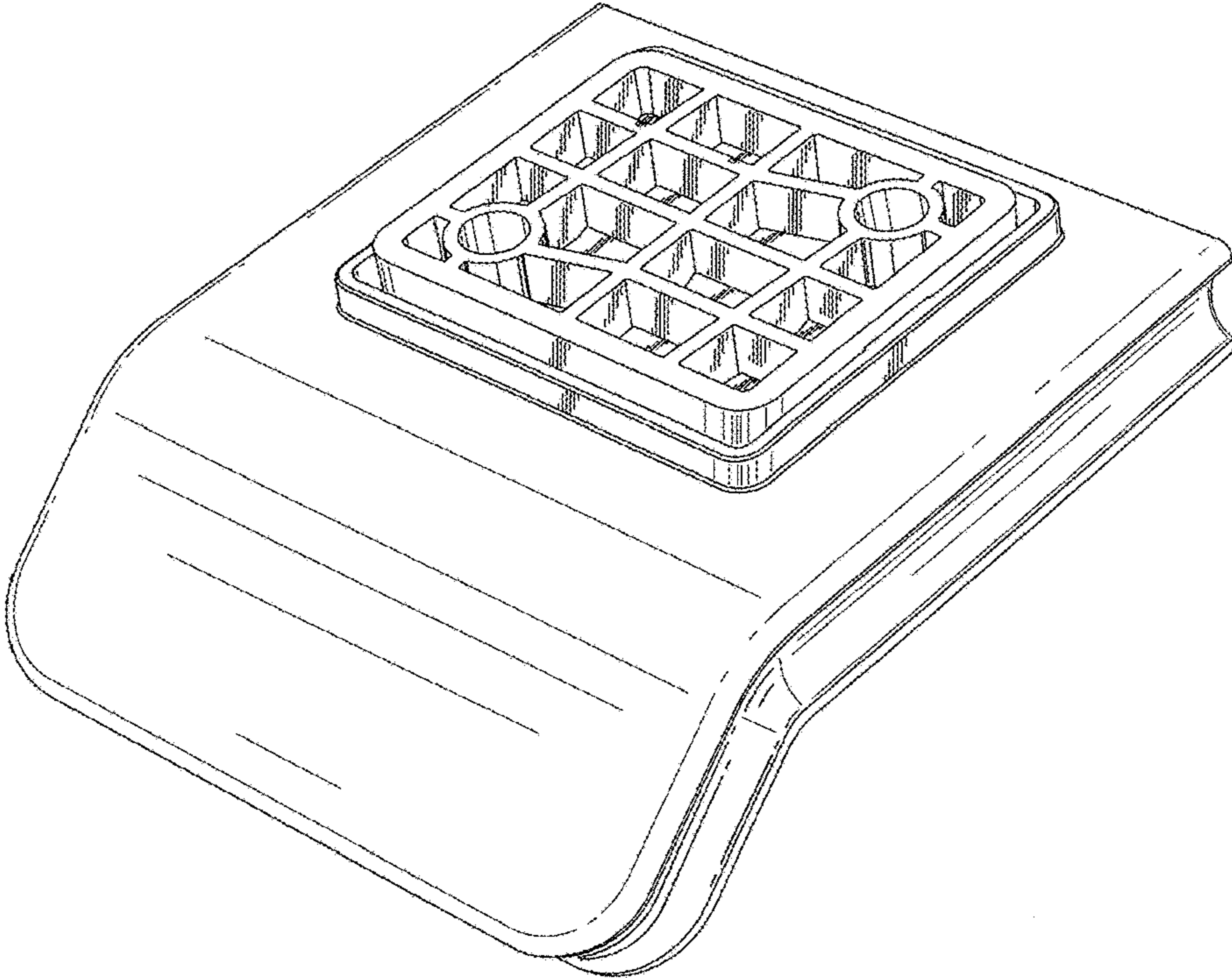


FIG. 1

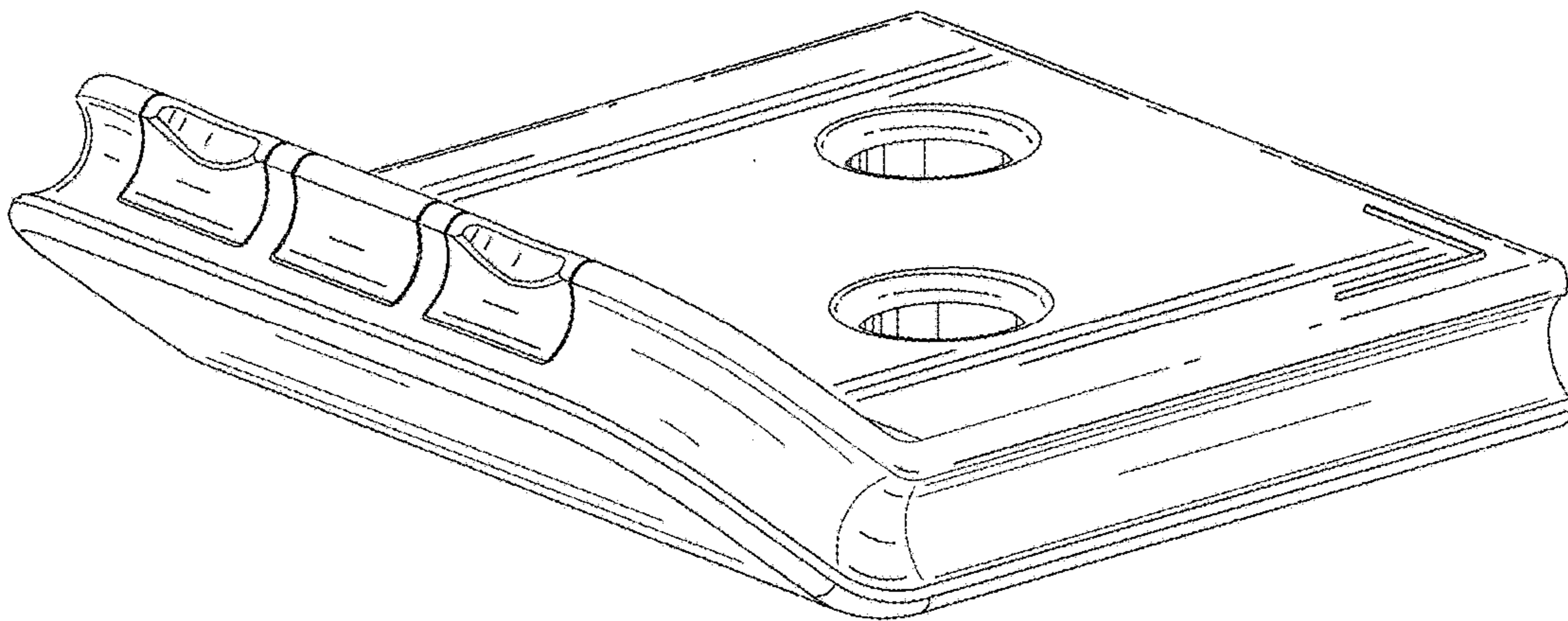


FIG. 2

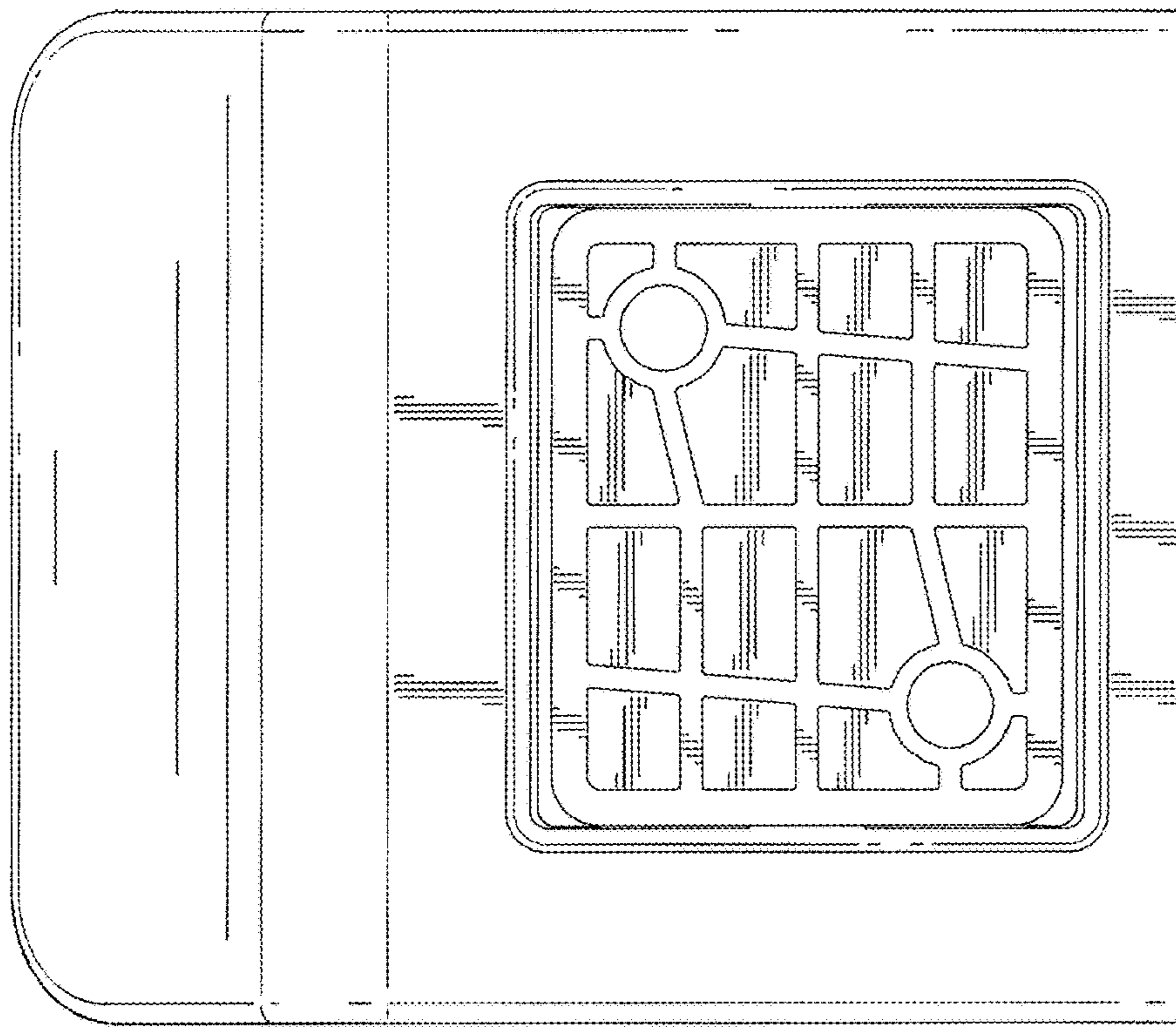


FIG. 3

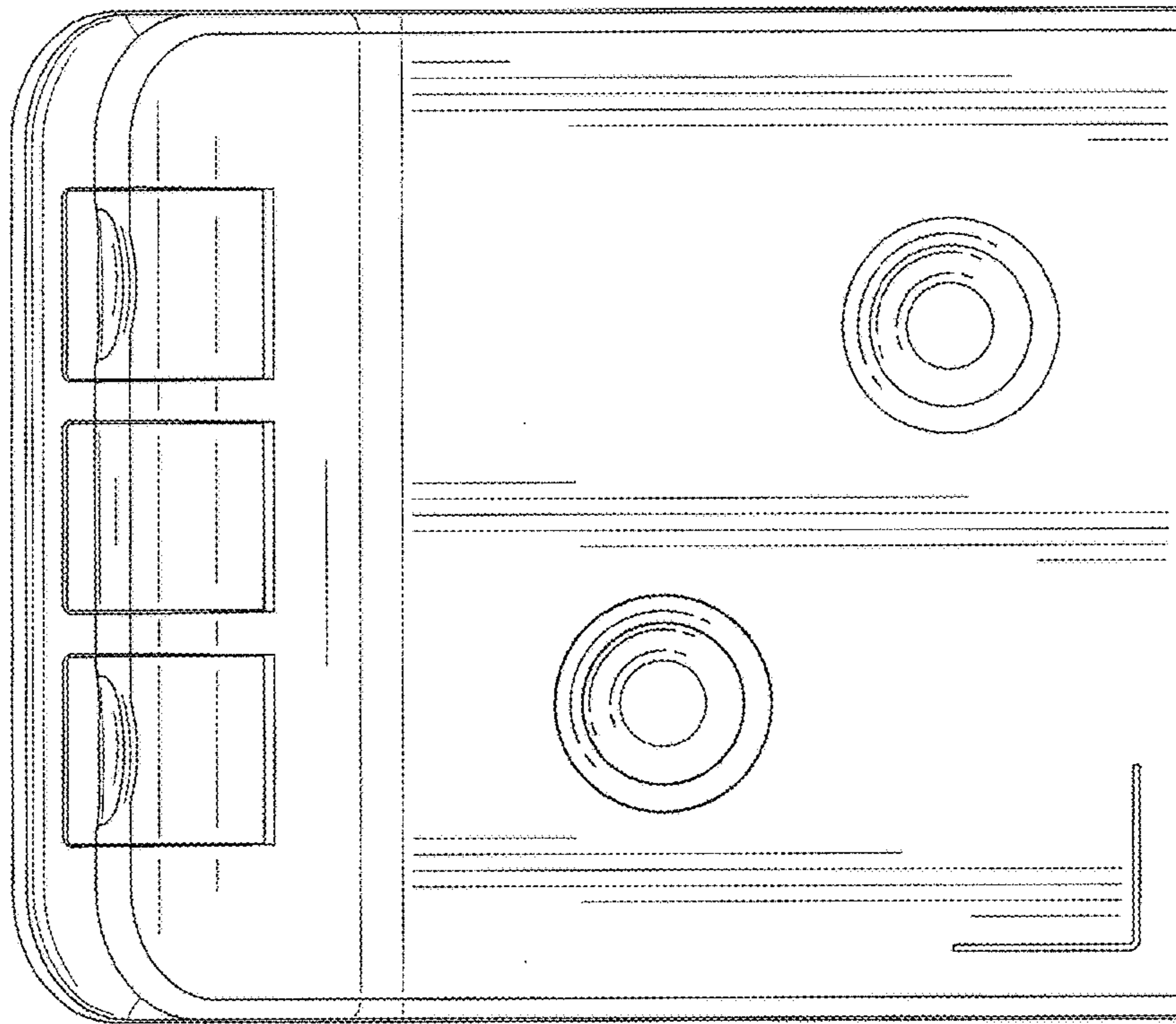


FIG. 4

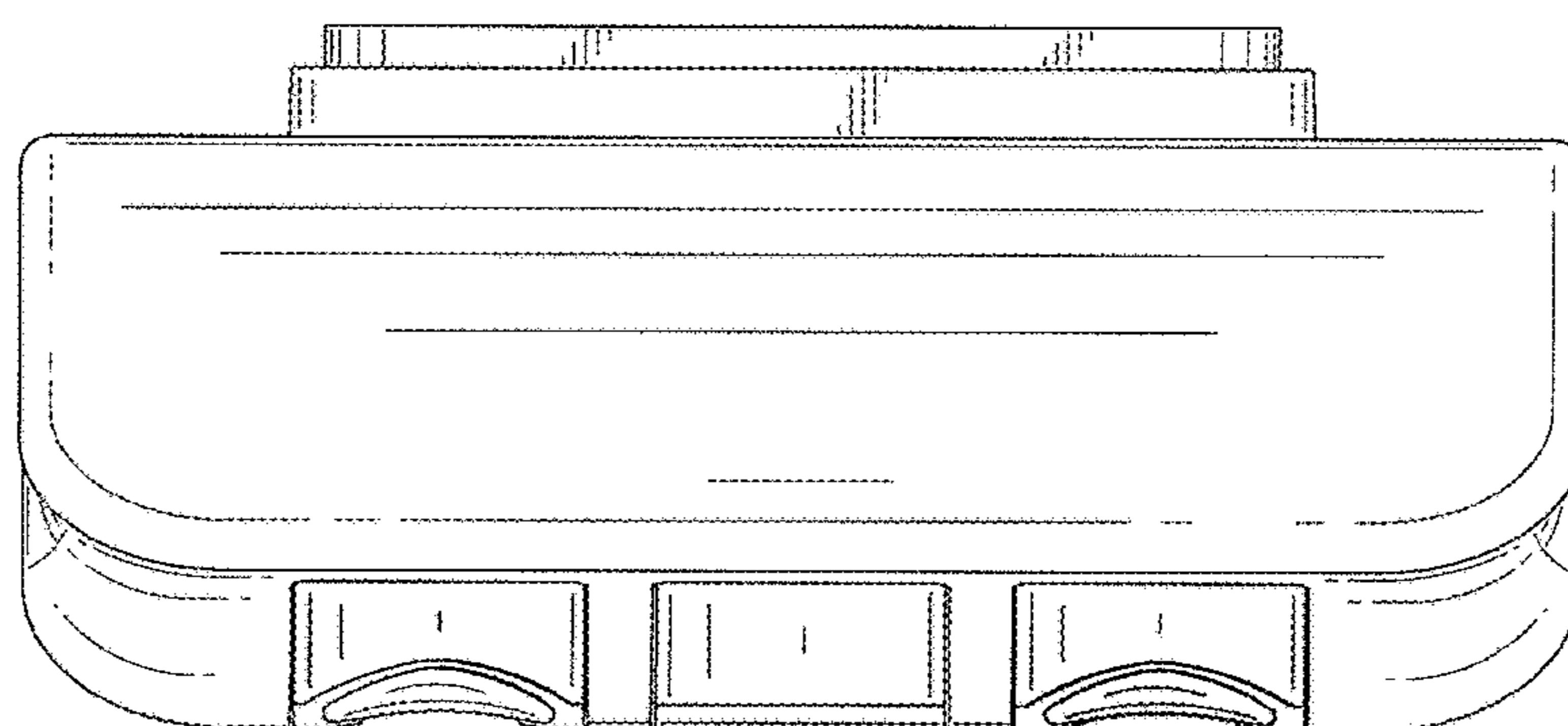


FIG. 5

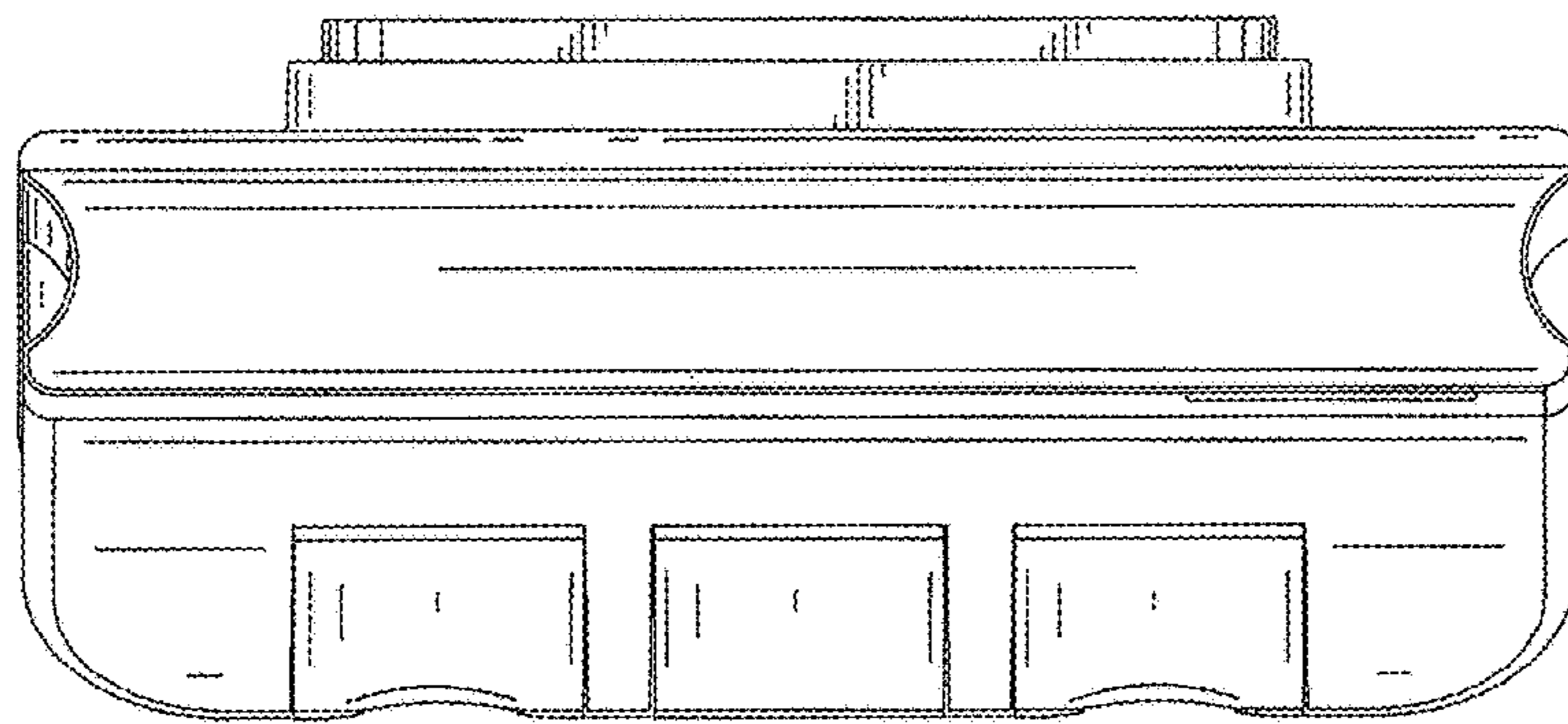


FIG. 6

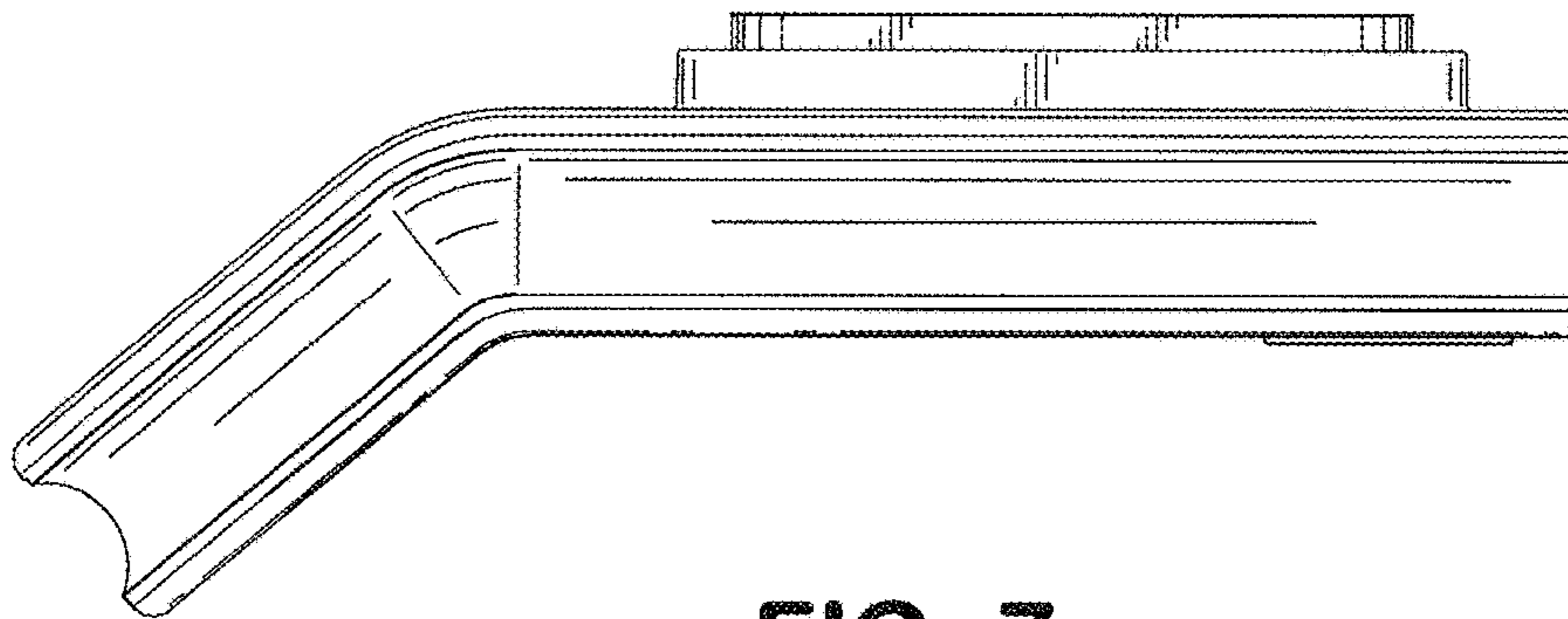


FIG. 7

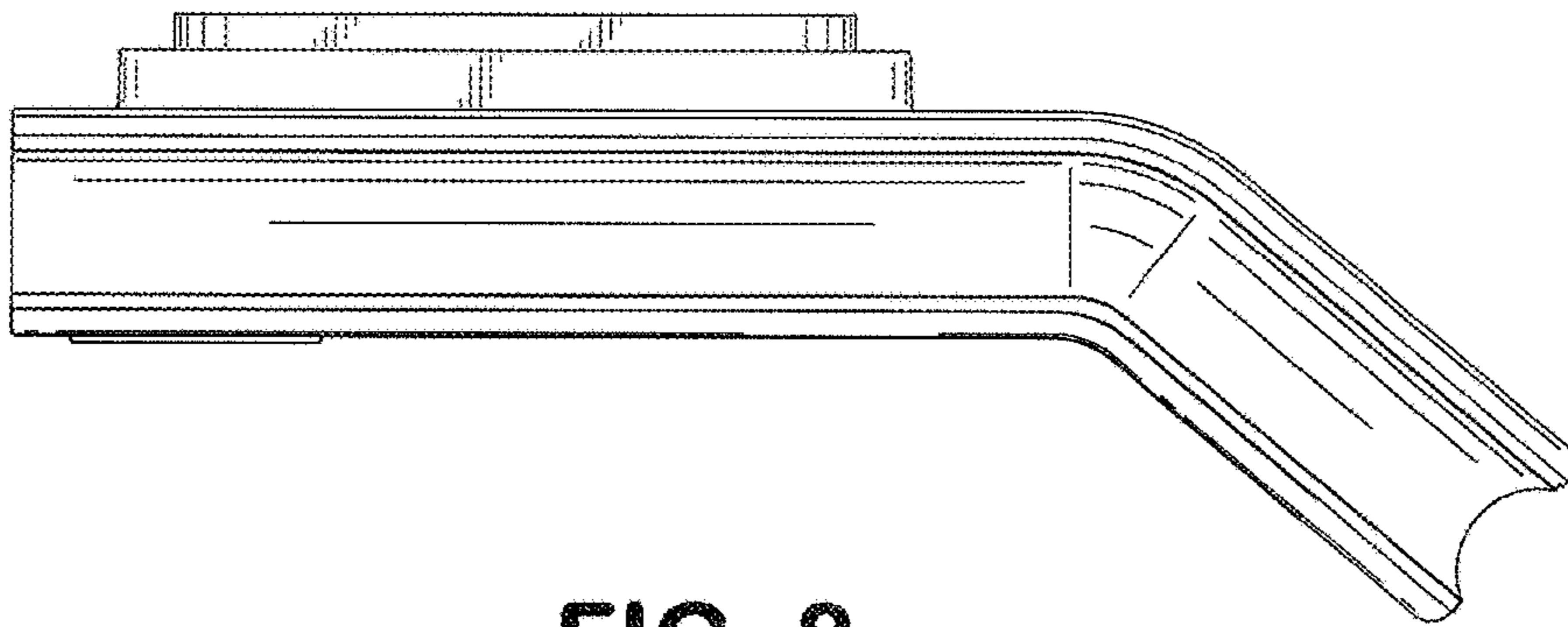


FIG. 8

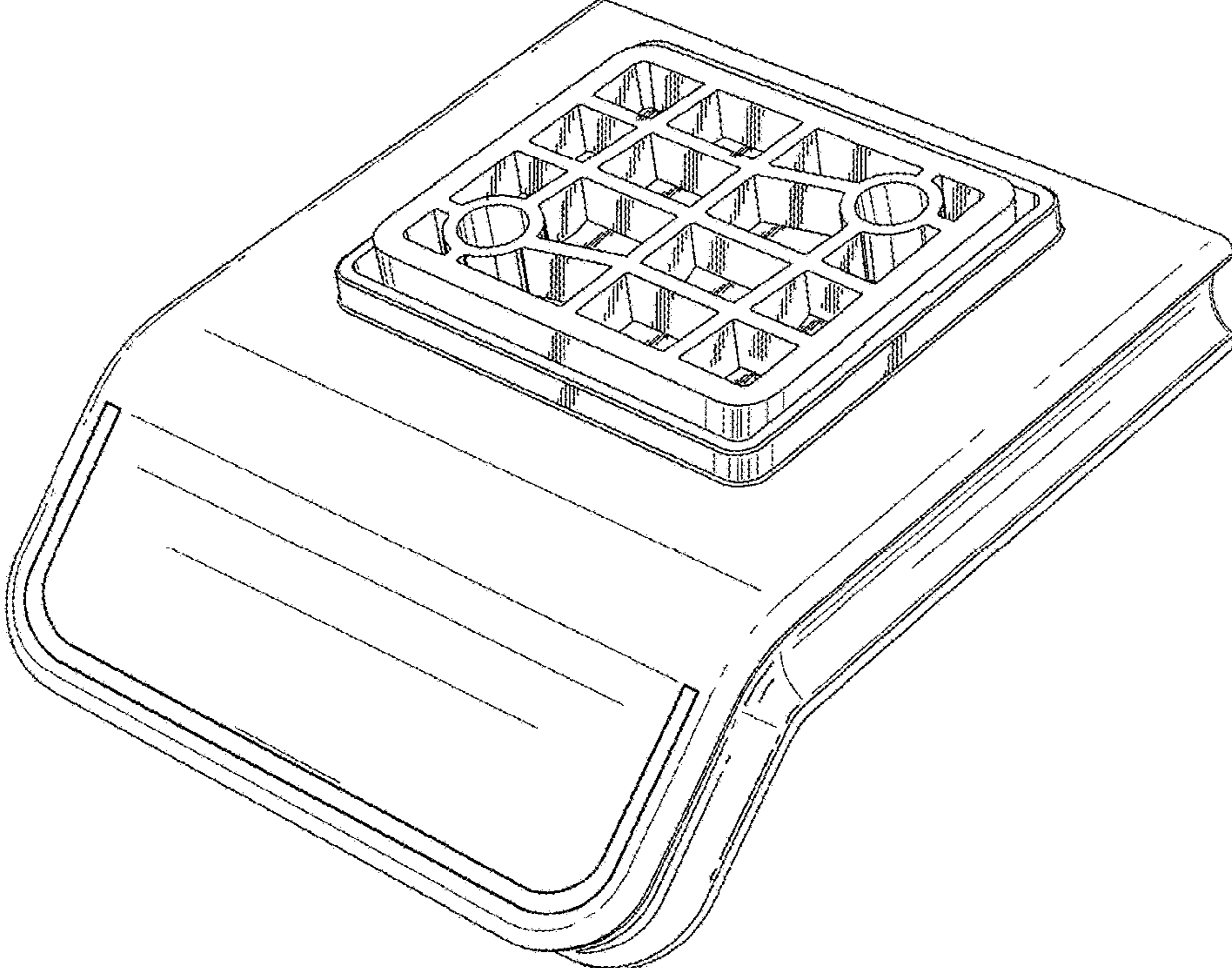


FIG. 9

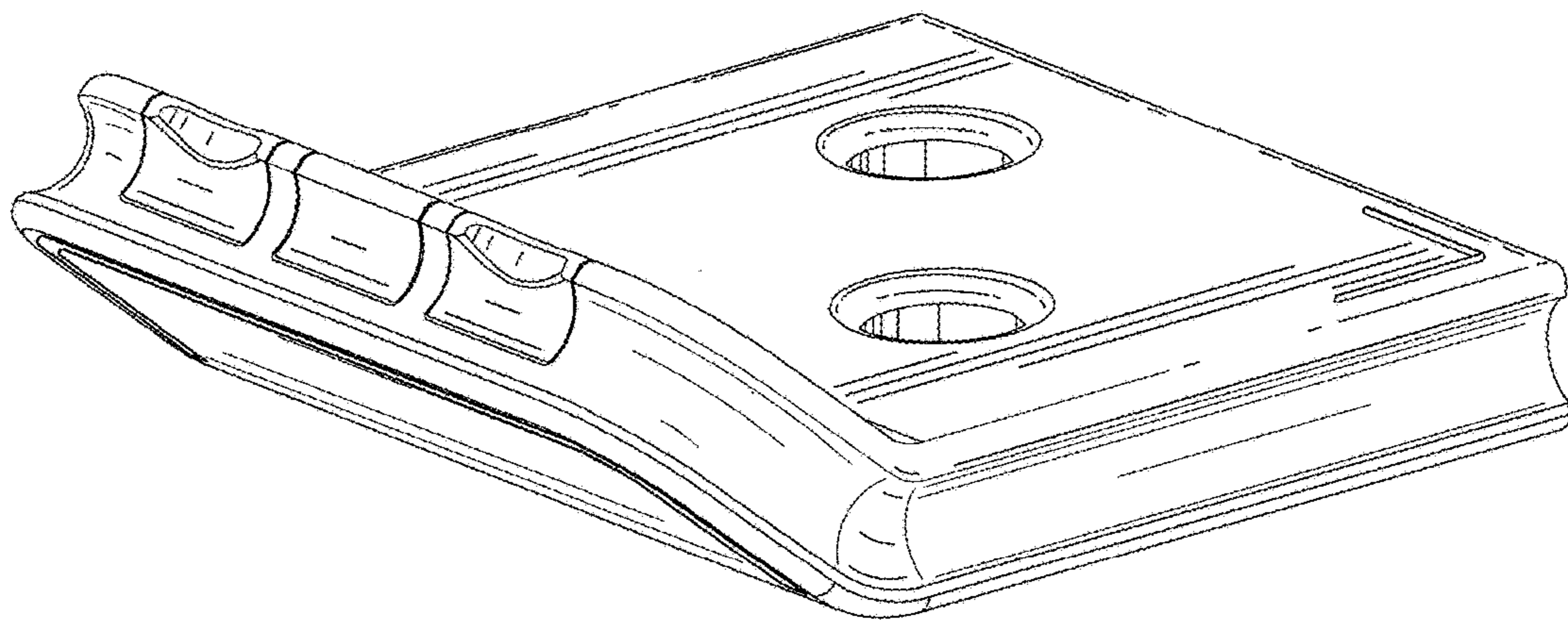


FIG. 10

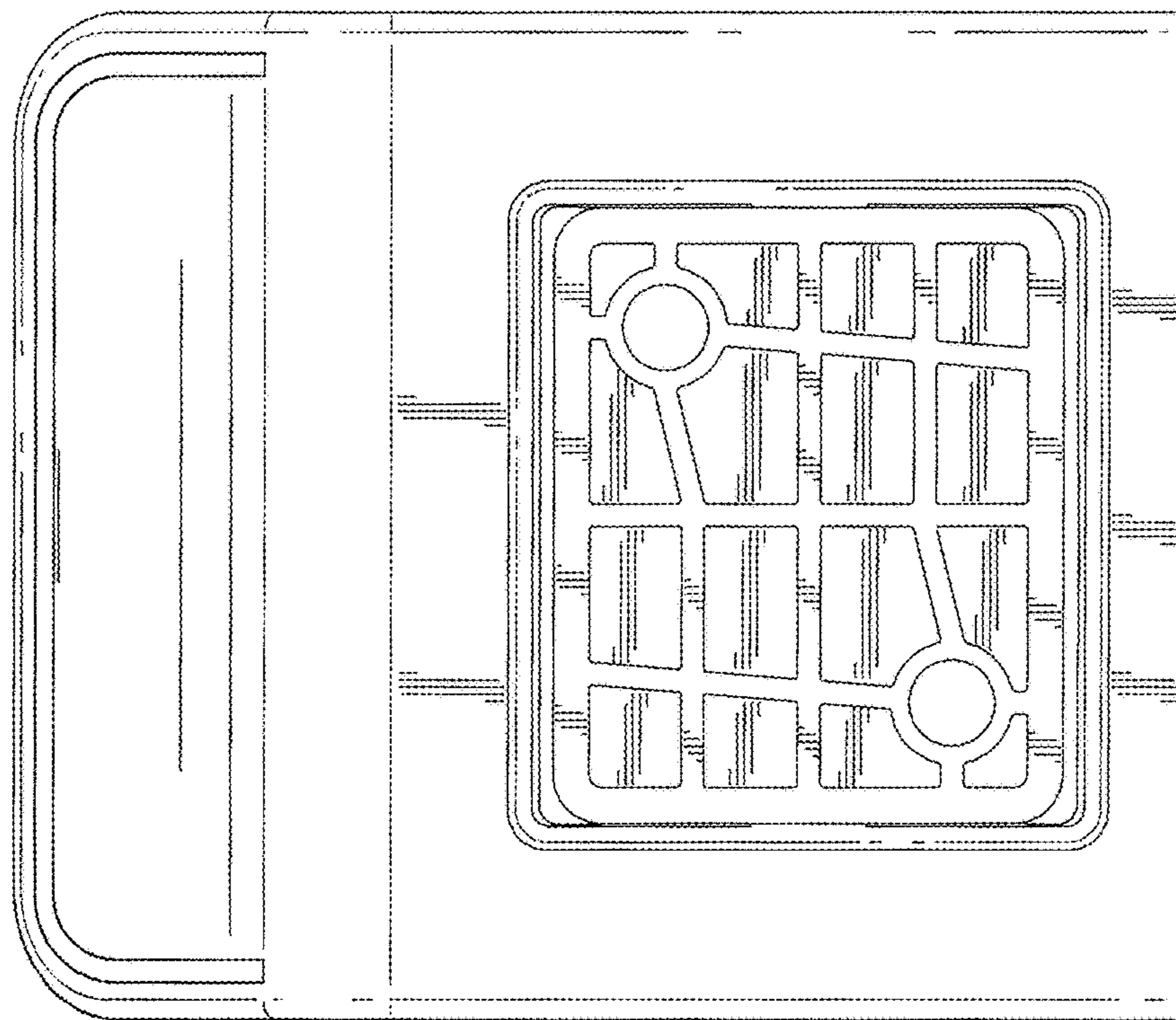


FIG. 11

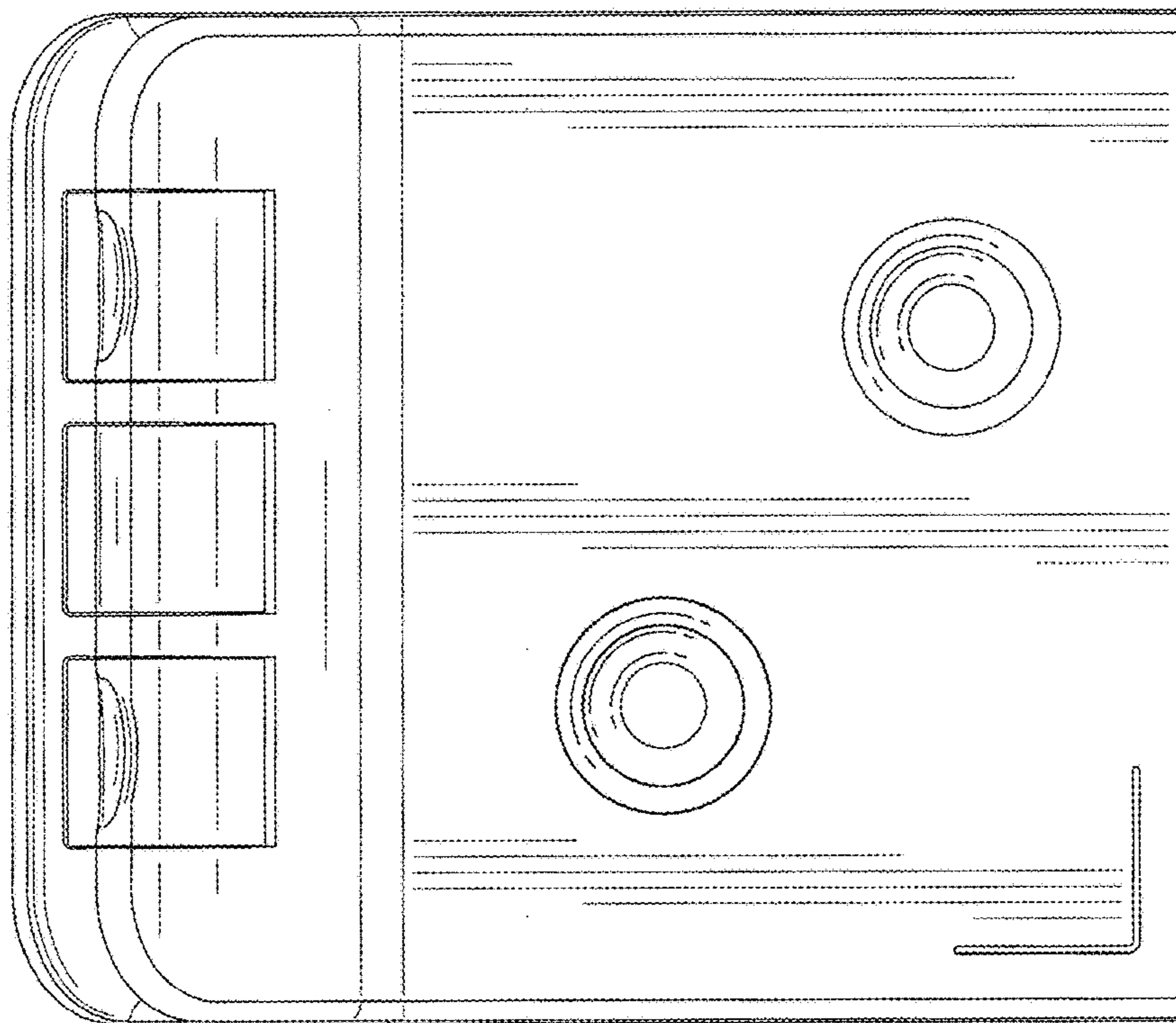


FIG. 12

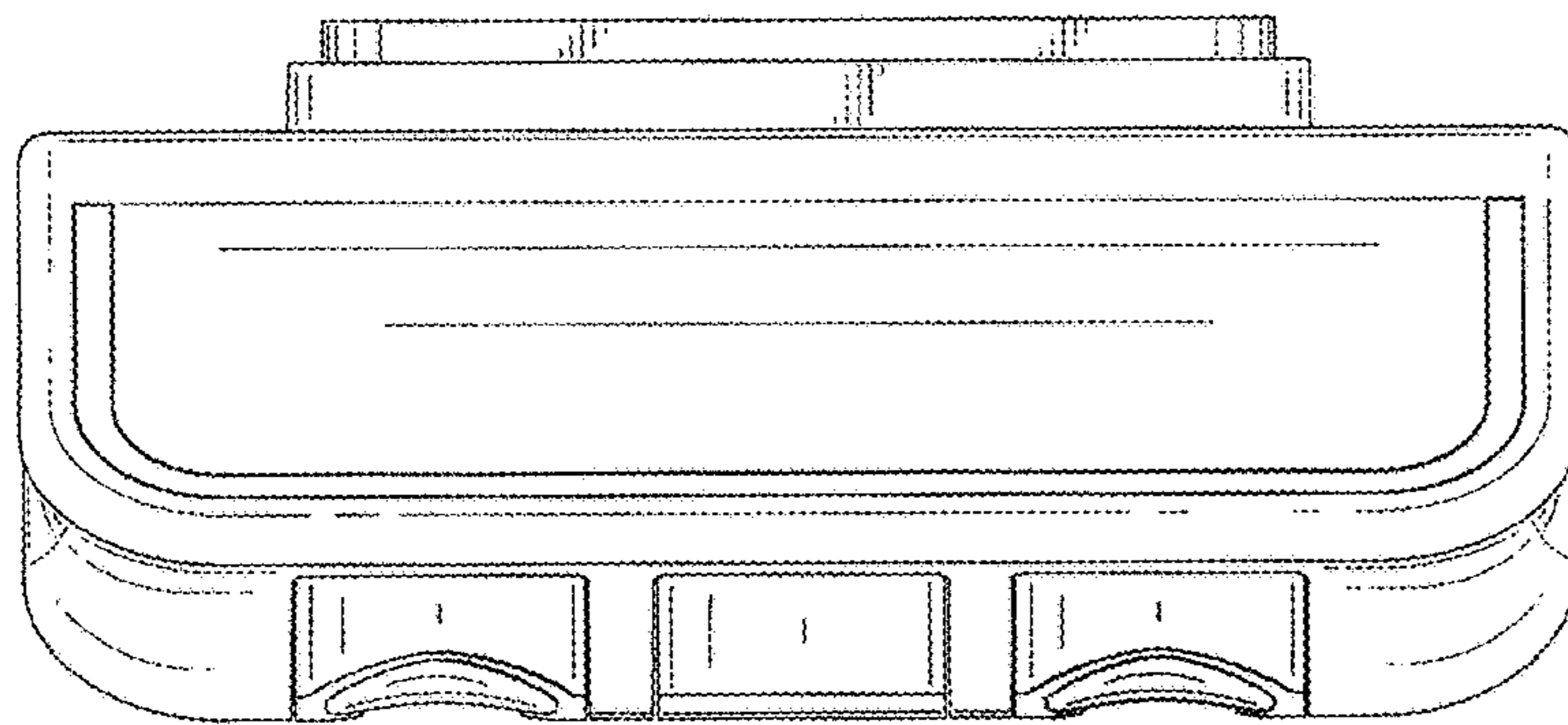


FIG. 13

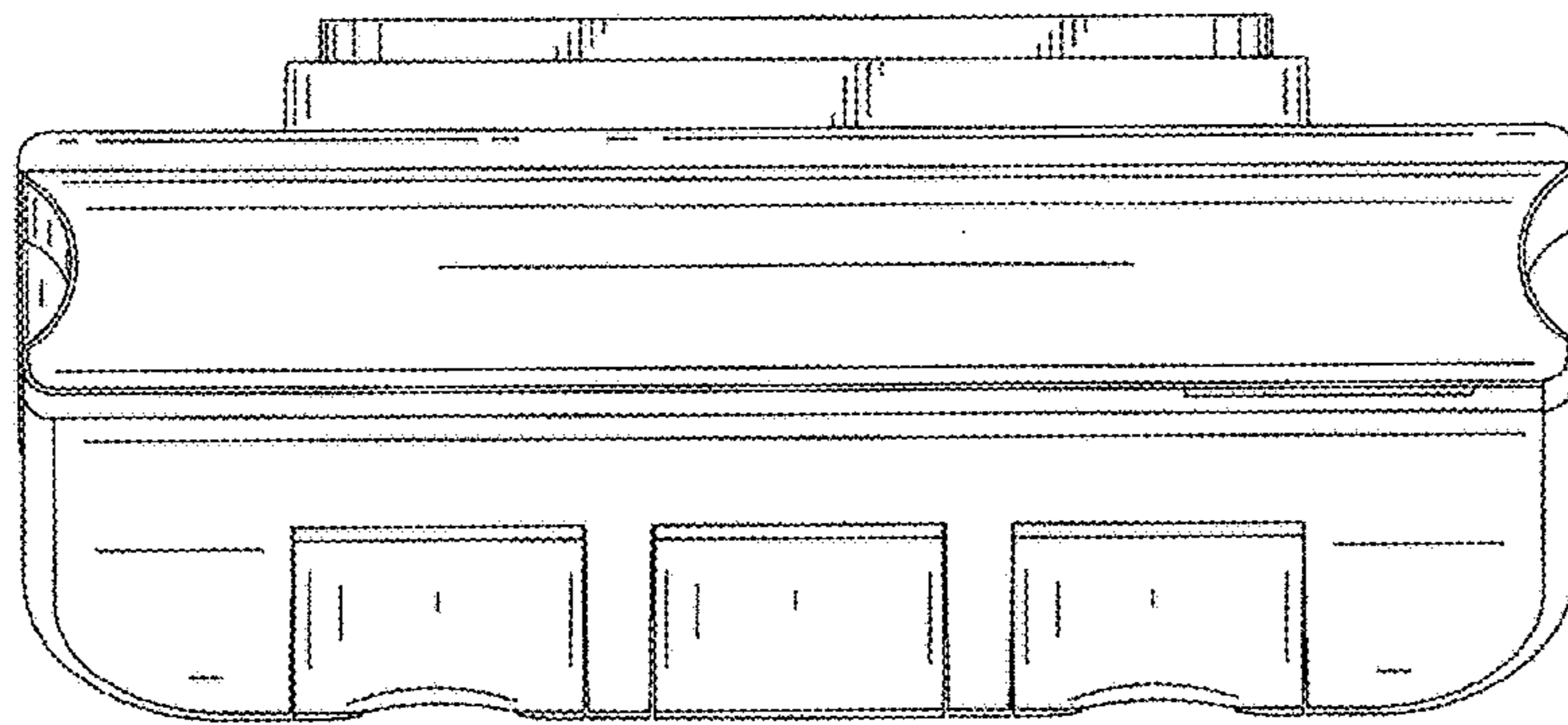


FIG. 14

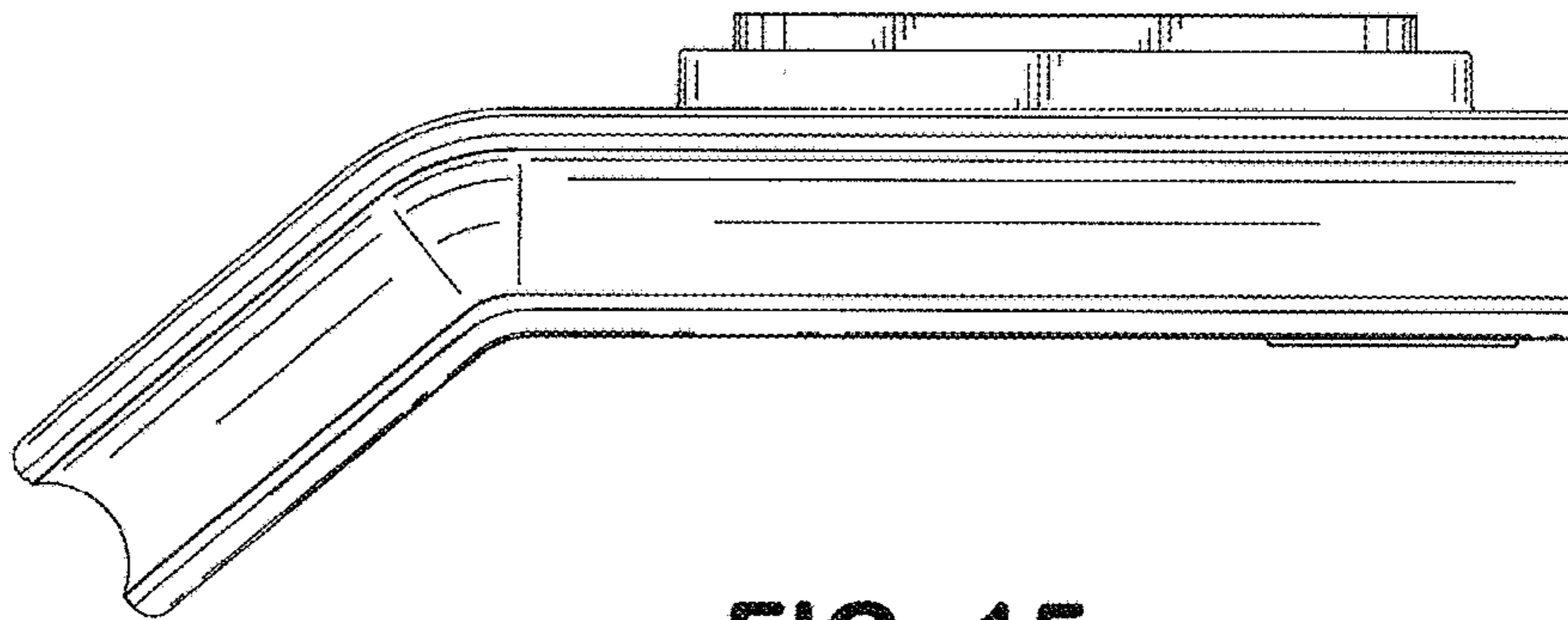


FIG. 15

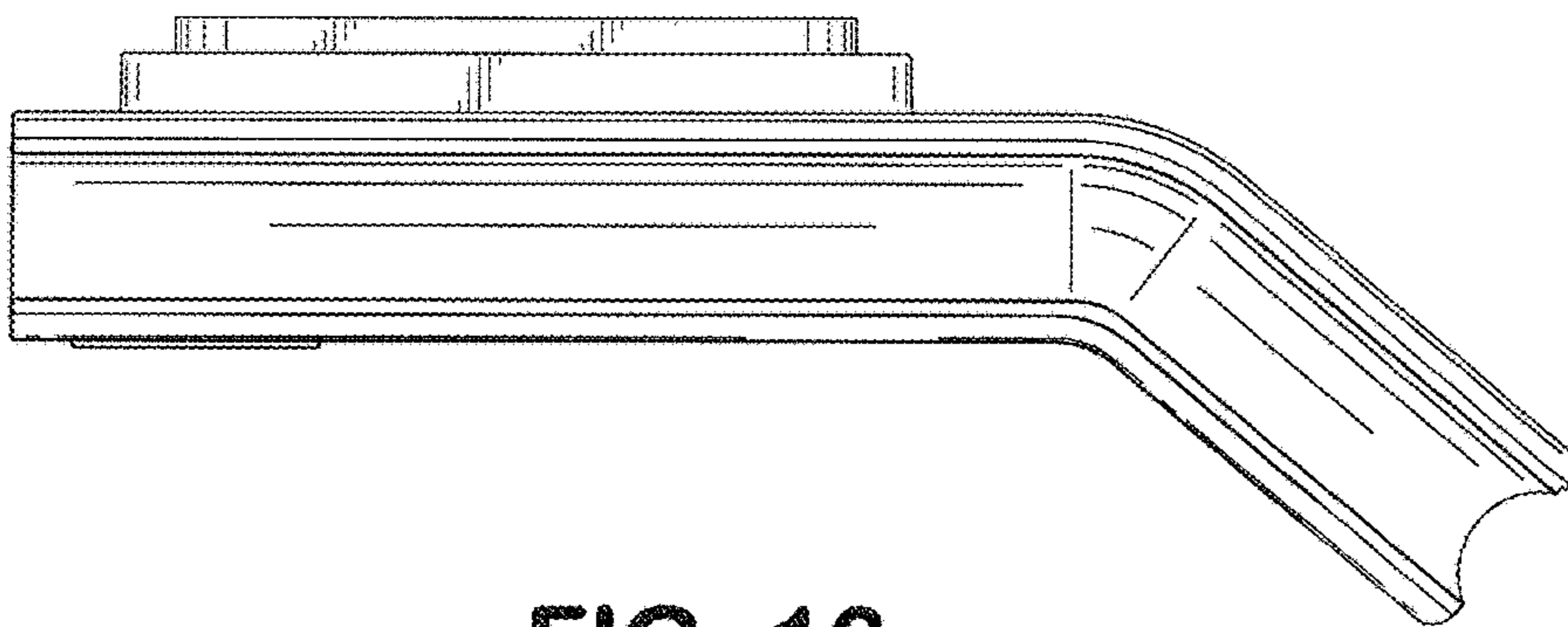


FIG. 16

UNITED STATES PATENT AND TRADEMARK OFFICE
CERTIFICATE OF CORRECTION

PATENT NO. : D852,759 S
APPLICATION NO. : 29/625239
DATED : July 2, 2019
INVENTOR(S) : Jesper Madsen Wolf and Jais Lundahl Olesen

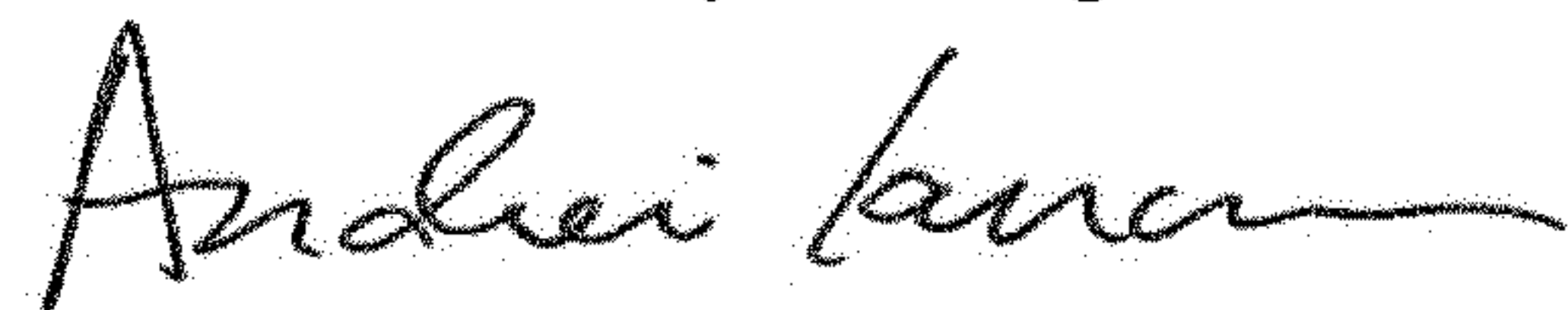
Page 1 of 1

It is certified that error appears in the above-identified patent and that said Letters Patent is hereby corrected as shown below:

On the Title Page

Item (73) Assignee: "Linak A/S, Bordborg (DK)" should be ~~–Linak A/S, Nordborg (DK)–~~

Signed and Sealed this
Twentieth Day of August, 2019



Andrei Iancu
Director of the United States Patent and Trademark Office