



US00D852758S

(12) **United States Design Patent** (10) **Patent No.:** **US D852,758 S**
Uitto (45) **Date of Patent:** **** Jul. 2, 2019**

(54) **DC SWITCH DISCONNECTOR**

(71) Applicant: **ABB Oy**, Helsinki (FI)

(72) Inventor: **Oskari Uitto**, Vaasa (FI)

(73) Assignee: **ABB Schweiz AG**, Baden (CH)

(**) Term: **15 Years**

(21) Appl. No.: **29/556,090**

(22) Filed: **Feb. 26, 2016**

(30) **Foreign Application Priority Data**

Sep. 1, 2015 (EM) 002763953

(51) **LOC (11) Cl.** **13-03**

(52) **U.S. Cl.**
USPC **D13/158**

(58) **Field of Classification Search**
USPC D13/103, 110, 112, 118, 123, 154,
D13/158-161, 166, 169, 171, 173, 174,
D13/178, 184, 199

CPC .. H01H 9/00; H01H 9/02; H01H 9/28; H01H
9/54; H01H 71/04; H01H 71/10; H01H
73/00; H01H 77/04; H01H 1/20; H01H
1/2041; H01H 1/22; H01H 1/64; H01H
1/365; H01H 7/00; H01H 9/26; H01H
9/40

See application file for complete search history.

(56) **References Cited**

U.S. PATENT DOCUMENTS

D571,303 S * 6/2008 Jokiniemi D13/158
D653,624 S * 2/2012 Mattlar D13/158
D654,441 S * 2/2012 Mattlar D13/158
D655,250 S * 3/2012 Jokiniemi D13/158
D679,663 S * 4/2013 Mattlar D13/158
D725,048 S * 3/2015 Valivainio D13/158

D737,220 S * 8/2015 Andersson D13/158
D737,221 S * 8/2015 Andersson D13/158
D756,308 S * 5/2016 Valivainio D13/158
D784,933 S * 4/2017 Andersson D13/158
2011/0308928 A1* 12/2011 Eisner H01H 9/342
200/5 A

* cited by examiner

Primary Examiner — Angela J Lee

Assistant Examiner — Shawn T Gingrich

(74) *Attorney, Agent, or Firm* — Taft Stettinius &
Hollister LLP; J. Bruce Schelkopf

(57) **CLAIM**

The ornamental design for a DC switch disconnecter, as shown and described.

DESCRIPTION

FIG. 1 is a front side perspective view of a DC switch disconnecter.

FIG. 2 is a top side view of the DC switch disconnecter shown in FIG. 1.

FIG. 3 is a bottom side view of the DC switch disconnecter shown in FIG. 1.

FIG. 4 is a left side view of the DC switch disconnecter shown in FIG. 1.

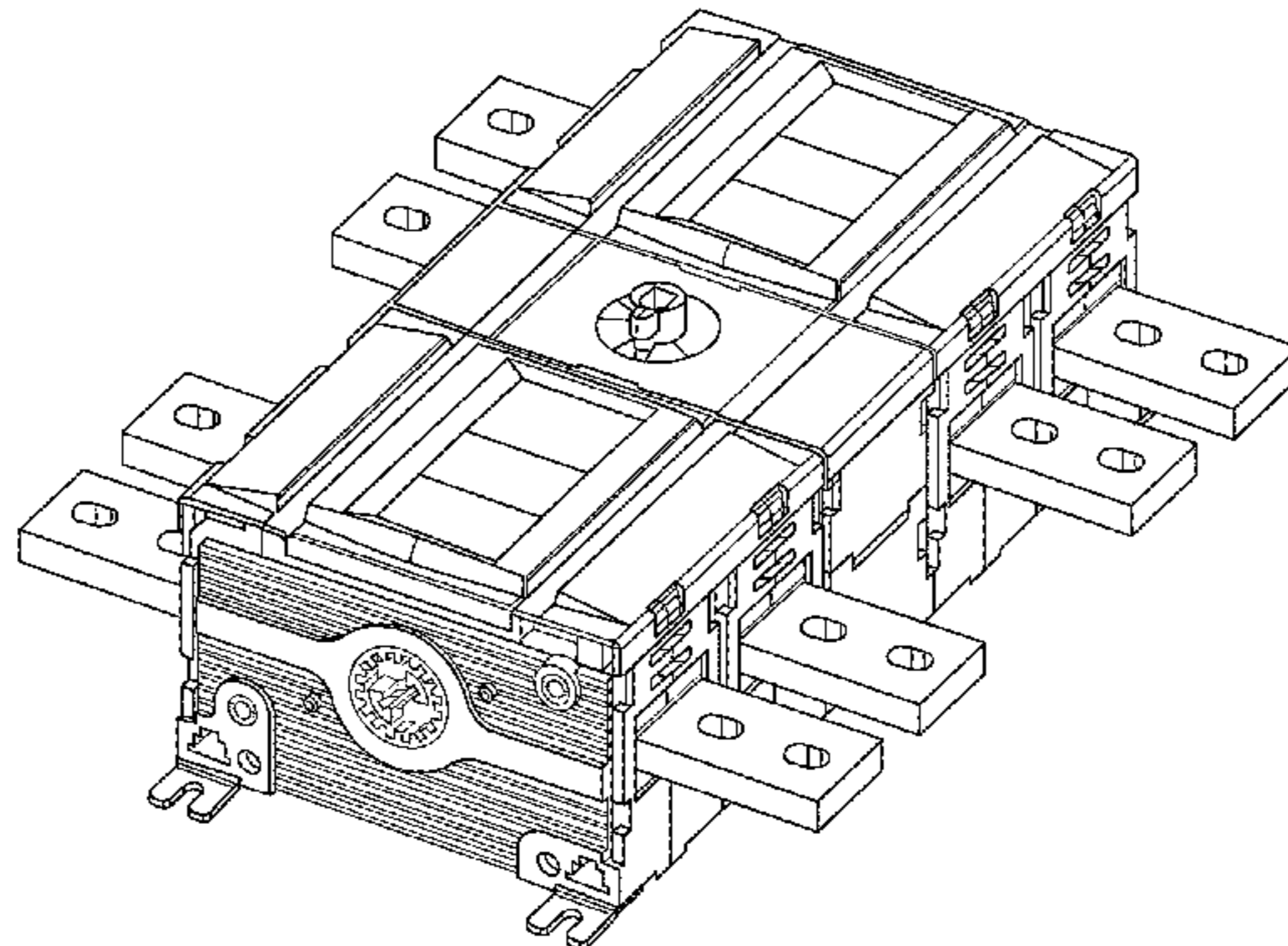
FIG. 5 is a right side view of the DC switch disconnecter shown in FIG. 1.

FIG. 6 is a rear side view of the DC switch disconnecter shown in FIG. 1; and,

FIG. 7 is a front side view of the DC switch disconnecter shown in FIG. 1.

The broken lines in the drawings illustrate portions of the DC switch disconnecter that form no part of the claimed design.

1 Claim, 7 Drawing Sheets



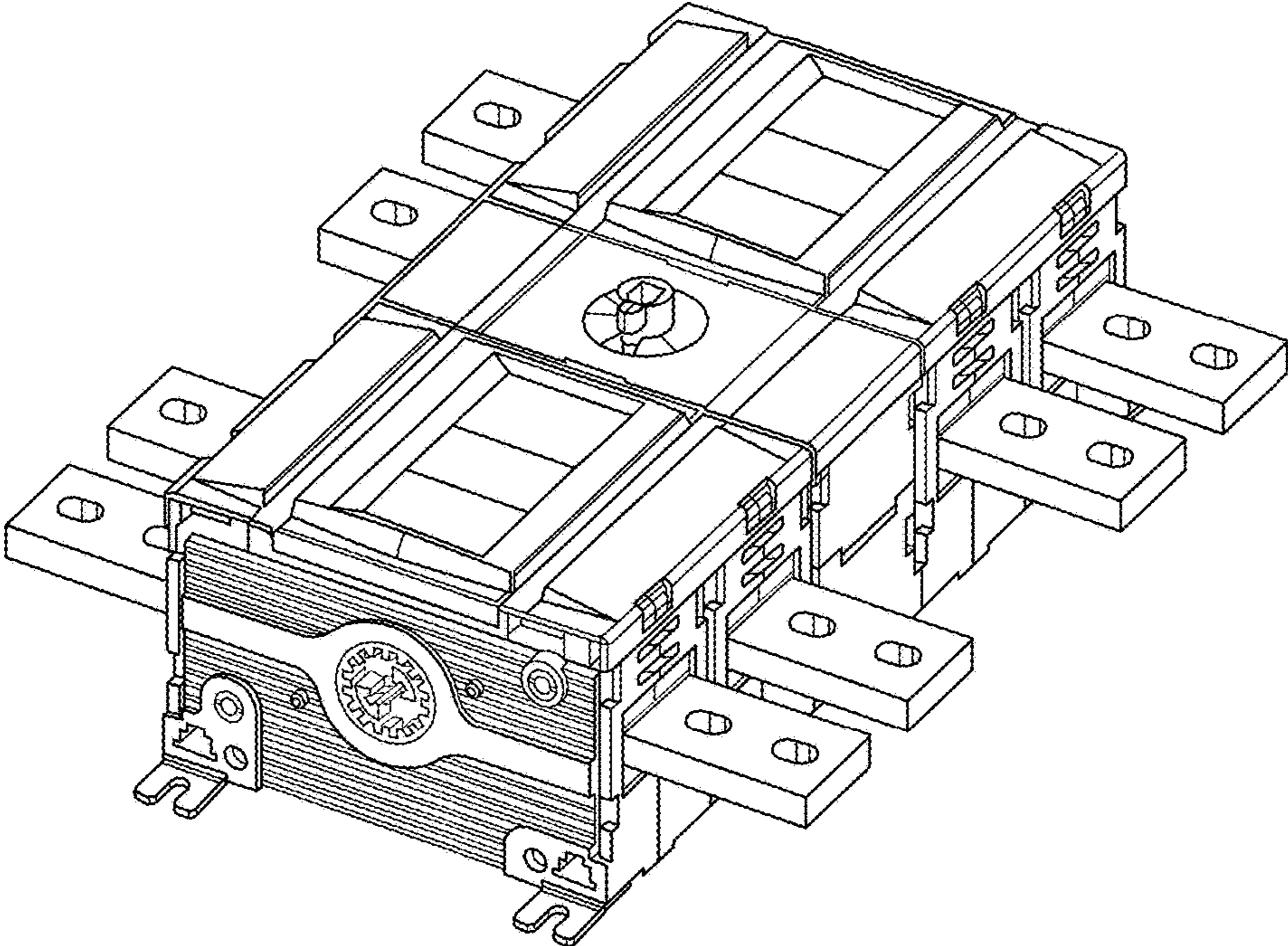


FIG. 1

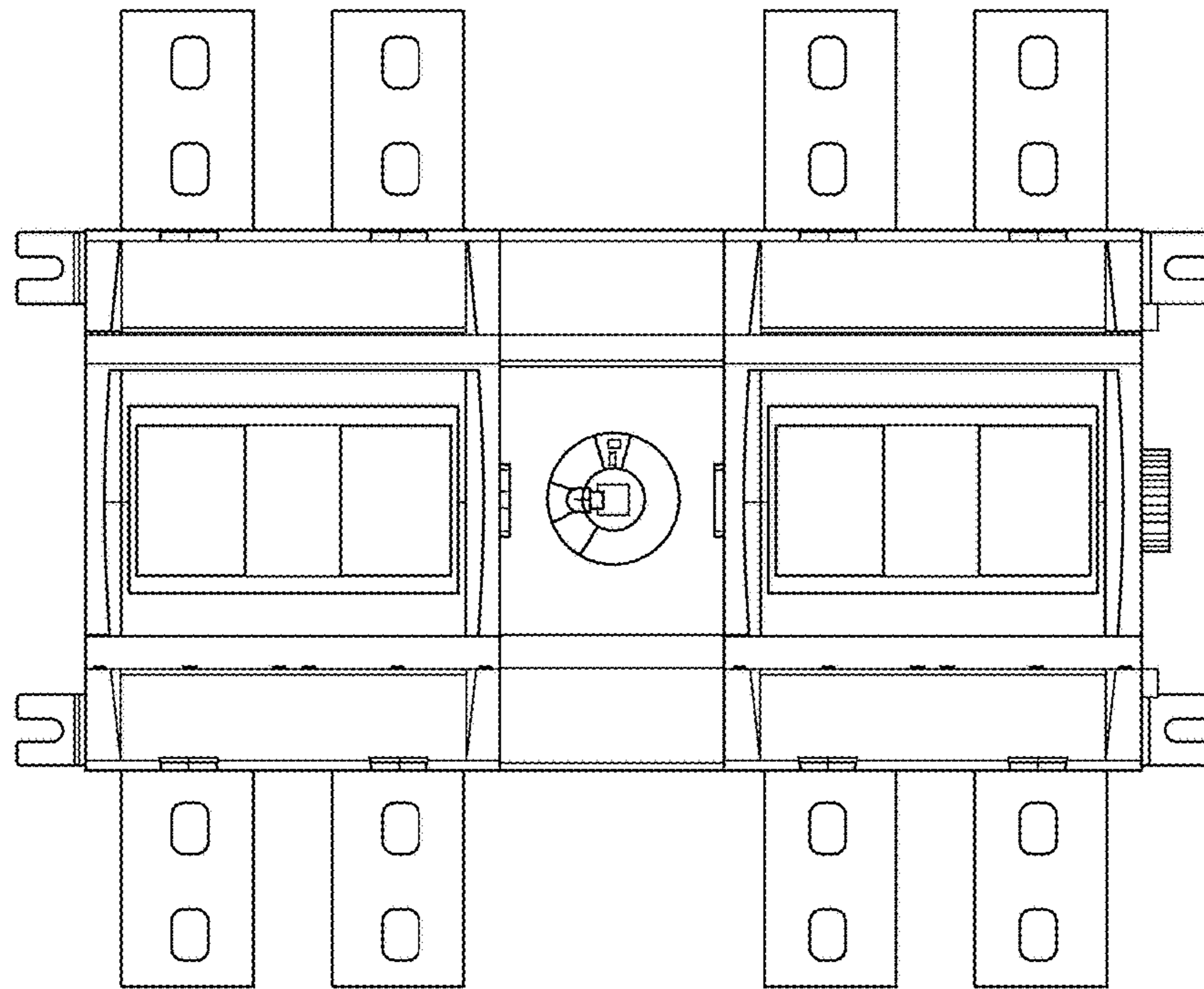


FIG. 2

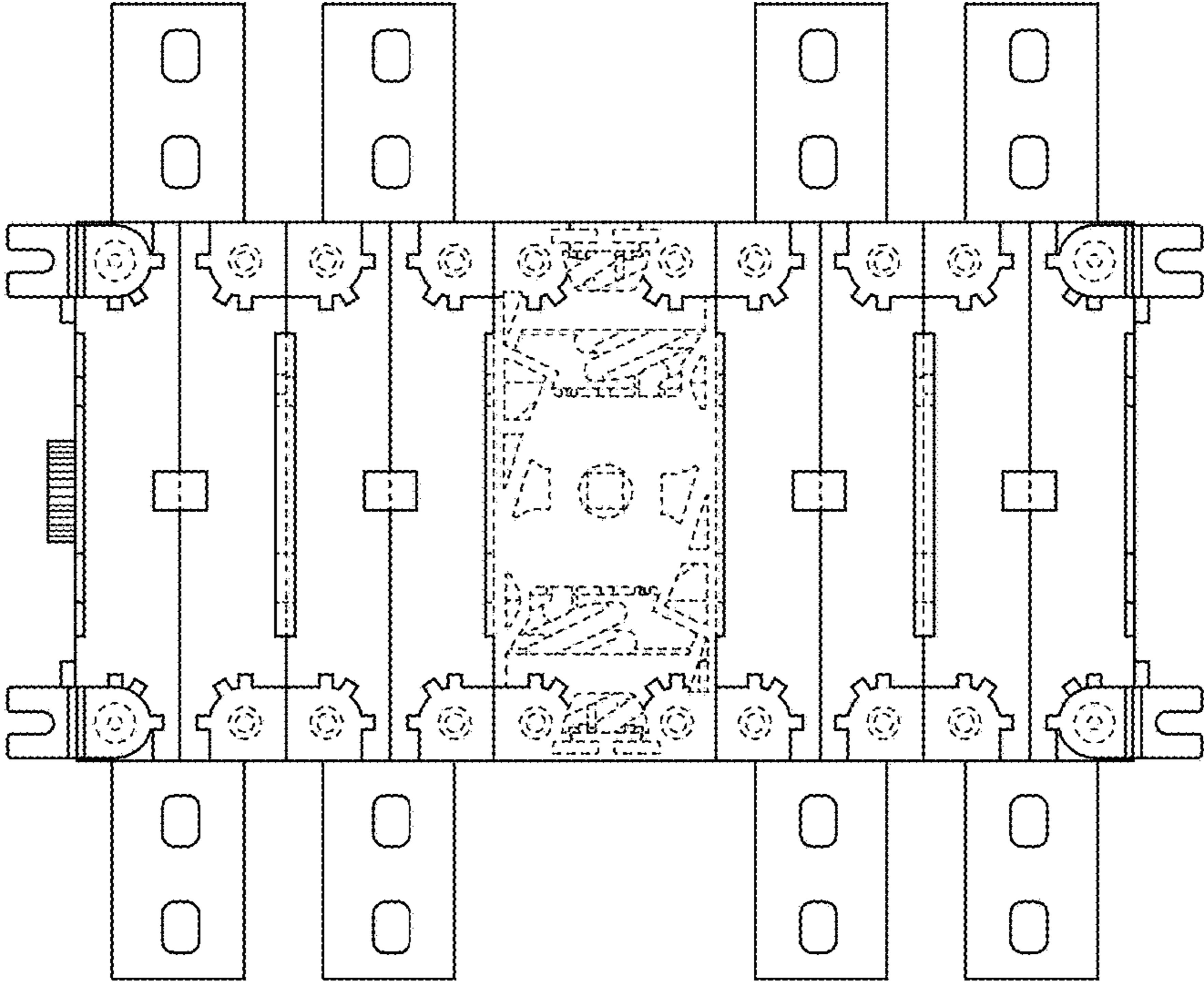


FIG. 3

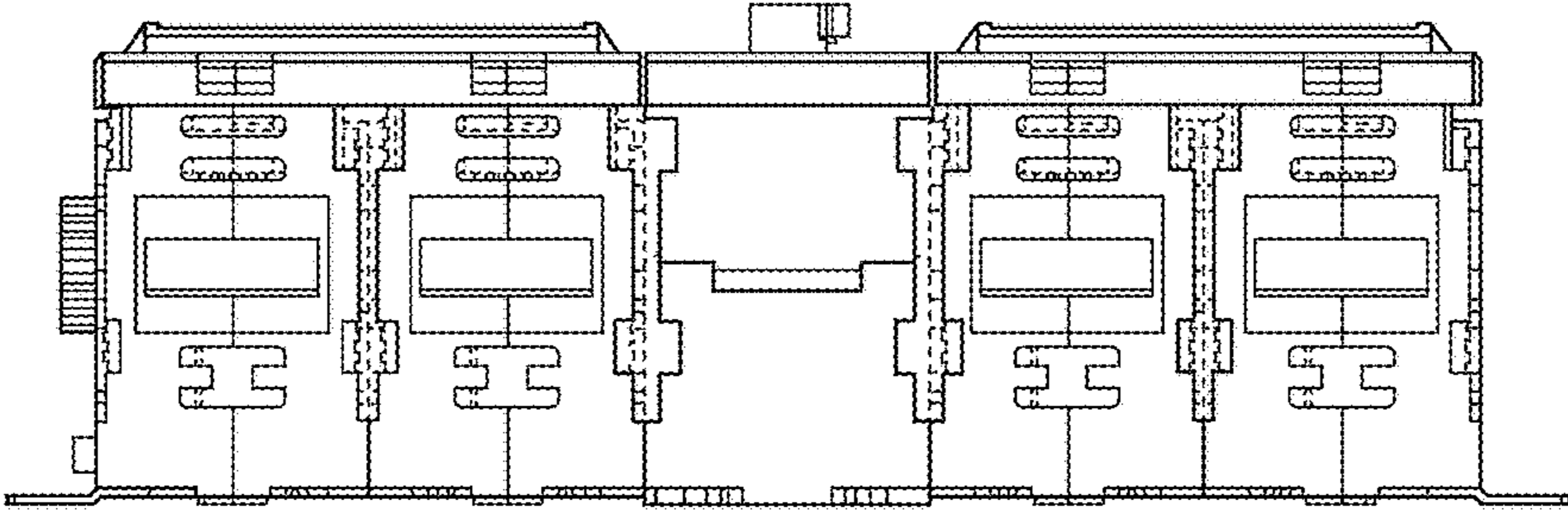


FIG. 4

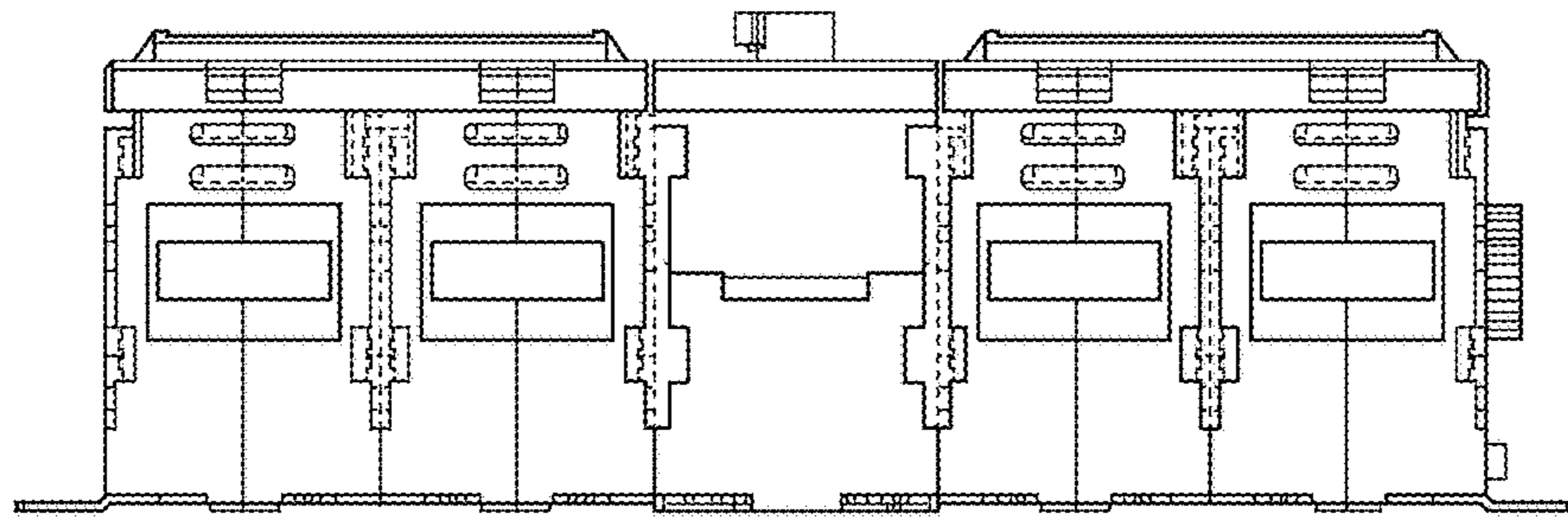


FIG. 5

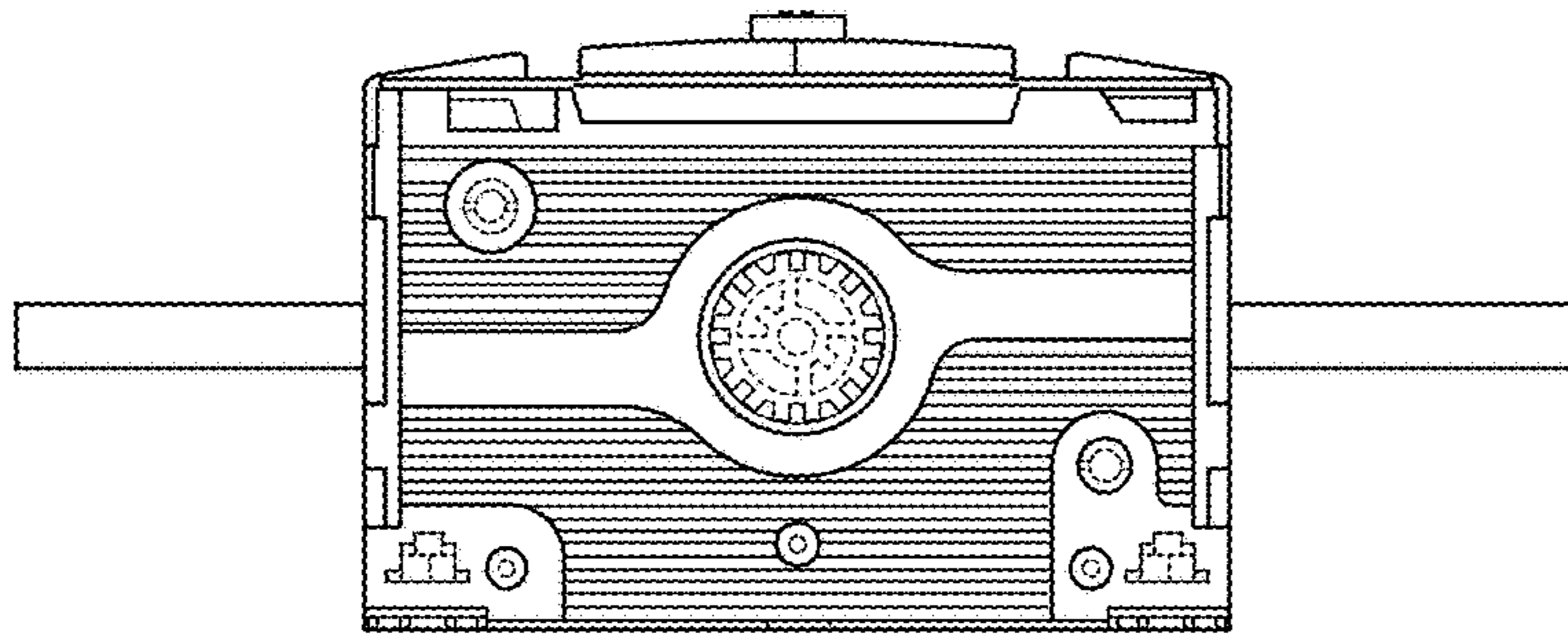


FIG. 6

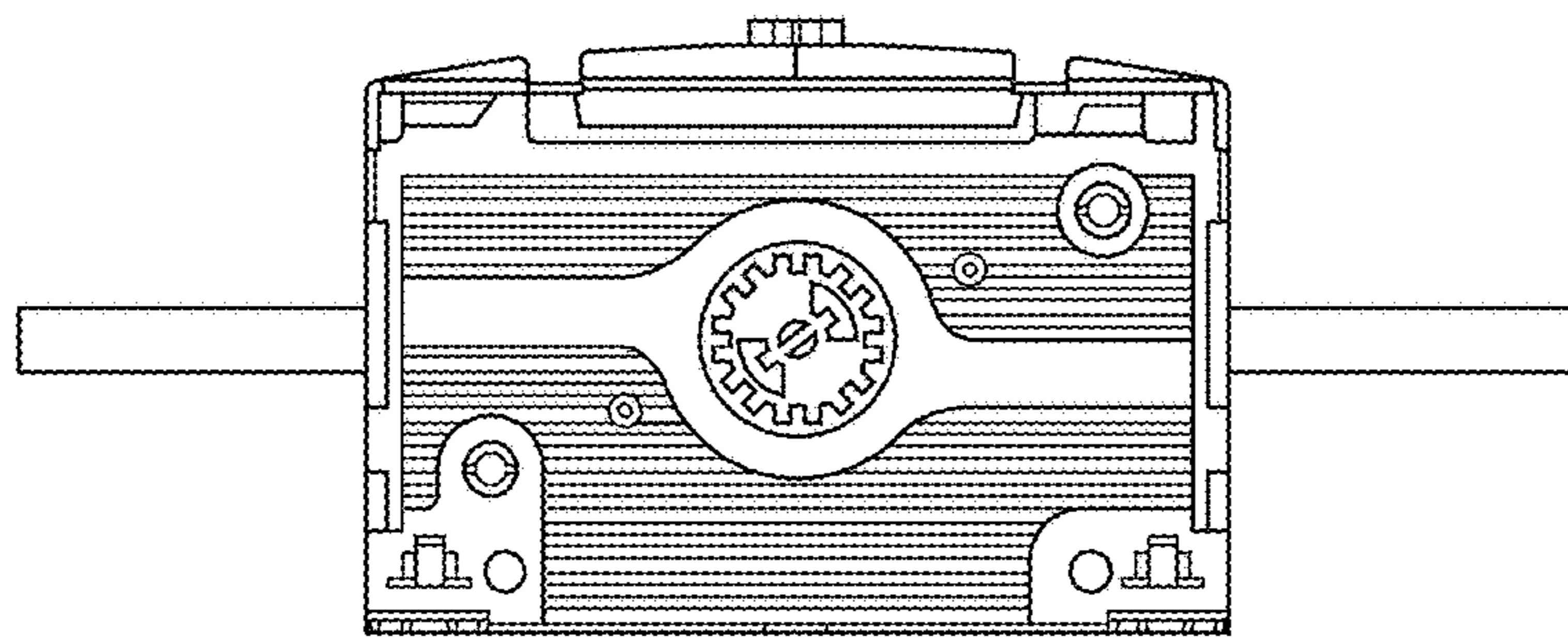


FIG. 7