



US00D852757S

(12) **United States Design Patent** (10) **Patent No.:** **US D852,757 S**  
**Huang et al.** (45) **Date of Patent:** **\*\* Jul. 2, 2019**

(54) **CONNECTOR CONTACT**

(56) **References Cited**

(71) Applicant: **Cheng Uei Precision Industry Co., Ltd.**, New Taipei (TW)  
 (72) Inventors: **Sheng-Yuan Huang**, New Taipei (TW);  
**Han-Wei Wang**, New Taipei (TW);  
**Te-Hung Yin**, New Taipei (TW)  
 (73) Assignee: **CHENG UEI PRECISION INDUSTRY CO., LTD.**, New Taipei (TW)

U.S. PATENT DOCUMENTS

D275,175 S *	8/1984	Rolli, Jr. ....	D13/154
D471,876 S *	3/2003	Jaag .....	D13/154
D478,316 S *	8/2003	Kondas .....	D13/146
D486,790 S *	2/2004	Kondas .....	D13/133
D552,559 S *	10/2007	Sanroma .....	D13/154
D554,589 S *	11/2007	Kondas .....	D13/133
D618,223 S *	6/2010	Tsai .....	D14/230
D622,671 S *	8/2010	Wang .....	D13/120
D657,312 S *	4/2012	Aragon .....	D13/118
D766,834 S *	9/2016	Endo .....	D13/154

\* cited by examiner

*Primary Examiner* — Daniel D Bui

(74) *Attorney, Agent, or Firm* — Cheng-Ju Chiang

(\*\*) Term: **15 Years**  
 (21) Appl. No.: **29/643,151**

(22) Filed: **Apr. 4, 2018**

(51) **LOC (11) Cl.** ..... **13-03**

(52) **U.S. Cl.**  
 USPC ..... **D13/154**

(58) **Field of Classification Search**  
 USPC ..... D13/118, 120, 133, 154, 184, 199  
 CPC ... H01R 4/16; H01R 4/18; H01R 4/20; H01R 43/02; H01R 43/048; H01R 9/24; H01R 9/048; H01R 13/05; H01R 13/11; H01R 13/245; H01R 13/2464; H01R 13/26; H01R 13/432; H01R 13/506; H01R 13/52; H01R 13/533; H01R 13/627; H01R 13/629

See application file for complete search history.

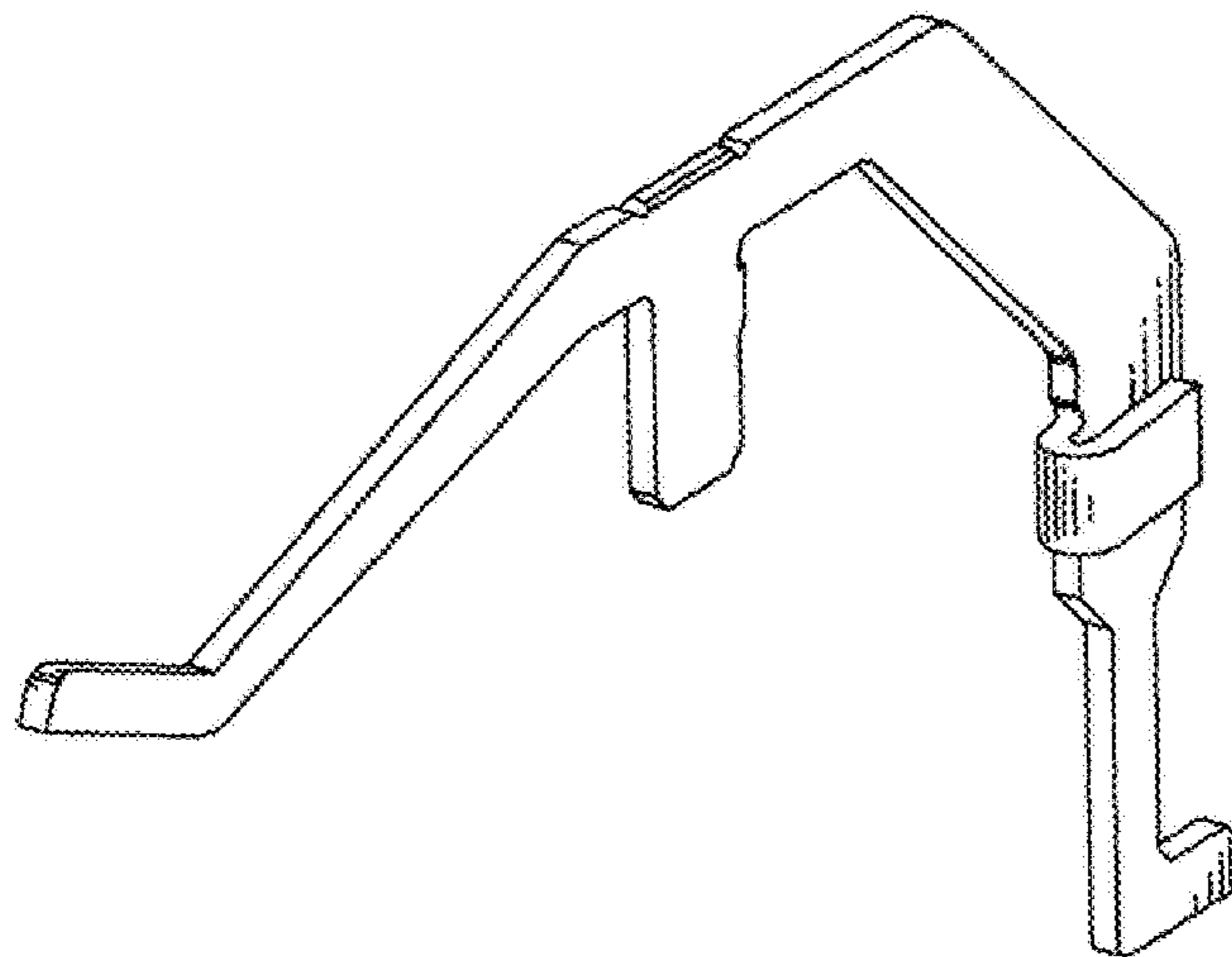
(57) **CLAIM**

The ornamental design for a connector contact, as shown and described.

**DESCRIPTION**

FIG. 1 is a perspective view of a connector contact showing our new design;  
 FIG. 2 is a front elevational view thereof;  
 FIG. 3 is a rear elevational view thereof;  
 FIG. 4 is a left side elevational view thereof;  
 FIG. 5 is a right side elevational view thereof;  
 FIG. 6 is a top plan view thereof; and,  
 FIG. 7 is a bottom plan view thereof.

**1 Claim, 7 Drawing Sheets**



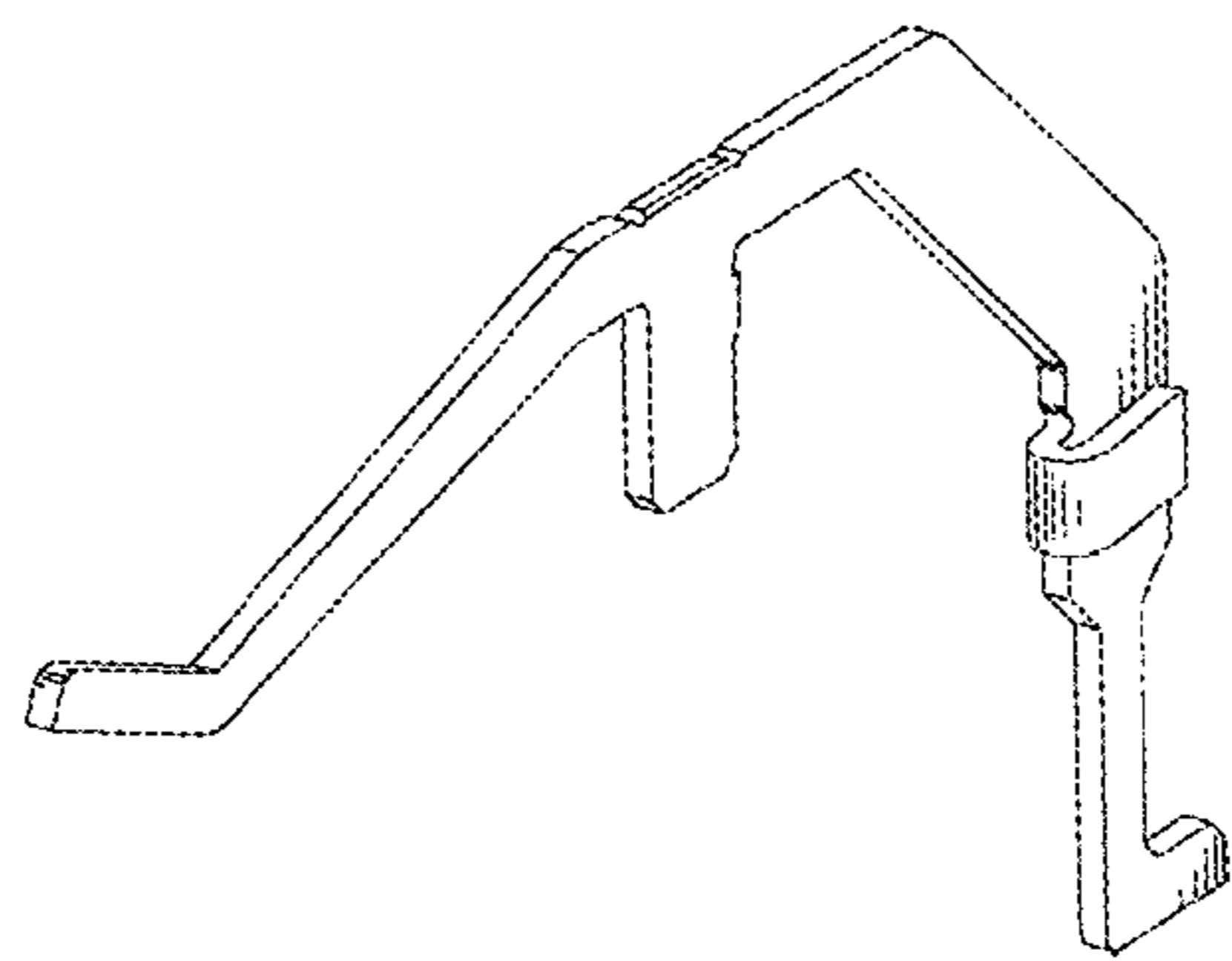


FIG. 1



FIG. 2

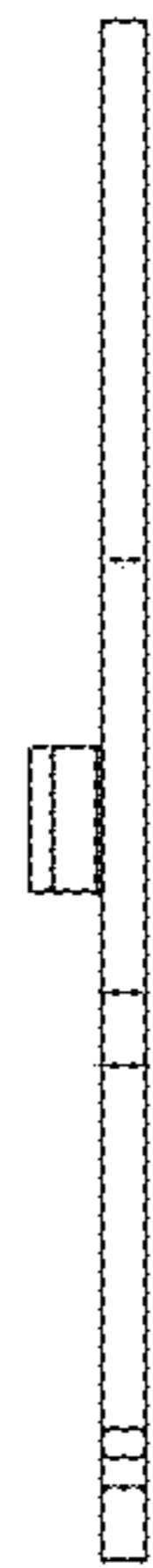


FIG. 3

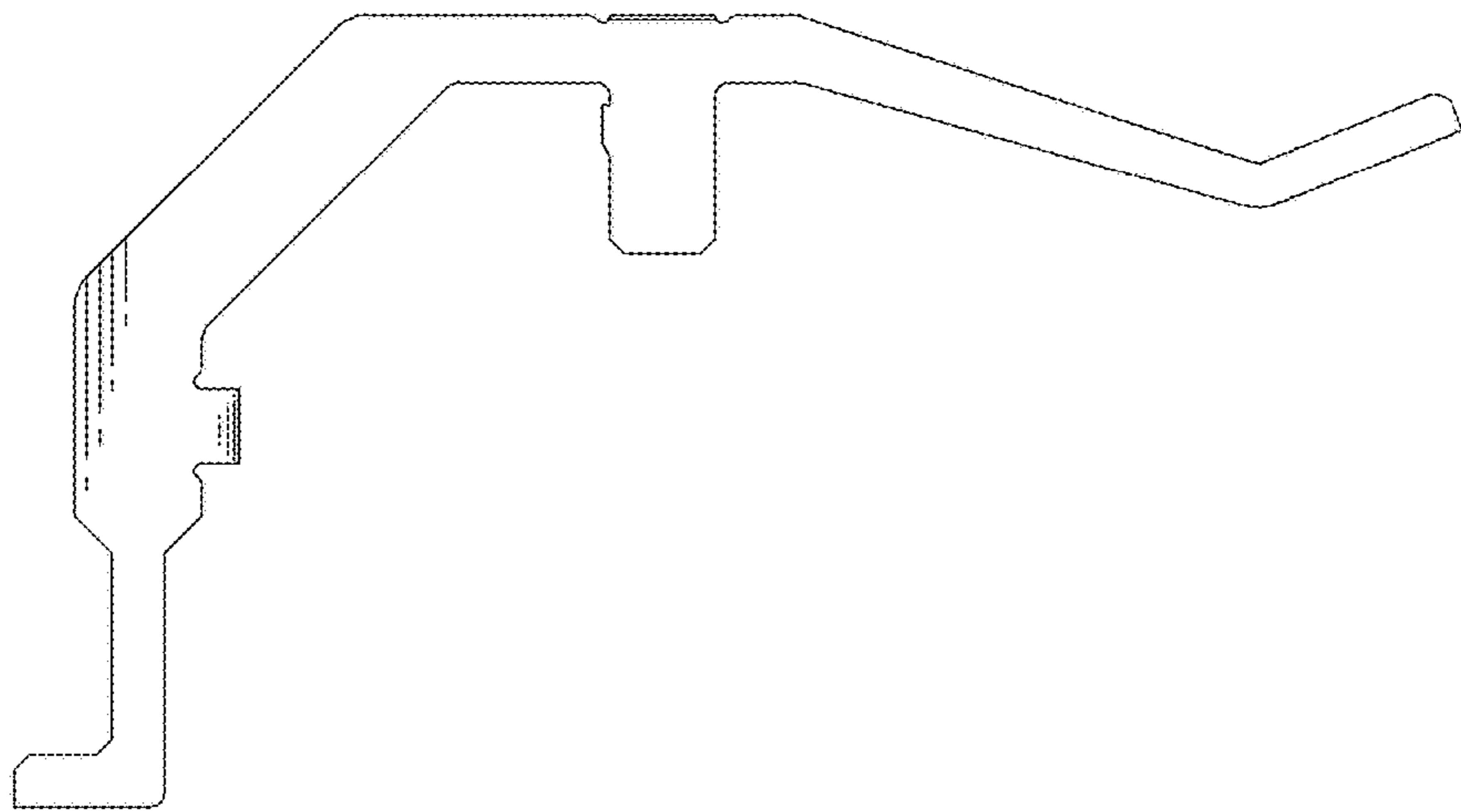


FIG. 4

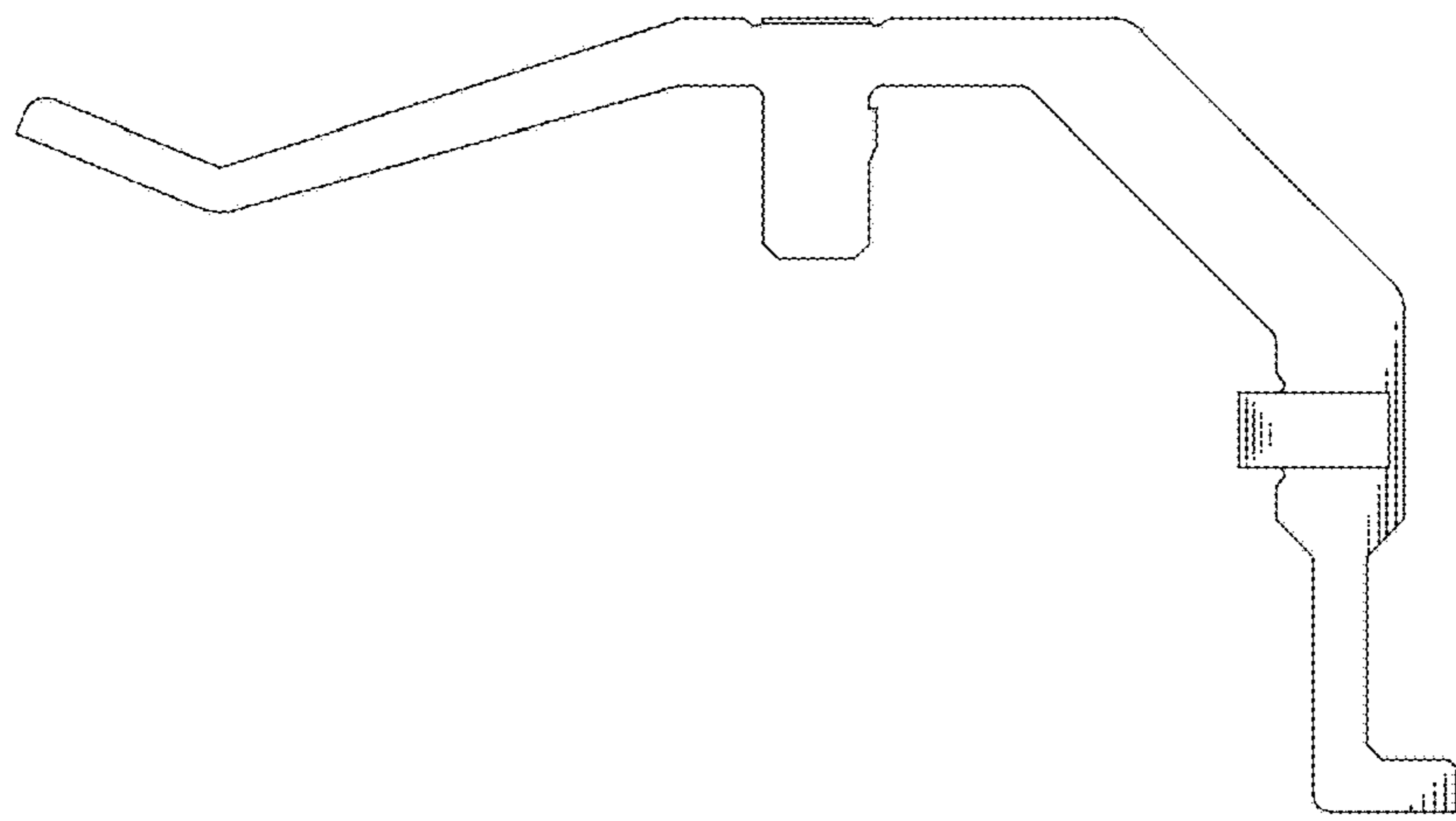


FIG. 5

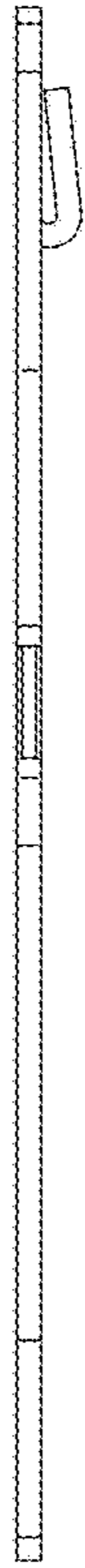


FIG. 6



FIG. 7