



US00D852756S

(12) **United States Design Patent** (10) **Patent No.:** **US D852,756 S**
Huang et al. (45) **Date of Patent:** **** Jul. 2, 2019**

(54) **CONNECTOR CONTACT**

(56) **References Cited**

(71) Applicant: **Cheng Uei Precision Industry Co., Ltd.**, New Taipei (TW)
(72) Inventors: **Sheng-Yuan Huang**, New Taipei (TW); **Han-Wei Wang**, New Taipei (TW); **Pei-Yi Lin**, New Taipei (TW); **Te-Hung Yin**, New Taipei (TW)
(73) Assignee: **CHENG UEI PRECISION INDUSTRY CO., LTD.**, New Taipei (TW)

U.S. PATENT DOCUMENTS

| | | | |
|--------------|---------|-----------------|---------|
| D275,175 S * | 8/1984 | Rolli, Jr. | D13/154 |
| D471,876 S * | 3/2003 | Jaag | D13/154 |
| D478,316 S * | 8/2003 | Kondas | D13/146 |
| D486,790 S * | 2/2004 | Kondas | D13/133 |
| D552,559 S * | 10/2007 | Sanroma | D13/154 |
| D554,589 S * | 11/2007 | Kondas | D13/133 |
| D618,223 S * | 6/2010 | Tsai | D14/230 |
| D622,671 S * | 8/2010 | Wang | D13/120 |
| D657,312 S * | 4/2012 | Aragon | D13/118 |
| D766,834 S * | 9/2016 | Endo | D13/154 |

* cited by examiner

(**) Term: **15 Years**

Primary Examiner — Daniel D Bui

(21) Appl. No.: **29/643,145**

(74) *Attorney, Agent, or Firm* — Cheng-Ju Chiang

(22) Filed: **Apr. 4, 2018**

(57) **CLAIM**

(51) **LOC (11) Cl.** **13-03**

The ornamental design for a connector contact, as shown and described.

(52) **U.S. Cl.**

USPC **D13/154**

DESCRIPTION

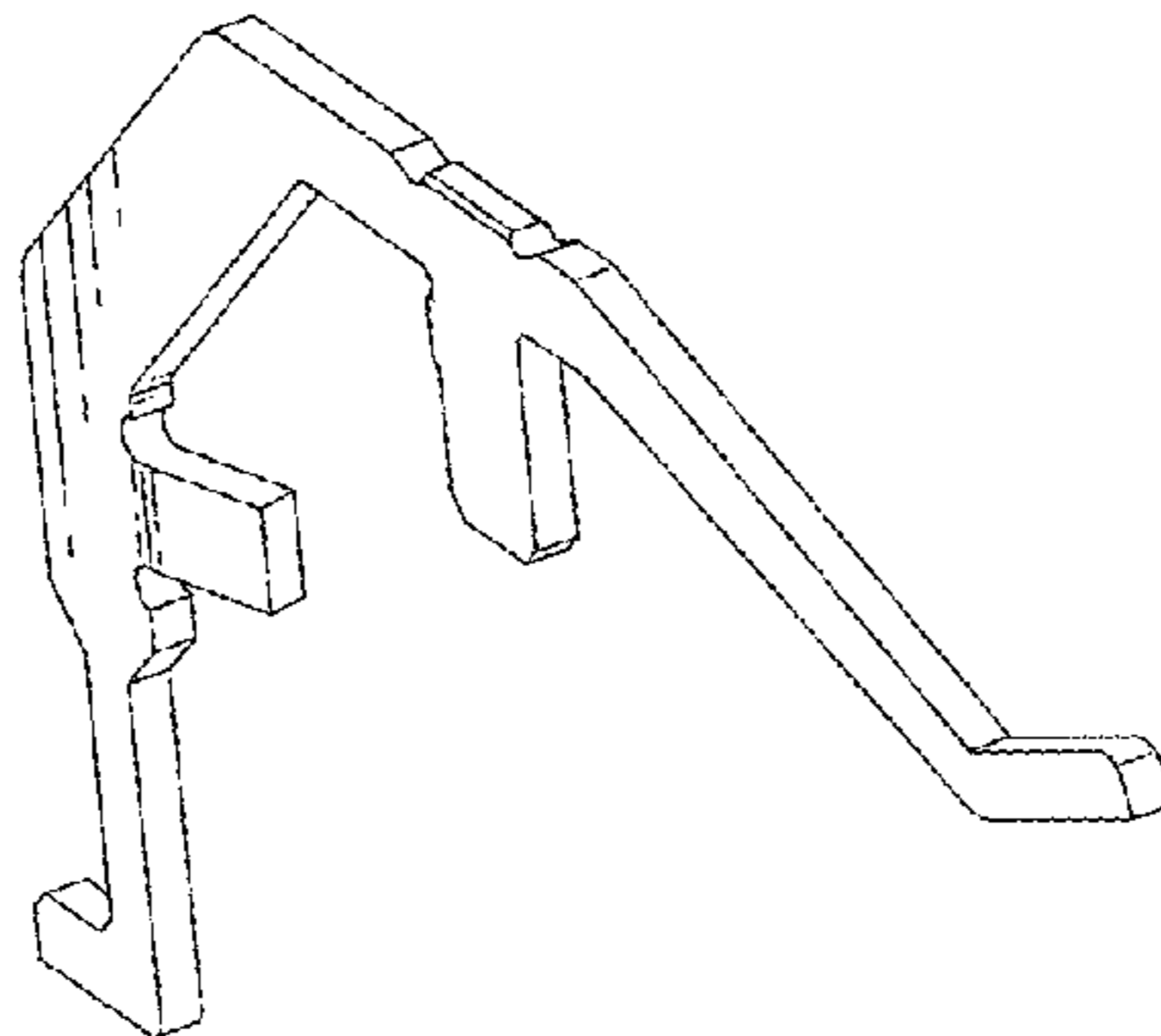
(58) **Field of Classification Search**

USPC D13/118, 120, 133, 154, 184, 199
CPC ... H01R 4/16; H01R 4/18; H01R 4/20; H01R 43/02; H01R 43/048; H01R 9/24; H01R 9/048; H01R 13/05; H01R 13/11; H01R 13/245; H01R 13/2464; H01R 13/26; H01R 13/432; H01R 13/506; H01R 13/52; H01R 13/533; H01R 13/627; H01R 13/629

FIG. 1 is a perspective view of a connector contact showing our new design;
FIG. 2 is a front elevational view thereof;
FIG. 3 is a rear elevational view thereof;
FIG. 4 is a left side elevational view thereof;
FIG. 5 is a right side elevational view thereof;
FIG. 6 is a top plan view thereof; and,
FIG. 7 is a bottom plan view thereof.

See application file for complete search history.

1 Claim, 7 Drawing Sheets



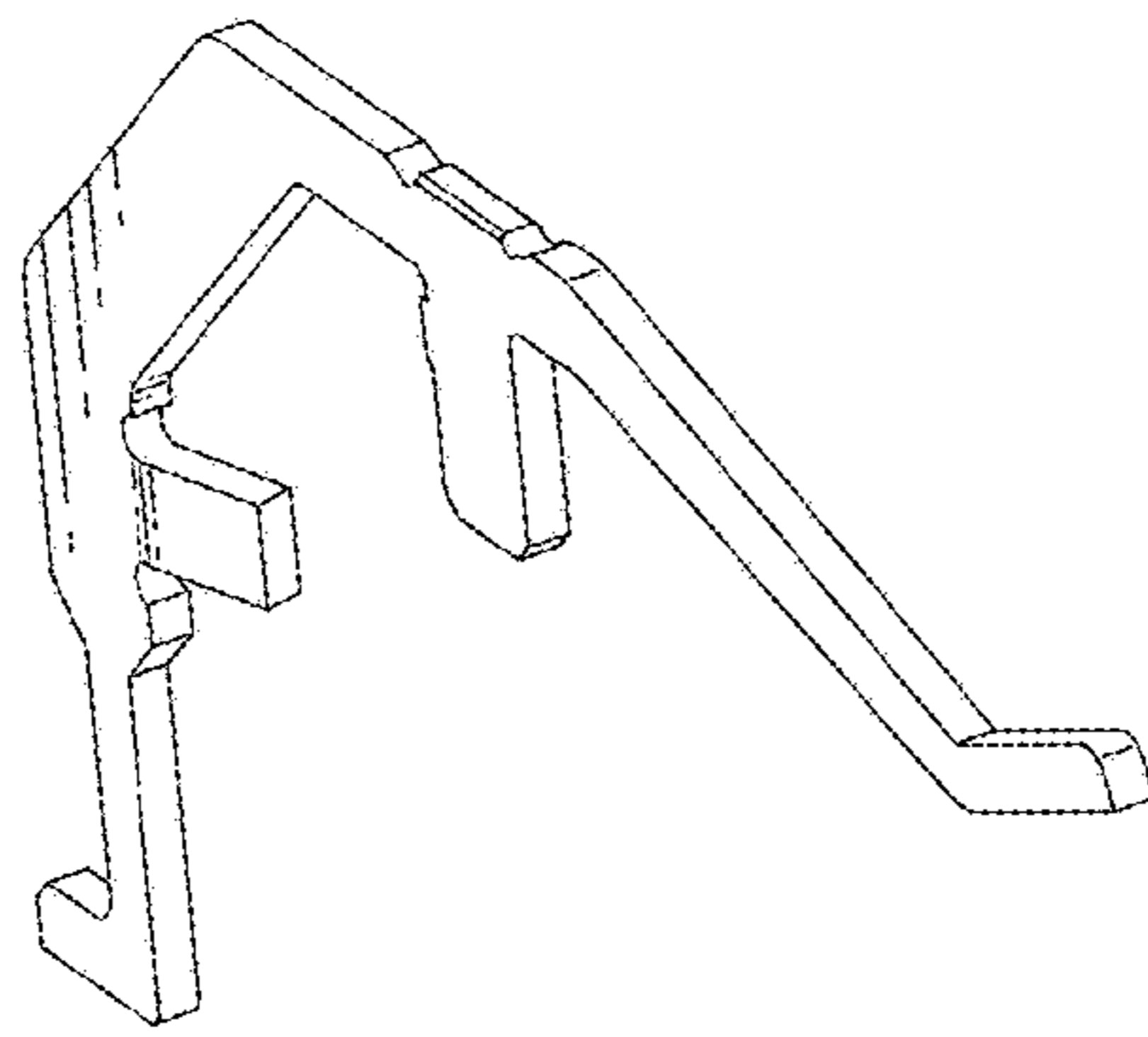


FIG. 1

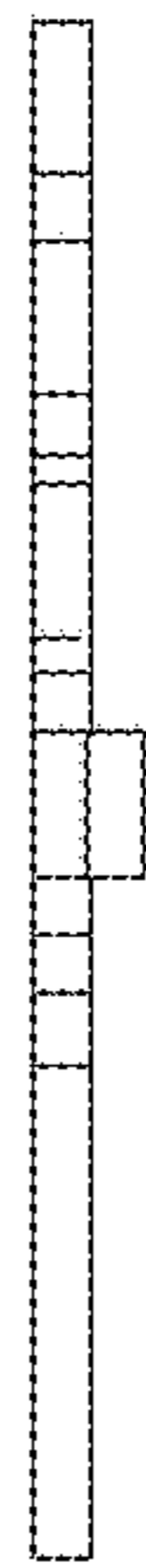


FIG. 2

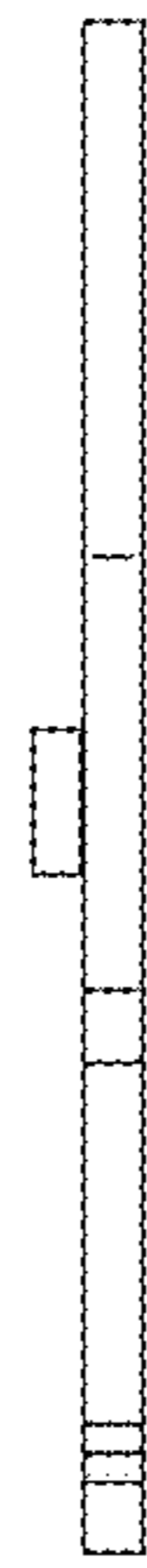


FIG. 3

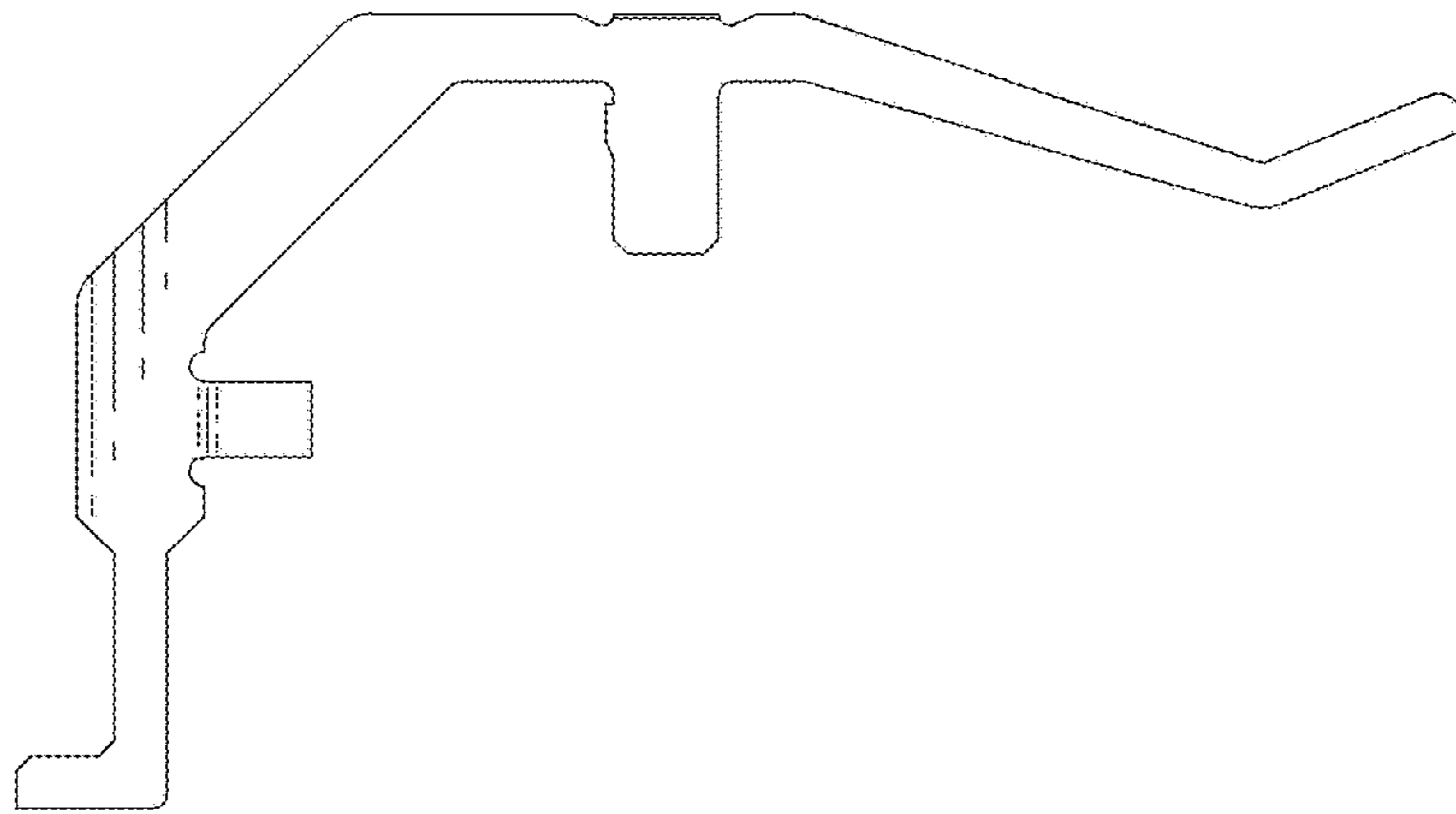


FIG. 4

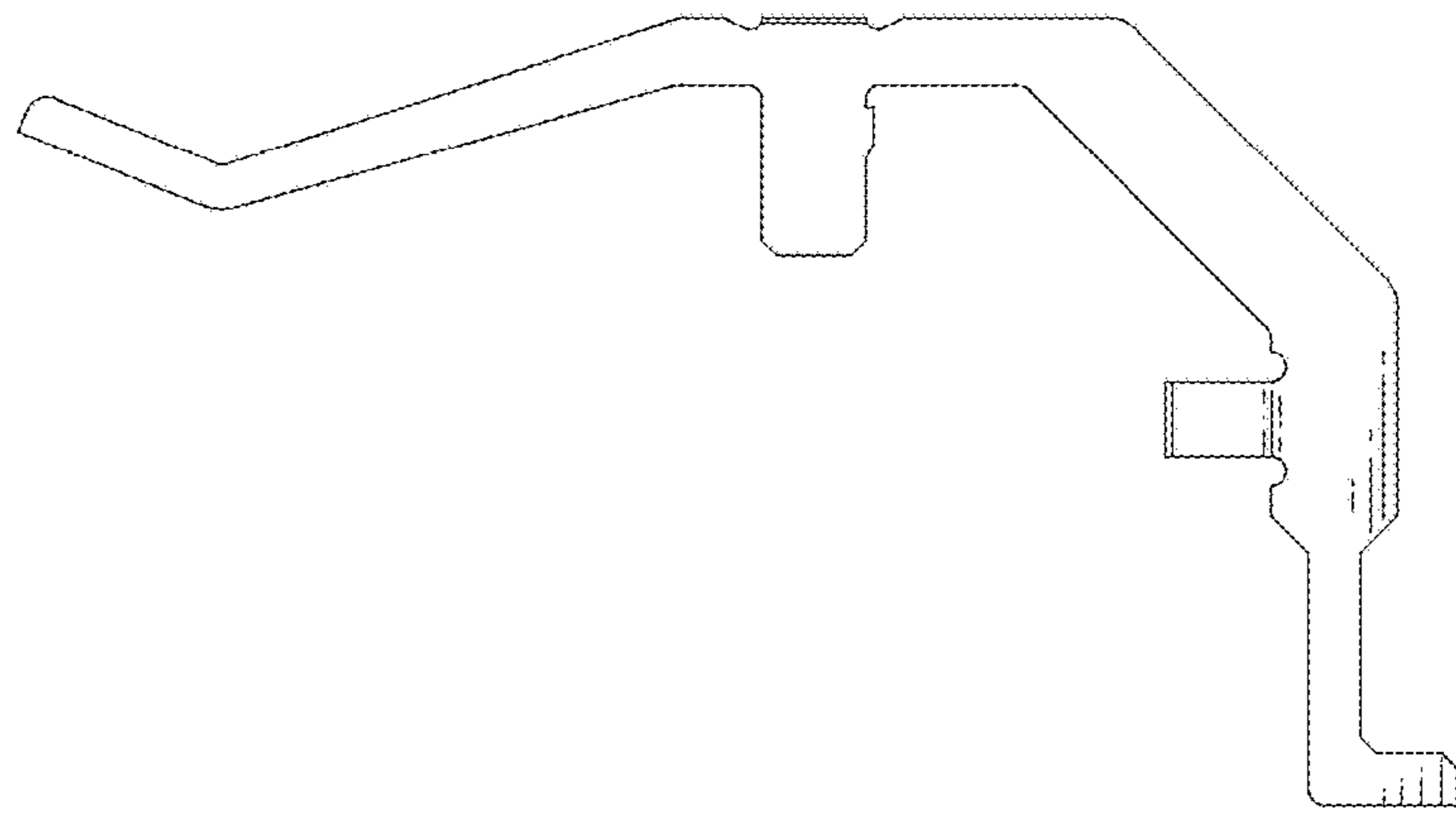


FIG. 5

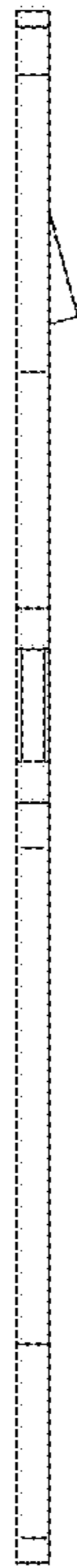


FIG. 6

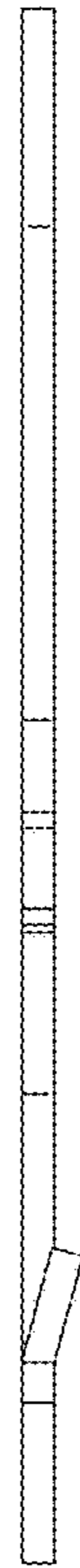


FIG. 7