



US00D852755S

(12) **United States Design Patent**
Wang et al.

(10) **Patent No.:** **US D852,755 S**

(45) **Date of Patent:** **** Jul. 2, 2019**

(54) **CONNECTOR CONTACT**

(71) Applicant: **Cheng Uei Precision Industry Co., Ltd.**, New Taipei (TW)

(72) Inventors: **Han-Wei Wang**, New Taipei (TW);
Sheng-Yuan Huang, New Taipei (TW);
Pei-Yi Lin, New Taipei (TW); **Te-Hung Yin**, New Taipei (TW)

(73) Assignee: **CHENG UEI PRECISION INDUSTRY CO., LTD.**, New Taipei (TW)

(**) Term: **15 Years**

(21) Appl. No.: **29/643,143**

(22) Filed: **Apr. 4, 2018**

(51) **LOC (11) Cl.** **13-03**

(52) **U.S. Cl.**
USPC **D13/154**

(58) **Field of Classification Search**
USPC D13/118, 120, 133, 154, 184, 199
CPC ... H01R 4/16; H01R 4/18; H01R 4/20; H01R 43/02; H01R 43/048; H01R 9/24; H01R 9/048; H01R 13/05; H01R 13/11; H01R 13/245; H01R 13/2464; H01R 13/26; H01R 13/432; H01R 13/506; H01R 13/52; H01R 13/533; H01R 13/627; H01R 13/629

See application file for complete search history.

(56) **References Cited**

U.S. PATENT DOCUMENTS

D275,175 S *	8/1984	Rolli, Jr.	D13/154
D471,876 S *	3/2003	Jaag	D13/154
D478,316 S *	8/2003	Kondas	D13/146
D486,790 S *	2/2004	Kondas	D13/133
D552,559 S *	10/2007	Sanroma	D13/154
D554,589 S *	11/2007	Kondas	D13/133
D618,223 S *	6/2010	Tsai	D14/230
D622,671 S *	8/2010	Wang	D13/120
D657,312 S *	4/2012	Aragon	D13/118
D766,834 S *	9/2016	Endo	D13/154

* cited by examiner

Primary Examiner — Daniel D Bui

(74) *Attorney, Agent, or Firm* — Cheng-Ju Chiang

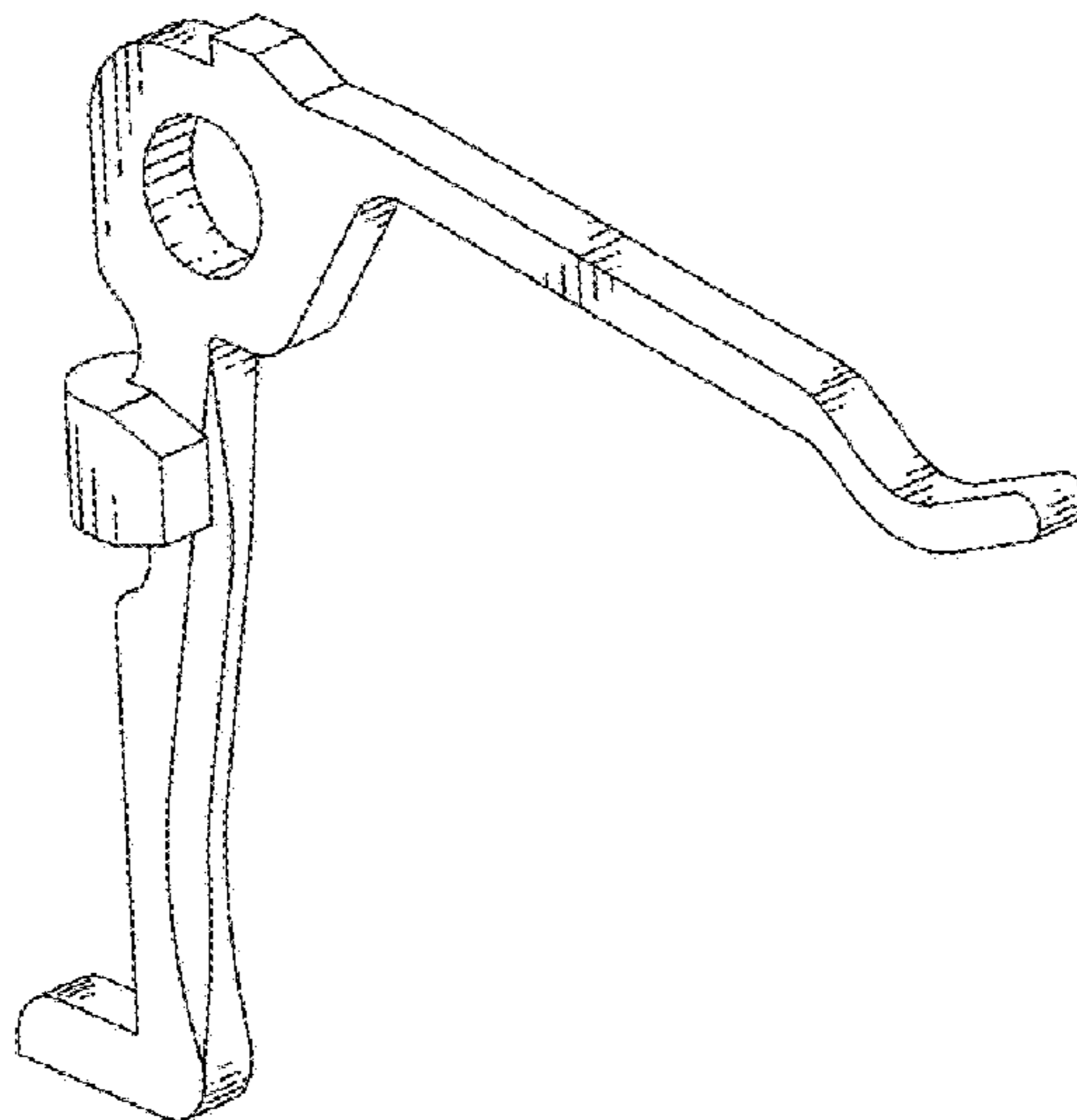
(57) **CLAIM**

The ornamental design for a connector contact, as shown and described.

DESCRIPTION

FIG. 1 is a perspective view of a connector contact showing our new design;
FIG. 2 is a front elevational view thereof;
FIG. 3 is a rear elevational view thereof;
FIG. 4 is a left side elevational view thereof;
FIG. 5 is a right side elevational view thereof;
FIG. 6 is a top plan view thereof; and,
FIG. 7 is a bottom plan view thereof.

1 Claim, 7 Drawing Sheets



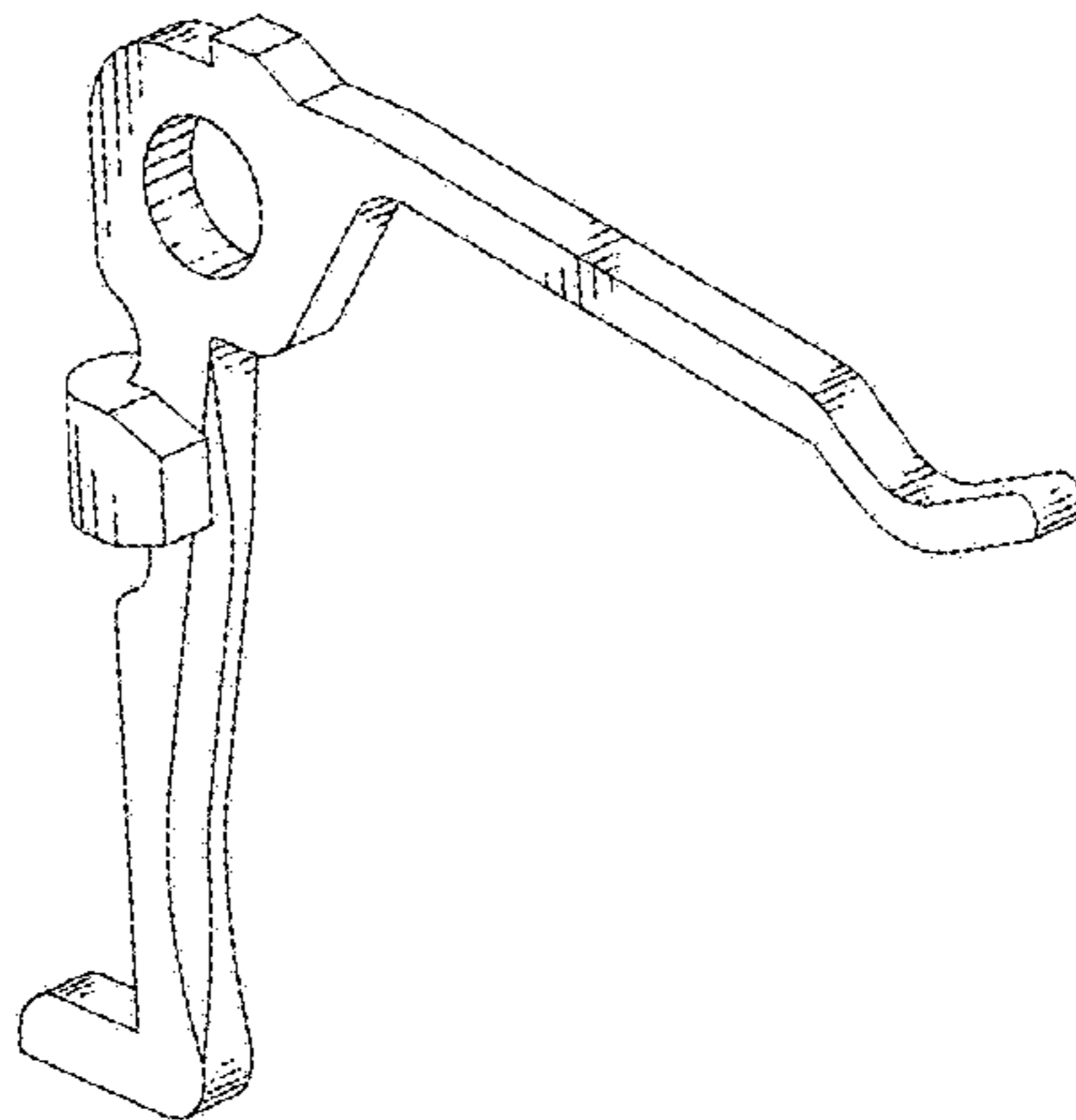


FIG. 1

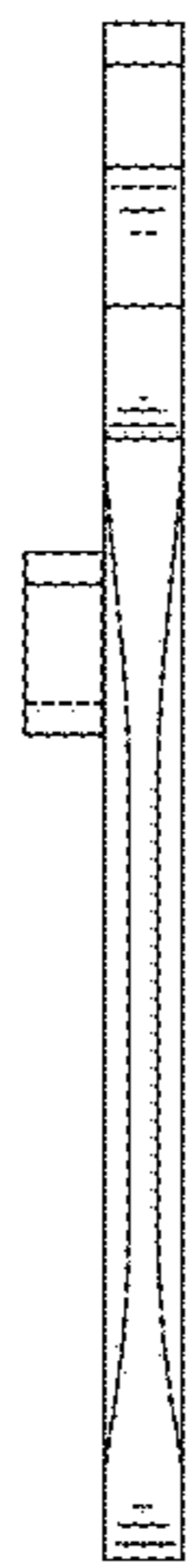


FIG. 2

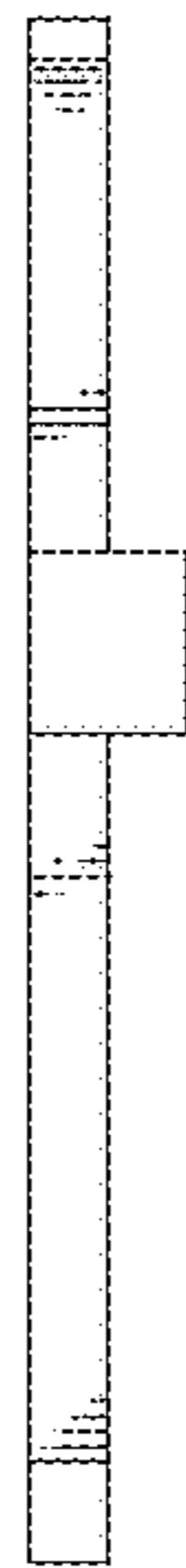


FIG. 3

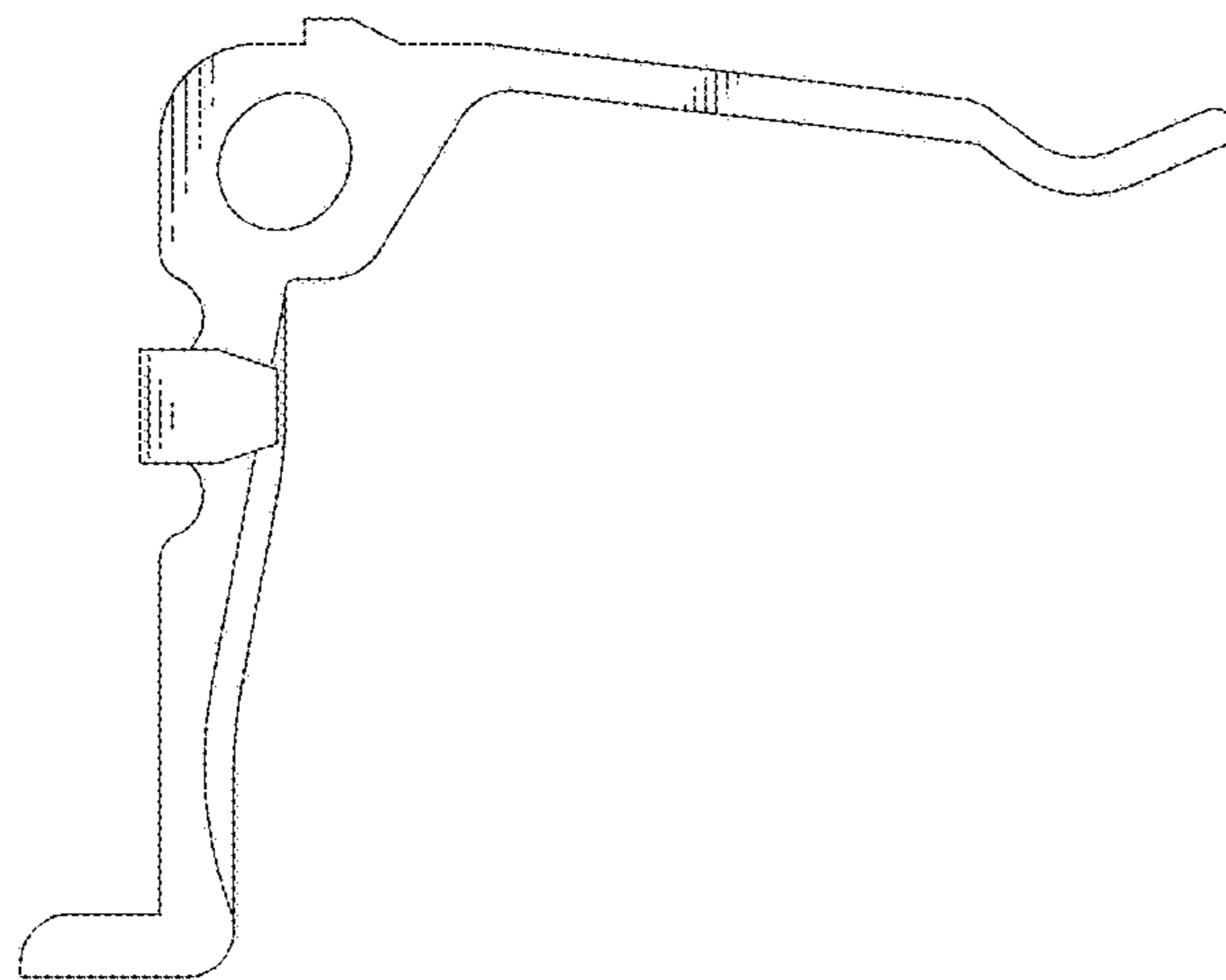


FIG. 4

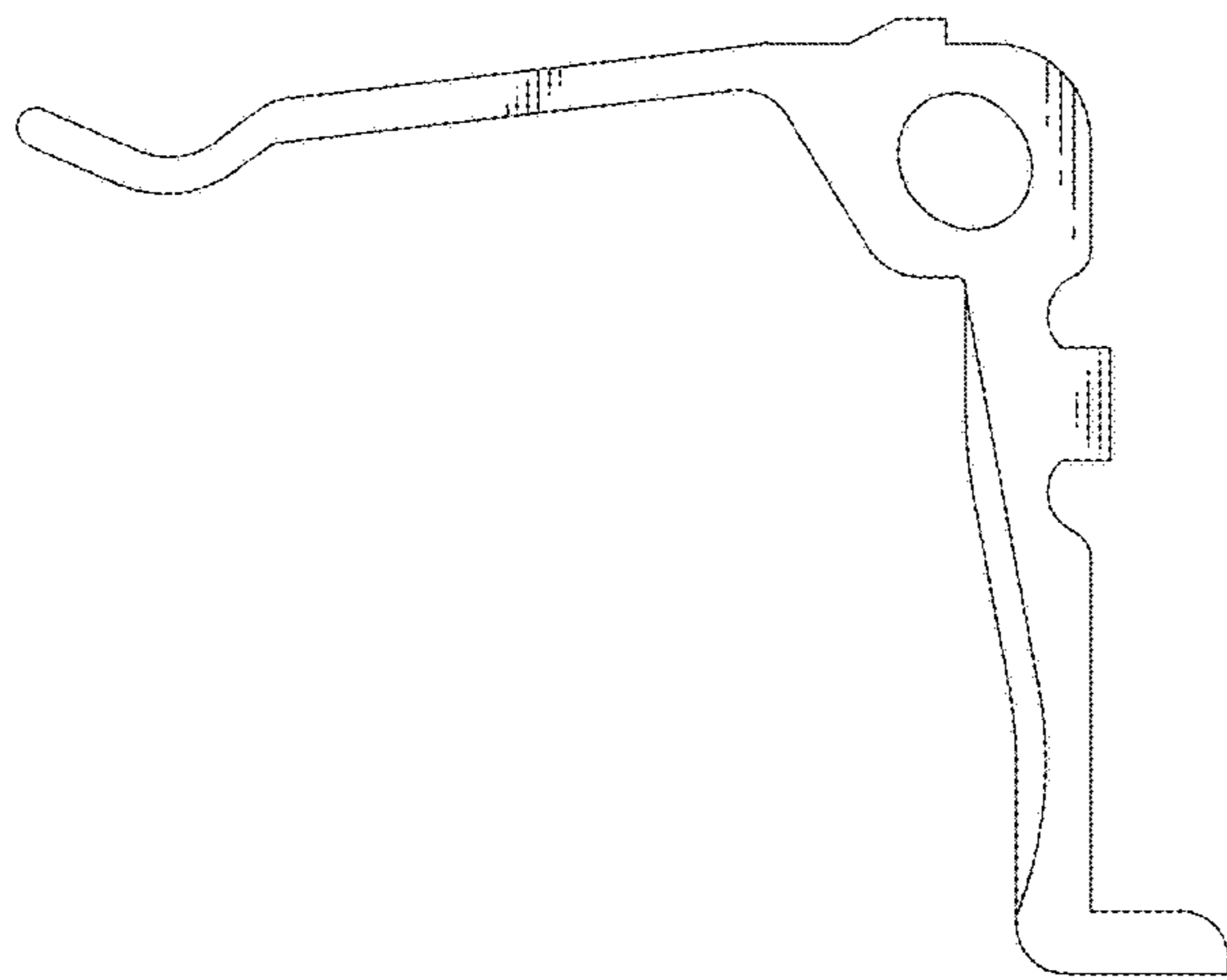


FIG. 5

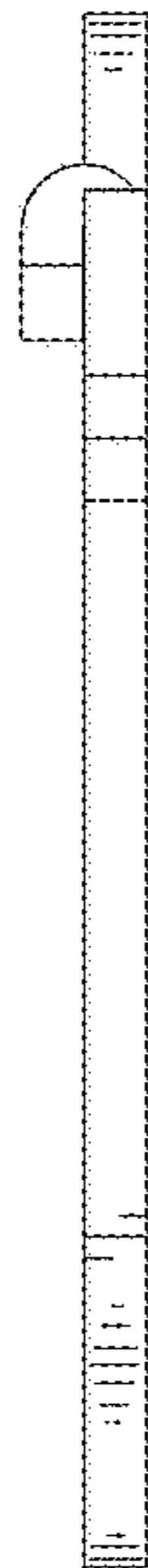


FIG. 6

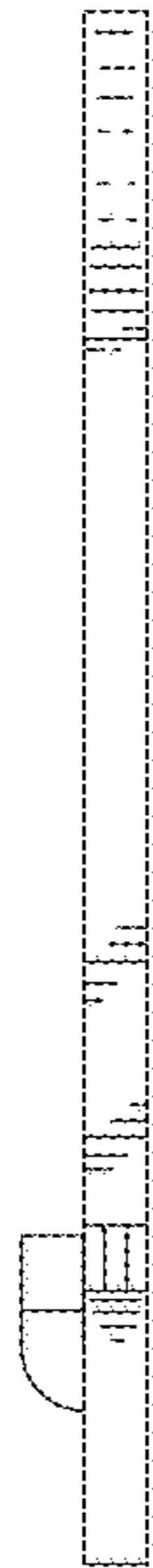


FIG. 7