



US00D852753S

(12) **United States Design Patent**
Endo et al.

(10) **Patent No.: US D852,753 S**
(45) **Date of Patent: ** Jul. 2, 2019**

(54) **ELECTRICAL CONNECTOR HOUSING**

(71) Applicant: **Dai-ichi Seiko Co., Ltd.**, Kyoto-shi,
Kyoto (JP)

(72) Inventors: **Takayoshi Endo**, Shizuoka (JP); **Koji Hanaki**, Shizuoka (JP)

(73) Assignee: **Dai-Ichi Seiko Co., Ltd.**, Kyoto (JP)

(**) Term: **15 Years**

(21) Appl. No.: **29/621,682**

(22) Filed: **Oct. 10, 2017**

(30) **Foreign Application Priority Data**

Jul. 7, 2017 (JP) 2017-014717

(51) **LOC (11) Cl.** **13-03**

(52) **U.S. Cl.**
USPC **D13/147**

(58) **Field of Classification Search**

USPC D13/133, 146, 147, 154, 184, 199
CPC .. H01R 13/639; H01R 13/641; H01R 13/627;
H01R 13/518; H01R 13/514; H01R
13/506; H01R 13/436; H01R 43/26

See application file for complete search history.

(56) **References Cited**

U.S. PATENT DOCUMENTS

| | | | | |
|----------------|---------|------------|-------|------------------------|
| D523,399 S * | 6/2006 | Sakamaki | | D13/147 |
| D605,133 S * | 12/2009 | Tanaka | | D13/147 |
| D639,746 S * | 6/2011 | Lee | | D13/147 |
| 8,920,186 B2 * | 12/2014 | Shishikura | | H01R 13/436 439/352 |
| D748,588 S * | 2/2016 | Endo | | D13/147 |
| D751,990 S * | 3/2016 | Ikeda | | D13/147 |
| 9,331,419 B2 * | 5/2016 | Yagi | | H01R 13/4361 |

| | | | | |
|-------------------|--------|---------|-------|-------------------------|
| 9,368,909 B2 * | 6/2016 | Yagi | | H01R 13/6272 |
| 2002/0037661 A1 * | 3/2002 | Endo | | H01R 13/6272 439/352 |
| 2008/0050961 A1 * | 2/2008 | Johnson | | H01R 13/6275 439/352 |

FOREIGN PATENT DOCUMENTS

| | | |
|----|-----------|--------|
| JP | 1323036 S | 2/2008 |
| JP | 1495970 S | 4/2014 |
| JP | 1521654 S | 4/2015 |

* cited by examiner

Primary Examiner — Daniel D Bui

(74) *Attorney, Agent, or Firm* — K & L Gates LLP; Louis C. Cullman; Georgia N. Kefallinos

(57) **CLAIM**

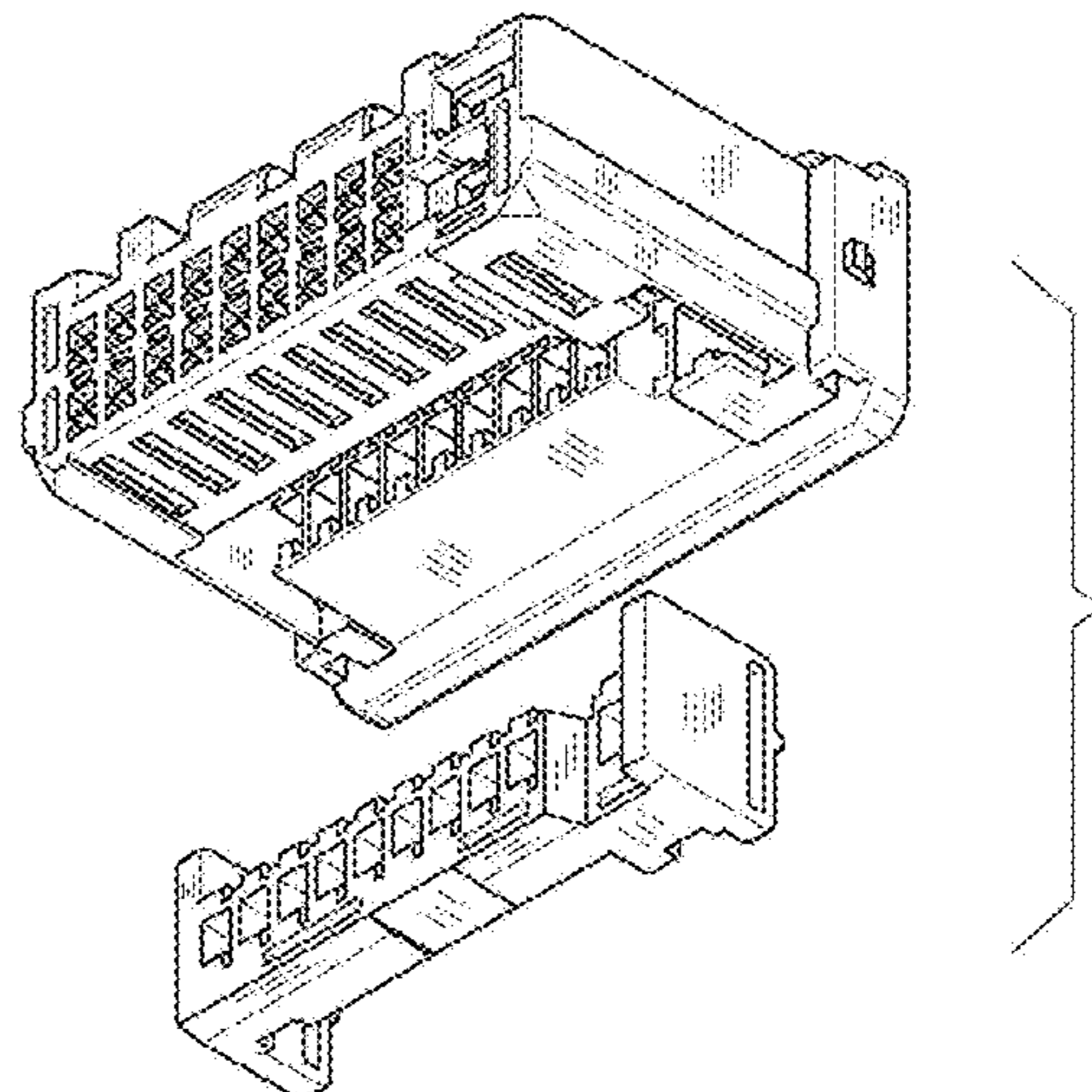
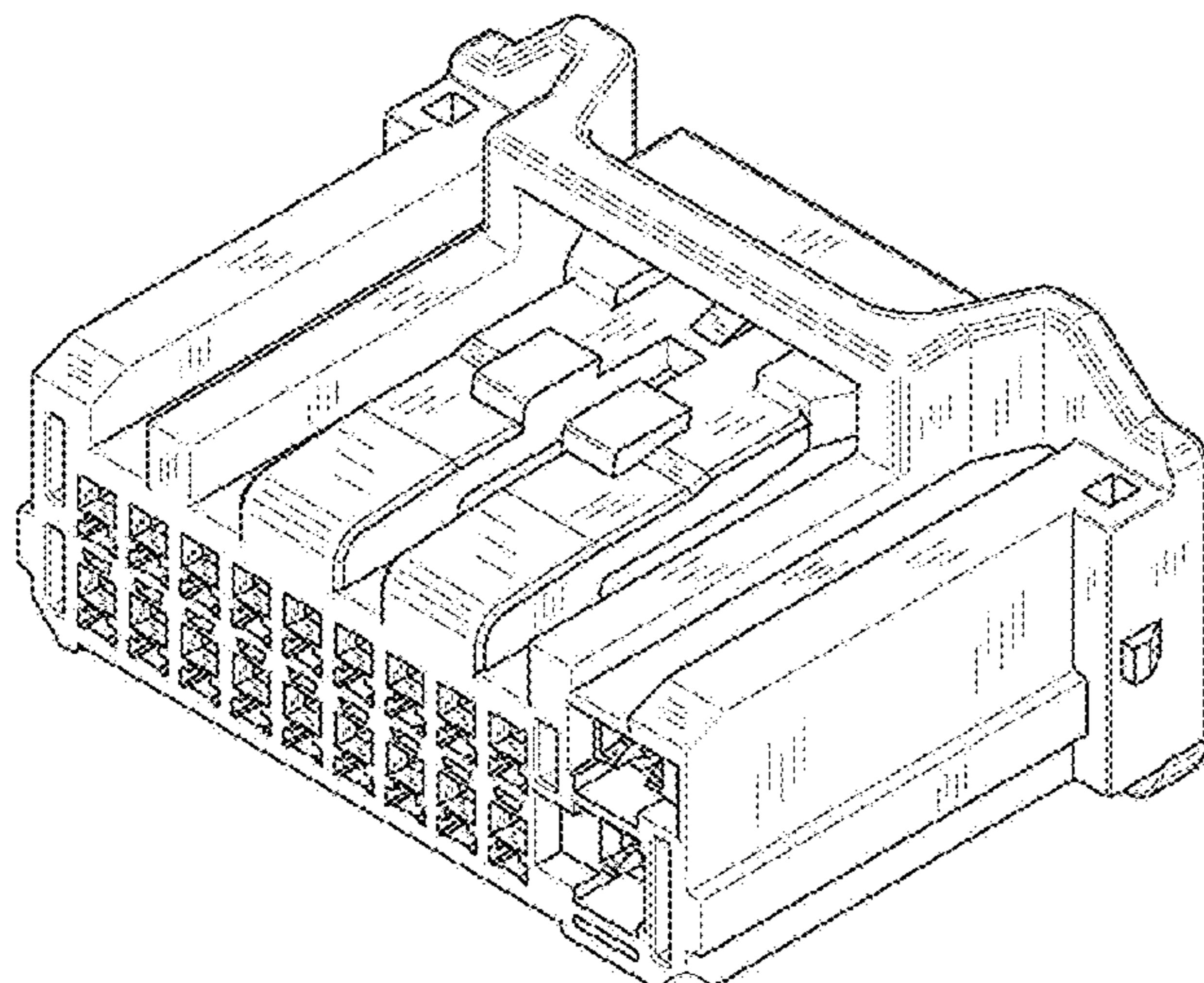
The ornamental design for an electrical connector housing, as shown and described.

DESCRIPTION

FIG. 1 is a front elevation view of an electrical connector housing showing our new design; FIG. 2 is a back elevation view thereof; FIG. 3 is a first side elevation view thereof; FIG. 4 is a second side elevation view thereof; FIG. 5 is a top plan view thereof; FIG. 6 is a bottom plan view thereof; FIG. 7 is a top and front perspective view thereof; FIG. 8 is a top and back perspective view thereof; FIG. 9 is a bottom and front perspective view thereof; and, FIG. 10 is a bottom and front perspective view thereof, on a smaller scale and in an exploded condition.

In the drawing views, the even-broken line represents unclaimed environment only and forms no part of the claimed design.

1 Claim, 10 Drawing Sheets



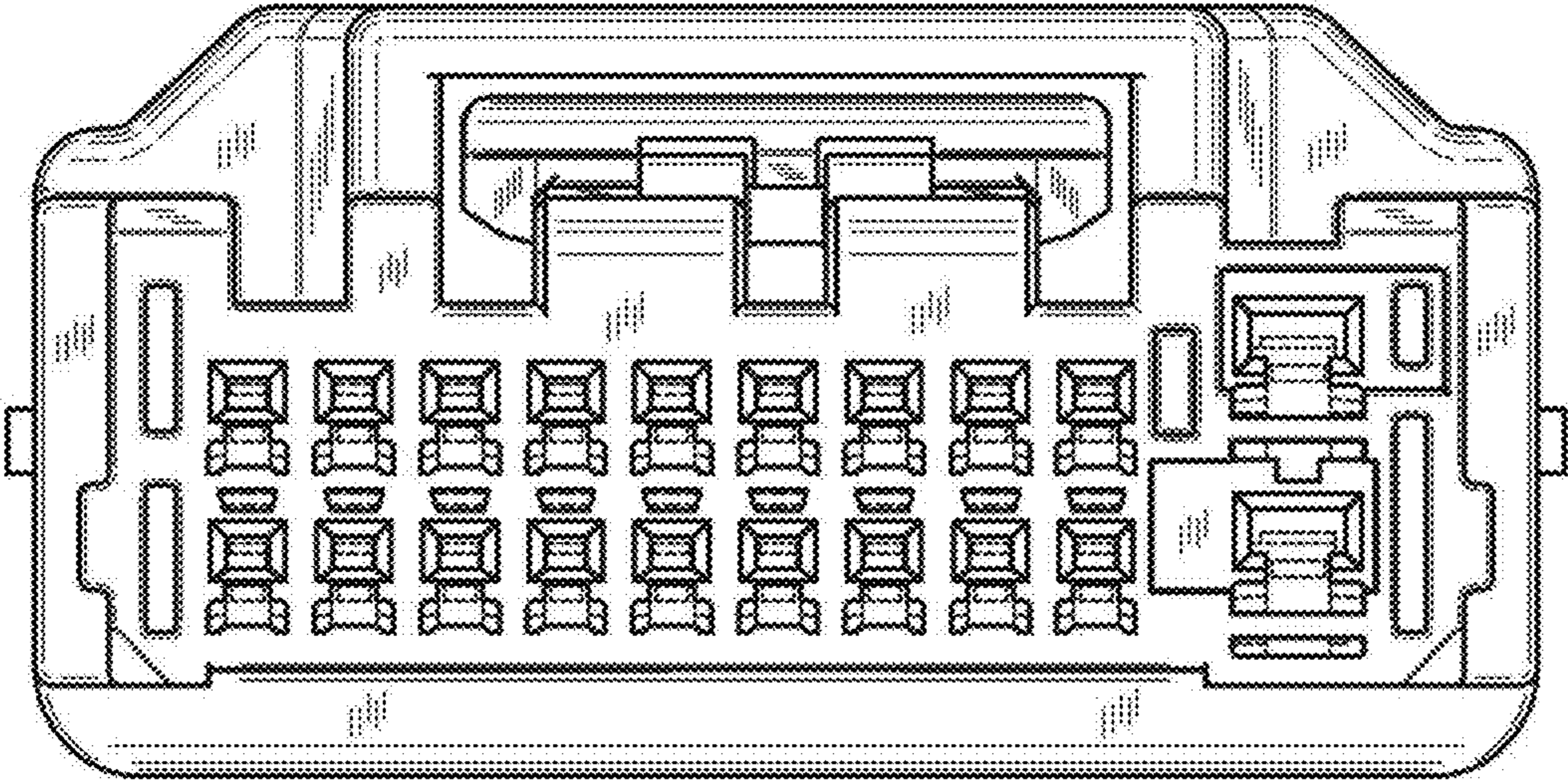


FIG. 1

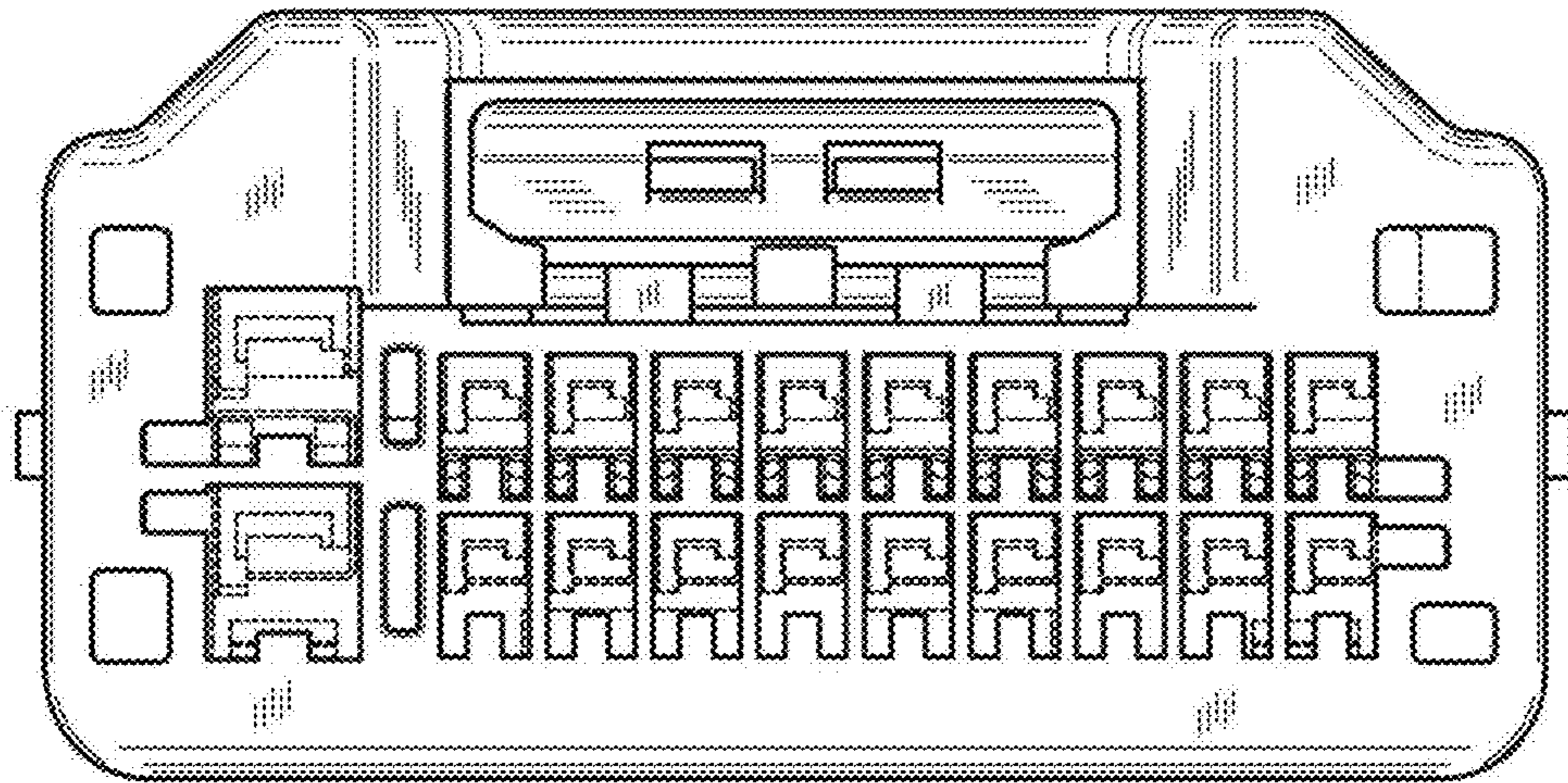


FIG. 2

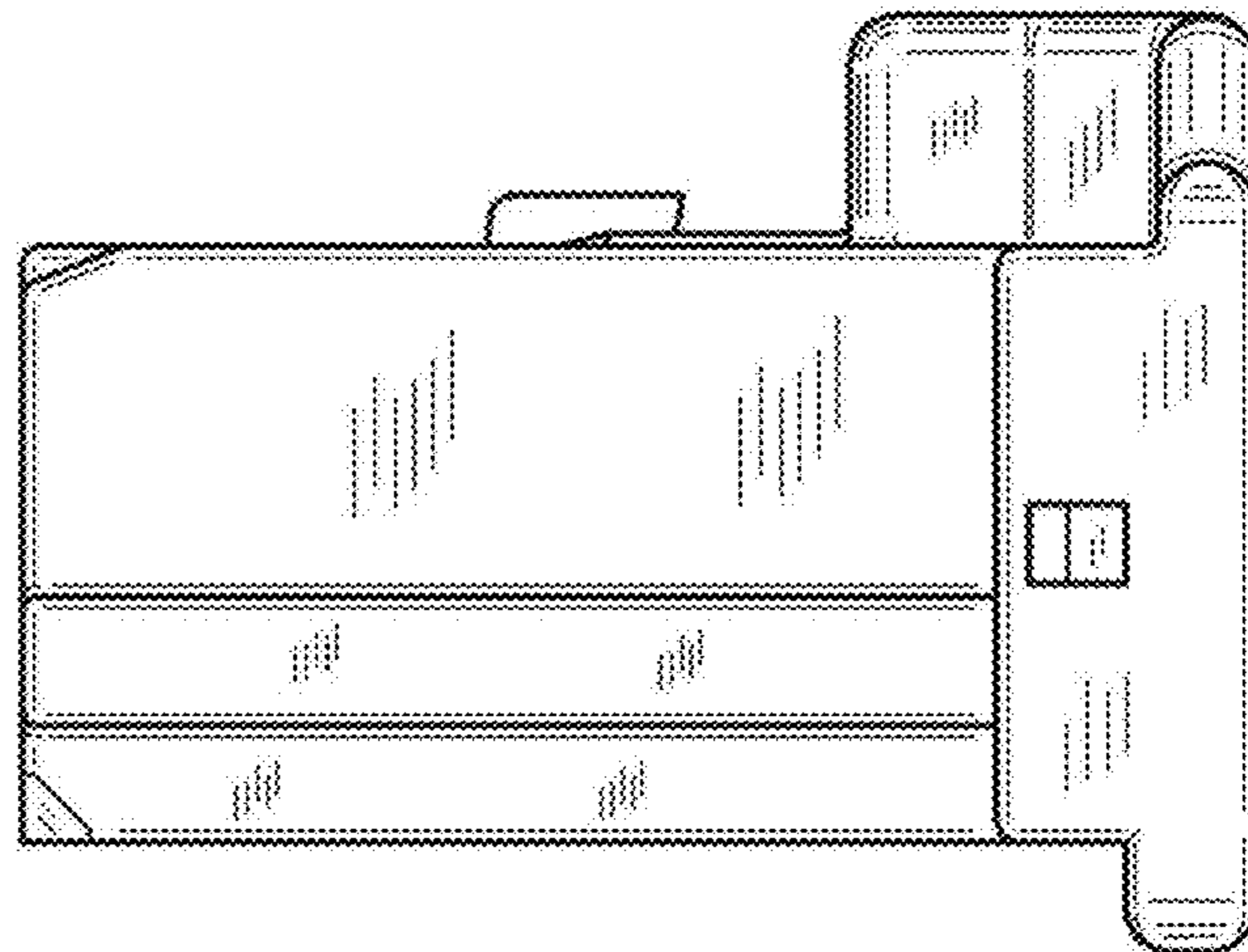


FIG. 3

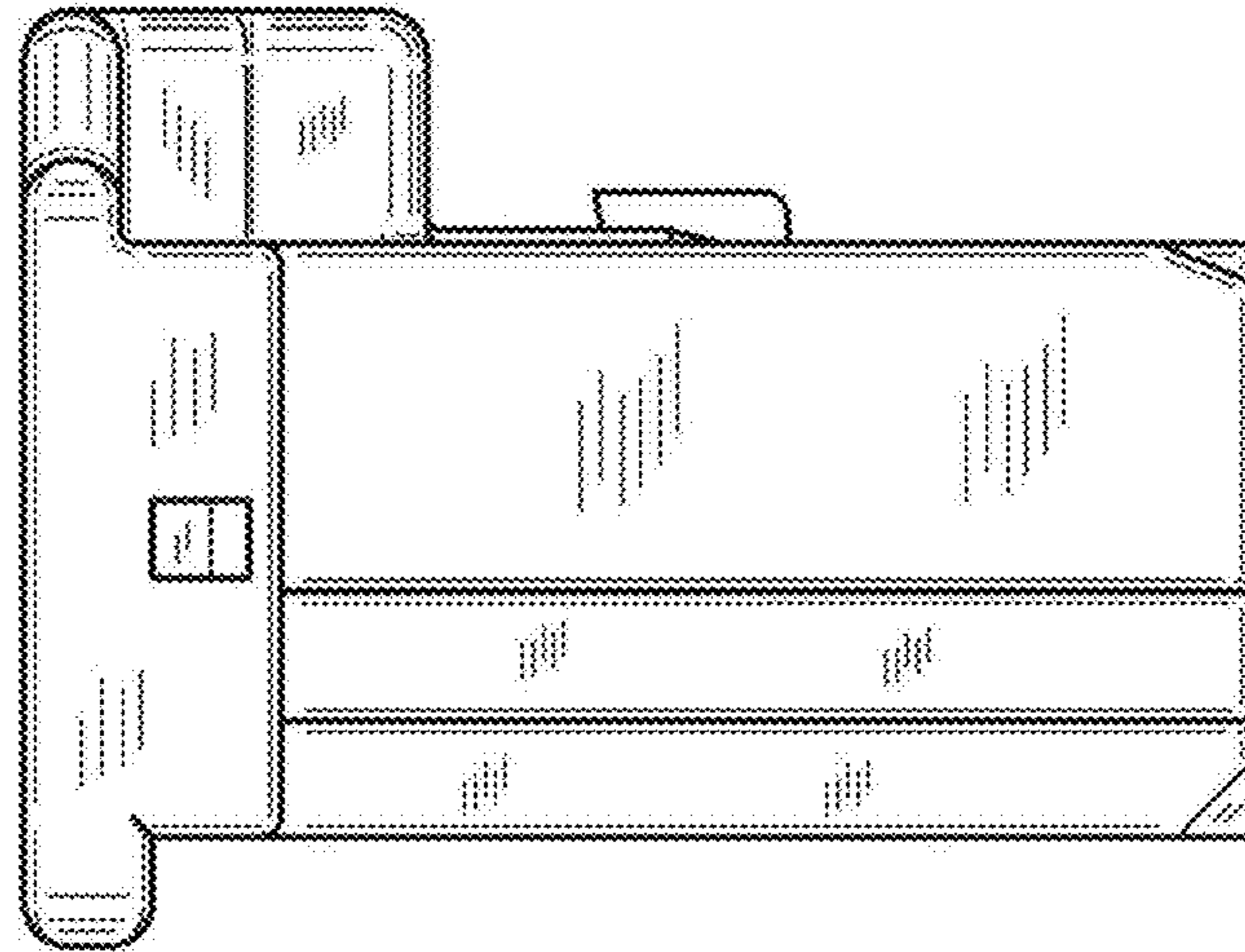


FIG. 4

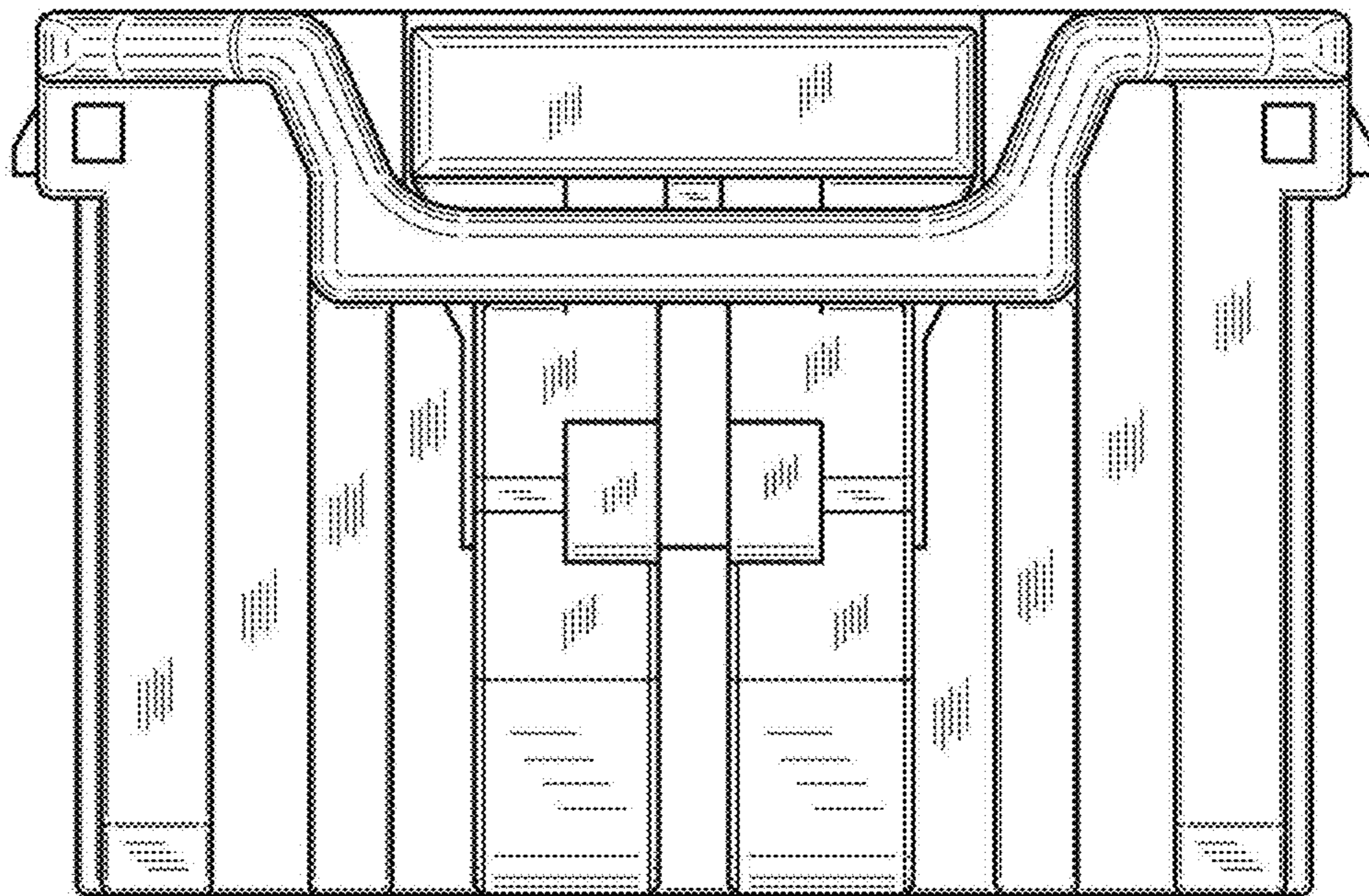


FIG. 5

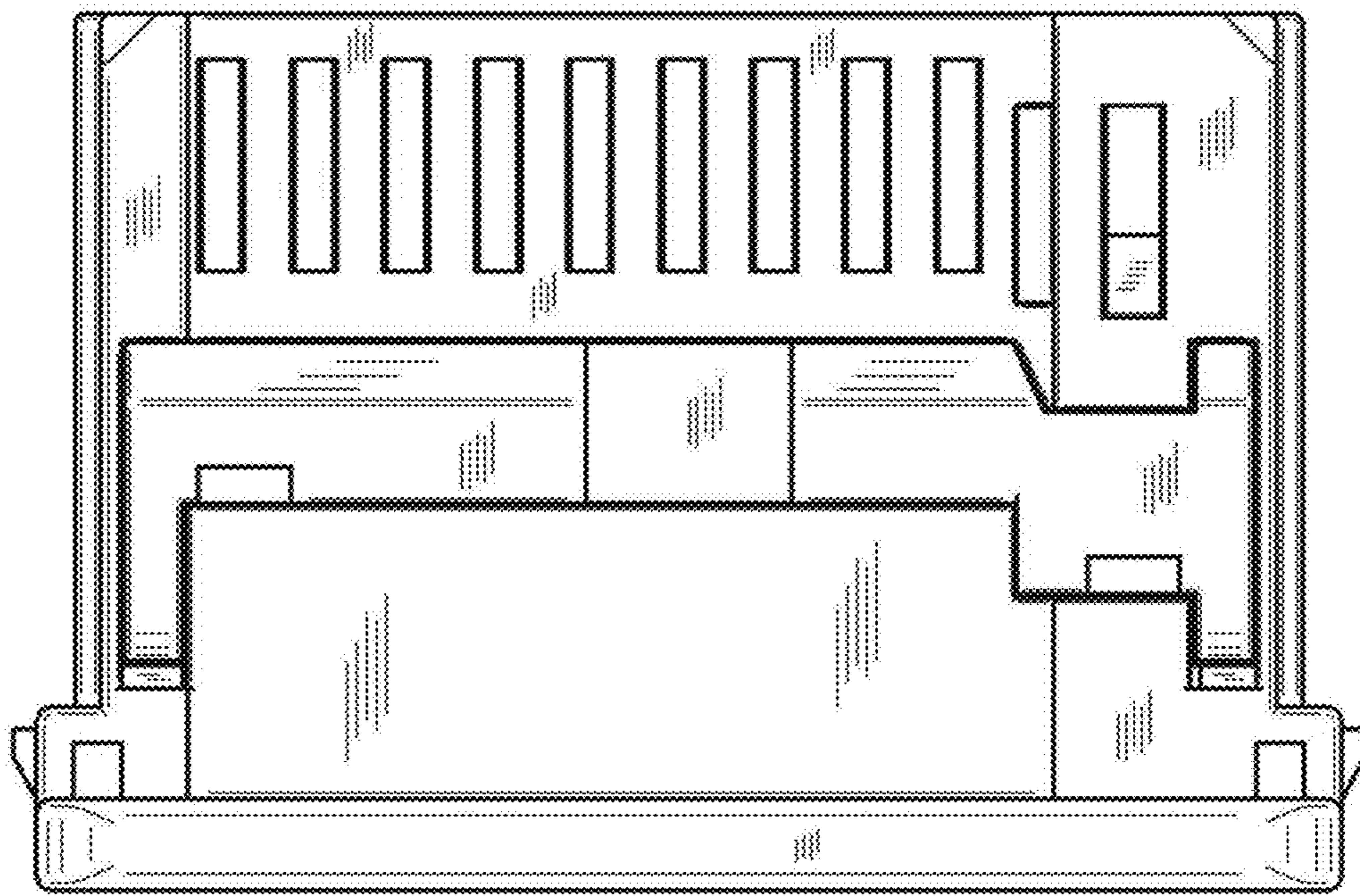


FIG. 6

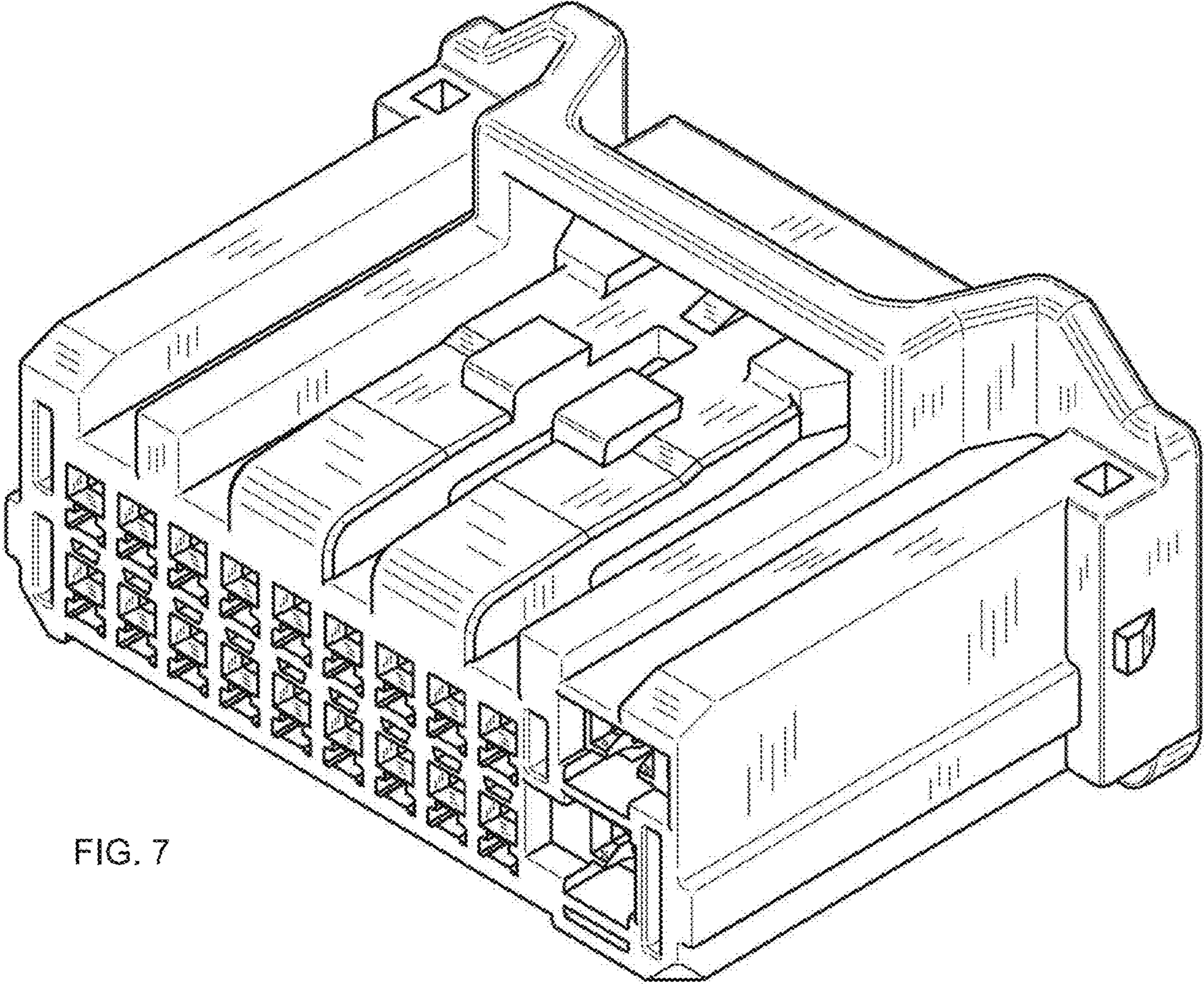


FIG. 7

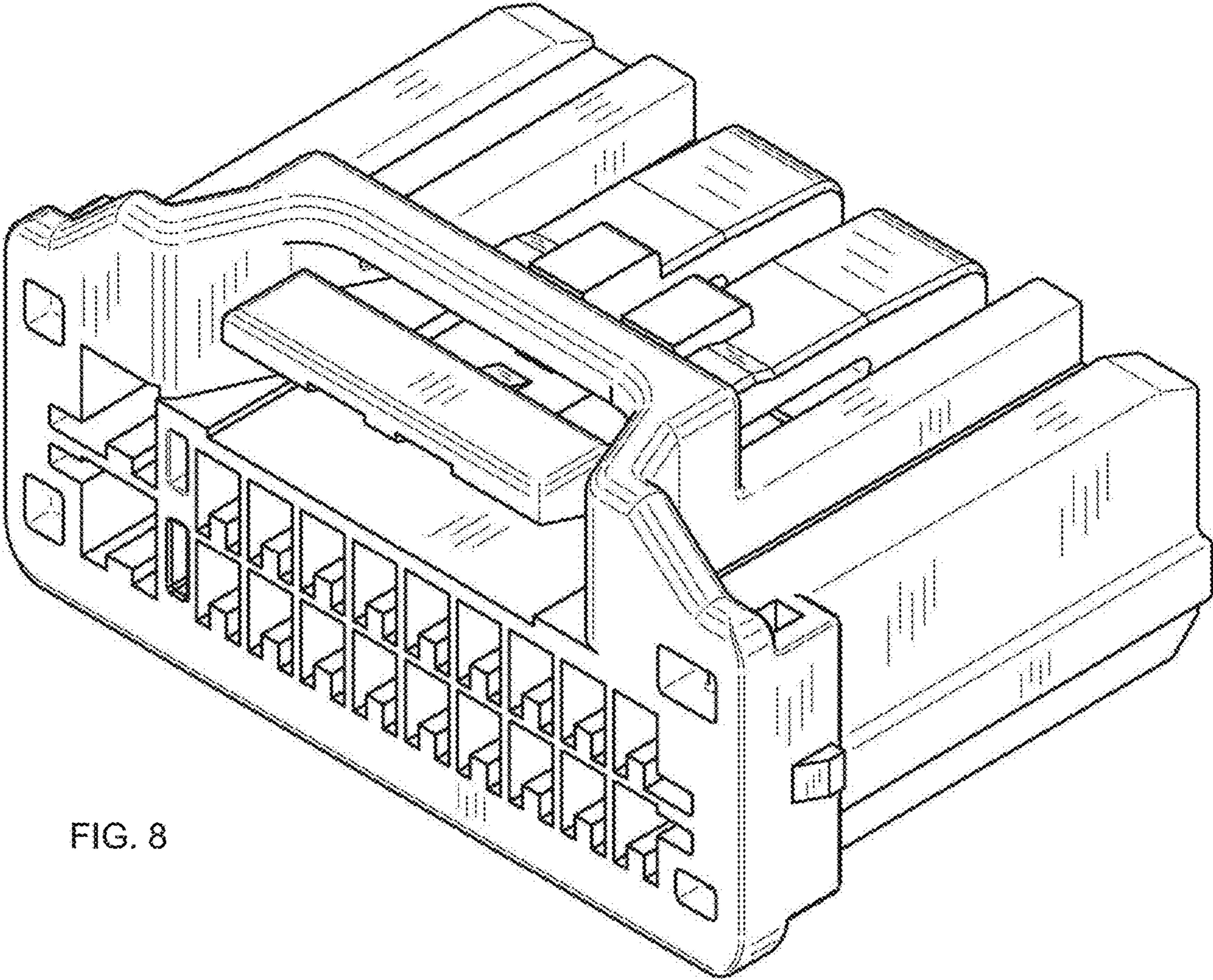


FIG. 8

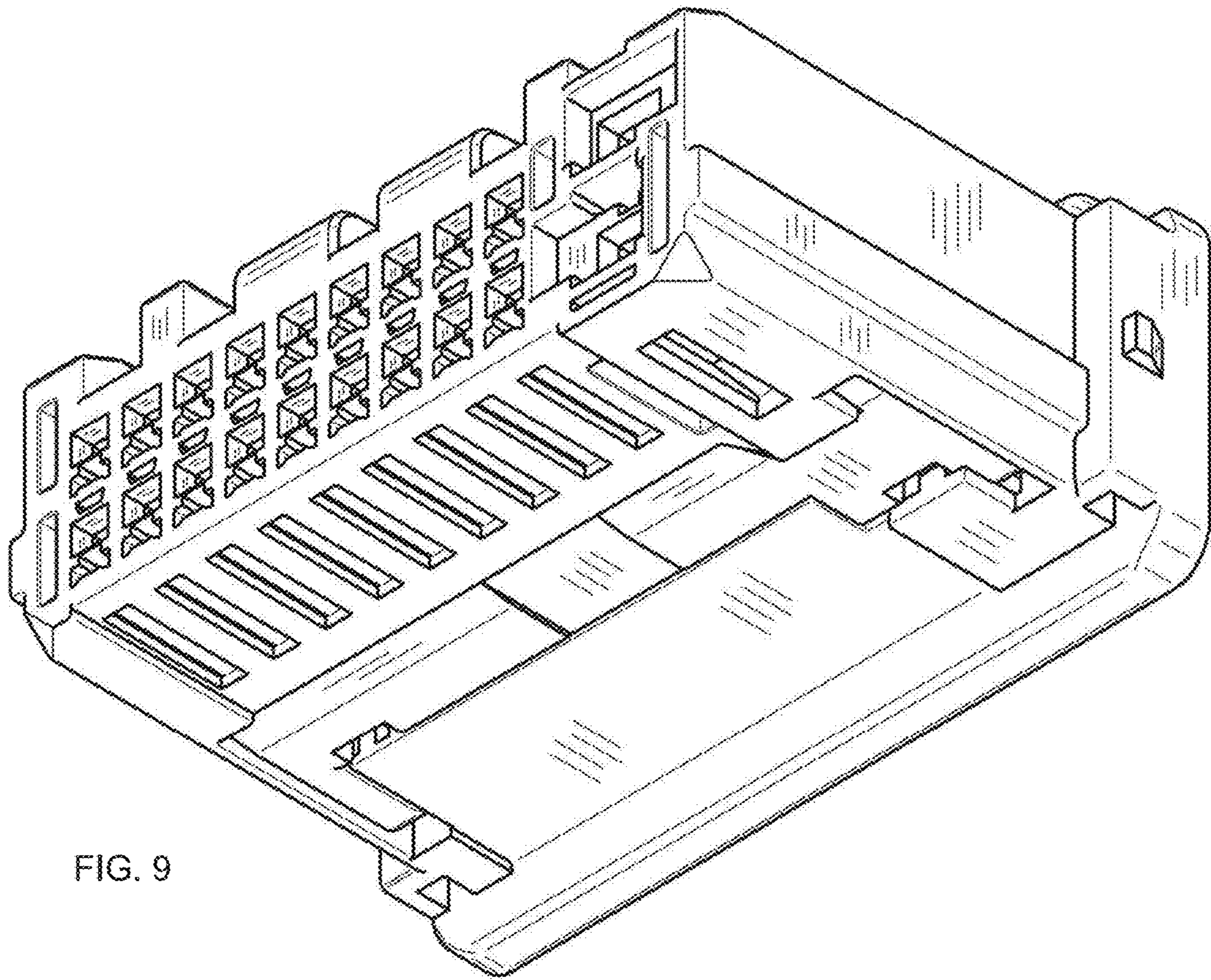


FIG. 9

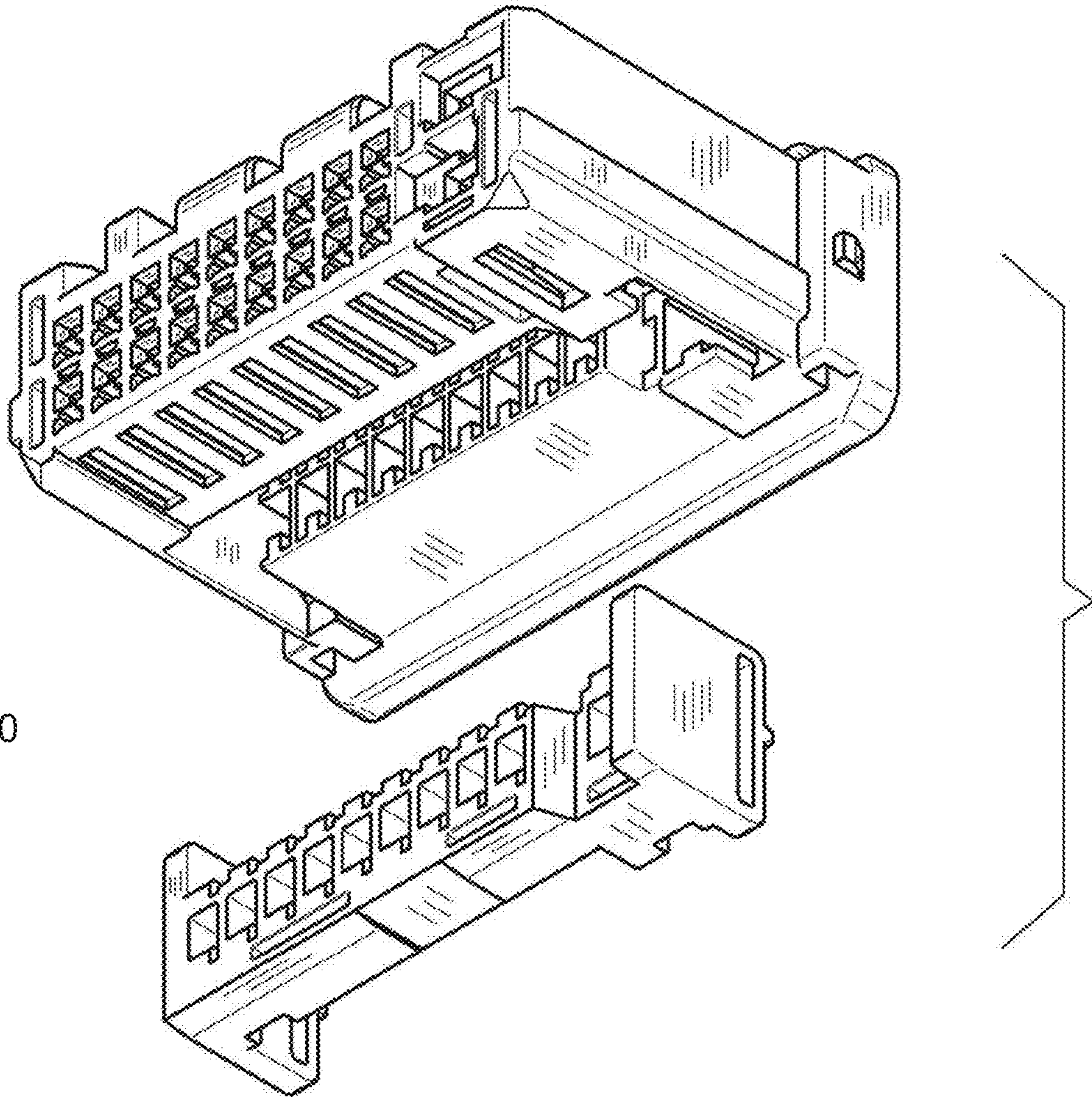


FIG. 10