



US00D852751S

(12) **United States Design Patent**
Uchida

(10) **Patent No.:** **US D852,751 S**
(45) **Date of Patent:** **** Jul. 2, 2019**

(54) **ELECTRICAL CONNECTOR**

(71) Applicant: **Dai-ichi Seiko Co., Ltd.**, Kyoto-shi,
Kyoto (JP)

(72) Inventor: **Tomoyuki Uchida**, Machida (JP)

(73) Assignee: **Dai-ichi Seiko Co., Ltd.**, Kyoto (JP)

(**) Term: **15 Years**

(21) Appl. No.: **29/605,571**

(22) Filed: **May 26, 2017**

(30) **Foreign Application Priority Data**

Nov. 30, 2016 (JP) 2016-026077

(51) **LOC (11) Cl.** **13-03**

(52) **U.S. Cl.**
USPC **D13/147**

(58) **Field of Classification Search**

USPC D13/118, 120, 123, 133, 146, 147, 149,
D13/154, 173, 184, 199; D14/432, 433,
D14/435, 435.1, 436, 437, 438

CPC H01R 12/00; H01R 12/50; H01R 12/52;
H01R 12/57; H01R 12/62; H01R 12/65;
H01R 12/70; H01R 12/71; H01R 12/73;
H01R 13/02; H01R 13/04; H01R 13/52;
H01R 13/62; H01R 13/627; H01R 13/65;
H01R 24/00; H01R 13/44; H01R 13/629;
H01R 13/648; H01R 24/28

See application file for complete search history.

(56) **References Cited**

U.S. PATENT DOCUMENTS

5,547,385 A * 8/1996 Spangler H01R 13/6485
439/101
D455,127 S * 4/2002 Wu D13/147
6,478,603 B1 * 11/2002 Wu H01R 12/7005
439/378
D597,952 S * 8/2009 Kikuchi D13/147

D654,029 S * 2/2012 Ozeki D13/147
D697,483 S * 1/2014 Ikari D13/147
D701,170 S * 3/2014 Sasaki D13/147
D704,143 S * 5/2014 Yoshisuji D13/147
D727,851 S * 4/2015 Yokoo D13/147
D733,659 S * 7/2015 Zhu D13/147

(Continued)

FOREIGN PATENT DOCUMENTS

JP 1386093 S 4/2010
JP 2010-157367 A 7/2010

Primary Examiner — Angela J Lee

Assistant Examiner — Shawn T Gingrich

(74) *Attorney, Agent, or Firm* — K&L Gates LLP; Louis
C. Cullman; Georgia N. Kefallinos

(57) **CLAIM**

I claim the ornamental design for an electrical connector, as
shown and described.

DESCRIPTION

FIG. 1 is a front view of an electrical connector of my
design.

FIG. 2 is a back view of the electrical connector of FIG. 1.
FIG. 3 is a first side view of the electrical connector of FIG.
1.

FIG. 4 is a second side view of the electrical connector of
FIG. 1.

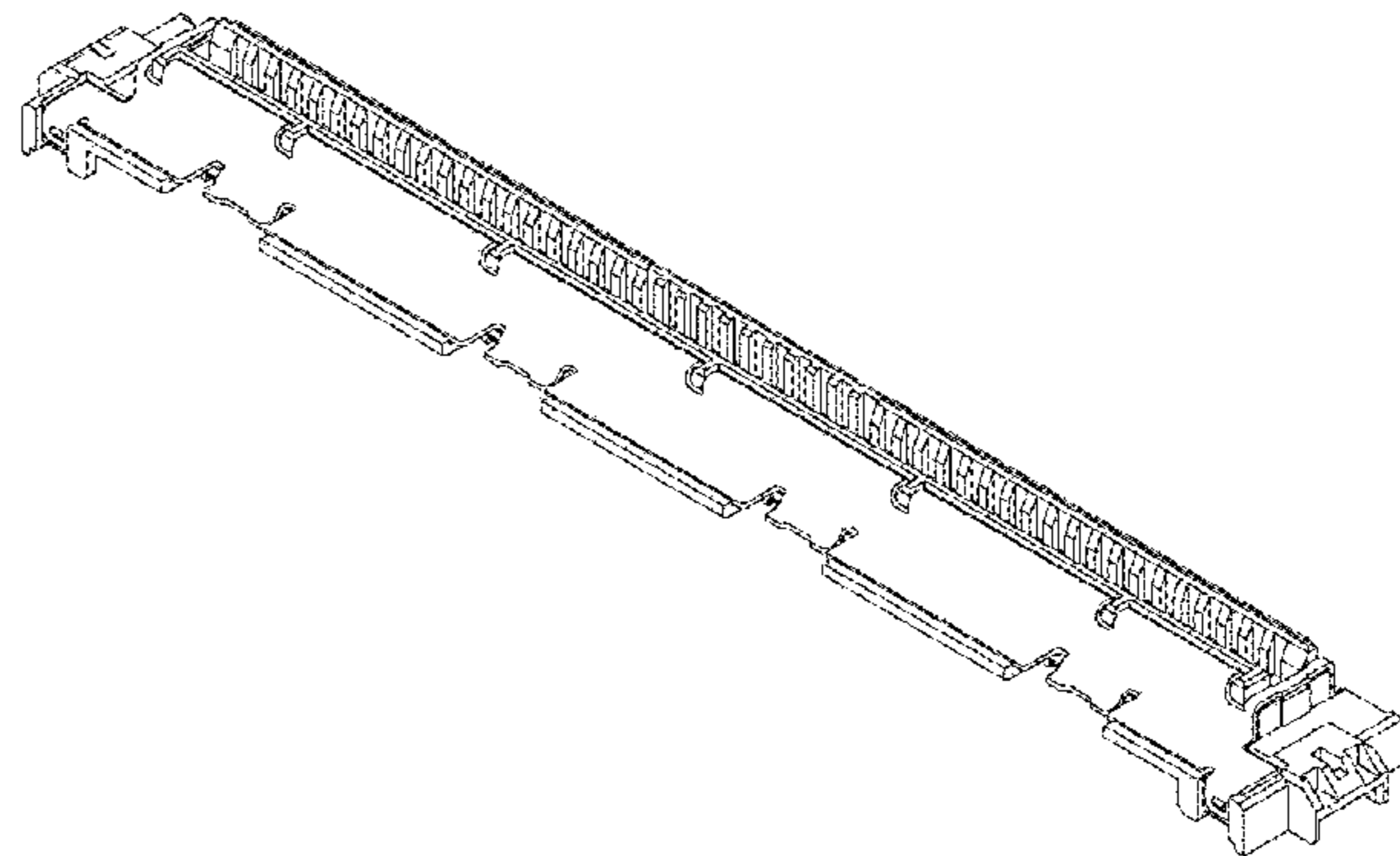
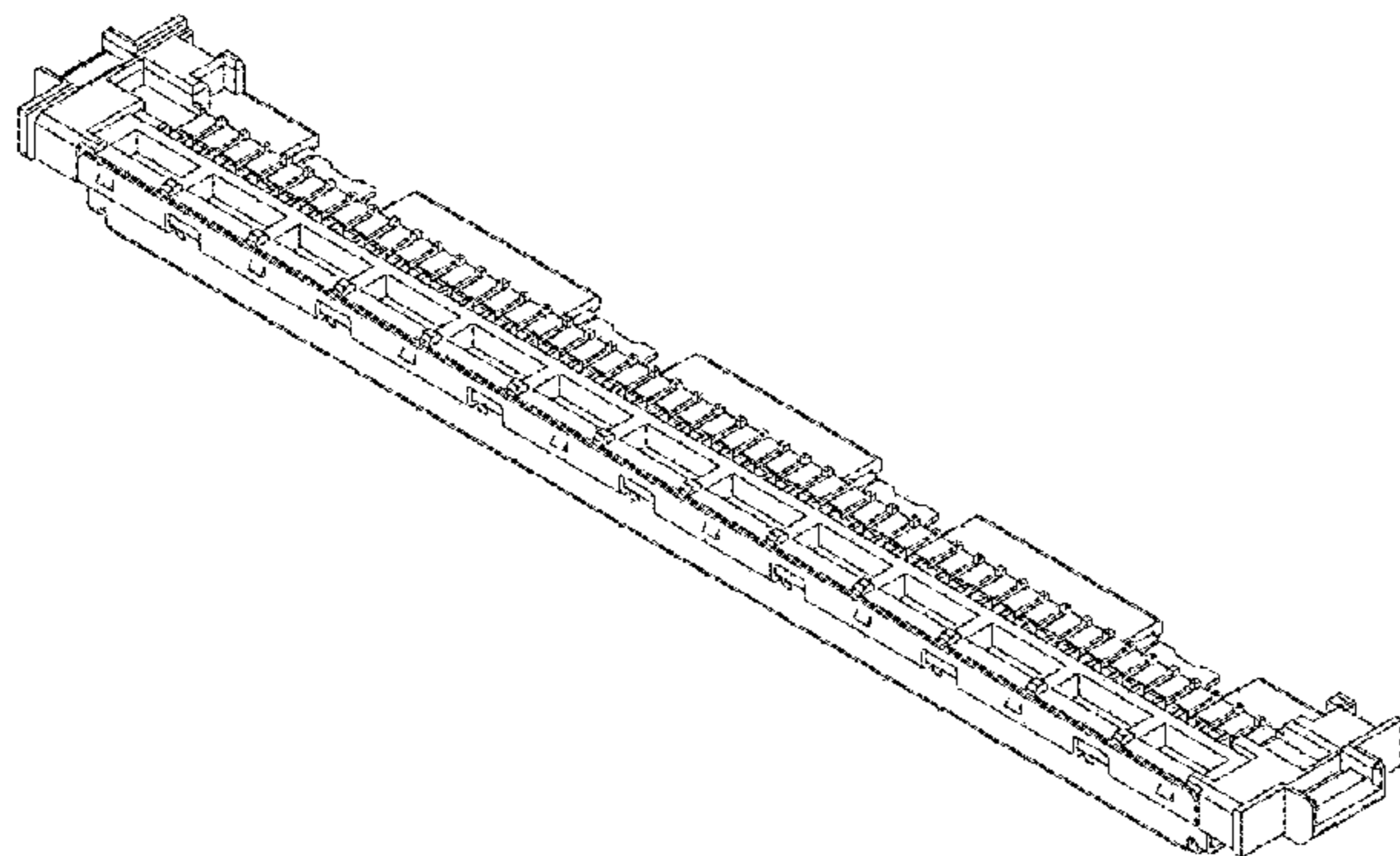
FIG. 5 is a top view of the electrical connector of FIG. 1.
FIG. 6 is a bottom view of the electrical connector of FIG.
1.

FIG. 7 is a top perspective view of the electrical connector
of FIG. 1; and,

FIG. 8 is a bottom perspective view of the electrical con-
nector of FIG. 1.

The broken lines in the drawings illustrate portions of the
electrical connector that form no part of the claimed design.

1 Claim, 8 Drawing Sheets



(56)

References Cited

U.S. PATENT DOCUMENTS

2011/0086541 A1* 4/2011 Hashimoto H01R 12/79
439/492
2016/0308308 A1* 10/2016 Masunaga H01R 12/7005
2017/0331211 A1* 11/2017 Nakajima H01R 12/88

* cited by examiner

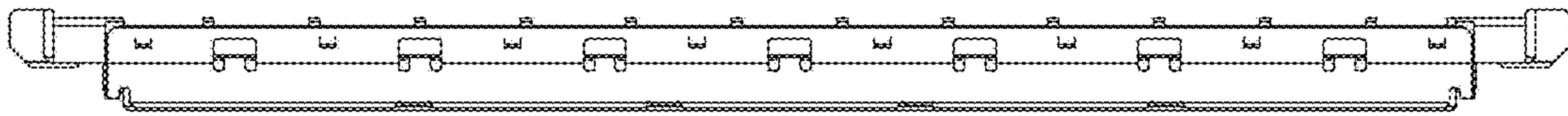


FIG. 1



FIG. 2

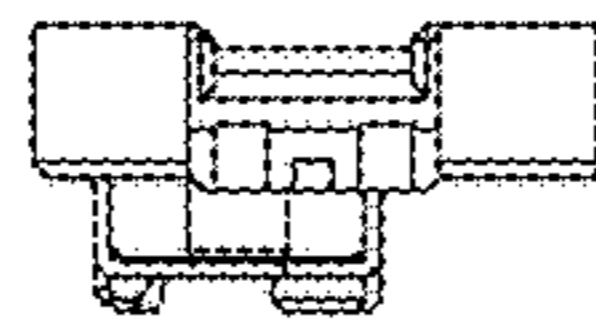


FIG. 3

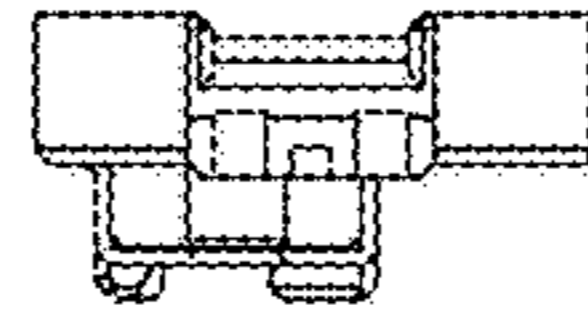


FIG. 4

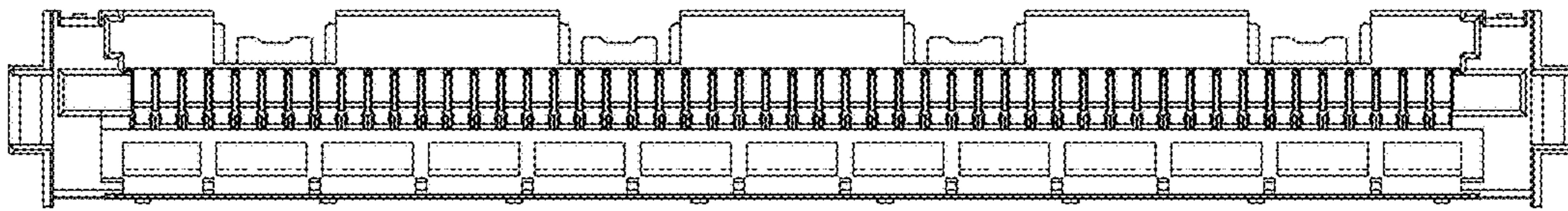


FIG. 5

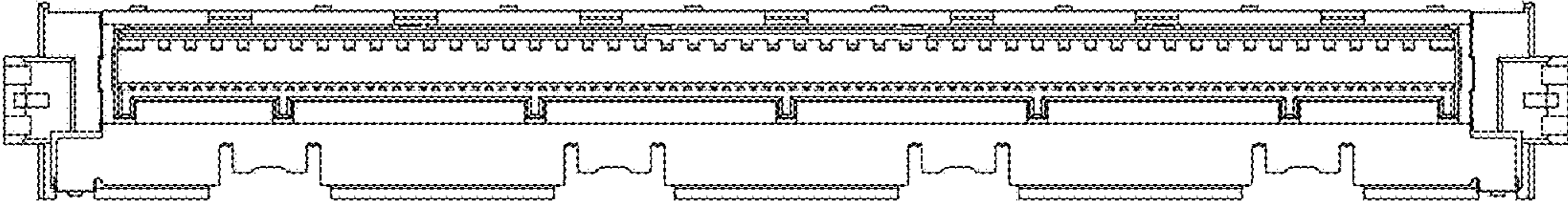


FIG. 6

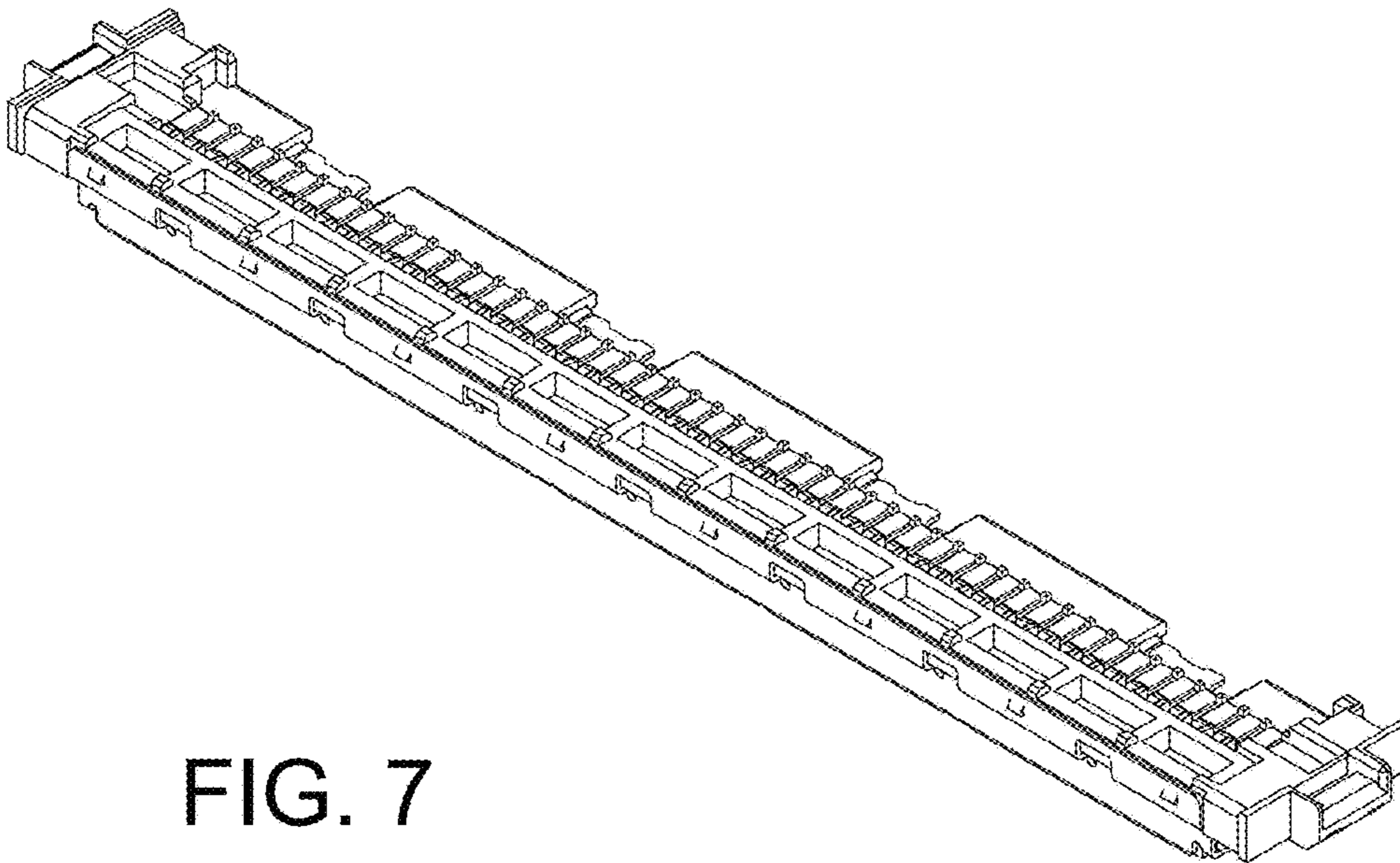


FIG. 7

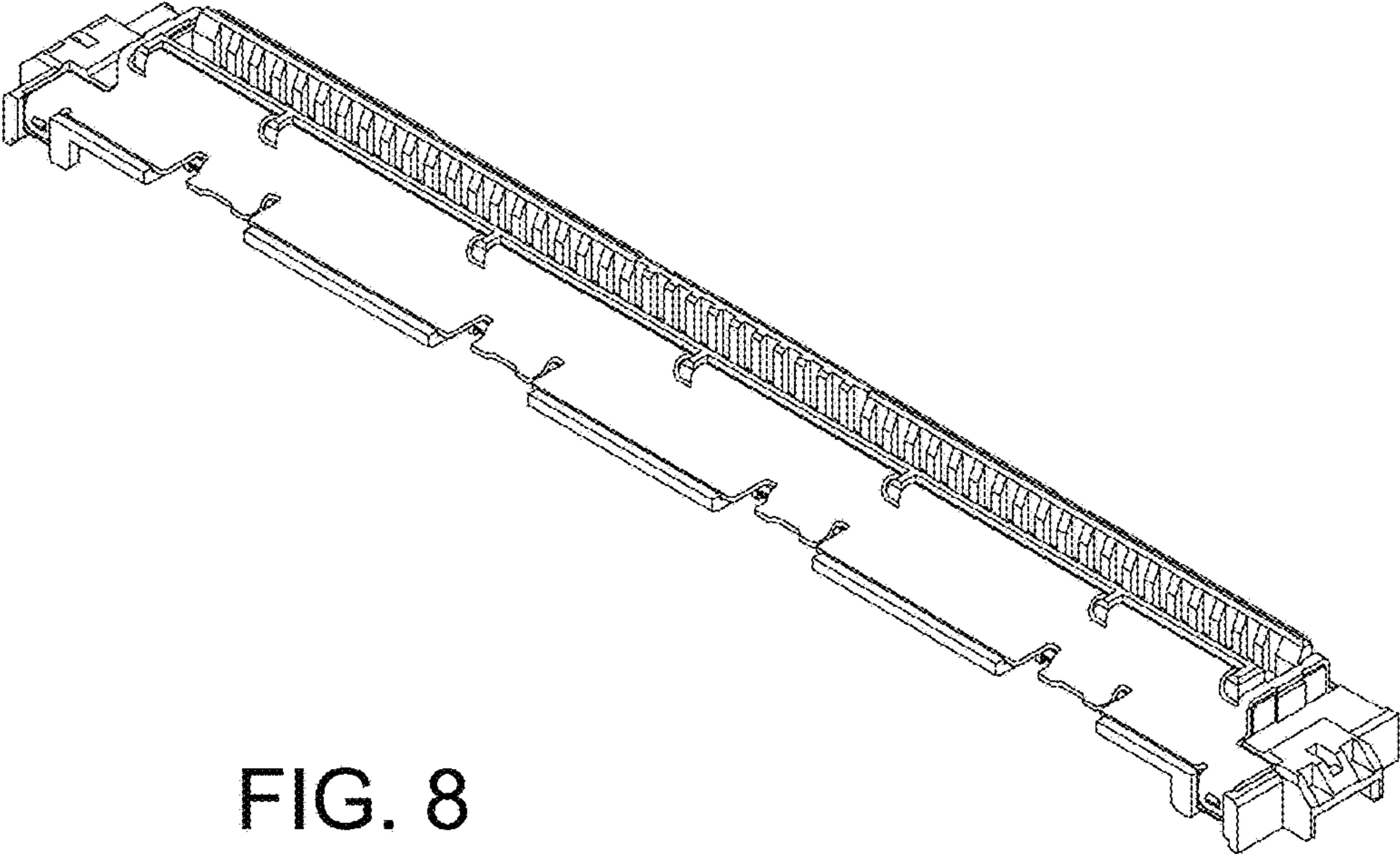


FIG. 8