

US00D852750S

(12) **United States Design Patent**
Bennett

(10) **Patent No.:** **US D852,750 S**

(45) **Date of Patent:** **** Jul. 2, 2019**

(54) **TRAILER WIRING CONNECTOR**
(71) Applicant: **HOPKINS MANUFACTURING CORPORATION**, Emporia, KS (US)

(72) Inventor: **Kyle Bennett**, Emporia, KS (US)

(73) Assignee: **Hopkins Manufacturing Corporation**, Emporia, KS (US)

(**) Term: **15 Years**

(21) Appl. No.: **29/633,823**

(22) Filed: **Jan. 16, 2018**

Related U.S. Application Data

(62) Division of application No. 29/551,066, filed on Jan. 11, 2016, now Pat. No. Des. 812,011.

(51) **LOC (11) Cl.** **13-03**

(52) **U.S. Cl.**
USPC **D13/146**

(58) **Field of Classification Search**
USPC D13/123, 133, 146, 147, 154, 184, 199
CPC H01R 13/0005; H01R 13/504; H01R 13/5213; H01R 13/633; H01R 13/7175; H01R 24/22; H01R 43/18; H01R 43/20
See application file for complete search history.

(56) **References Cited**

U.S. PATENT DOCUMENTS

D411,829 S * 7/1999 Pancheri D13/147
D514,068 S * 1/2006 Scheller D13/147

D527,708 S * 9/2006 Schemm D13/147
D615,930 S * 5/2010 Upham D13/146
D617,284 S * 6/2010 Rotenberg D13/154
D696,204 S * 12/2013 Lee D13/154
9,636,959 B1 * 5/2017 Ihde H01R 13/405
9,783,099 B1 * 10/2017 Delucco G01R 31/025
D812,011 S * 3/2018 Bennett D13/146

* cited by examiner

Primary Examiner — Daniel D Bui

(74) *Attorney, Agent, or Firm* — Hovey Williams LLP

(57) **CLAIM**

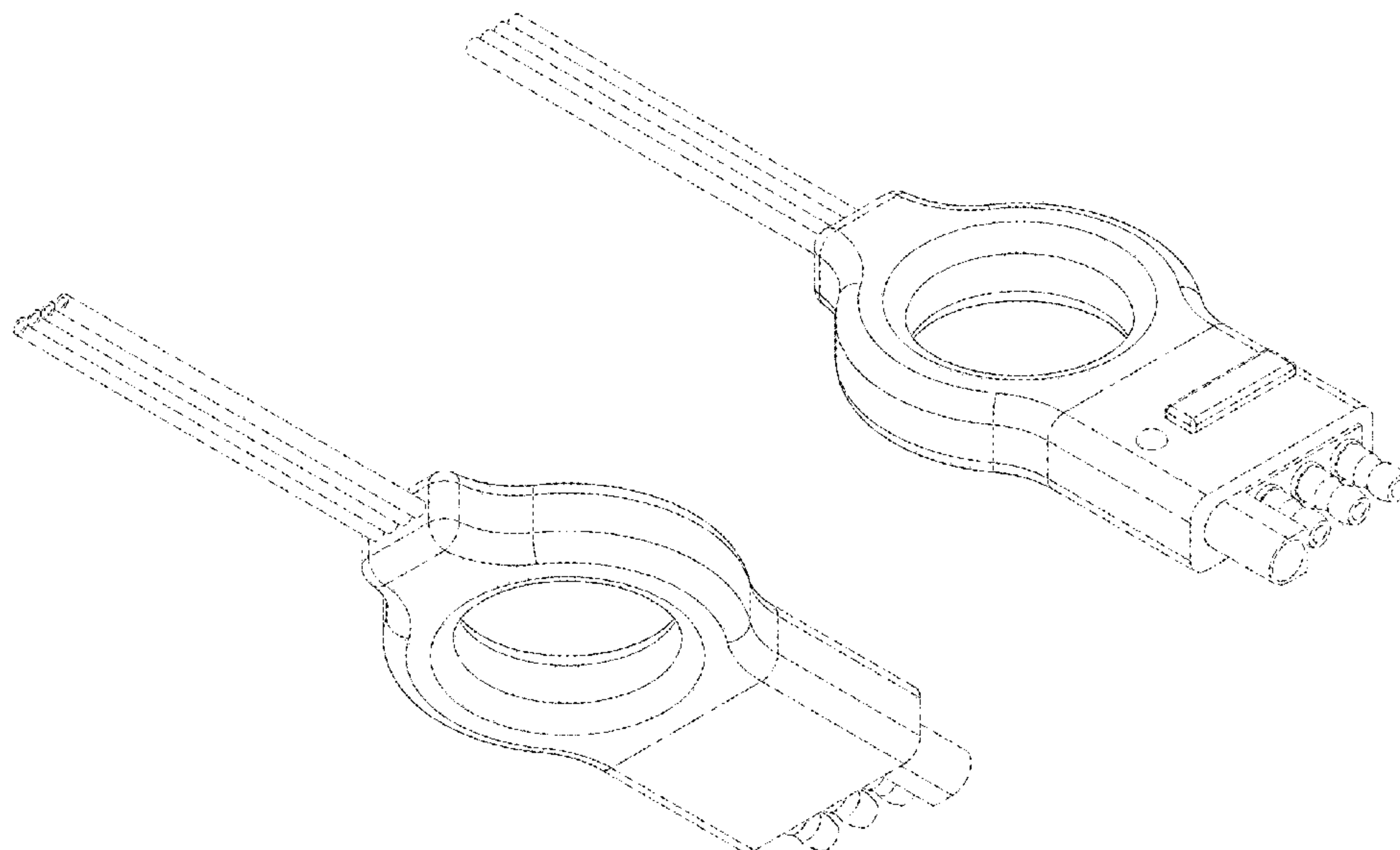
The ornamental design for a trailer wiring connector, as shown and described.

DESCRIPTION

FIG. 1 is a top perspective view of a trailer wiring connector showing my invention;
FIG. 2 is a bottom perspective view thereof;
FIG. 3 is a top plan view thereof;
FIG. 4 is a side elevational view thereof;
FIG. 5 is another side elevational view thereof;
FIG. 6 is a bottom plan view thereof;
FIG. 7 is a rear elevational view thereof; and,
FIG. 8 is a front elevational view thereof.

In the drawing views, the broken lines represent unclaimed portions of the trailer wiring connector and form no part of the claimed design. The dash-dot line represents a boundary of the claimed design.

1 Claim, 4 Drawing Sheets



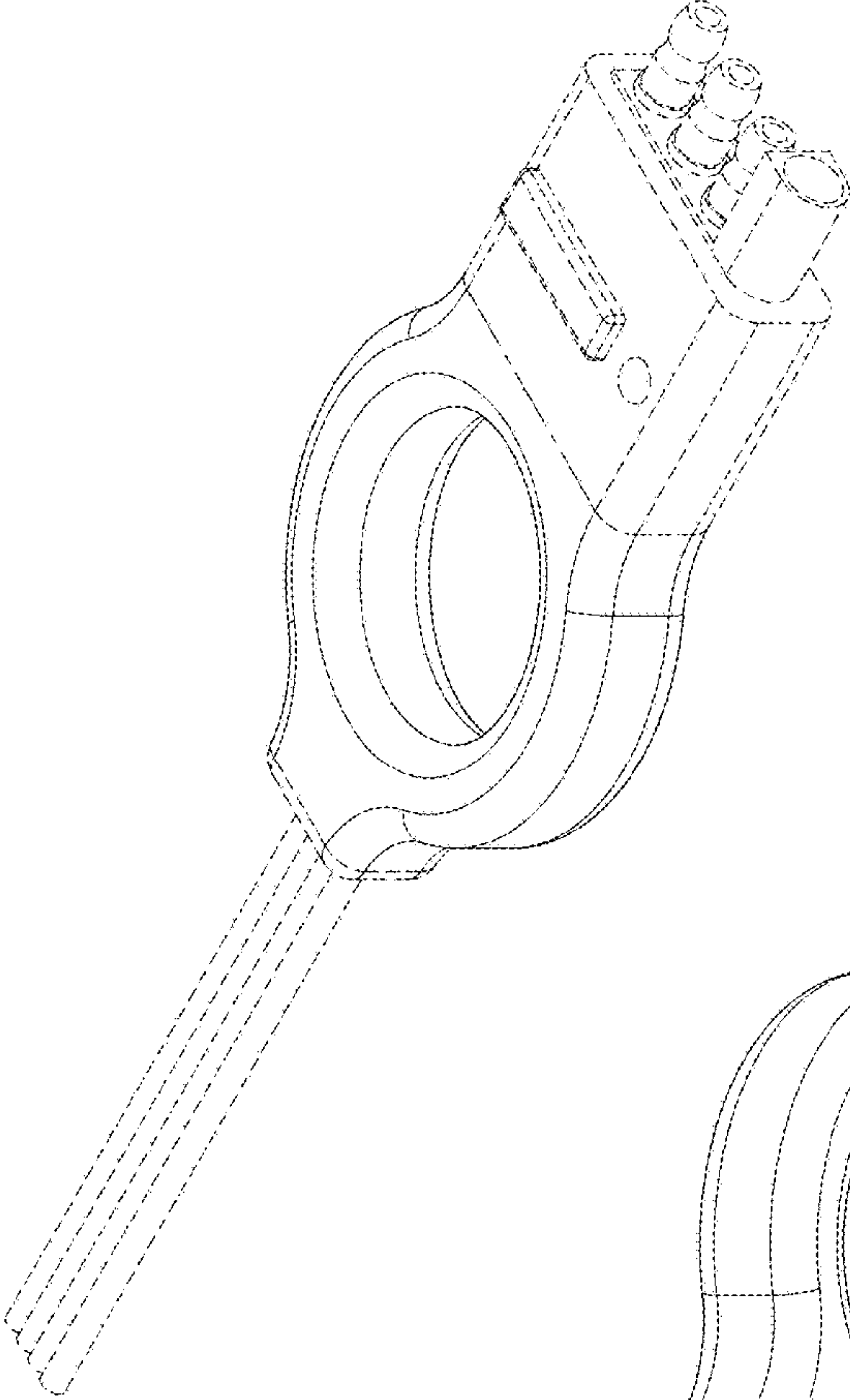


Fig. 1.

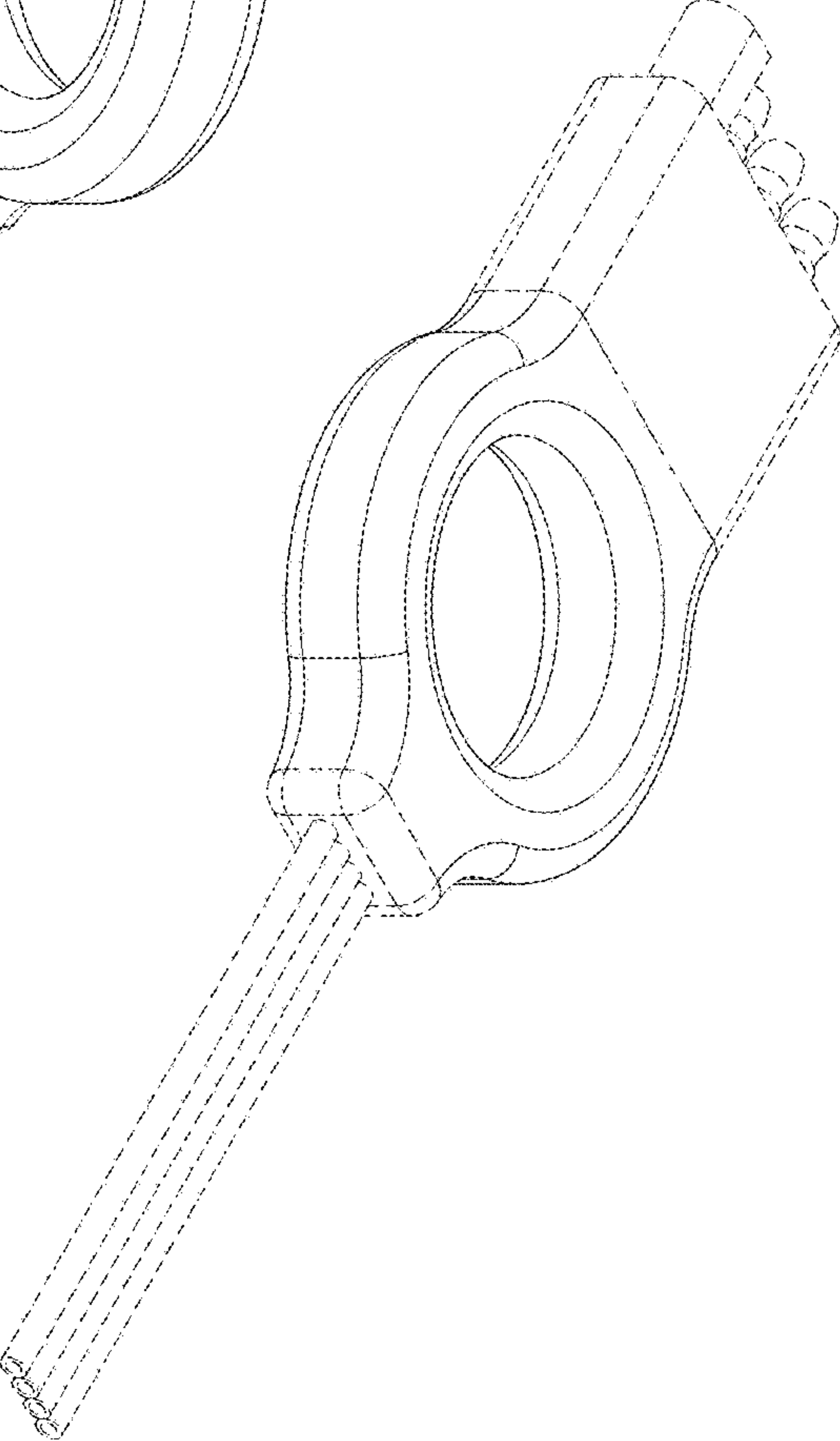


Fig. 2.

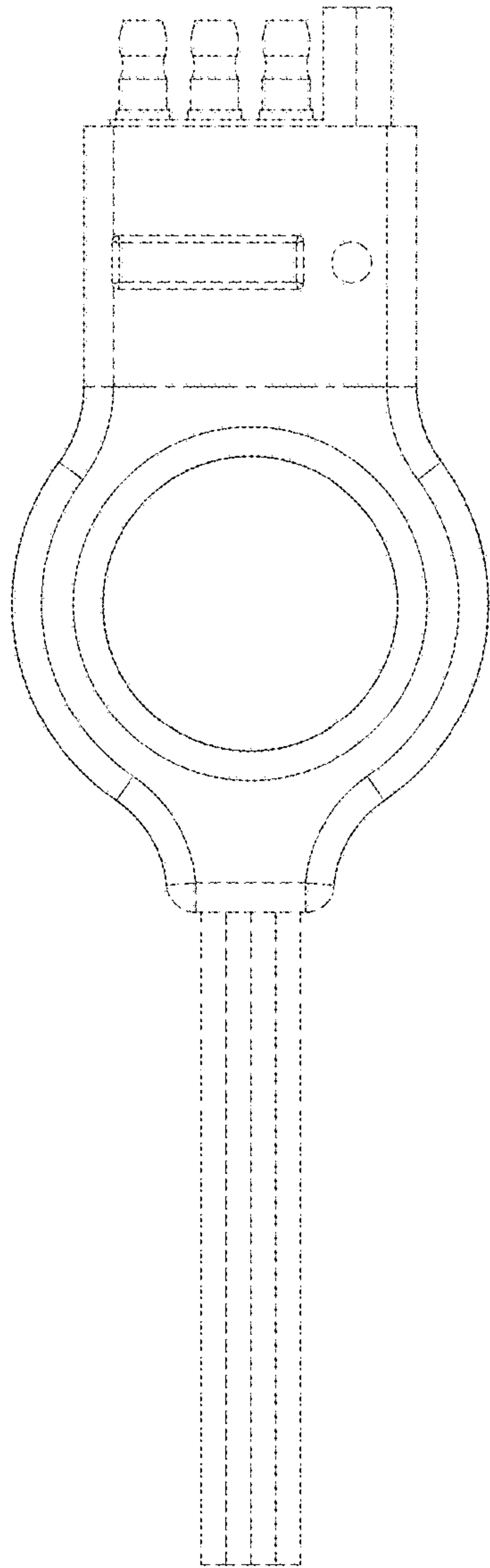


Fig. 3.

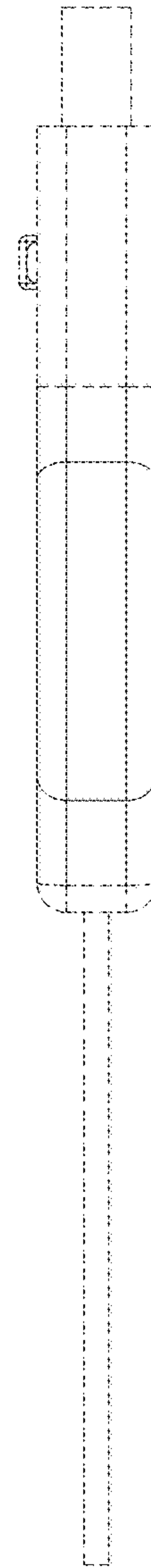


Fig. 4.

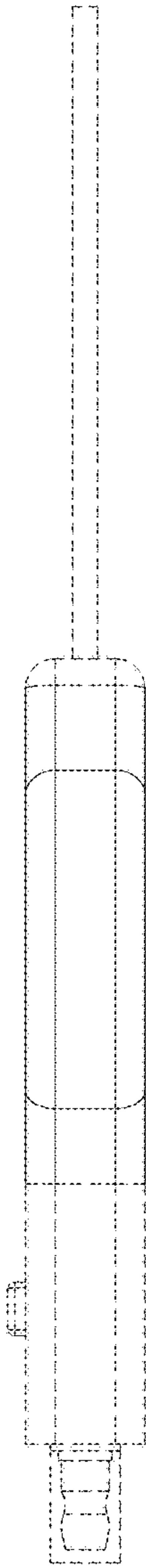


Fig. 5.

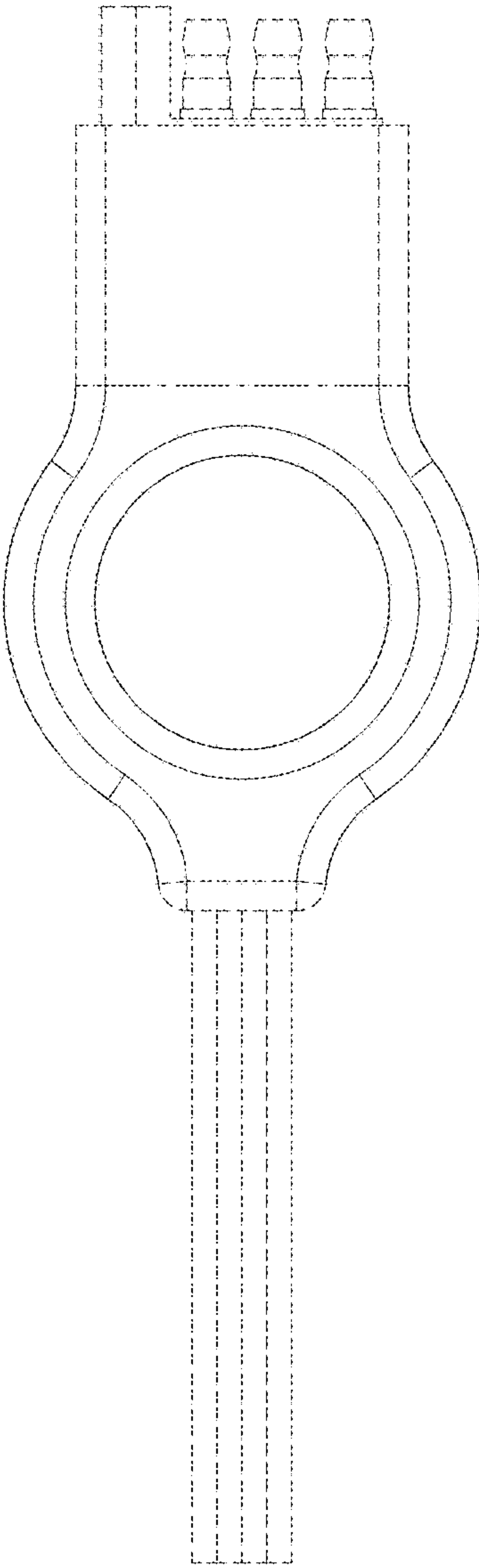


Fig. 6.

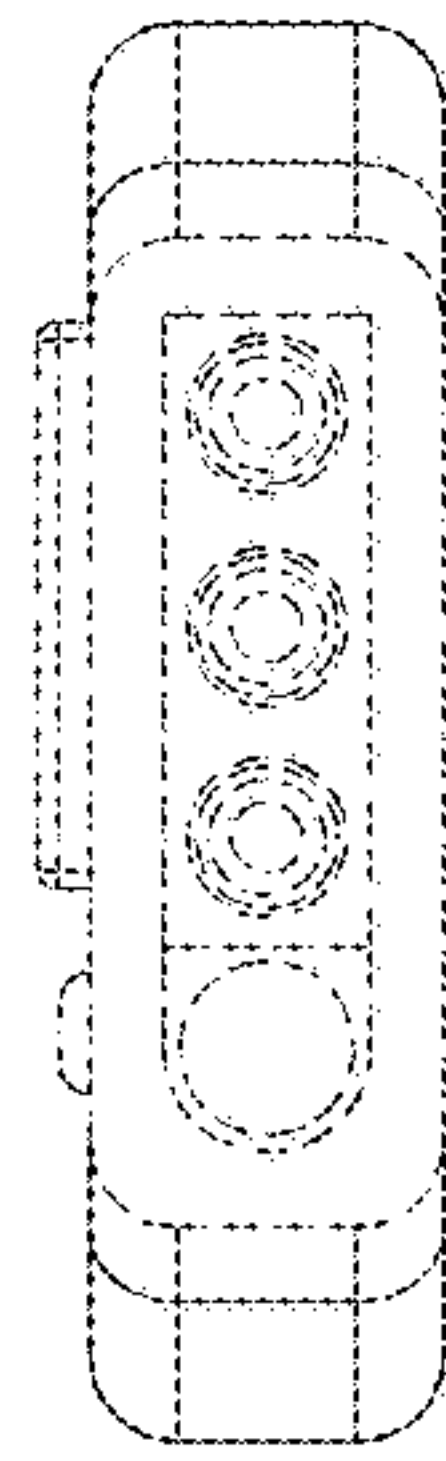


Fig. 8.

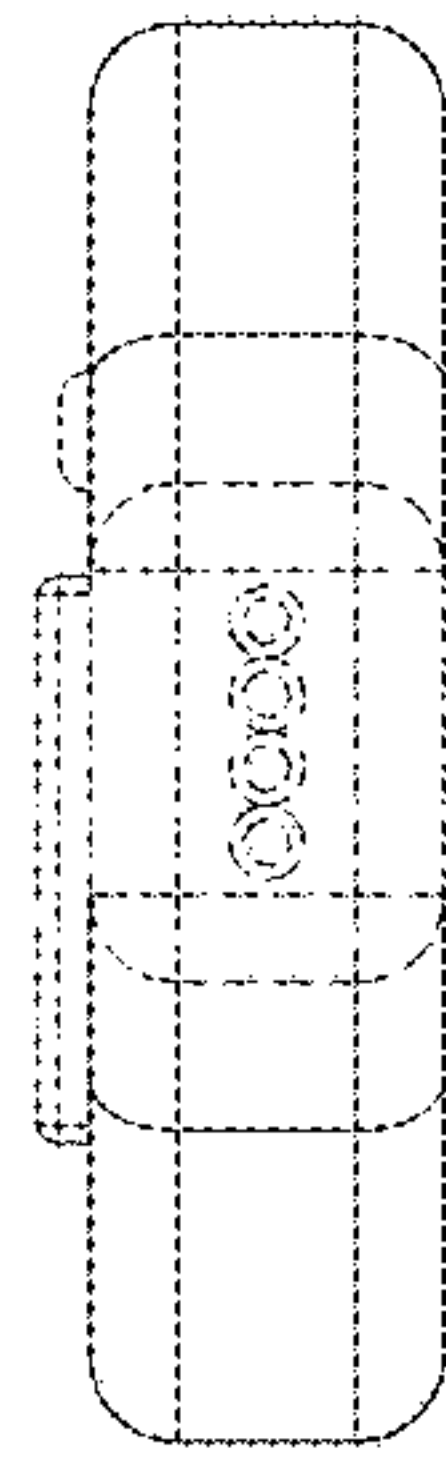


Fig. 7.