



US00D852749S

(12) **United States Design Patent**
Wang

(10) **Patent No.:** **US D852,749 S**
(45) **Date of Patent:** **** Jul. 2, 2019**

(54) **SMART SOCKET**

- (71) Applicant: **Shenzhen Linggan Zhihui Co., Ltd.**,
Shenzhen, Guangdong (CN)
- (72) Inventor: **Shengpao Wang**, Guangdong (CN)
- (73) Assignee: **SHENZHEN LINGGAN ZHIHUI**
CO., LTD., Shenzhen, Guangdong (CN)

(**) Term: **15 Years**

(21) Appl. No.: **29/634,960**

(22) Filed: **Jan. 25, 2018**

(51) **LOC (11) Cl.** **13-03**

(52) **U.S. Cl.**
USPC **D13/139.8**

(58) **Field of Classification Search**
USPC D13/108, 110, 123, 133, 137.1–137.4,
D13/138.1–138.2, 139.1–139.8, 152, 154;
D14/433
CPC .. H01R 25/00; H01R 25/006; H01R 13/6675;
H01R 13/10; H01R 13/44; H01R 13/66;
H01R 13/652; H01R 31/065; H01R
31/00; H01R 11/00; H01R 9/00; H01H
2207/00; H01H 2207/022
See application file for complete search history.

(56) **References Cited**

U.S. PATENT DOCUMENTS

D801,276 S	*	10/2017	Lin	D13/139.7
D823,805 S	*	7/2018	Xu	D13/139.8
D828,304 S	*	9/2018	Chen	D13/139.8
D837,736 S	*	1/2019	Liao	D13/139.7

OTHER PUBLICATIONS

Amazon.com: Aneken Smart Power Strip. Published Dec. 11, 2017. Retrieved from the internet at <<https://www.amazon.com/dp/B07FDX6XZ6/>>, Jan. 28, 2019. 1 page. (Year: 2017).*

* cited by examiner

Primary Examiner — Rosemary K Tarcza
Assistant Examiner — Christy M Nemeth
(74) *Attorney, Agent, or Firm* — Justin Lampel

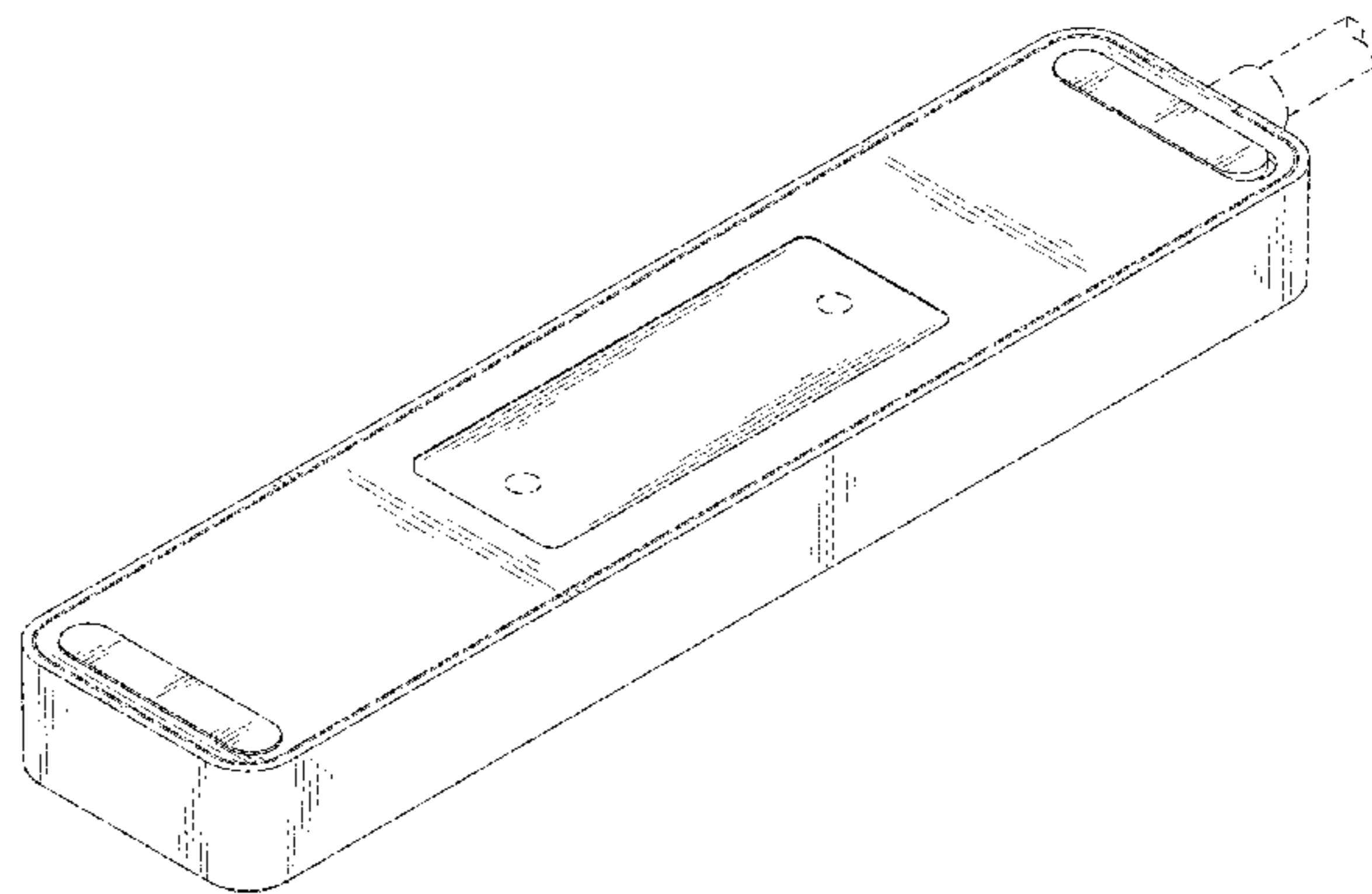
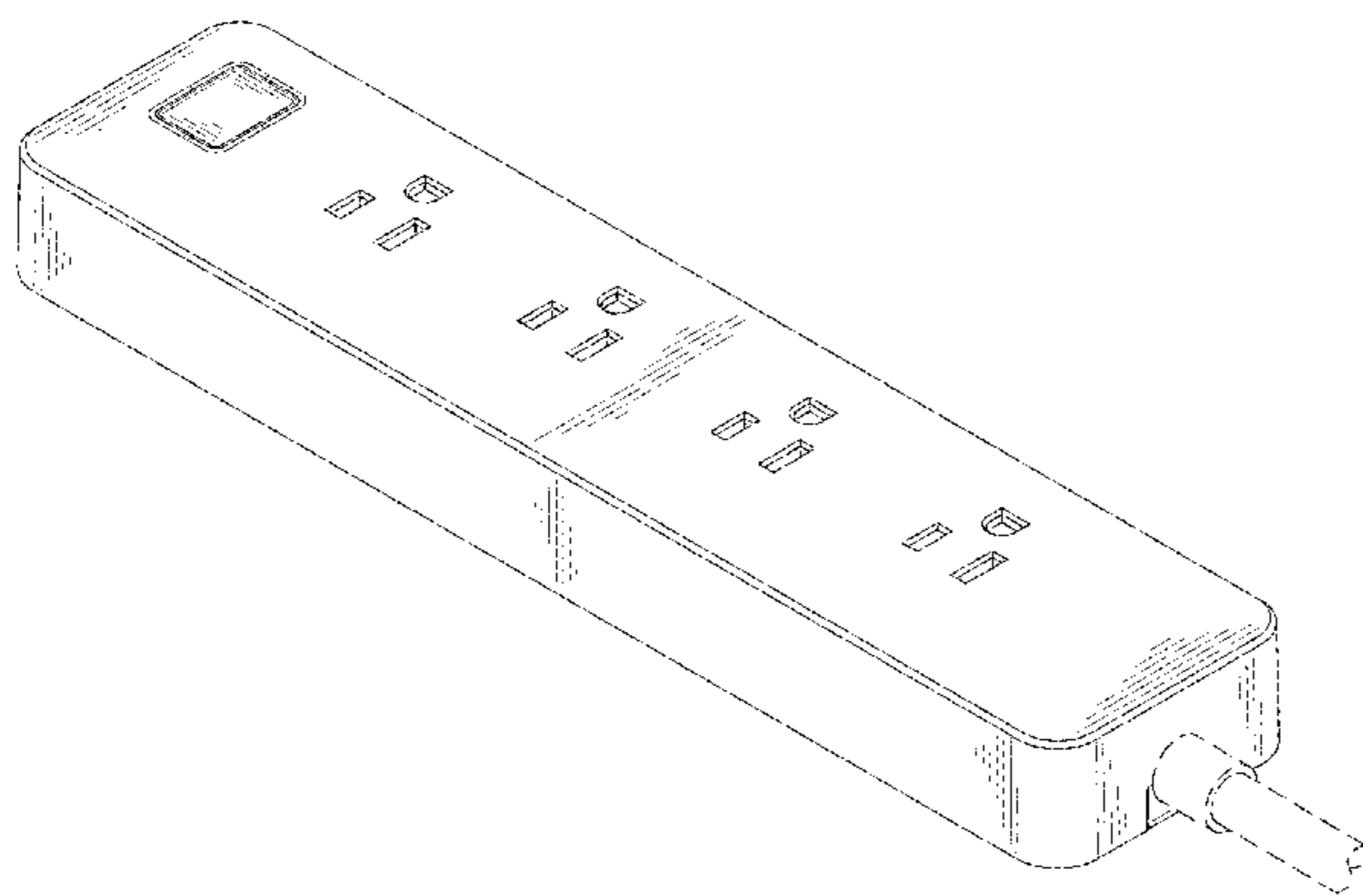
(57) **CLAIM**

The ornamental design for a smart socket, as shown and described.

DESCRIPTION

FIG. 1 is a first perspective view of a smart socket showing my new design;
FIG. 2 is a second perspective view thereof;
FIG. 3 is a front elevational view thereof.
FIG. 4 is a rear elevational view thereof;
FIG. 5 is a left side view thereof;
FIG. 6 is a right side view thereof;
FIG. 7 is a top plan view thereof; and,
FIG. 8 is a bottom plan view thereof.
The broken lines in the drawings illustrate portions of the smart socket which form no part of the claimed design.

1 Claim, 8 Drawing Sheets



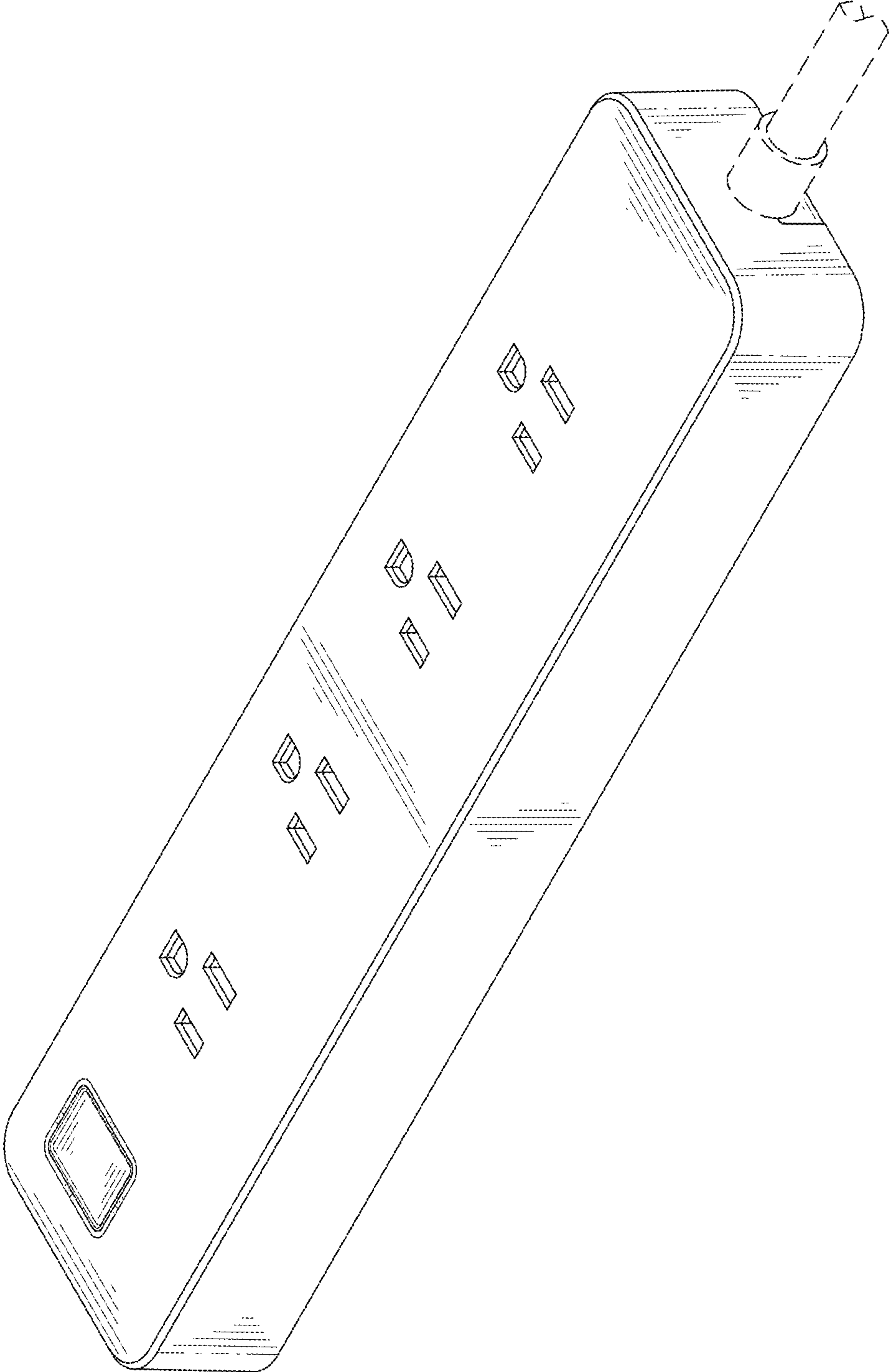


FIG. 1

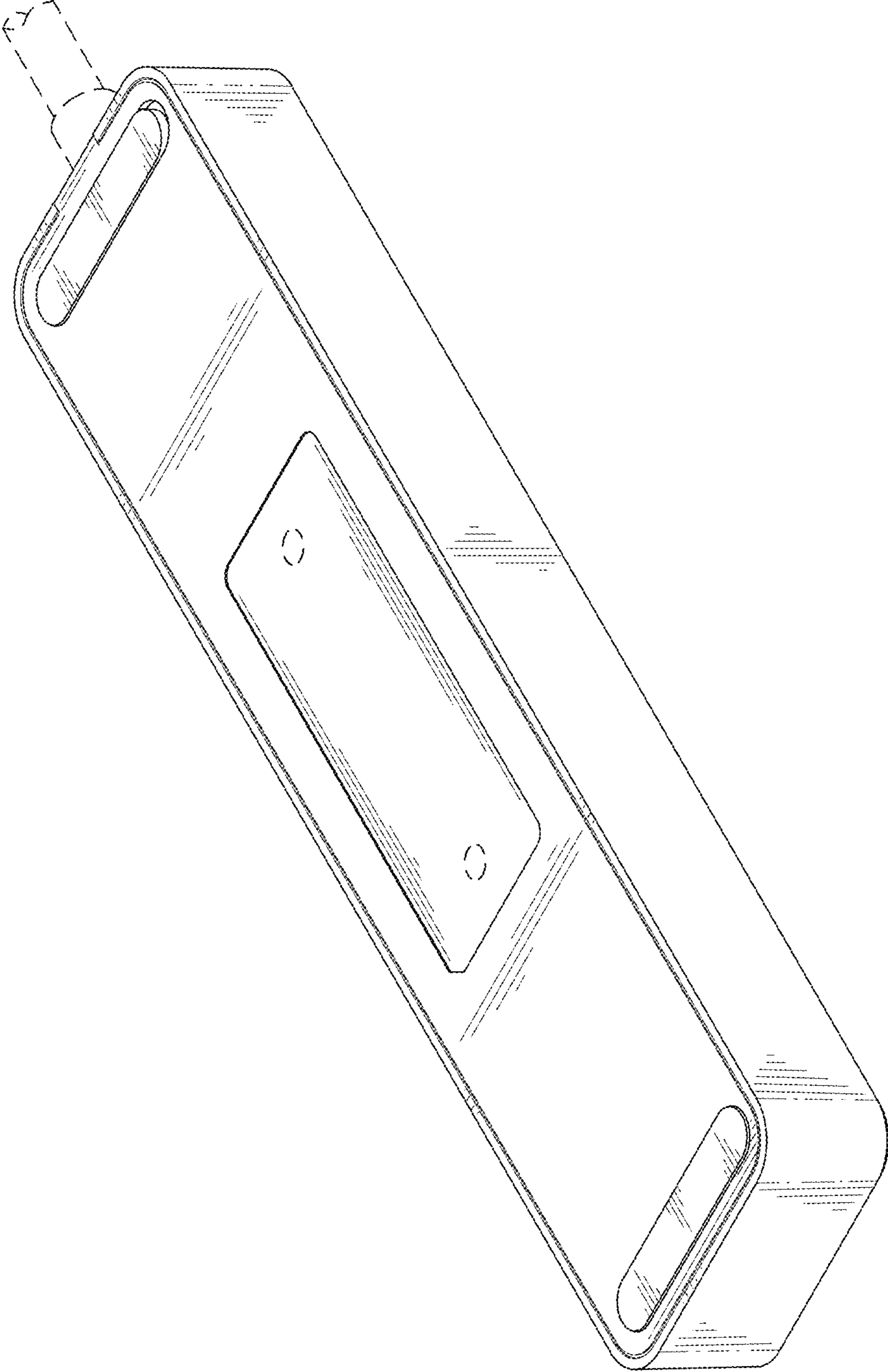


FIG. 2

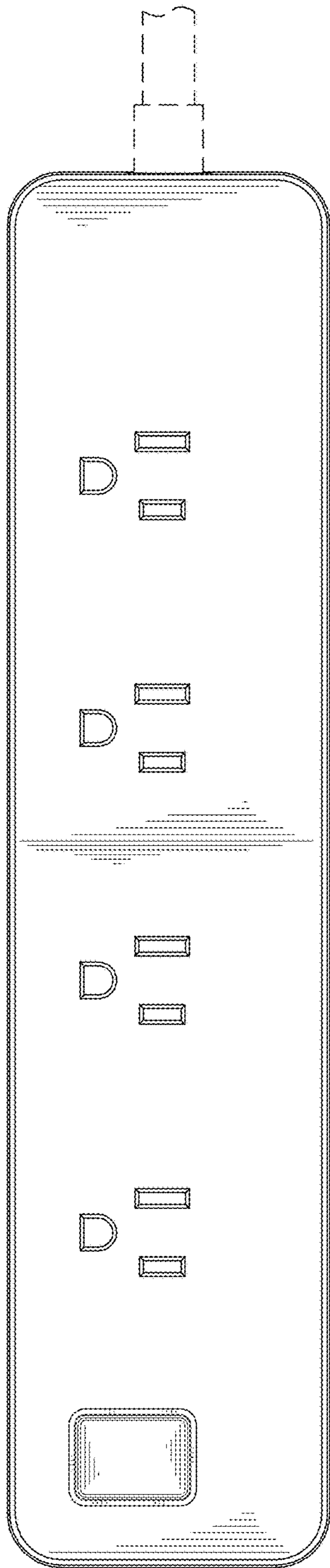


FIG. 3

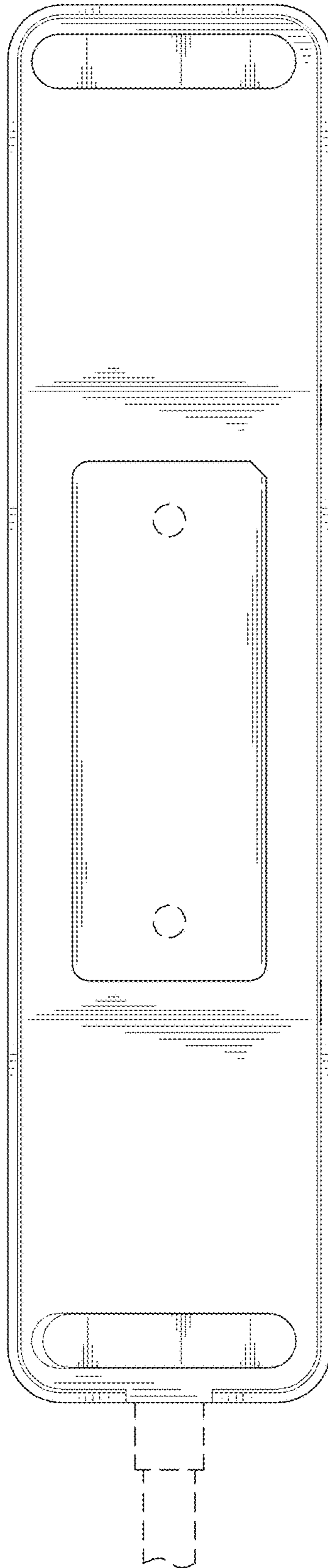


FIG. 4

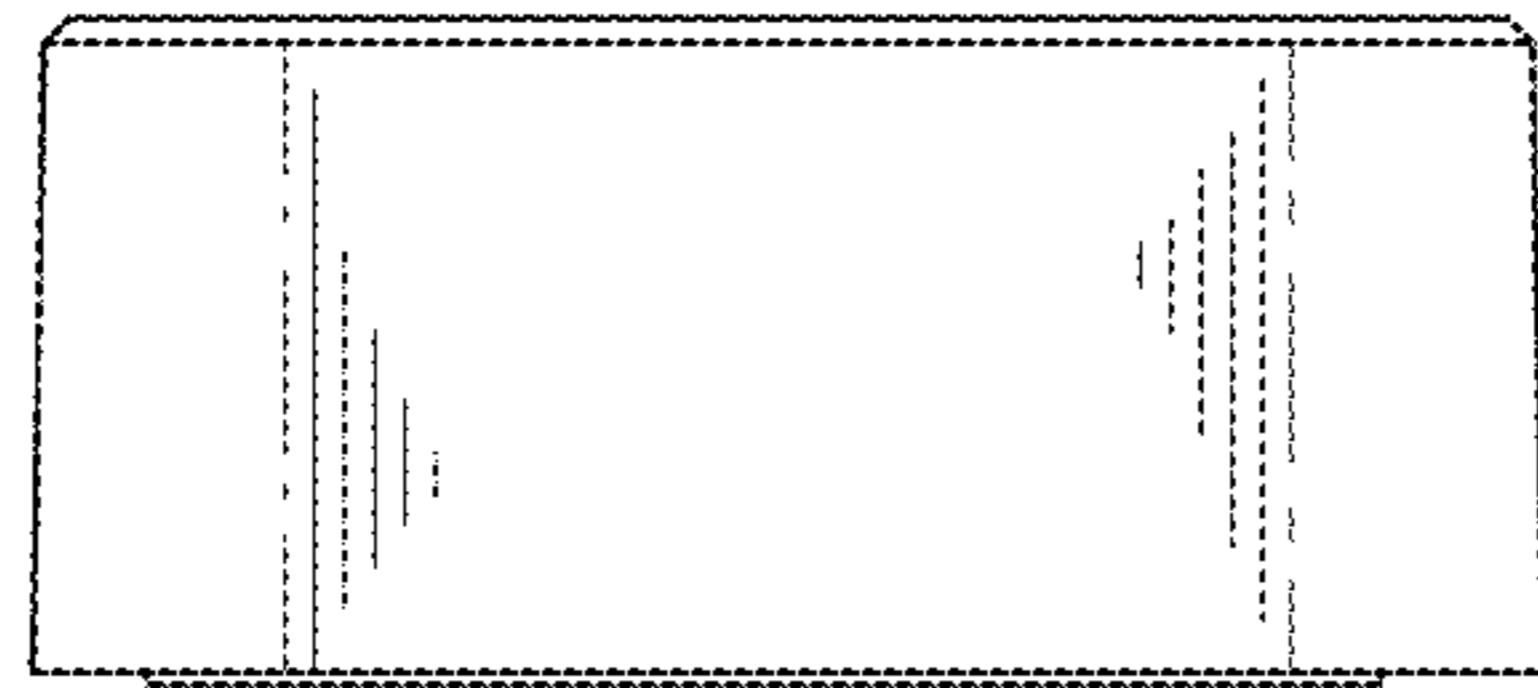


FIG. 5

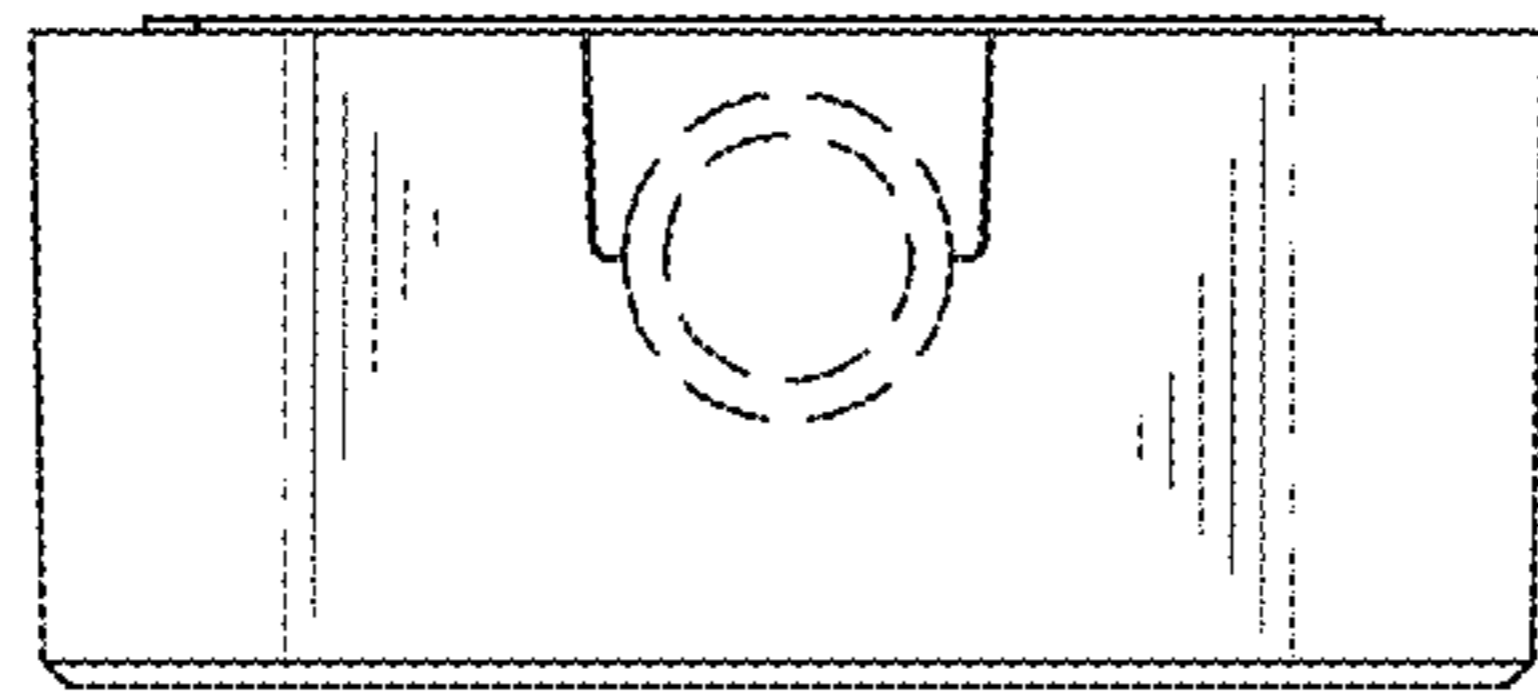


FIG. 6

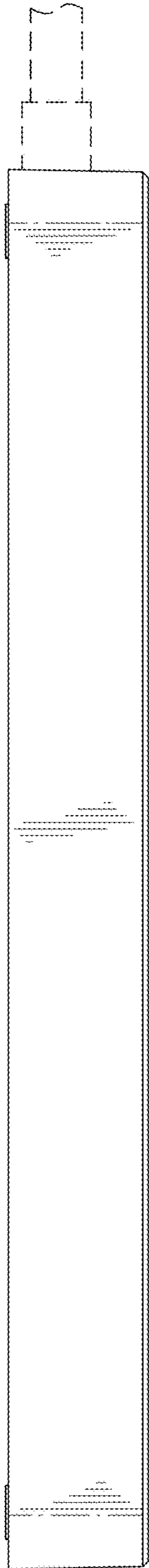


FIG. 7

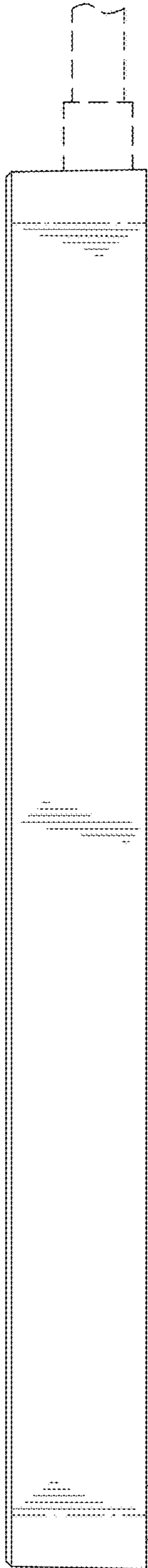


FIG. 8