



US00D852748S

(12) **United States Design Patent**
Liu

(10) **Patent No.:** **US D852,748 S**
(45) **Date of Patent:** **** Jul. 2, 2019**

(54) **PLUG**
(71) Applicant: **POWERSYNC INTERNATIONAL CORP.**, New Taipei (TW)
(72) Inventor: **Meng-Chang Liu**, New Taipei (TW)
(73) Assignee: **POWERSYNC INTERNATIONAL CORP.**, New Taipei (TW)
(**) Term: **15 Years**

D586,296 S * 2/2009 Liu D13/138.2
D777,672 S * 1/2017 Park D13/138.1
D784,263 S * 4/2017 Xu D13/138.2
D826,160 S * 8/2018 Xu D13/138.2
D837,158 S * 1/2019 Thoni D13/133

* cited by examiner

Primary Examiner — Rosemary K Tarcza
Assistant Examiner — Christy M Nemeth
(74) *Attorney, Agent, or Firm* — Muncy, Geissler, Olds & Lowe, P.C.

(21) Appl. No.: **29/631,852**
(22) Filed: **Jan. 3, 2018**
(51) **LOC (11) Cl.** **13-03**
(52) **U.S. Cl.**
USPC **D13/138.2**
(58) **Field of Classification Search**
USPC D13/108, 110, 123, 133, 137.1–137.4,
D13/138.1–138.2, 139.1–139.8, 152, 154;
D14/433
CPC .. H01R 25/00; H01R 25/006; H01R 13/6675;
H01R 13/10; H01R 13/44; H01R 13/66;
H01R 13/652; H01R 31/065; H01R
31/00; H01R 11/00; H01R 9/00; H01H
2207/00; H01H 2207/022
See application file for complete search history.

(57) **CLAIM**

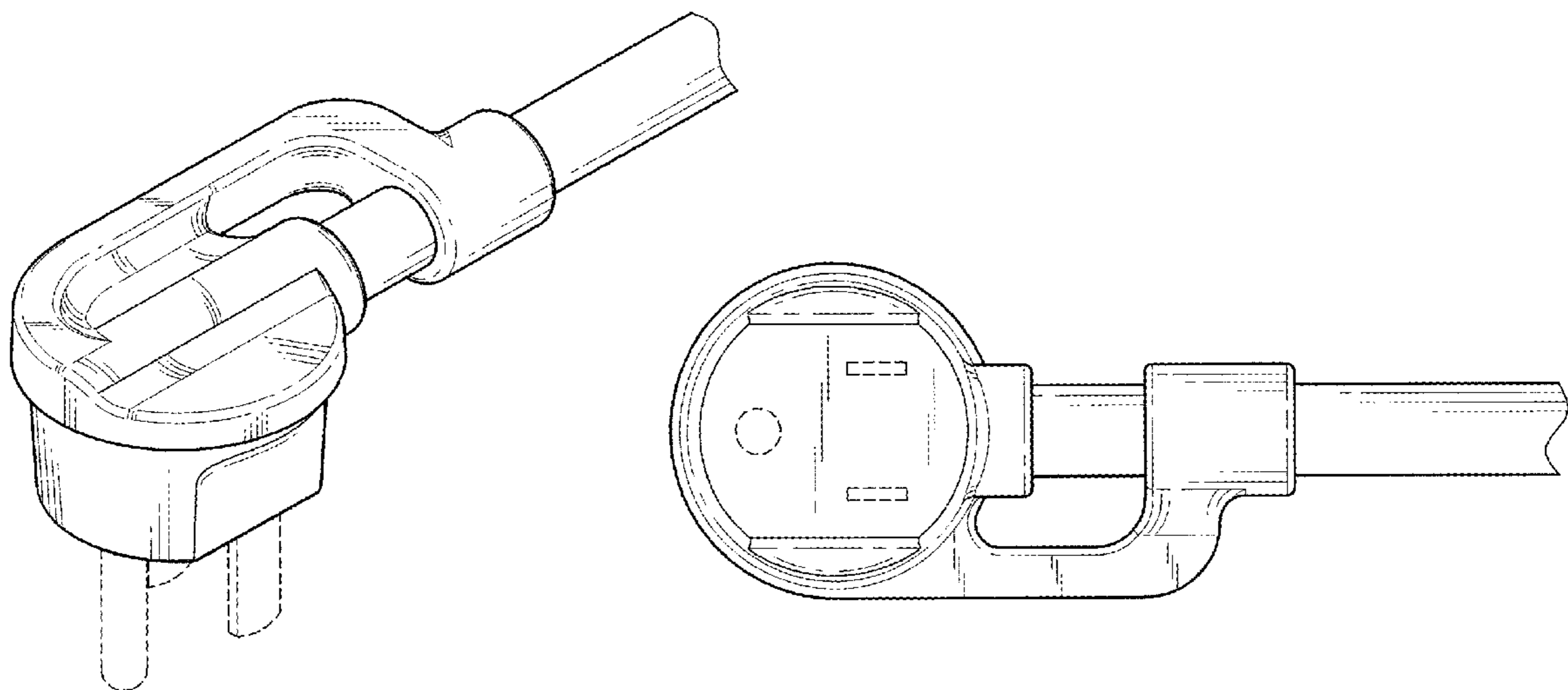
The ornamental design for a plug, as shown and described.

DESCRIPTION

FIG. 1 is a perspective view of a plug, showing my new design;
FIG. 2 is a front view thereof;
FIG. 3 is a rear view thereof;
FIG. 4 is a left-side view thereof;
FIG. 5 is a right-side view thereof;
FIG. 6 is a top view thereof; and,
FIG. 7 is a bottom view thereof.
The broken lines in the drawings are for the purpose of illustrating portions of the plug that form no part of the claimed design.

(56) **References Cited**
U.S. PATENT DOCUMENTS
D533,837 S * 12/2006 Wang D13/138.2
D537,784 S * 3/2007 Suckle D13/138.1

1 Claim, 6 Drawing Sheets



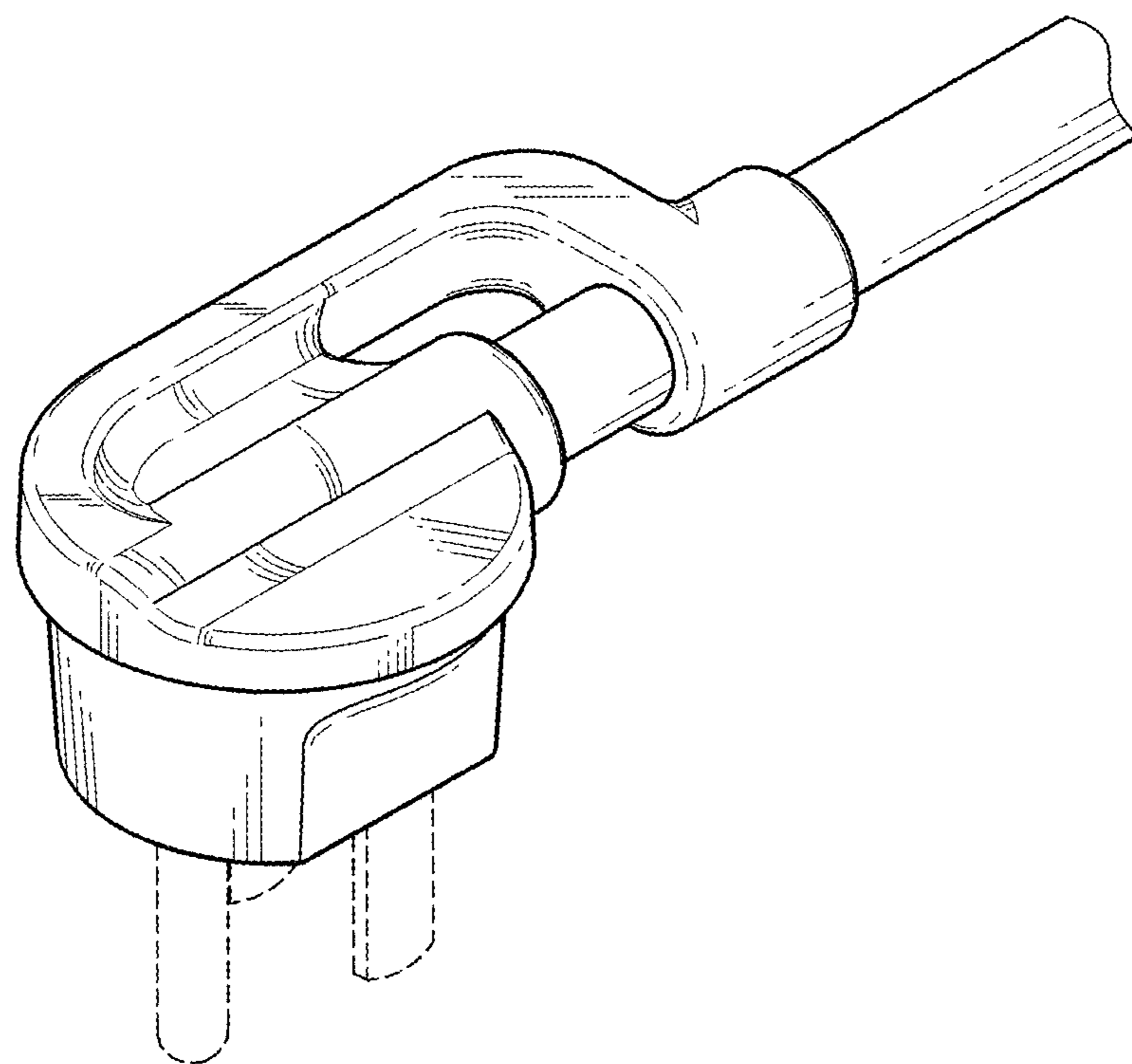


Fig. 1

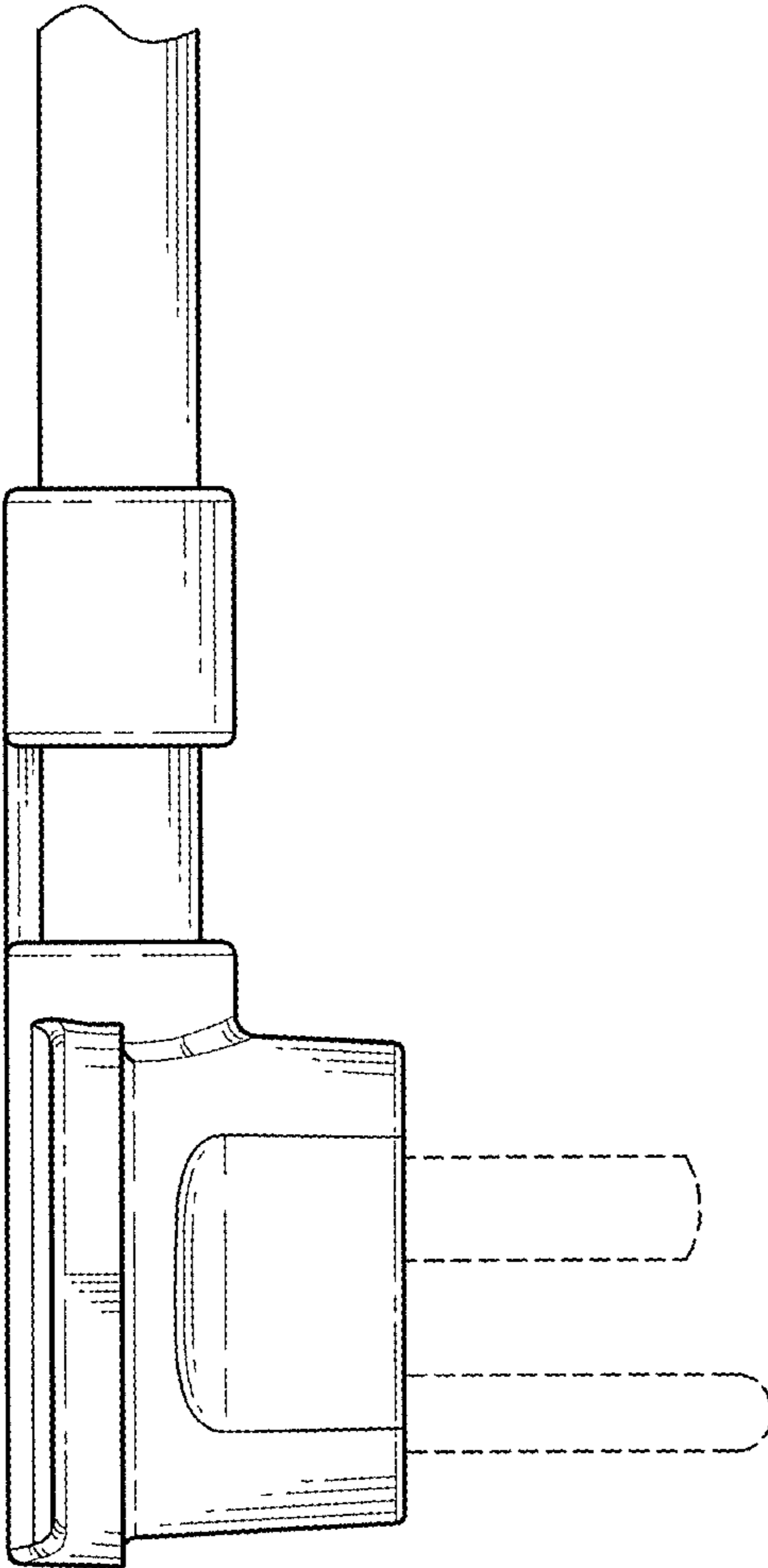


Fig. 2

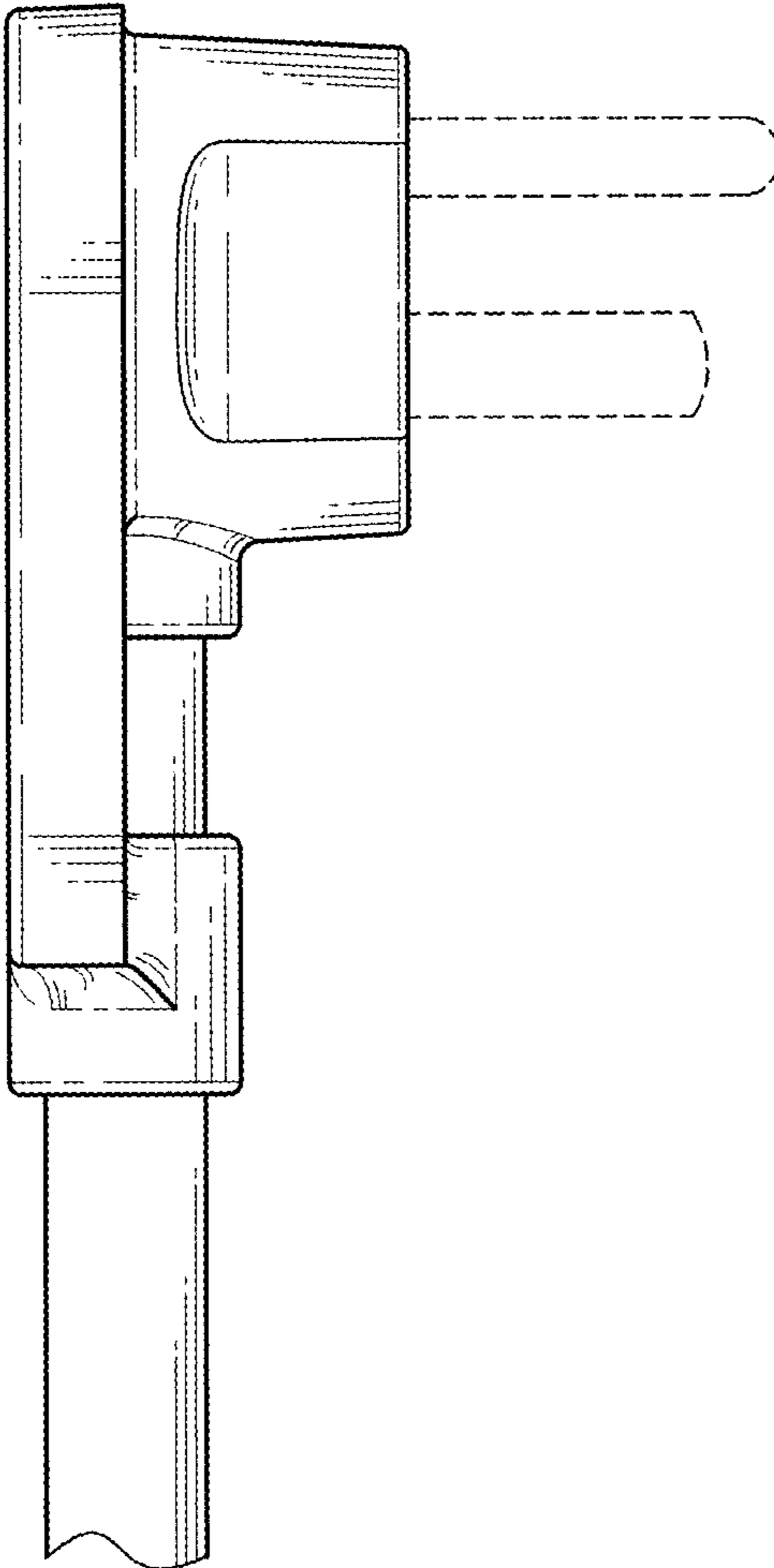


Fig. 3

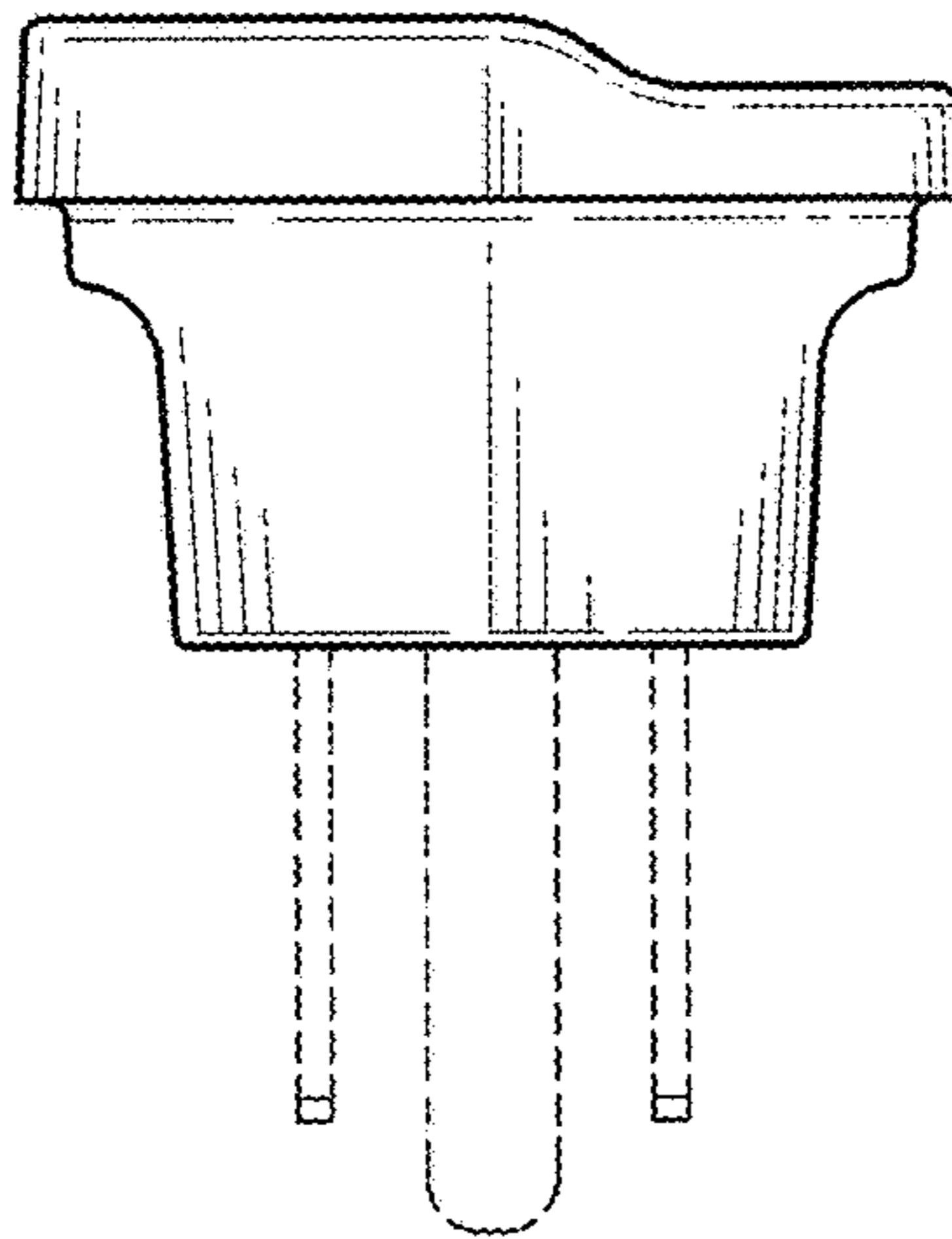


Fig. 4

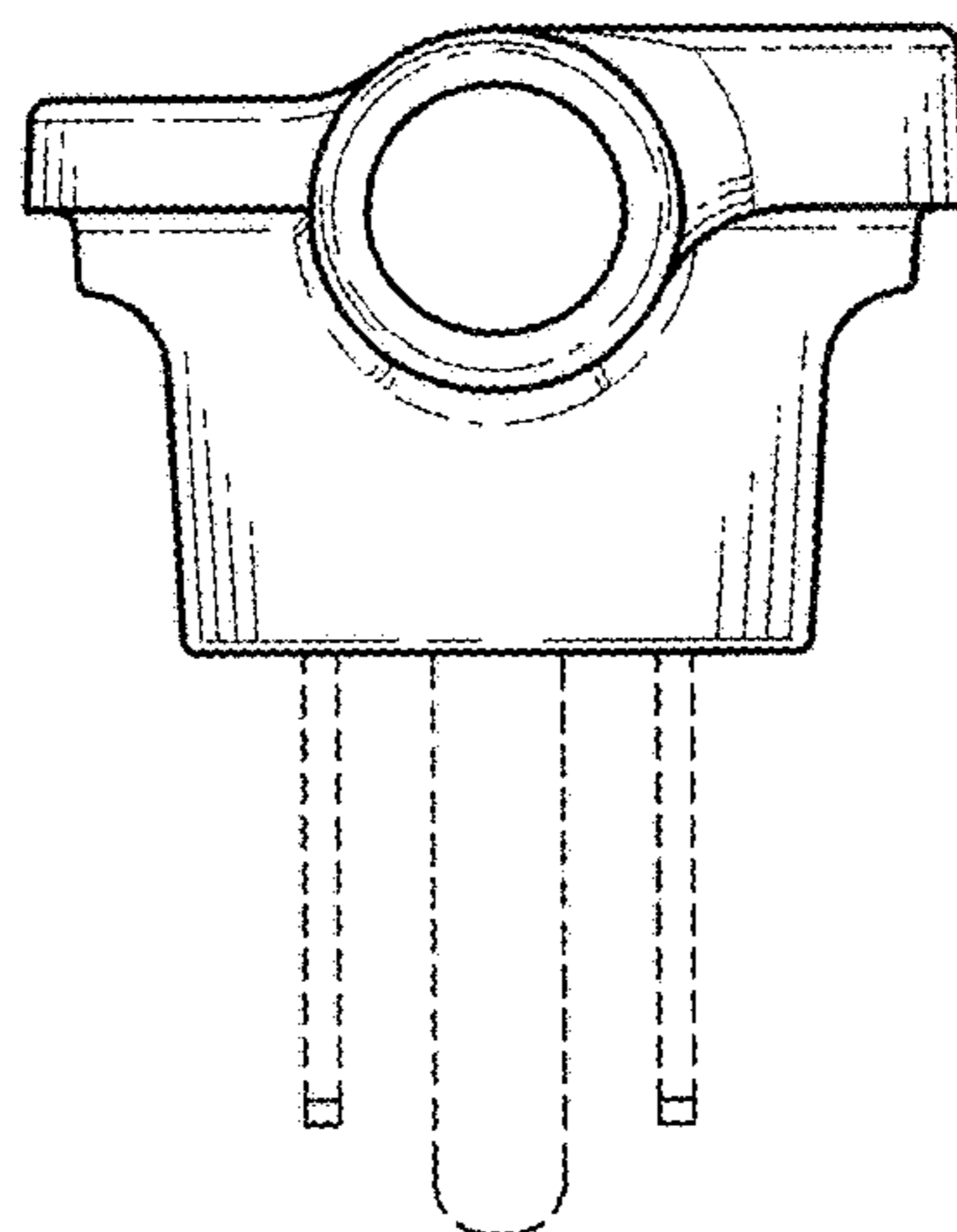


Fig. 5

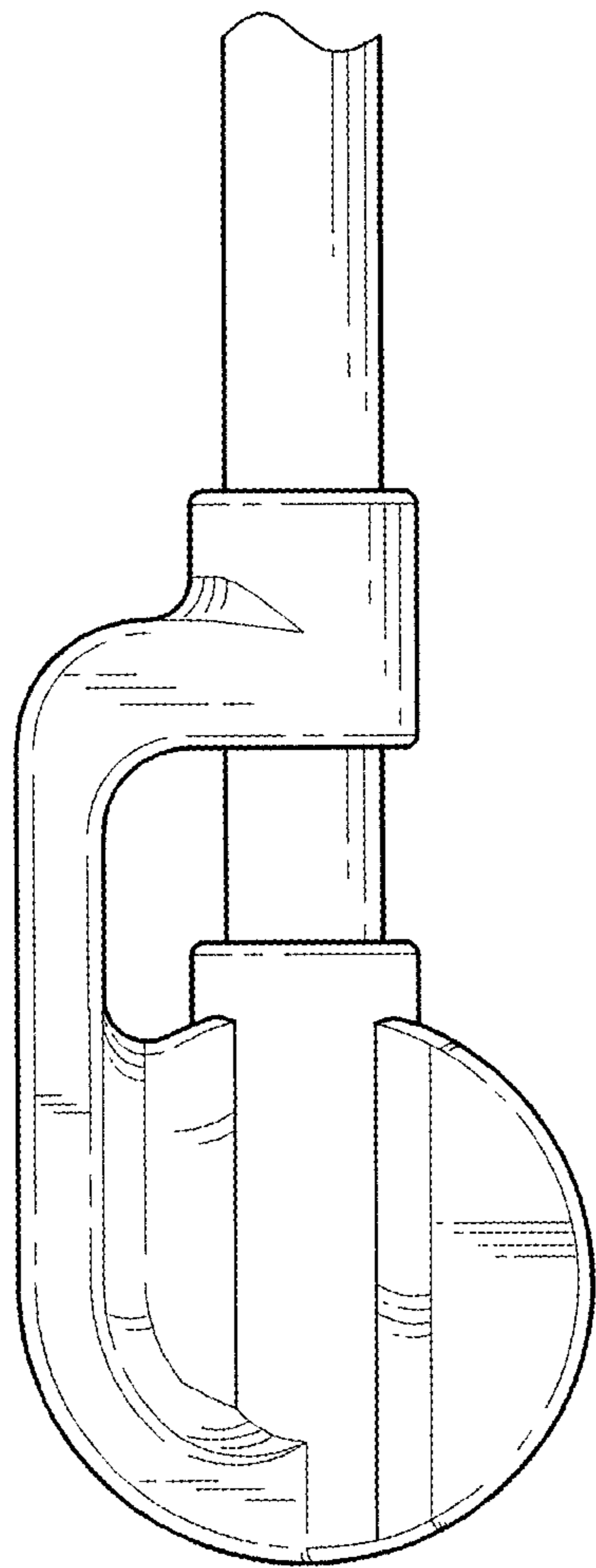


Fig. 6

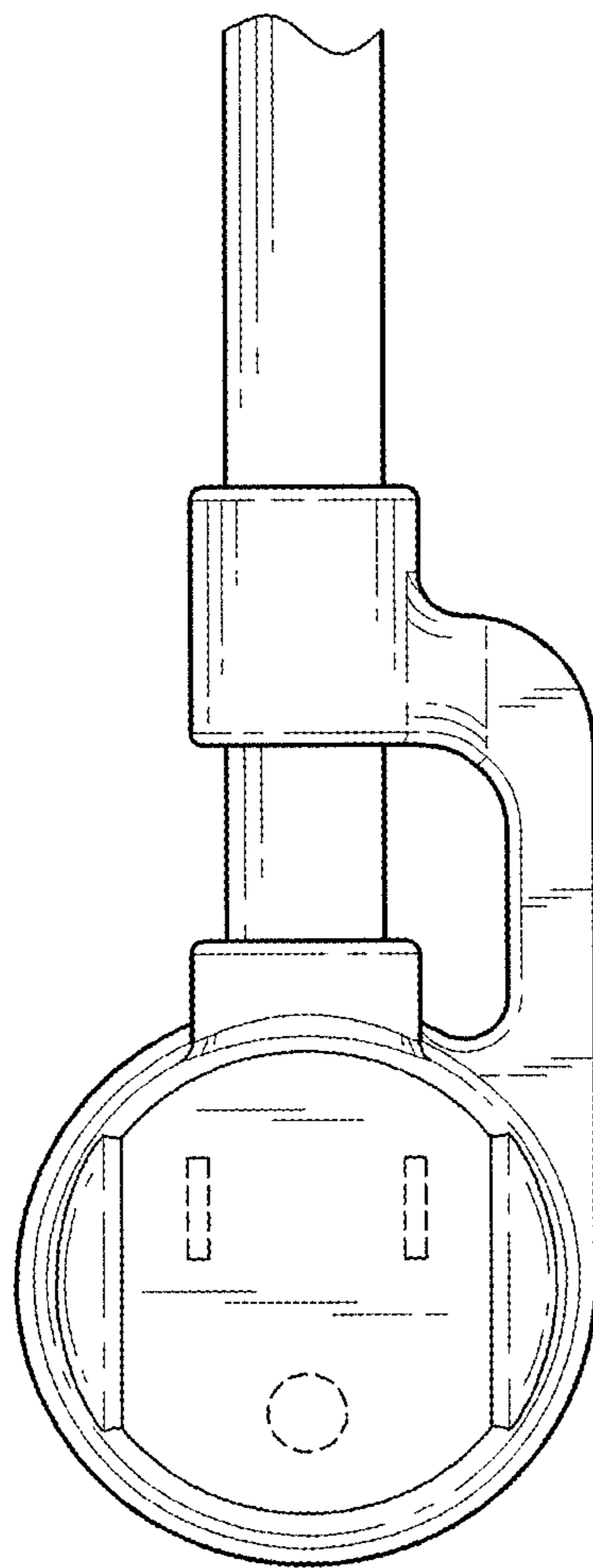


Fig. 7