



US00D852747S

(12) **United States Design Patent**  
**Zhuang et al.**

(10) **Patent No.:** **US D852,747 S**  
(45) **Date of Patent:** **\*\* Jul. 2, 2019**

(54) **TERMINAL ASSEMBLY WITH A BIMETAL THERMAL PROTECTION PLATE FOR A POWER RECEPTACLE**

2,399,406 A 4/1946 Toth  
2,508,637 A 5/1950 Bolesky  
2,783,329 A 2/1957 Jackson  
3,546,650 A 12/1970 Purer  
3,601,660 A 8/1971 Brandt et al.  
(Continued)

(71) Applicant: **Eaton Intelligent Power Limited**,  
Dublin (IE)

(72) Inventors: **Alex Zhuang**, Shanghai (CN); **George Zhang**, Shanghai (CN); **Erik Jeffrey Gouhl**, Fayetteville, GA (US); **Darron Kirby Lacey**, Peachtree City, GA (US); **Tom Xiong**, Shanghai (CN)

(73) Assignee: **Eaton Intelligent Power Limited**,  
Dublin (IE)

(\*\*) Term: **15 Years**

(21) Appl. No.: **29/593,429**

(22) Filed: **Feb. 8, 2017**

(51) **LOC (11) Cl.** ..... **13-03**

(52) **U.S. Cl.**  
USPC ..... **D13/133; D13/154**

(58) **Field of Classification Search**  
USPC ..... D13/118–123, 133, 146, 147, 149,  
D13/154–156, 160, 161, 173, 178, 184,  
D13/199  
CPC ... H01R 4/24; H01R 4/64; H01R 4/66; H01R  
9/05; H01R 13/64; H01R 13/68; H01R  
24/30; H01R 27/02; H01R 13/648; H01R  
13/713; H01R 13/7137; H01H 5/08;  
H01H 9/00; H01H 50/54; H01H 61/00;  
H02H 5/04; H02H 5/048  
See application file for complete search history.

(56) **References Cited**

**U.S. PATENT DOCUMENTS**

1,641,002 A 8/1927 Kaplan  
1,850,206 A 3/1932 Hertzberg  
2,136,366 A \* 11/1938 Martin ..... H01R 4/34  
439/806

**OTHER PUBLICATIONS**

Aperam Alloys Imphy “Thermostat Components Alloys” www.aperam.com/alloys-imphy (1 page) (Jun. 2012).  
(Continued)

*Primary Examiner* — Angela J Lee  
*Assistant Examiner* — Shawn T Gingrich  
(74) *Attorney, Agent, or Firm* — Myers Bigel, P.A.

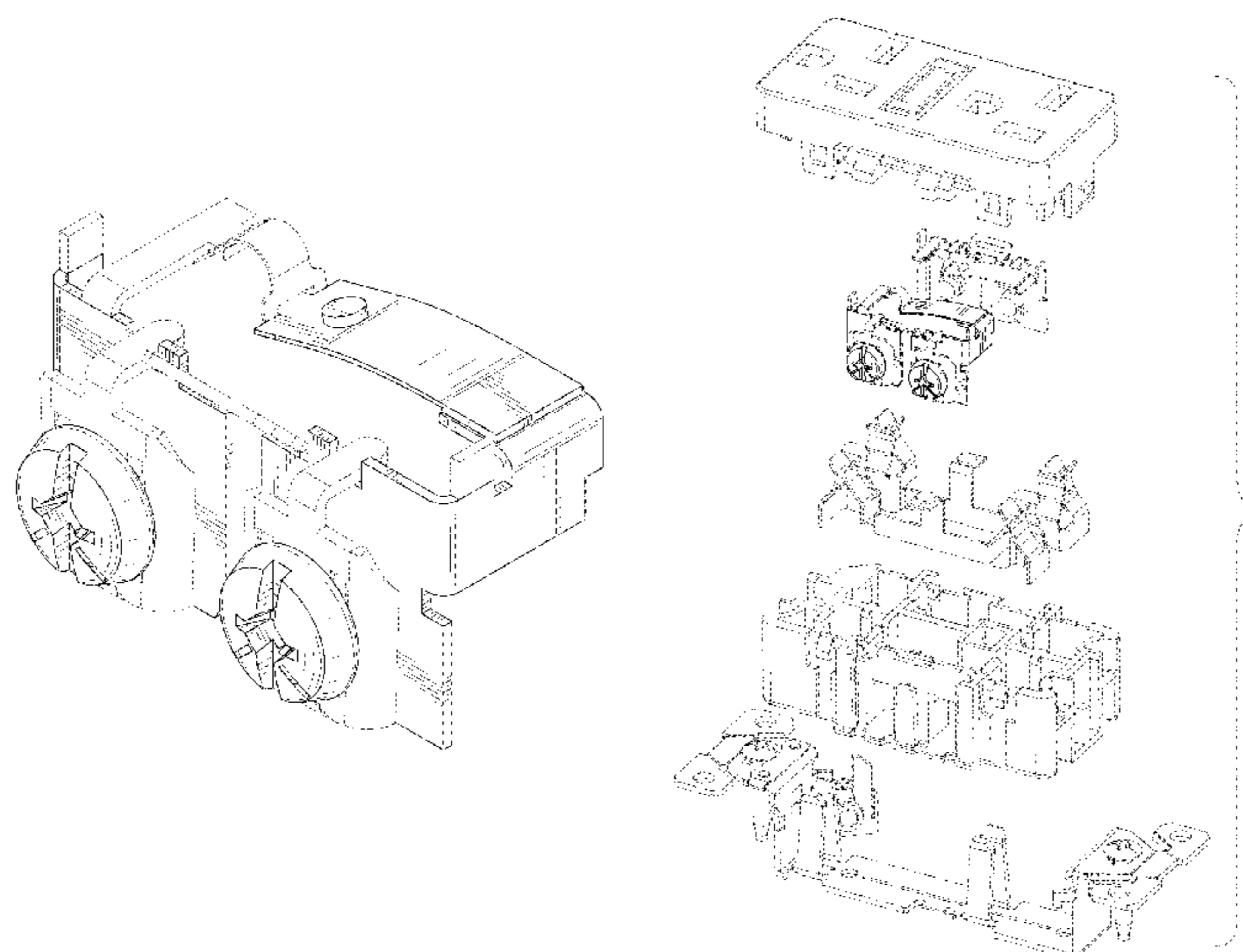
(57) **CLAIM**

The ornamental design for a terminal assembly with a bimetal thermal protection plate for a power receptacle, as shown and described.

**DESCRIPTION**

FIG. 1 is a top, side perspective view of a terminal assembly with a bimetal thermal protection plate for a power receptacle showing our design;  
FIG. 2 is a bottom, side perspective view thereof;  
FIG. 3 is a side view thereof;  
FIG. 4 is an opposing side view thereof;  
FIG. 5 is an end view thereof;  
FIG. 6 is an opposing end view thereof;  
FIG. 7 is a top view thereof;  
FIG. 8 is a bottom view thereof; and,  
FIG. 9 is an environmental view of the terminal assembly with a bimetal thermal protection plate for a power receptacle shown with a power receptacle.  
The broken lines shown herein are included to show portions of the article and environment that form no part of the claimed design.

**1 Claim, 6 Drawing Sheets**



(56)

References Cited

U.S. PATENT DOCUMENTS

3,950,719 A \* 4/1976 Maxwell ..... H01H 36/0073  
 335/205  
 4,286,246 A \* 8/1981 Jacques, Jr. .... G04F 1/00  
 219/413  
 4,570,145 A \* 2/1986 Carey ..... F01P 11/20  
 337/113  
 4,847,587 A \* 7/1989 Muller ..... H01H 9/10  
 338/215  
 6,166,618 A \* 12/2000 Robertson ..... H01H 37/765  
 307/86  
 D486,791 S \* 2/2004 Franks, Jr. .... D13/133  
 D487,427 S \* 3/2004 Franks, Jr. .... D13/133  
 D508,676 S \* 8/2005 Franks, Jr. .... D13/133  
 7,232,971 B2 6/2007 Chen  
 7,241,176 B2 7/2007 Wang  
 7,385,473 B2 6/2008 Fabian et al.  
 D585,845 S \* 2/2009 Dennes ..... D13/175  
 7,501,926 B2 \* 3/2009 Watchorn ..... H01H 37/5409  
 337/113  
 D624,027 S \* 9/2010 Huang ..... D13/120

8,864,505 B2 10/2014 Chuang  
 9,178,300 B1 \* 11/2015 Huang ..... H01R 24/30  
 9,871,329 B1 \* 1/2018 Lacey ..... H01R 13/7137  
 2004/0219823 A1 \* 11/2004 Greene ..... H01R 13/465  
 439/488  
 2005/0287848 A1 \* 12/2005 Kurek ..... H01R 4/34  
 439/107  
 2006/0128232 A1 \* 6/2006 Kim ..... H01R 4/301  
 439/813  
 2015/0070126 A1 \* 3/2015 Bussa ..... H01H 37/32  
 337/413  
 2016/0204561 A1 \* 7/2016 Stephens ..... H01R 24/78  
 439/653  
 2016/0314924 A1 \* 10/2016 Gaodefroy ..... H01H 50/02

OTHER PUBLICATIONS

Photographs of Two Prior Art Products—Appliance Switch and Heat Protector Products with Bimetallic Strip—External and Disassembled Views (2 pages) (date unknown, but prior to filing date of the present application).

\* cited by examiner

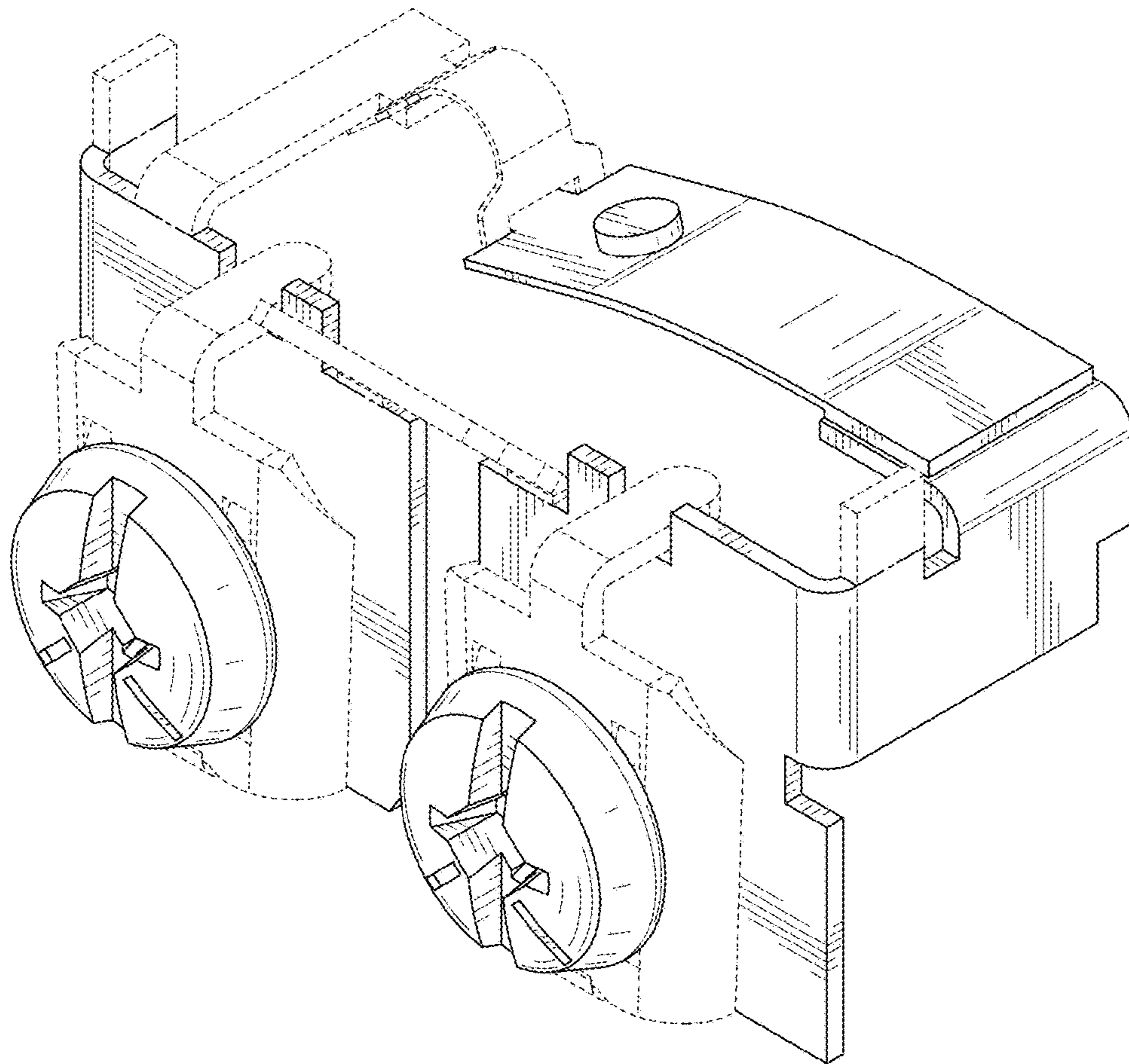


FIG. 1

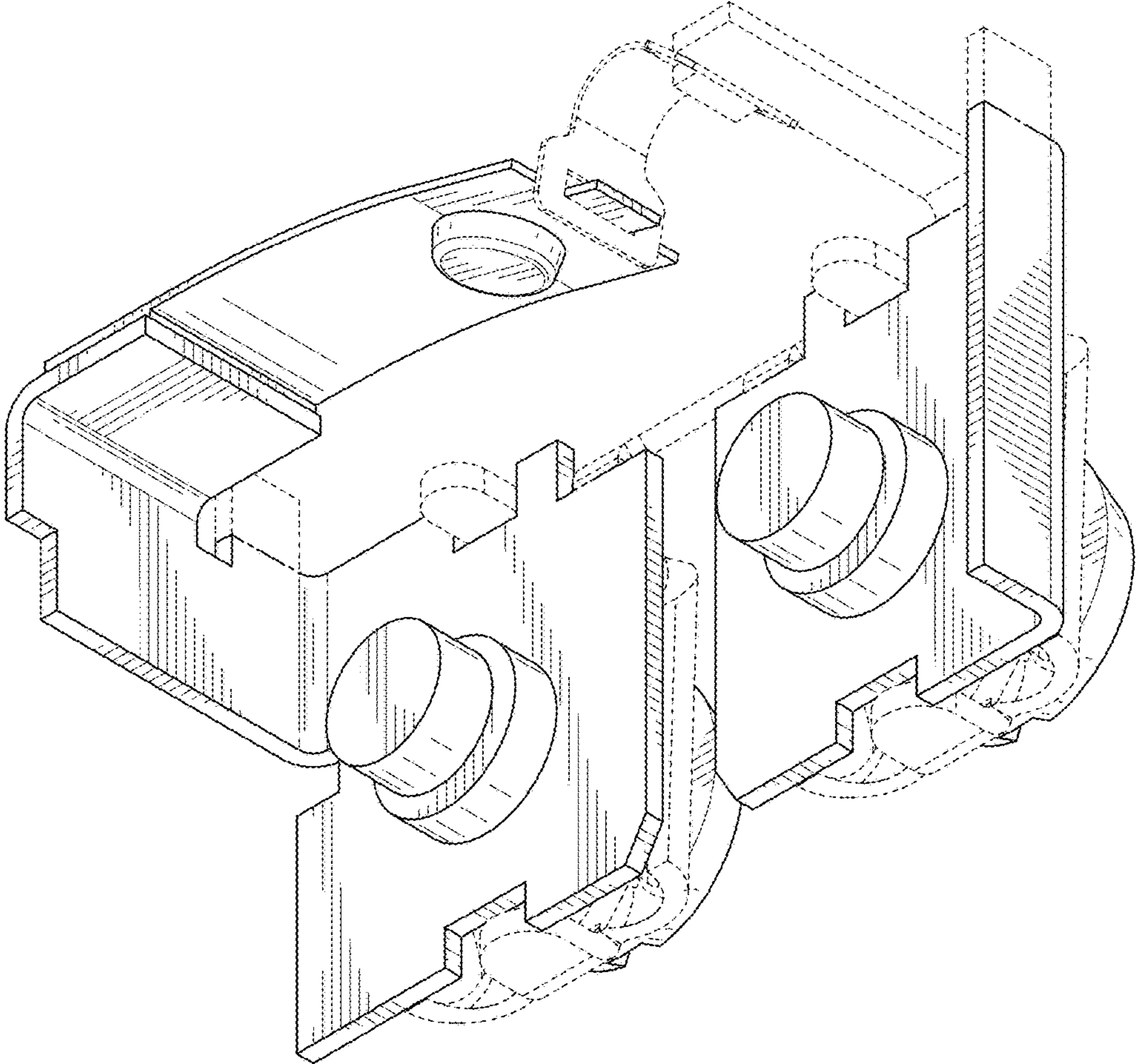


FIG. 2

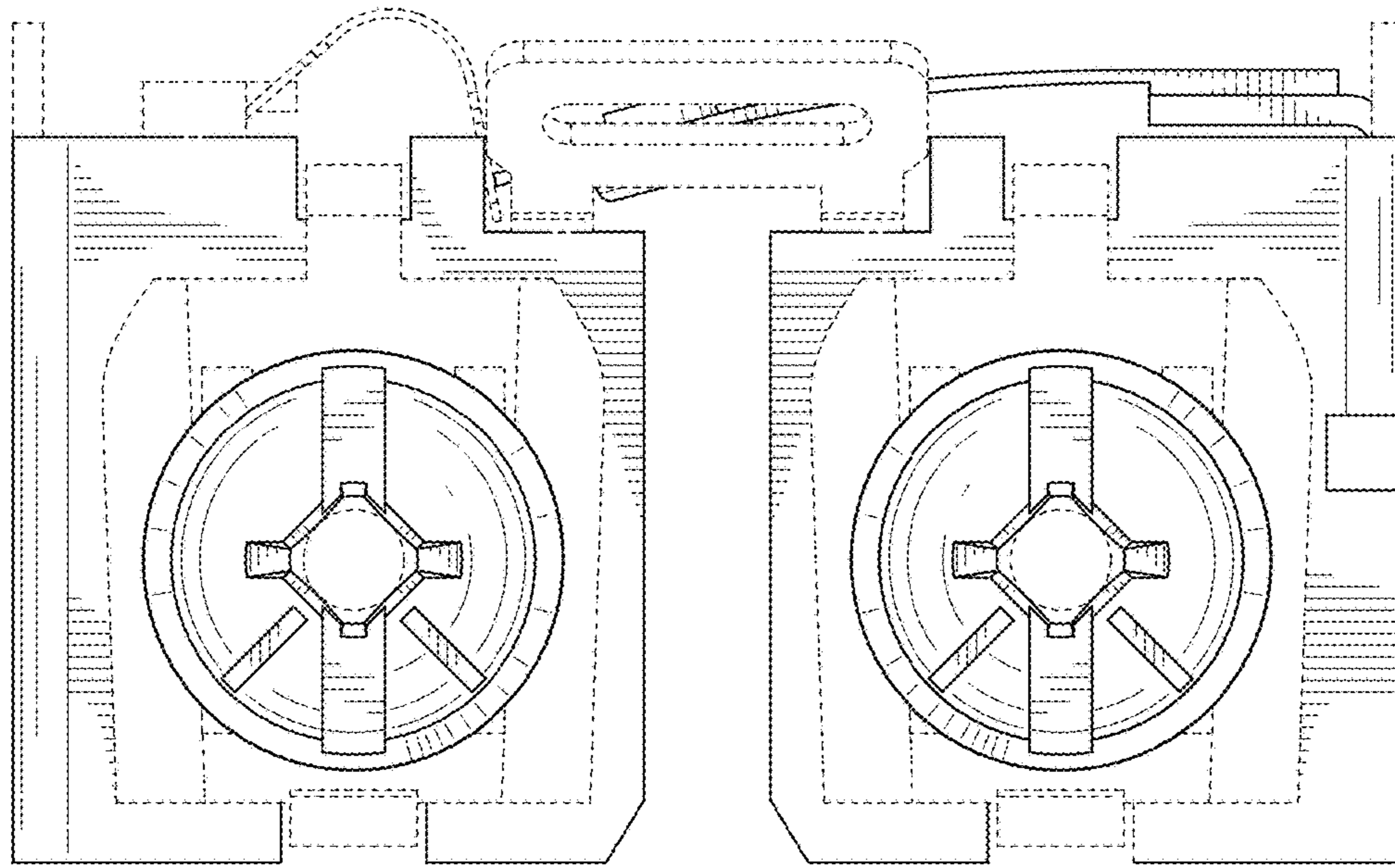


FIG. 3

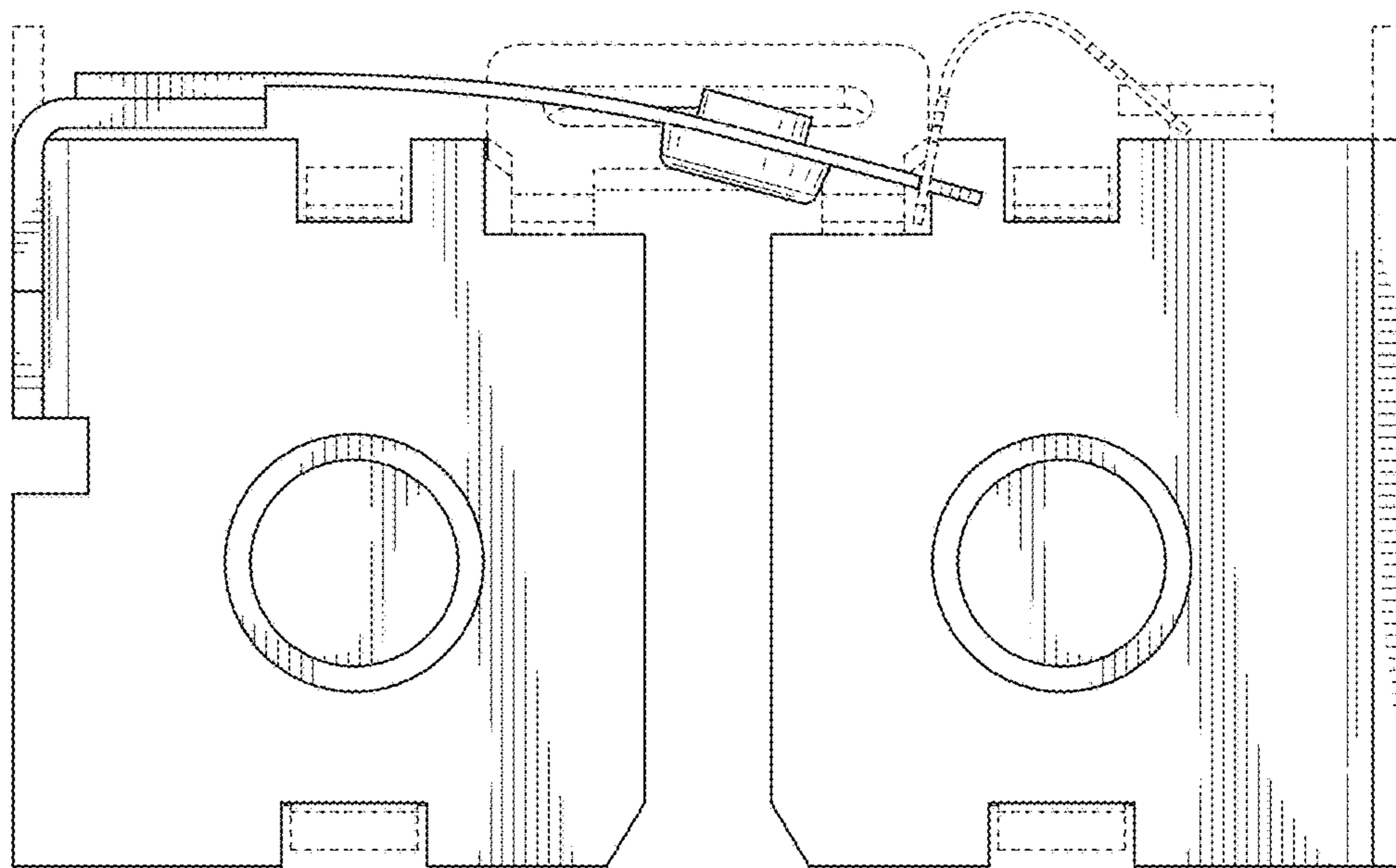


FIG. 4

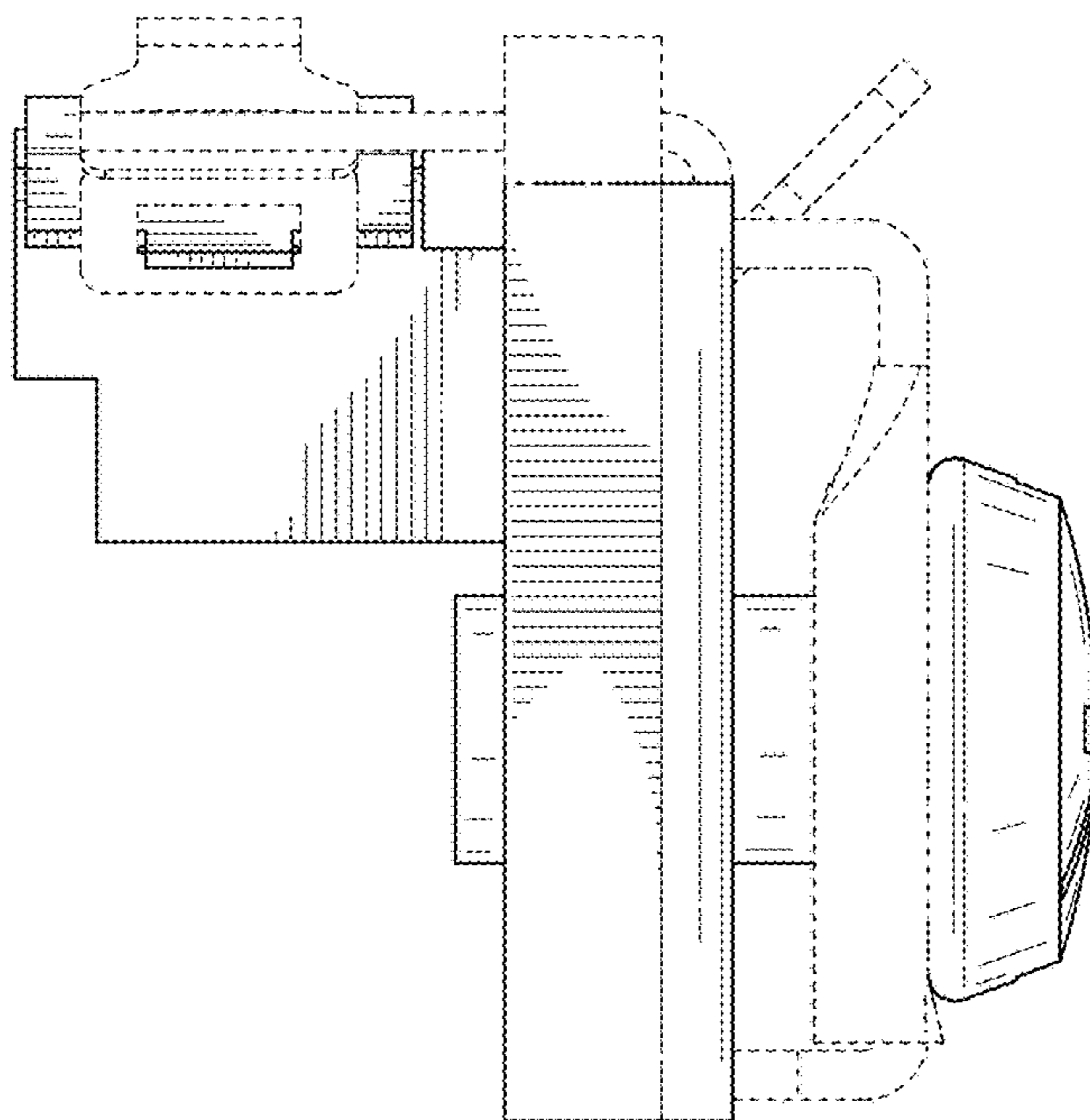


FIG. 5

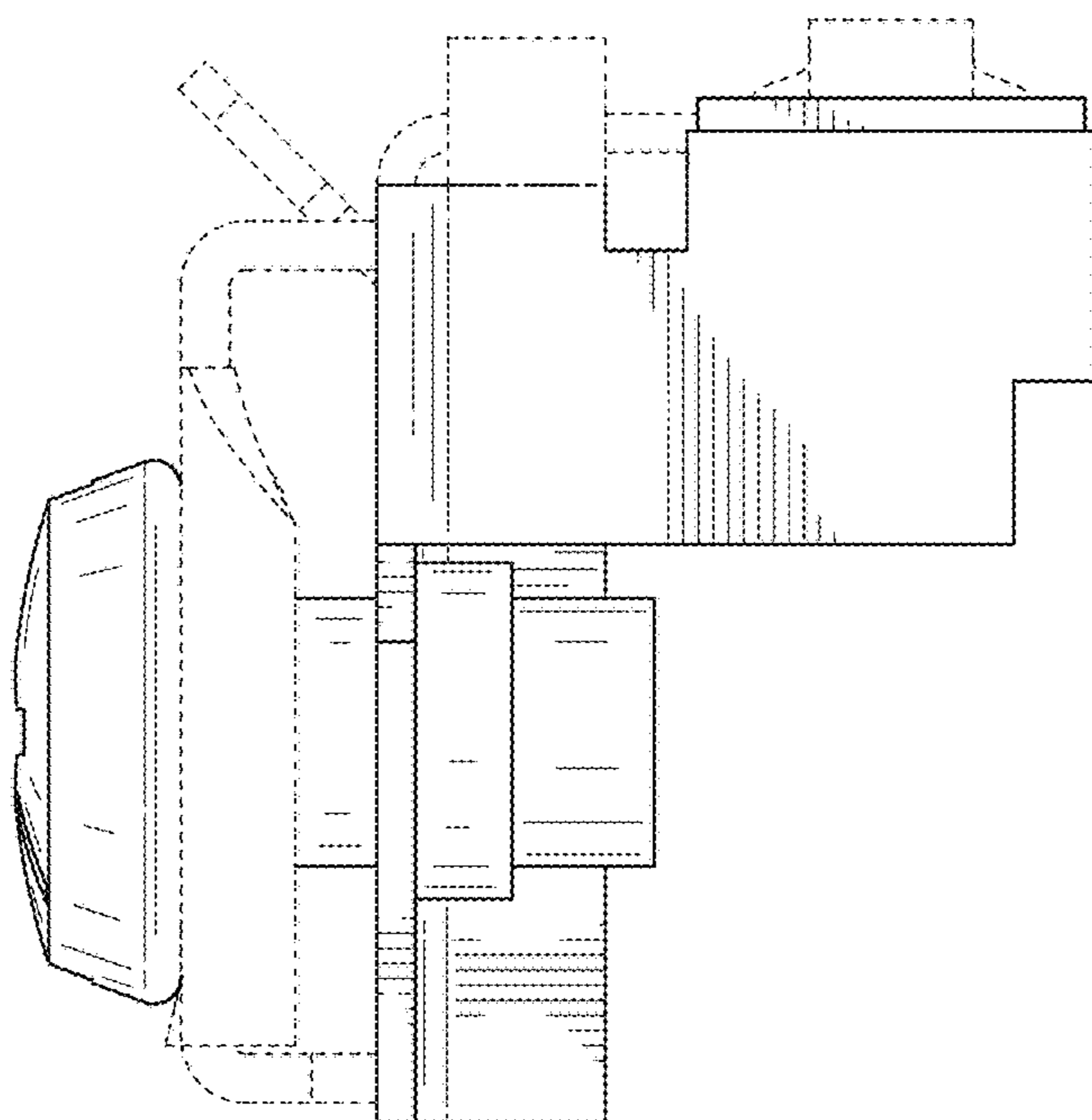


FIG. 6

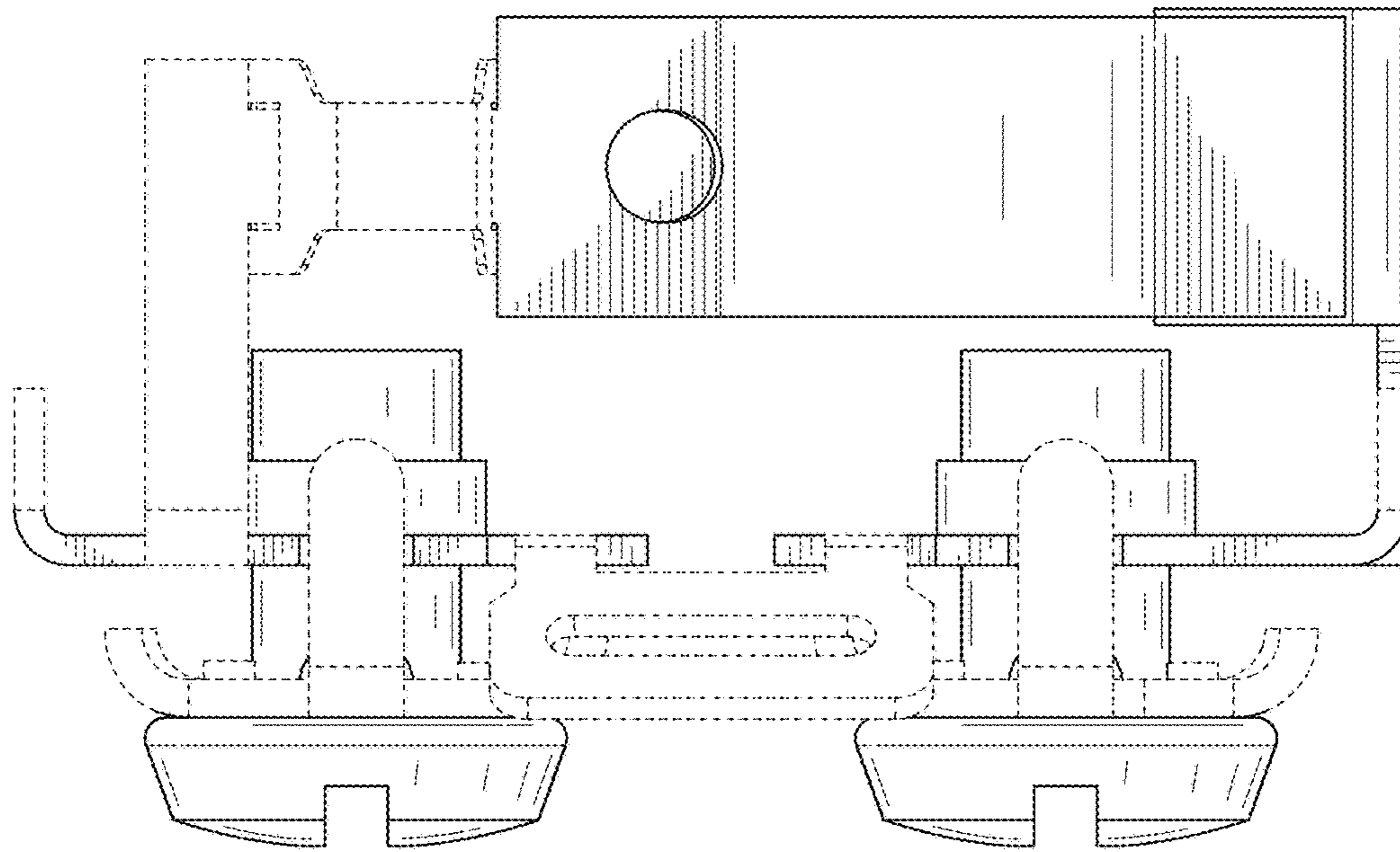


FIG. 7

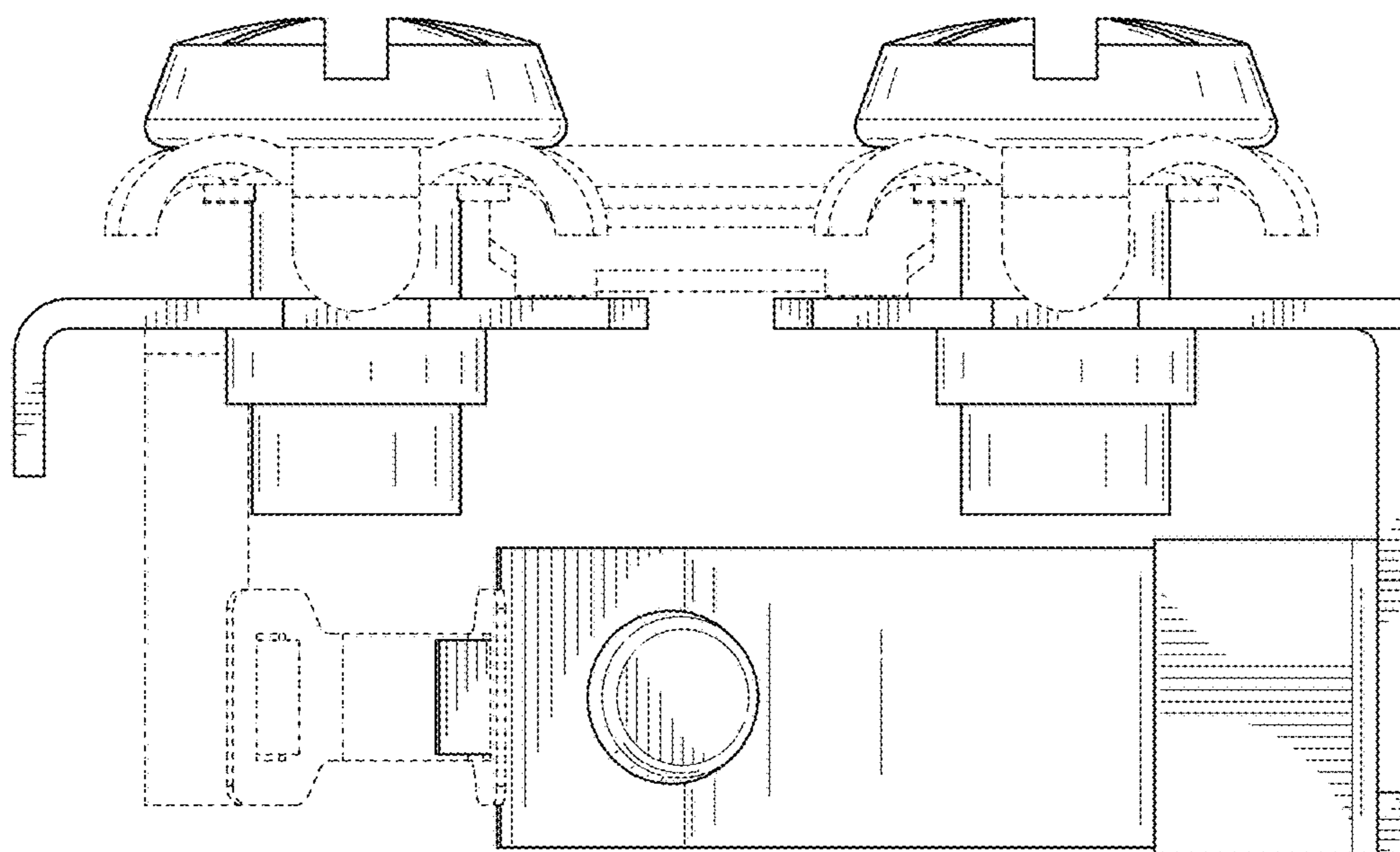


FIG. 8

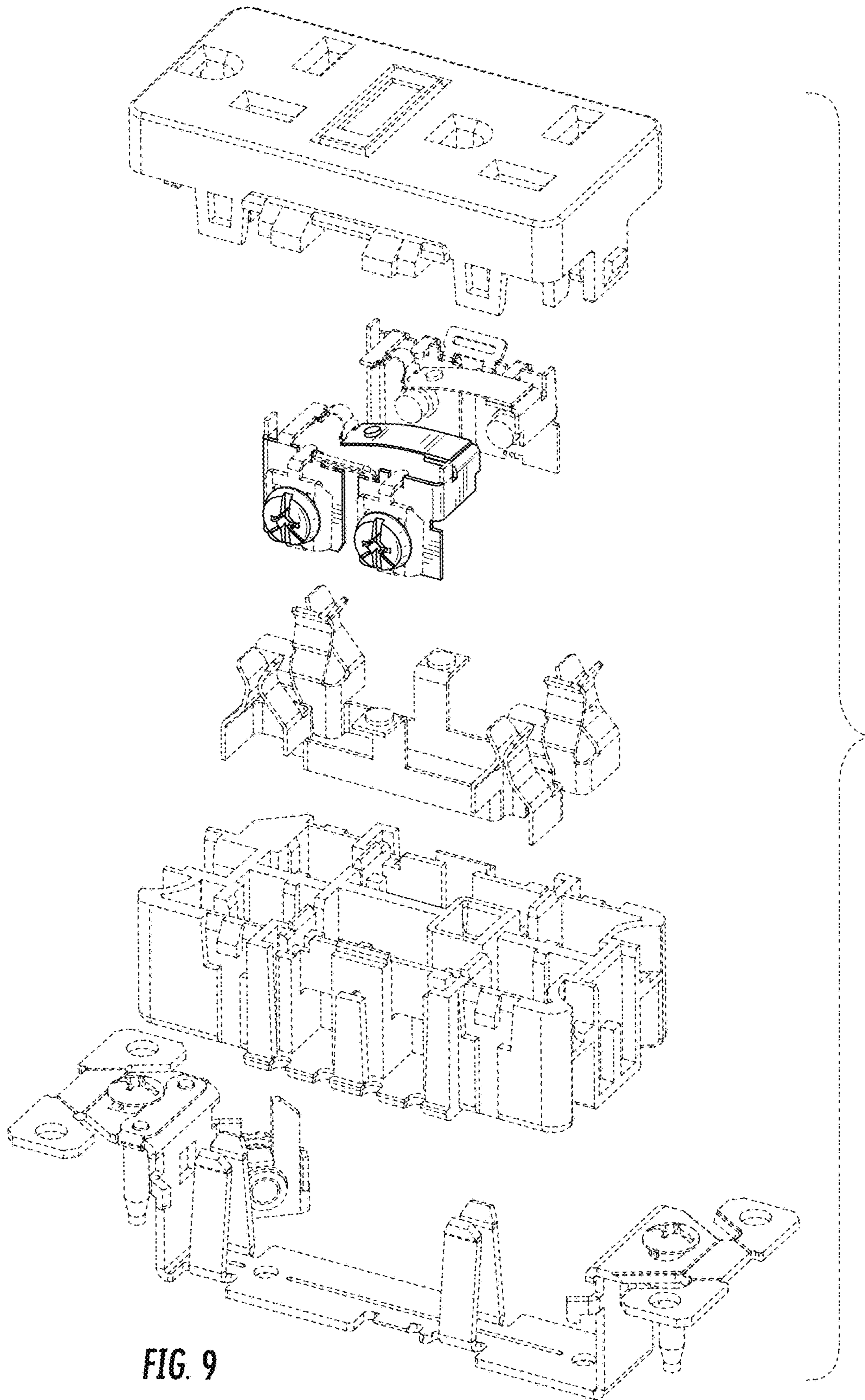


FIG. 9