



US00D852746S

(12) **United States Design Patent**  
**Demko**

(10) **Patent No.:** **US D852,746 S**  
(45) **Date of Patent:** **\*\* Jul. 2, 2019**

- (54) **NINE VOLT BATTERY SAFETY CAP**
- (71) Applicant: **Michael Demko**, Thunder Bay (CA)
- (72) Inventor: **Michael Demko**, Thunder Bay (CA)
- (\*\*) Term: **15 Years**
- (21) Appl. No.: **29/555,365**
- (22) Filed: **Feb. 21, 2016**
- (51) **LOC (11) Cl.** ..... **13-02**
- (52) **U.S. Cl.**  
USPC ..... **D13/119**
- (58) **Field of Classification Search**  
USPC ..... D13/103-106, 110, 119-121, 184, 199;  
429/96-100, 163, 176; D6/349  
CPC .... H01M 2/0222; H01M 2/1044; H01M 2/30;  
H01M 2/34; H01M 2/10; H01M 2/1083;  
H01M 8/00; H01R 11/284  
See application file for complete search history.

- 5,029,723 A \* 7/1991 Lo ..... B65D 43/0222  
220/231
- D321,856 S \* 11/1991 Whitley, II ..... 180/68.5
- D332,442 S \* 1/1993 Simpson, Sr. .... D13/119
- D337,211 S \* 7/1993 Bergkvist ..... D6/349
- 5,348,815 A 9/1994 Barker
- 5,403,677 A \* 4/1995 Lundie ..... H01M 2/344  
429/177
- 5,451,113 A \* 9/1995 Lund ..... A45D 40/06  
206/385
- 6,093,056 A 7/2000 Donauer et al.
- D430,108 S \* 8/2000 Lee ..... D13/119
- D490,375 S \* 5/2004 Pomerance ..... D13/119
- D506,065 S \* 6/2005 Sugino ..... D13/103
- D553,980 S \* 10/2007 VerWeyst ..... D9/432

(Continued)

**OTHER PUBLICATIONS**

Rapidonline.com. Keystone Protective Battery Cap. <https://www.rapidonline.com/catalogue/search?Query=keystone%20protective%20battery%20cap>. date published: Jul. 9, 2015 date accessed: Aug. 1, 2018. (Year: 2015).\*

*Primary Examiner* — Derrick E Holland  
*Assistant Examiner* — Jennifer O King

(56) **References Cited**

**U.S. PATENT DOCUMENTS**

- D25,962 S \* 8/1896 Springer ..... D9/432
- 1,369,819 A \* 3/1921 Krause ..... B65D 43/0222  
220/282
- 2,022,090 A \* 11/1935 Roberts ..... H01M 2/0434  
429/177
- D157,319 S \* 2/1950 Bair ..... 248/163.1
- 3,473,965 A 10/1969 Barge
- 3,655,456 A 4/1972 Hamel
- D244,511 S \* 5/1977 Frisbey ..... D9/432
- D245,691 S \* 9/1977 White ..... D13/119
- D271,000 S \* 10/1983 Rimer ..... D9/420
- D275,141 S \* 8/1984 Andersson ..... D3/304
- D281,484 S \* 11/1985 Dickes ..... D9/432
- 4,667,872 A \* 5/1987 Desmond ..... B65D 5/2019  
229/106
- 4,880,713 A 11/1989 Levine
- 4,984,940 A \* 1/1991 Bryant ..... B23B 27/145  
407/119
- 5,021,305 A 6/1991 Turner

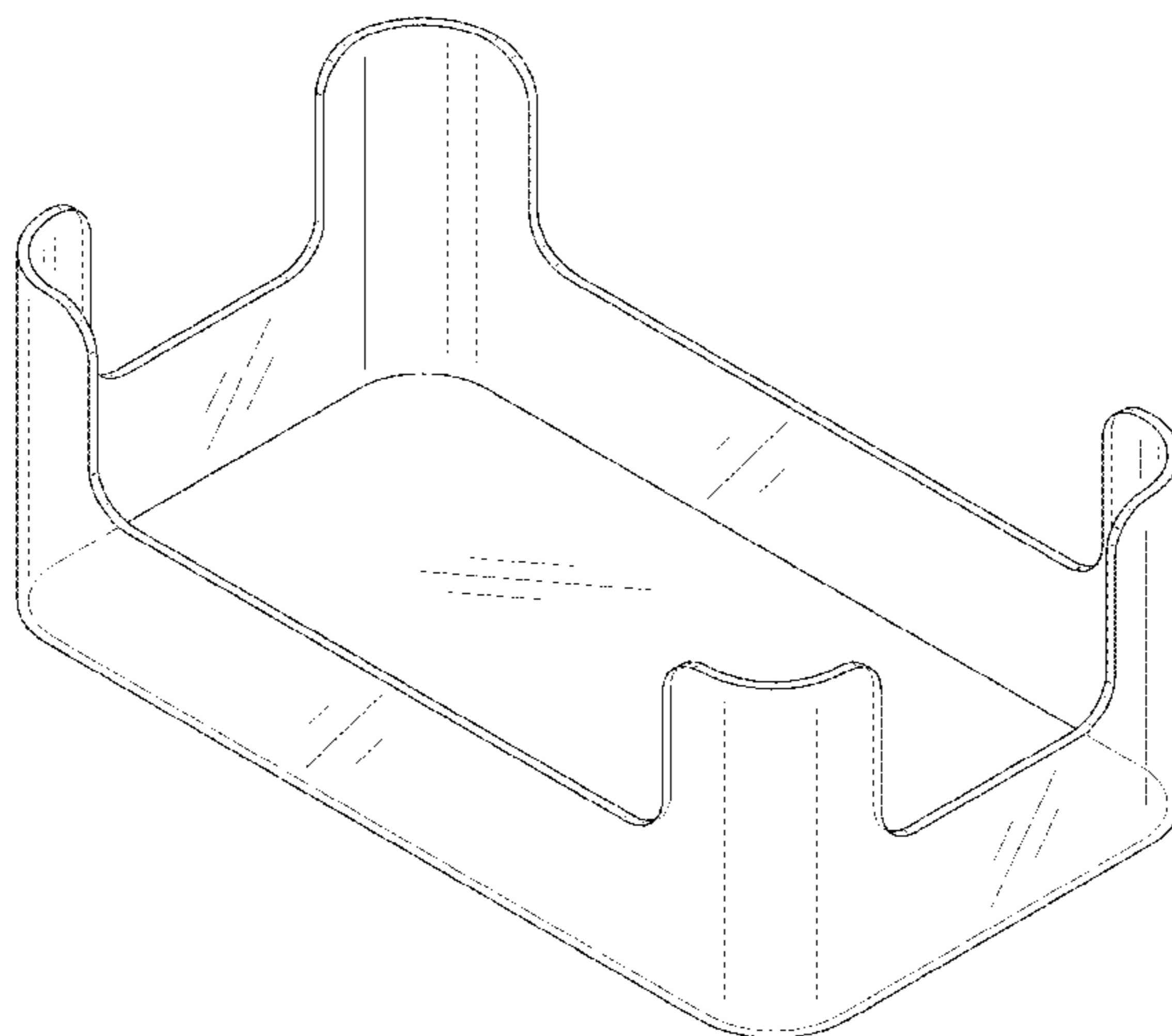
(57) **CLAIM**

The ornamental design for a nine volt battery cap, as shown and described.

**DESCRIPTION**

FIG. 1 is a front view of a nine volt battery safety cap, a back view being identical;  
FIG. 2 is a left side view thereof, the right side view being identical;  
FIG. 3 is a top view thereof;  
FIG. 4 is a bottom view thereof; and,  
FIG. 5 is a top front side perspective view thereof.

**1 Claim, 3 Drawing Sheets**



(56)

**References Cited**

U.S. PATENT DOCUMENTS

7,287,648 B2 \* 10/2007 Foreman ..... B65D 21/0204  
206/462  
D623,407 S \* 9/2010 Raile ..... D3/263  
D631,828 S 2/2011 Onnerud et al.  
D659,293 S \* 5/2012 Ferguson ..... D30/108  
D720,696 S \* 1/2015 Huang ..... D13/119  
D727,044 S \* 4/2015 Tu ..... D6/349  
9,190,193 B1 \* 11/2015 Reitzel ..... H01B 17/38  
D750,909 S \* 3/2016 Hickman ..... D3/304  
D778,156 S \* 2/2017 Follett ..... D9/432  
D783,284 S \* 4/2017 Hecht ..... D3/304  
10,056,585 B2 \* 8/2018 Oota ..... H01M 2/1055

\* cited by examiner

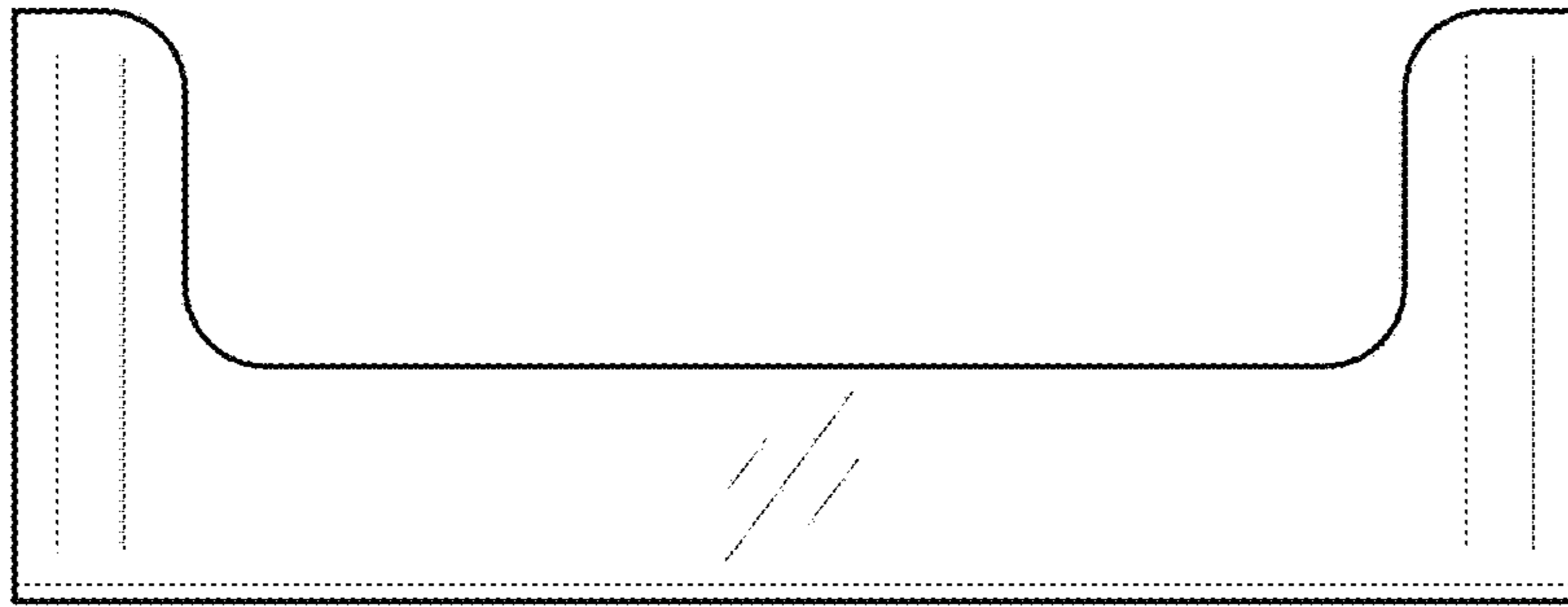


FIG. 1

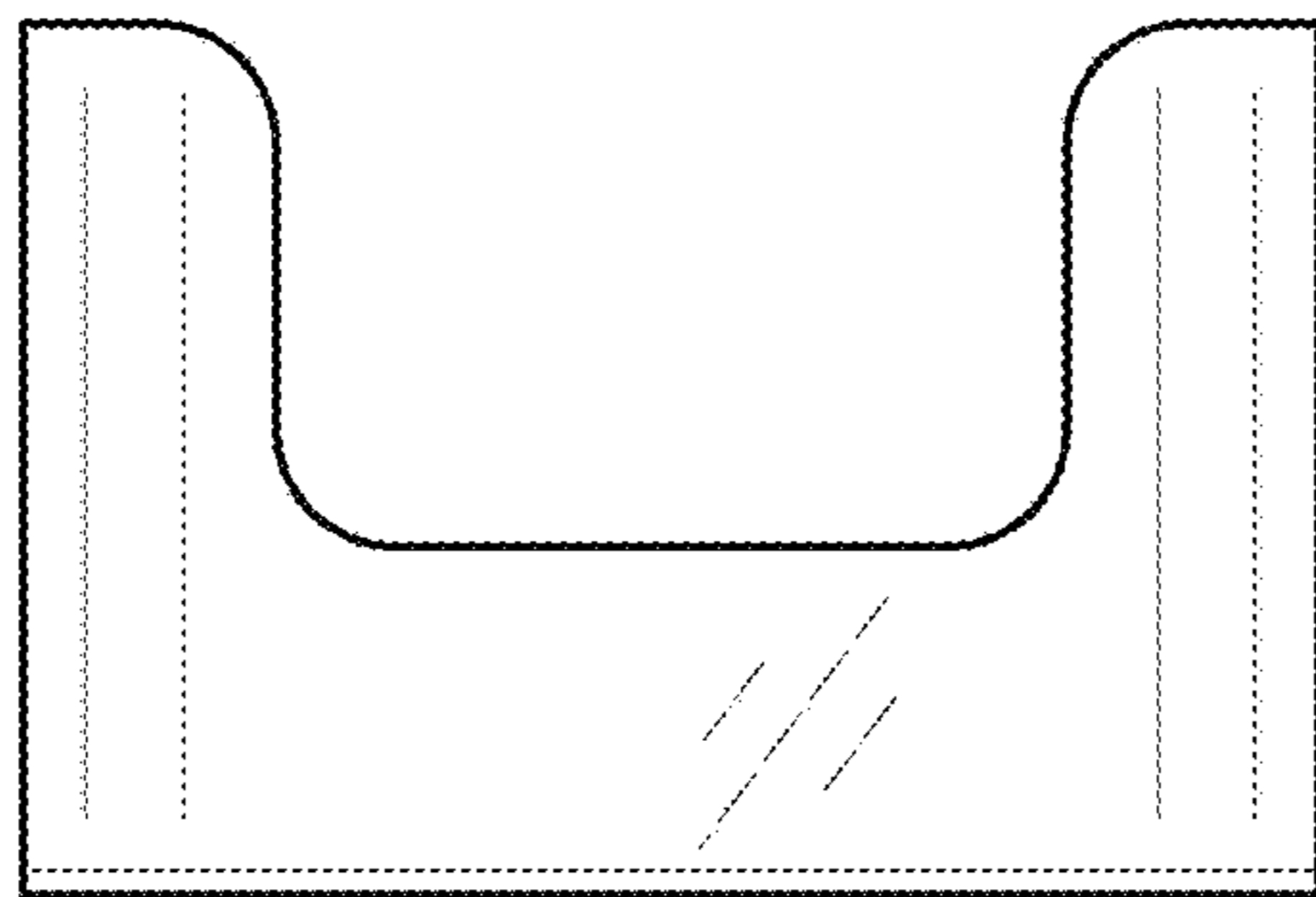


FIG. 2

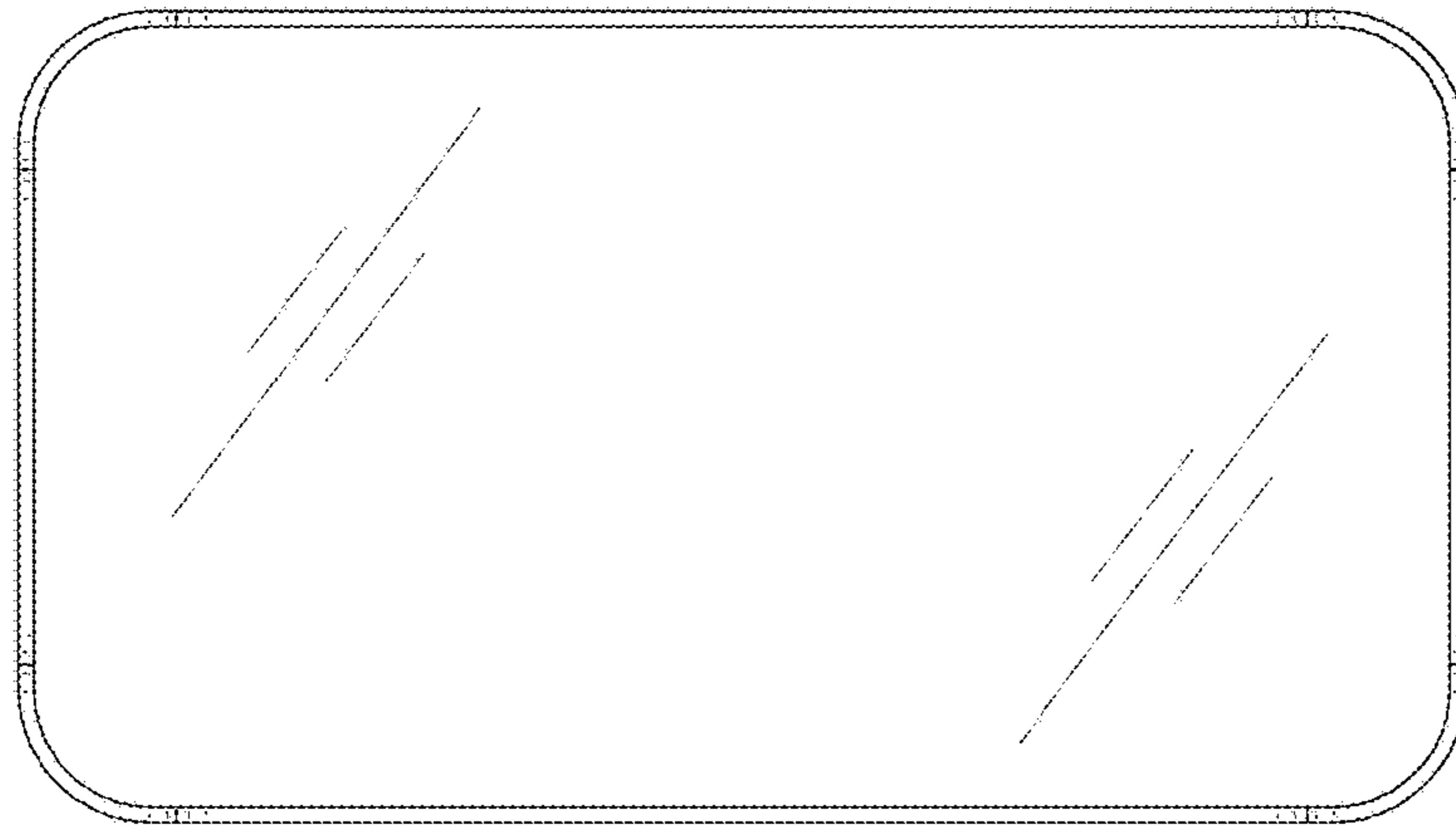


FIG. 3



FIG. 4

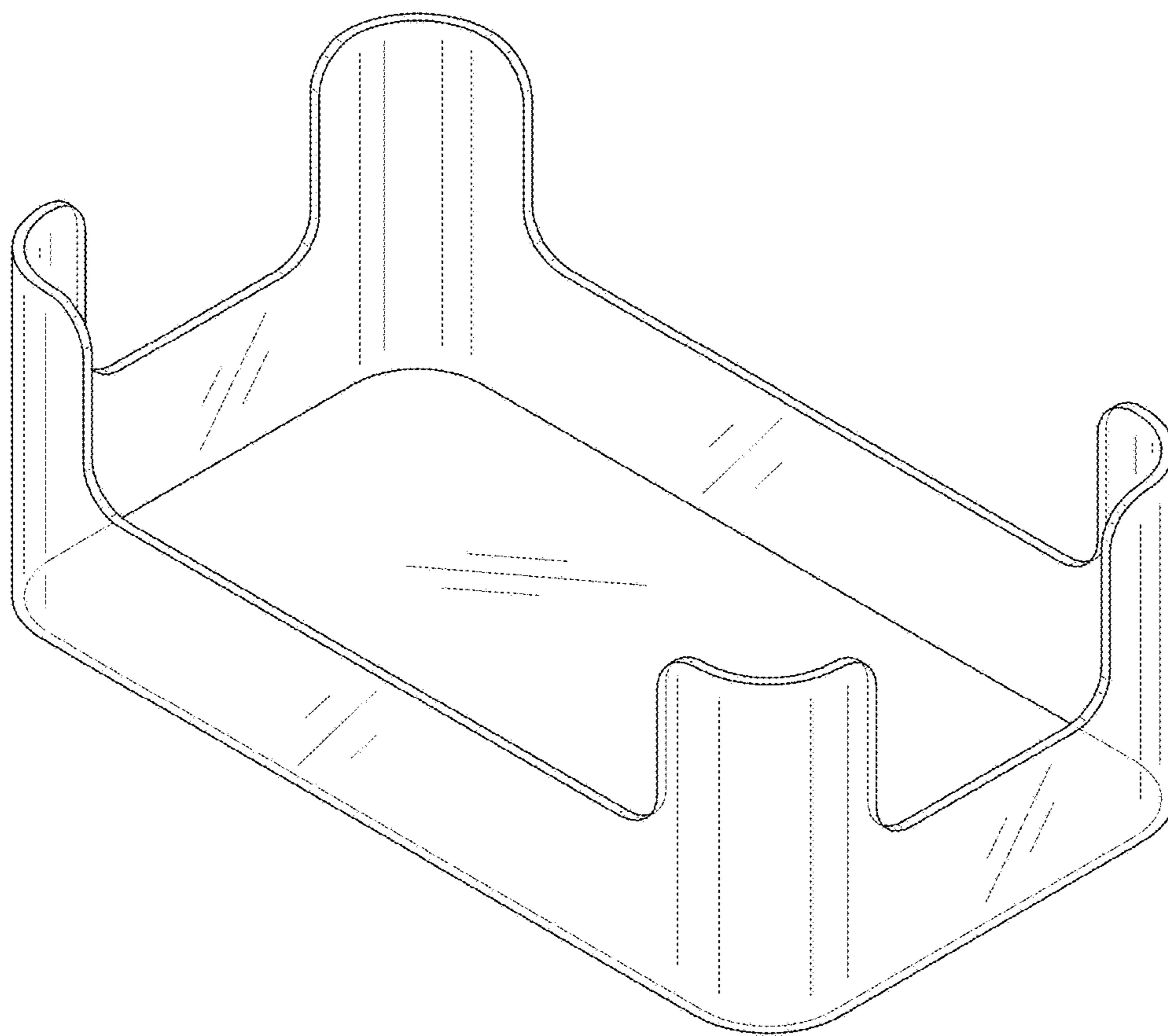


FIG. 5