

US00D852741S

(12) **United States Design Patent**
Trachtenberg et al.

(10) **Patent No.:** **US D852,741 S**
(45) **Date of Patent:** **** Jul. 2, 2019**

- (54) **POWER ADAPTER**
- (71) Applicants: **Marc Trachtenberg**, New York, NY (US); **Francois Gariepy**, Westmount (CA)
- (72) Inventors: **Marc Trachtenberg**, New York, NY (US); **Francois Gariepy**, Westmount (CA)
- (73) Assignee: **Videri Inc.**, New York, NY (US)
- (**) Term: **15 Years**
- (21) Appl. No.: **29/592,104**
- (22) Filed: **Jan. 26, 2017**
- (51) **LOC (11) Cl.** **13-02**
- (52) **U.S. Cl.**
USPC **D13/110**
- (58) **Field of Classification Search**
USPC D13/102-108, 110, 118, 119, 184, 199;
D14/250
CPC Y02E 60/12; Y02E 60/122; Y02E 60/124;
Y02E 60/50; H01M 2/02; H01M 2/022;
H01M 2/0202; H01M 2/0207; H01M 2/0212;
H01M 2/1061; H01M 2/1022; H01M 2/1055;
H01M 2/1066; H01M 2/105; H01M 2/204; H01M 10/4257;
H01M 10/0436; H01M 10/48; H02M 1/00; H02M 3/00;
H02M 5/00; H02M 7/00; H02M 11/00
See application file for complete search history.

- 6,881,069 B2 * 4/2005 Chen H01R 39/64
362/647
 - 7,300,302 B2 * 11/2007 Kajiwara H05K 5/0252
361/704
 - D575,228 S * 8/2008 So D13/110
 - D593,031 S * 5/2009 Miyatake D13/110
 - D615,929 S * 5/2010 Maurer D13/110
 - D632,650 S * 2/2011 Rashid D13/110
 - D639,736 S * 6/2011 Su D13/110
 - D657,310 S * 4/2012 Fahrendorff D13/110
 - D660,229 S * 5/2012 Tseng D13/110
- (Continued)

OTHER PUBLICATIONS

Amazon.com: SMAKN Power Supply AC to DC Adapter Car Cigarette Lighter Socket. Published Apr. 28, 2015. Retrieved from the internet at <<https://www.amazon.com/Adapter-Cigarette-Lighter-Charger-Vehicle/dp/B00WS0PWE4/>>, Nov. 8, 2018. 1 page. (Year: 2015).*

(Continued)

Primary Examiner — Rosemary K Tarcza
Assistant Examiner — Christy M Nemeth
(74) *Attorney, Agent, or Firm* — Pryor Cashman LLP

(57) **CLAIM**

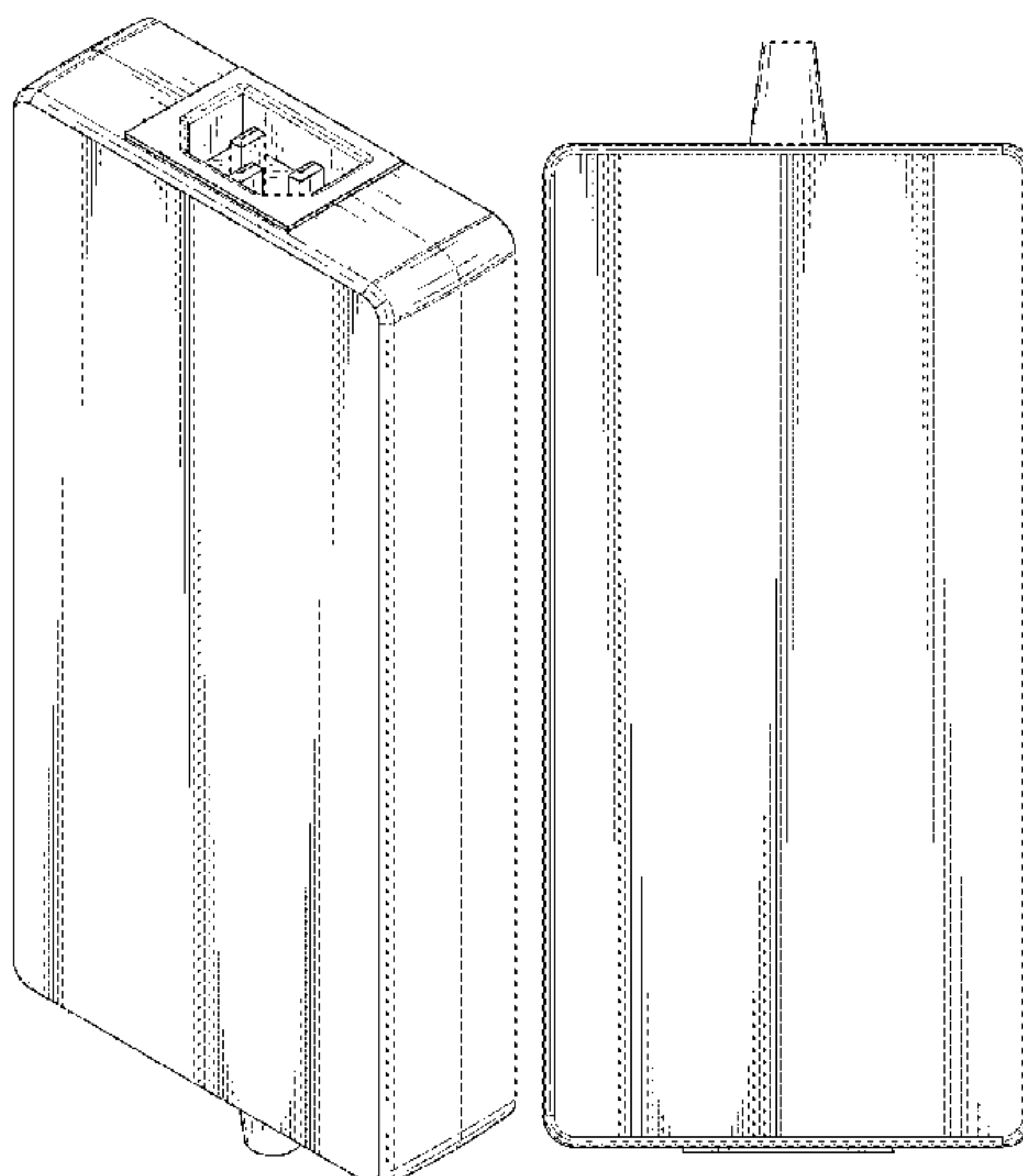
The ornamental design for a power adapter, substantially as shown and described.

DESCRIPTION

FIG. 1 is a top-back-right side perspective view of a power adapter of our design;
FIG. 2 is a top view thereof;
FIG. 3 is a bottom view thereof;
FIG. 4 is a front view thereof;
FIG. 5 is a right side view thereof;
FIG. 6 is a back view thereof; and,
FIG. 7 is a left side view thereof.

1 Claim, 4 Drawing Sheets

- (56) **References Cited**
U.S. PATENT DOCUMENTS
D383,732 S * 9/1997 Haley D14/435
D469,402 S * 1/2003 Bukiri D13/137.1
D479,823 S * 9/2003 Andre D13/110
6,776,650 B2 * 8/2004 Cheng H01R 13/6658
361/679.46
D503,679 S * 4/2005 Andre D13/110



(56)

References Cited

U.S. PATENT DOCUMENTS

8,531,174 B2 * 9/2013 Sharifipour H02M 7/003
320/160
D702,185 S * 4/2014 Yata D13/110
D705,726 S * 5/2014 Lee D13/110
D720,687 S * 1/2015 Hasbrook D13/103
D721,646 S * 1/2015 Kim D13/103
D788,037 S * 5/2017 Hung D13/110
2002/0130559 A1 * 9/2002 Lin H01R 31/06
307/151
2002/0137388 A1 * 9/2002 Liu H01R 13/72
439/501
2010/0038113 A1 * 2/2010 Huang H02G 3/32
174/135
2011/0157939 A1 * 6/2011 Wang H02M 1/00
363/125
2012/0139511 A1 * 6/2012 Chou H01R 29/00
323/267

OTHER PUBLICATIONS

Amazon.com: InstallerCCTV 12V 5 Amp UL Listed AC DC 60W Power Adapter. Published Dec. 21, 2016. Retrieved from the internet at <<https://www.amazon.com/InstallerCCTV-2-1mmx5-5mm-Converter-Lighting-Transformer/dp/B01MT187L5/>>, Nov. 8, 2018. 1 page. (Year: 2016).*

* cited by examiner

FIG. 1

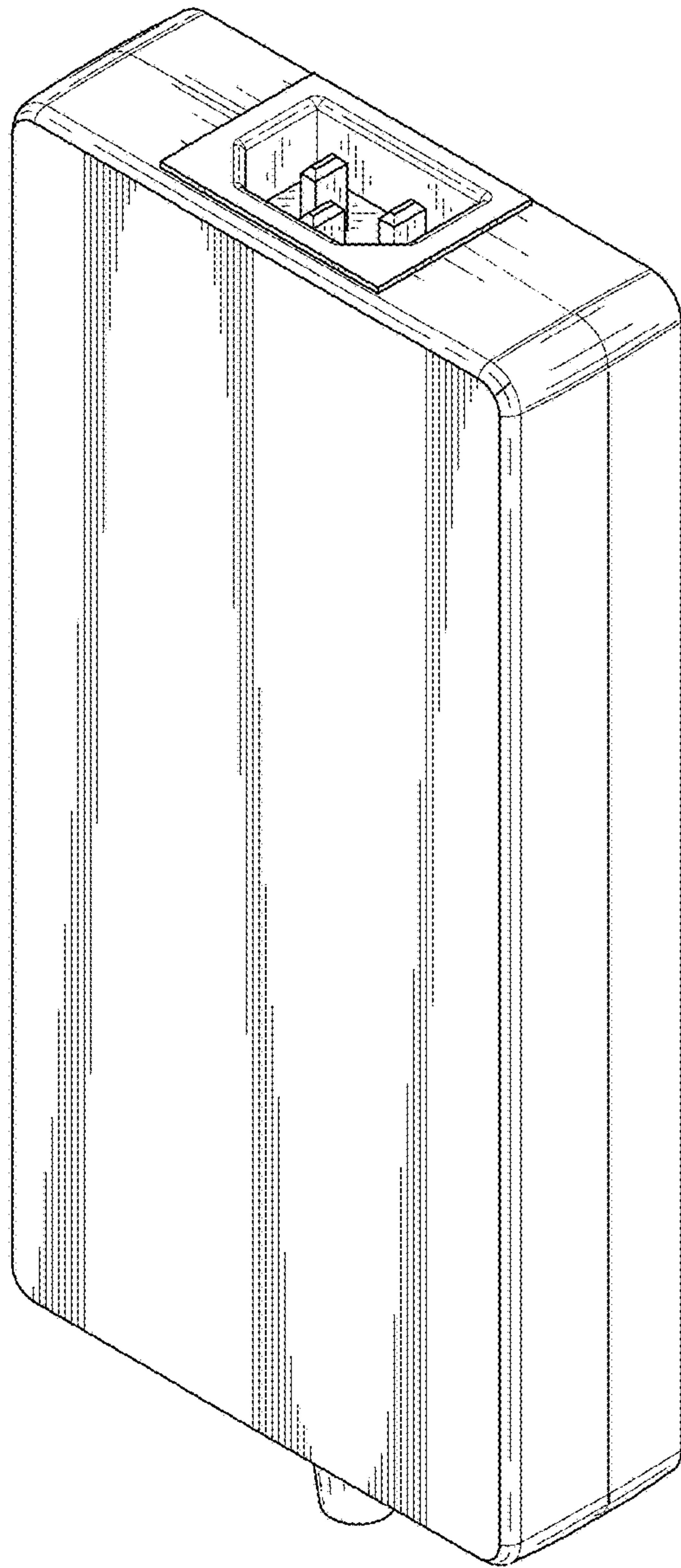


FIG. 2

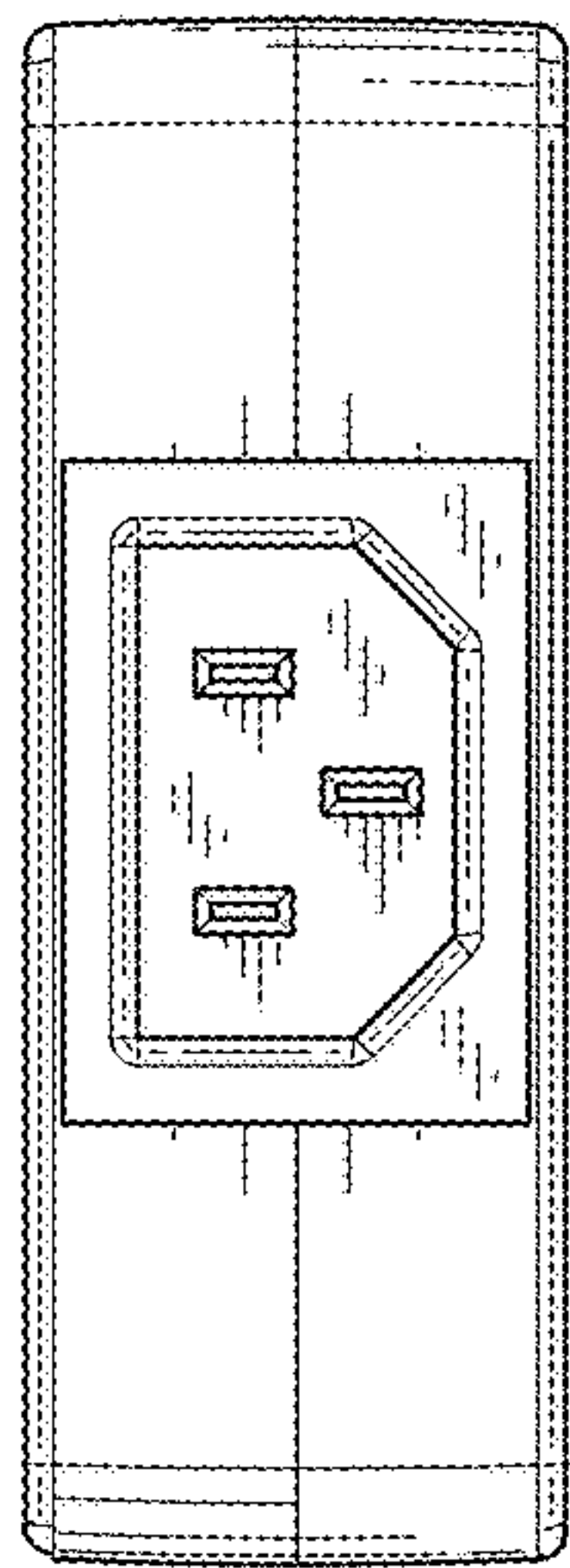


FIG. 3

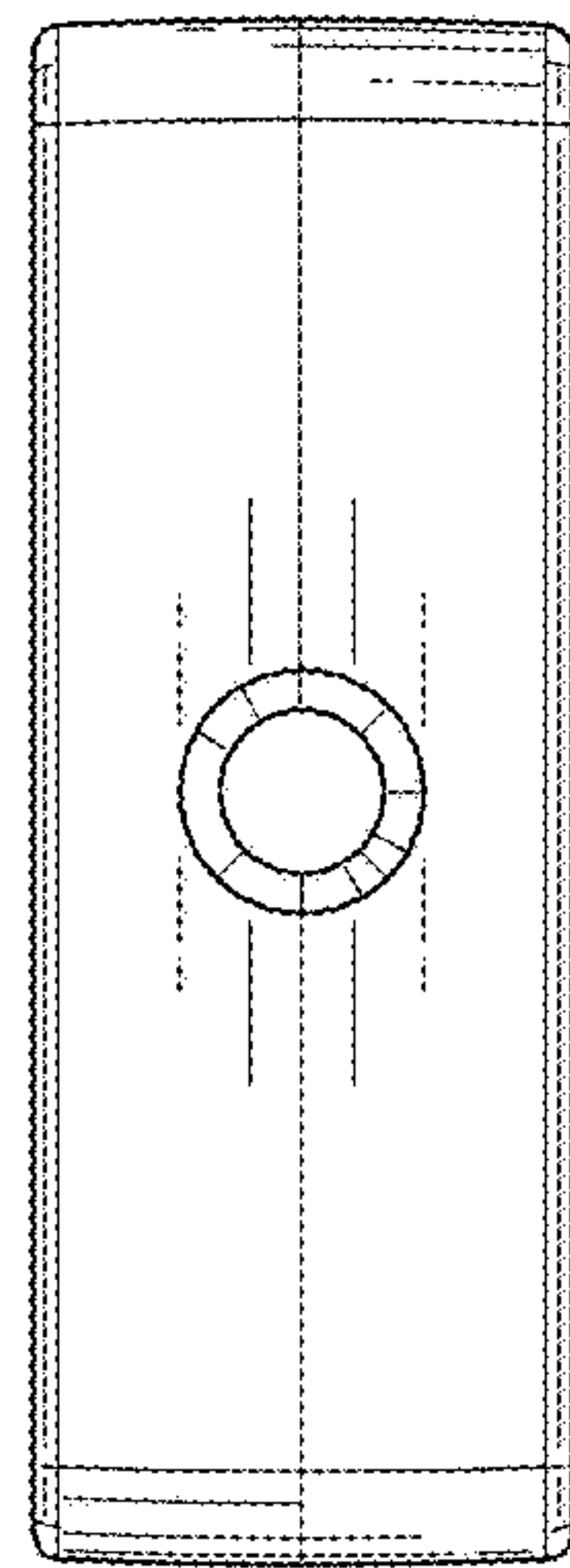


FIG. 4

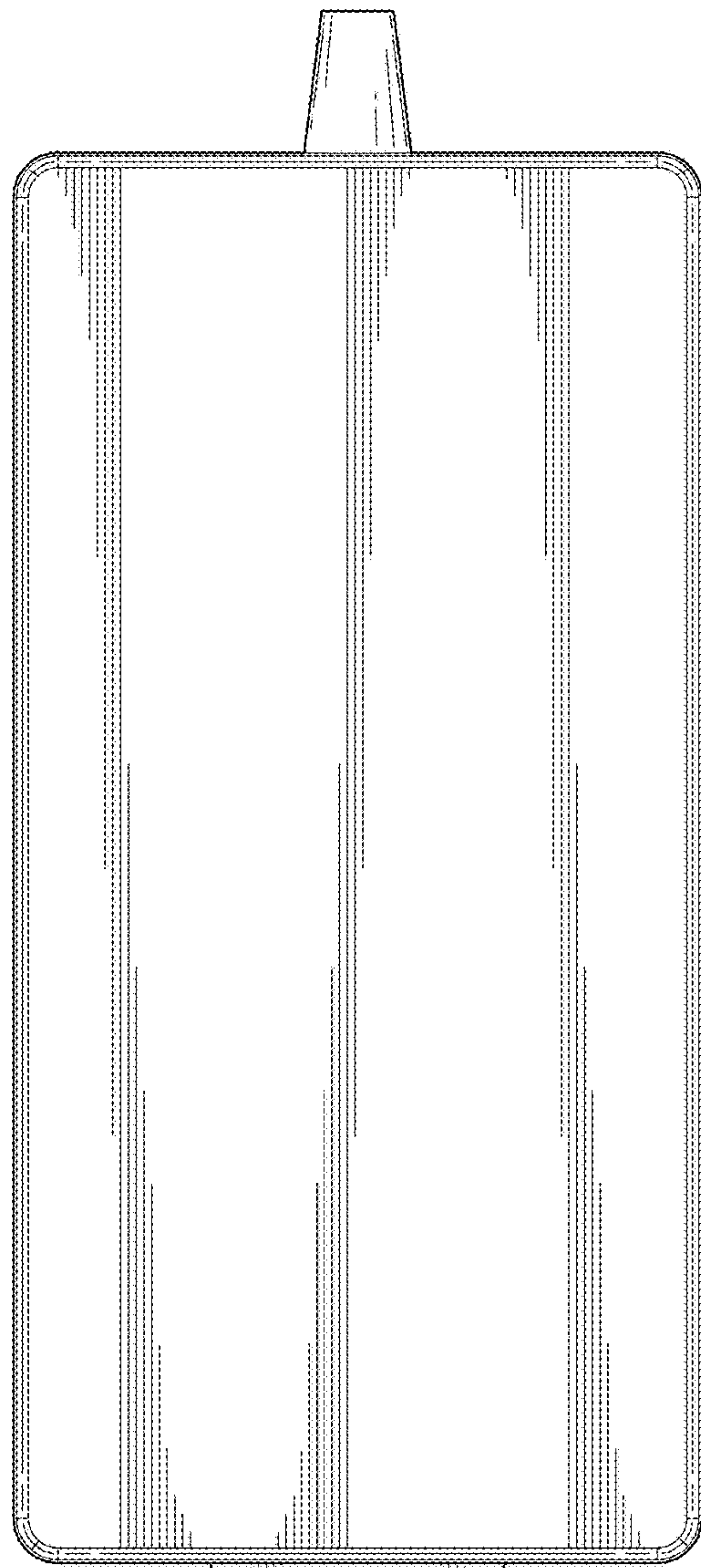


FIG. 5

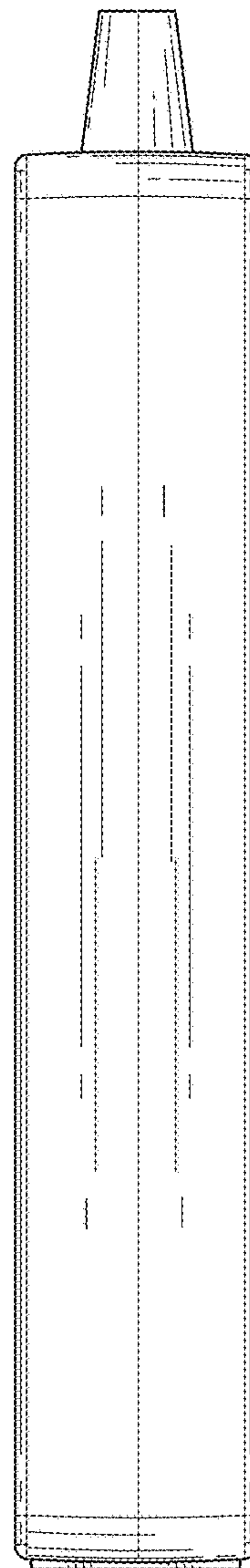


FIG. 6

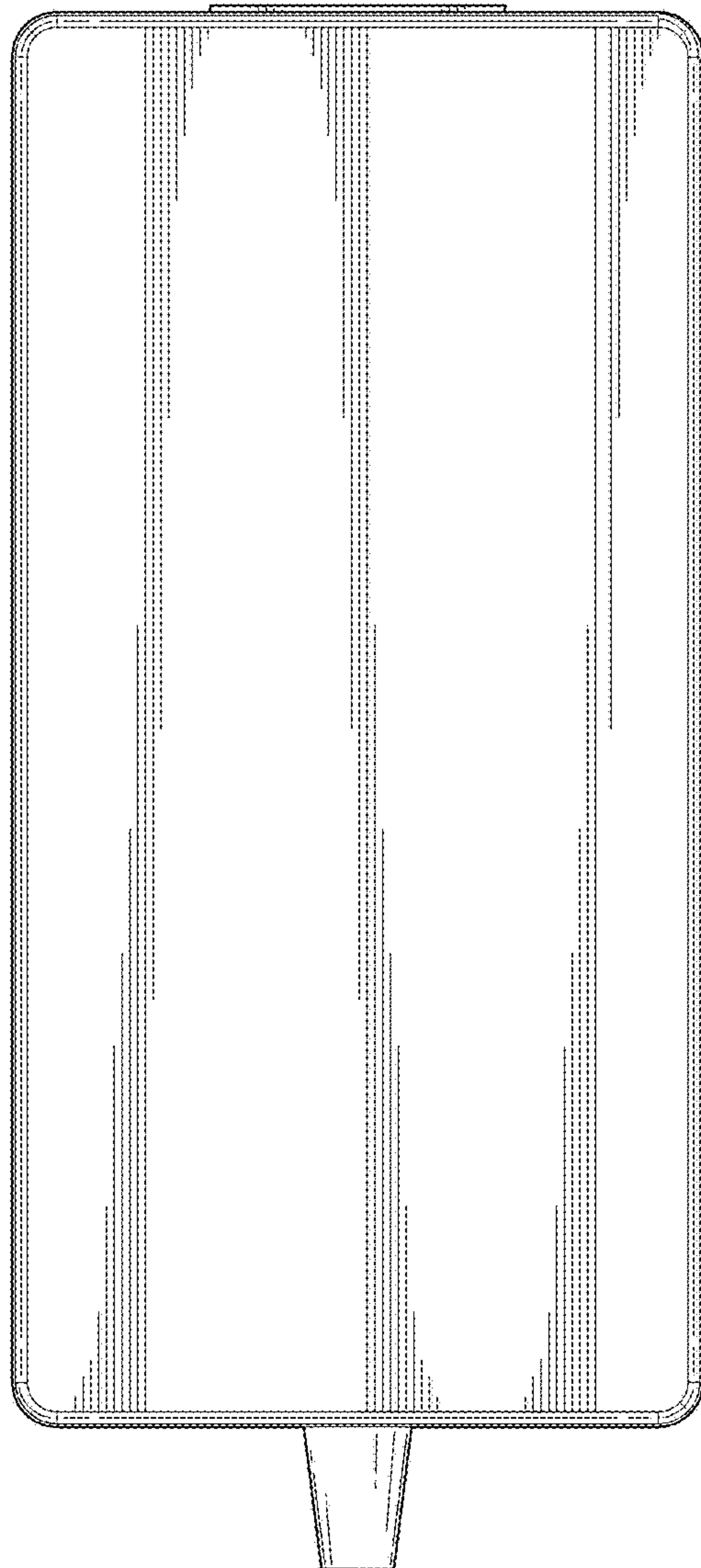


FIG. 7

