



US00D852735S

(12) **United States Design Patent**
Horiguchi

(10) **Patent No.:** **US D852,735 S**
(45) **Date of Patent:** **** Jul. 2, 2019**

- (54) **TIRE FOR AUTOMOBILE**
- (71) Applicant: **SUMITOMO RUBBER INDUSTRIES, LTD.**, Kobe-shi, Hyogo (JP)
- (72) Inventor: **Toshiki Horiguchi**, Kobe (JP)
- (73) Assignee: **SUMITOMO RUBBER INDUSTRIES, LTD.**, Kobe-Shi, Hyogo (JP)
- (**) Term: **15 Years**
- (21) Appl. No.: **29/648,647**
- (22) Filed: **May 23, 2018**

(30) **Foreign Application Priority Data**

Dec. 25, 2017 (JP) 2017-028812

(51) **LOC (11) Cl.** **12-15**

(52) **U.S. Cl.**
USPC **D12/605**

(58) **Field of Classification Search**
USPC D12/604, 605
CPC B60C 13/00; B60C 1/00
See application file for complete search history.

(56) **References Cited**

U.S. PATENT DOCUMENTS

D517,003 S	*	3/2006	Shondel	D12/605
D540,739 S	*	4/2007	Maxwell	D12/605
D541,211 S	*	4/2007	Shondel	D12/605
D543,933 S	*	6/2007	Shondel	D12/605
D552,537 S	*	10/2007	Franks	D12/605
D569,338 S	*	5/2008	Shondel	D12/605
D588,532 S	*	3/2009	Shondel	D12/605
D626,502 S	*	11/2010	Nakamura	D12/605

D629,745 S	*	12/2010	Shondel	D12/605
D639,728 S	*	6/2011	Ohashi	D12/605
D647,044 S	*	10/2011	Takemoto	D12/605
D668,210 S	*	10/2012	Sato	D12/605
D669,845 S	*	10/2012	Iwabuchi	D12/605
D670,644 S	*	11/2012	Miyazaki	D12/605
D671,066 S	*	11/2012	Morito	D12/605
D674,744 S	*	1/2013	Miyazaki	D12/605
D681,546 S	*	5/2013	Sato	D12/605
D681,547 S	*	5/2013	Sato	D12/605
D704,131 S	*	5/2014	Minami	D12/605
D708,120 S	*	7/2014	Iwabuchi	D12/605
D740,220 S	*	10/2015	Nakamura	D12/605
D749,499 S	*	2/2016	Iwabuchi	D12/605
D754,063 S	*	4/2016	Iwabuchi	D12/605
D777,656 S	*	1/2017	Maxwell	D12/605
D795,178 S	*	8/2017	Maxwell	D12/605
D803,773 S	*	11/2017	Neary	D12/605

* cited by examiner

Primary Examiner — Michelle E. Wilson

Assistant Examiner — Clese Moore, Jr.

(74) *Attorney, Agent, or Firm* — Birch, Stewart, Kolasch & Birch, LLP

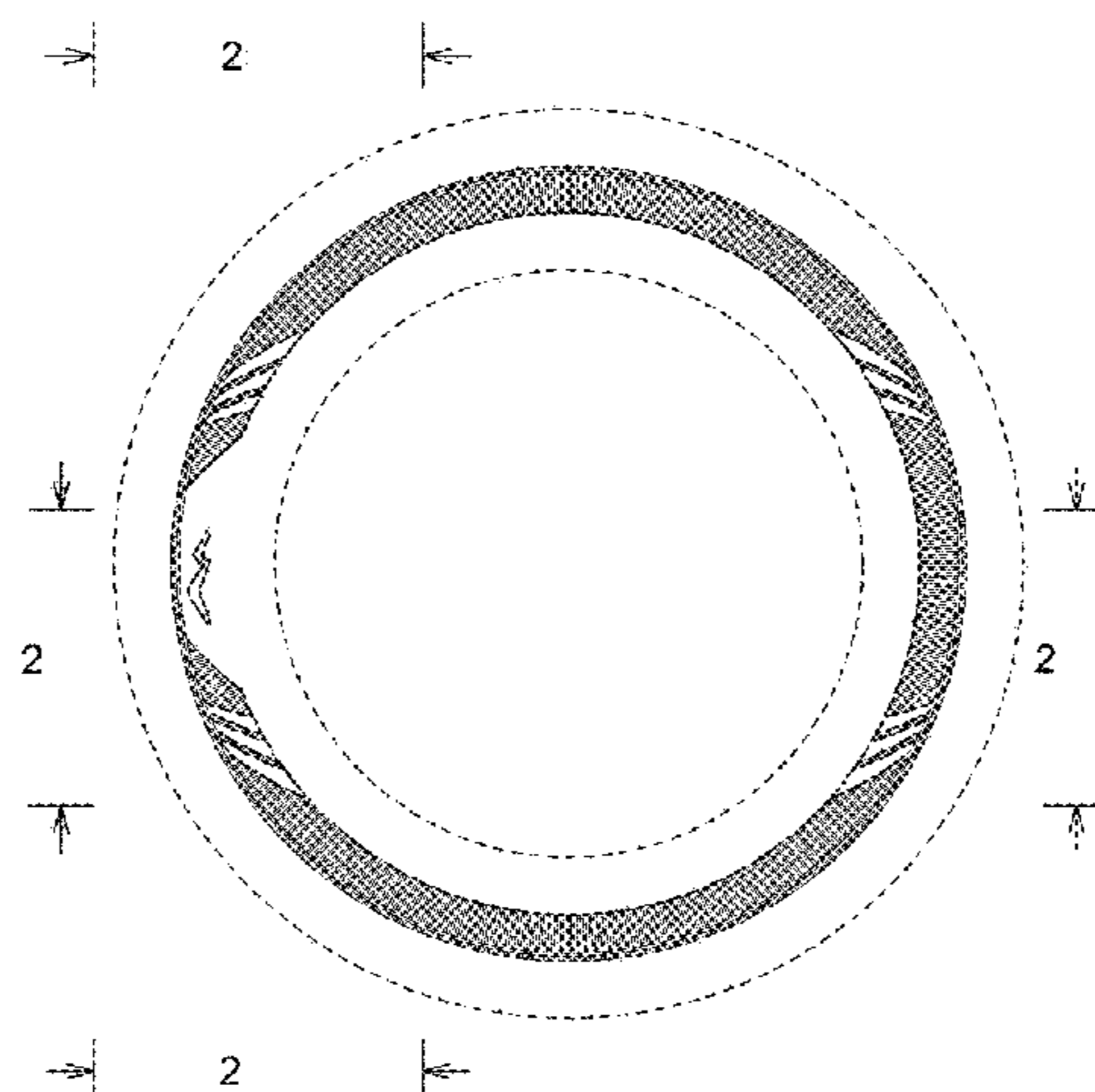
(57) **CLAIM**

The ornamental design for a tire for automobile, as shown and described.

DESCRIPTION

FIG. 1 is a front elevation view of a tire for automobile showing my new design;
 FIG. 2 is a partial enlarged view of portion 2-2 of FIG. 1;
 FIG. 3 is a rear elevation view thereof;
 FIG. 4 is a top plan view thereof;
 FIG. 5 is a bottom plan view thereof;
 FIG. 6 is a right side elevation view thereof; and,
 FIG. 7 is a left side elevation view thereof.

1 Claim, 7 Drawing Sheets



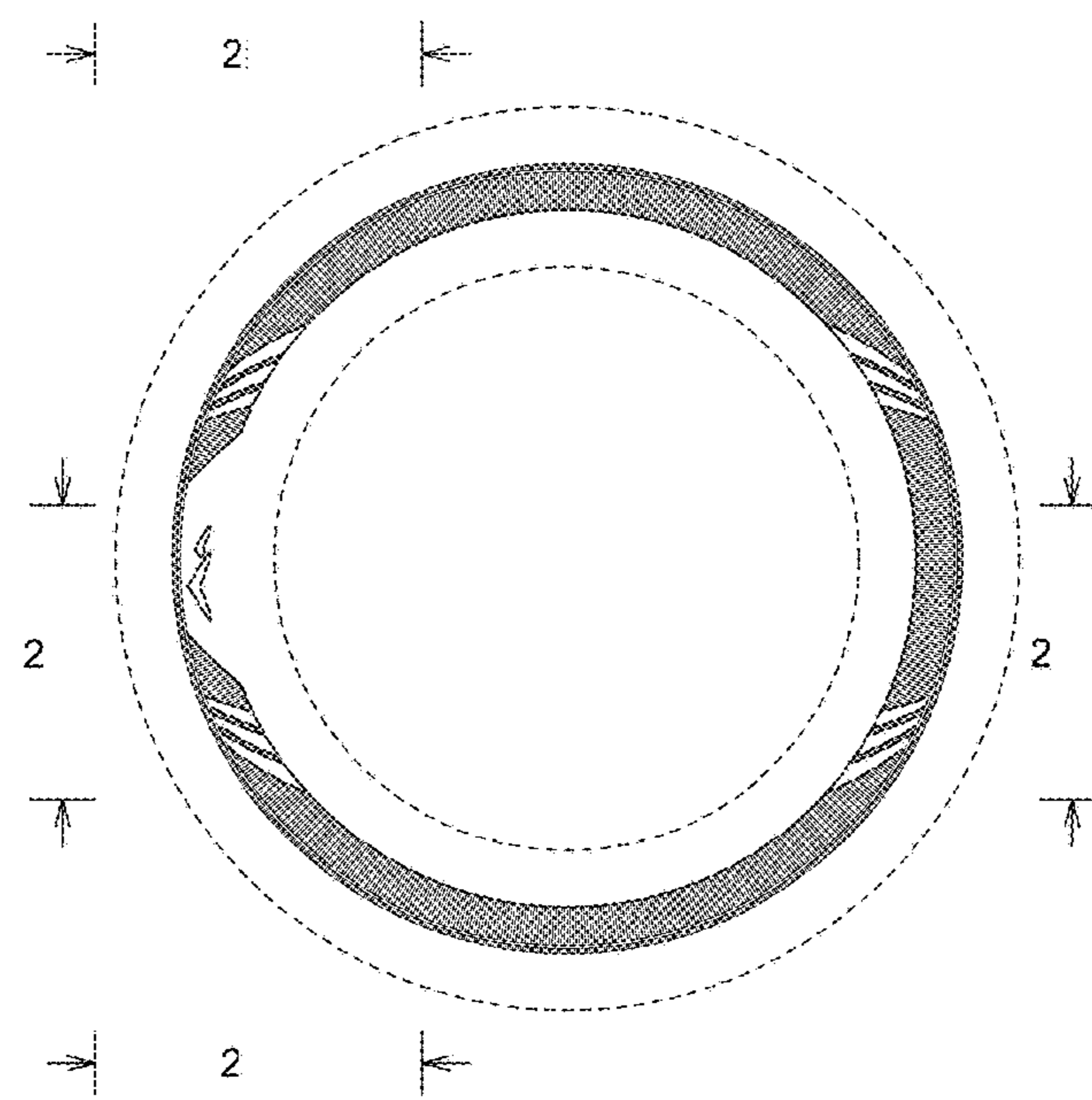


FIG. 1

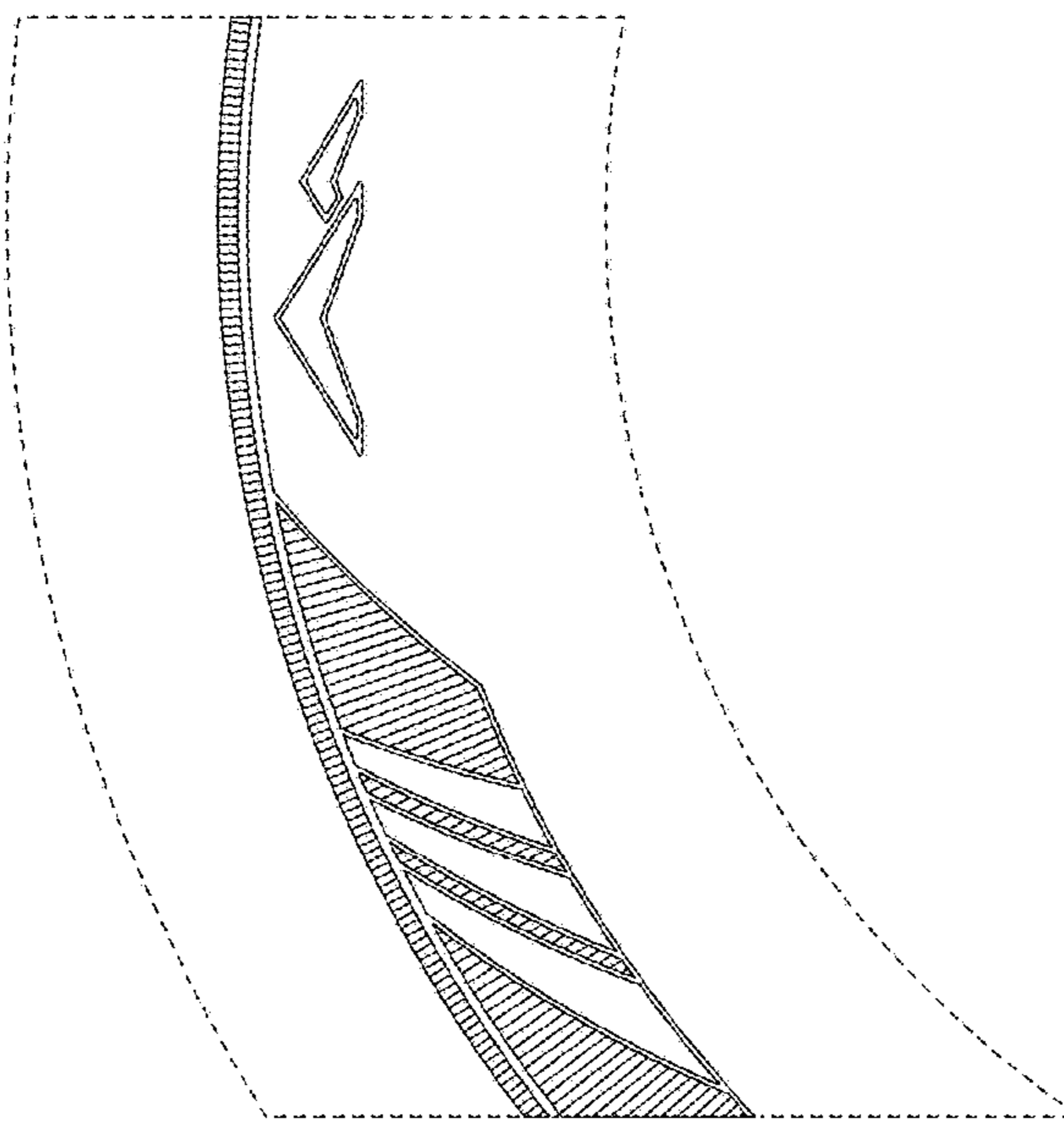


FIG. 2

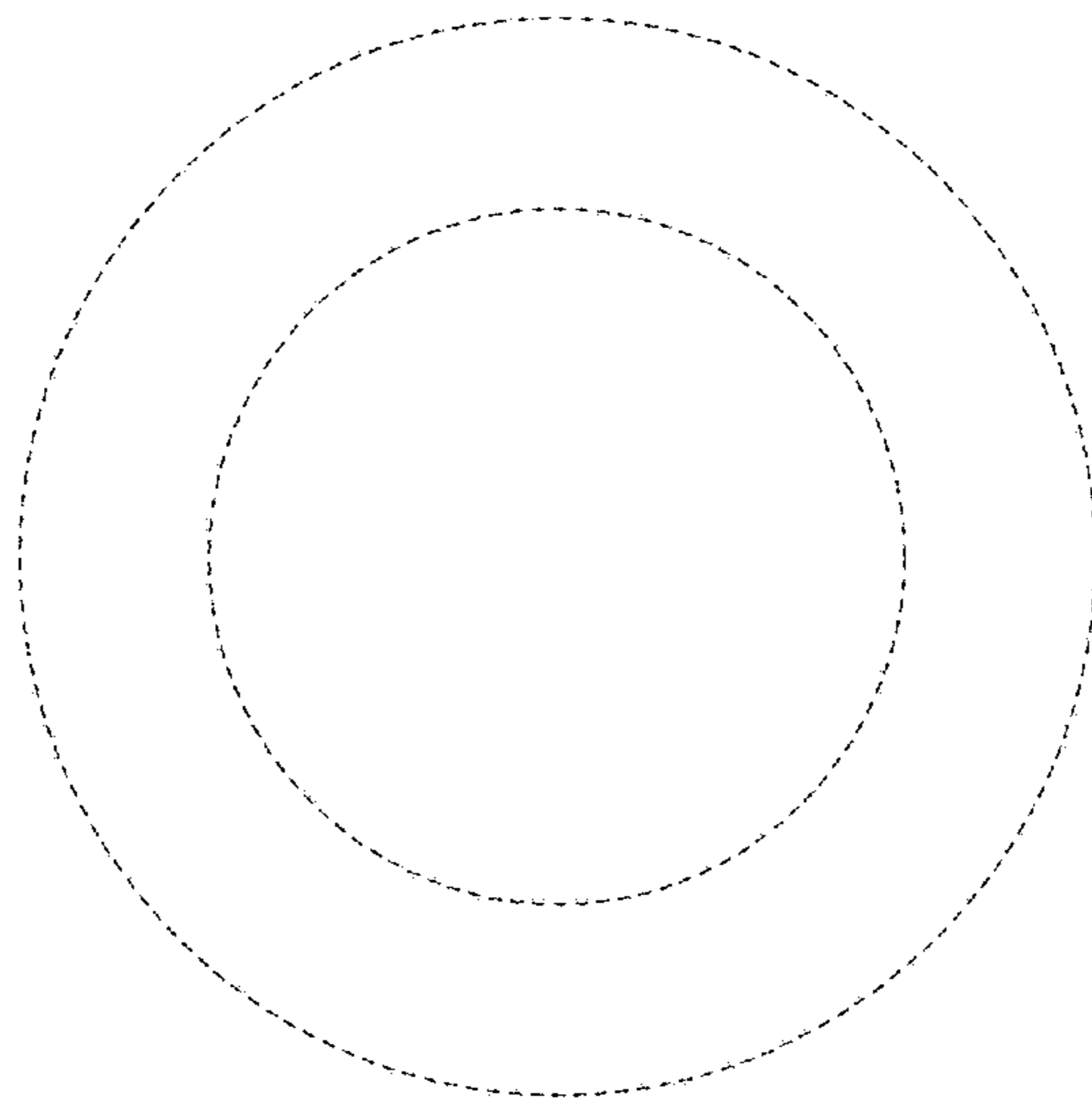


FIG. 3



FIG. 4



FIG. 5

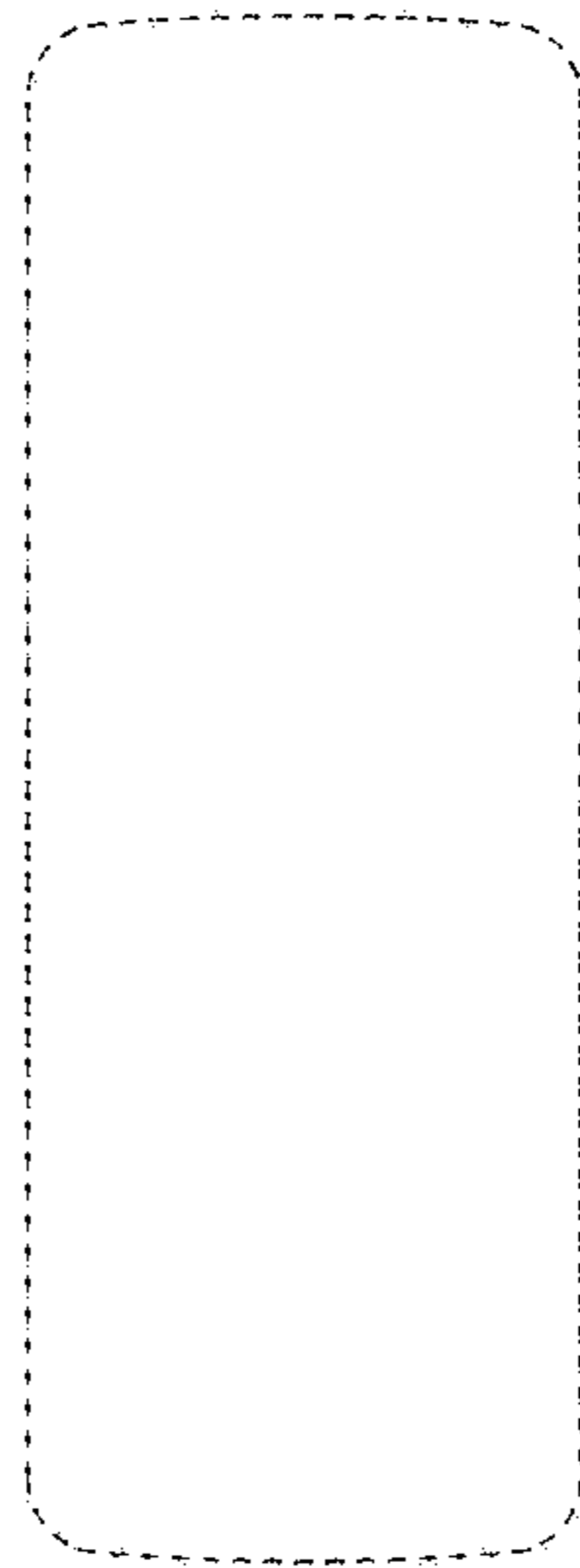


FIG. 6

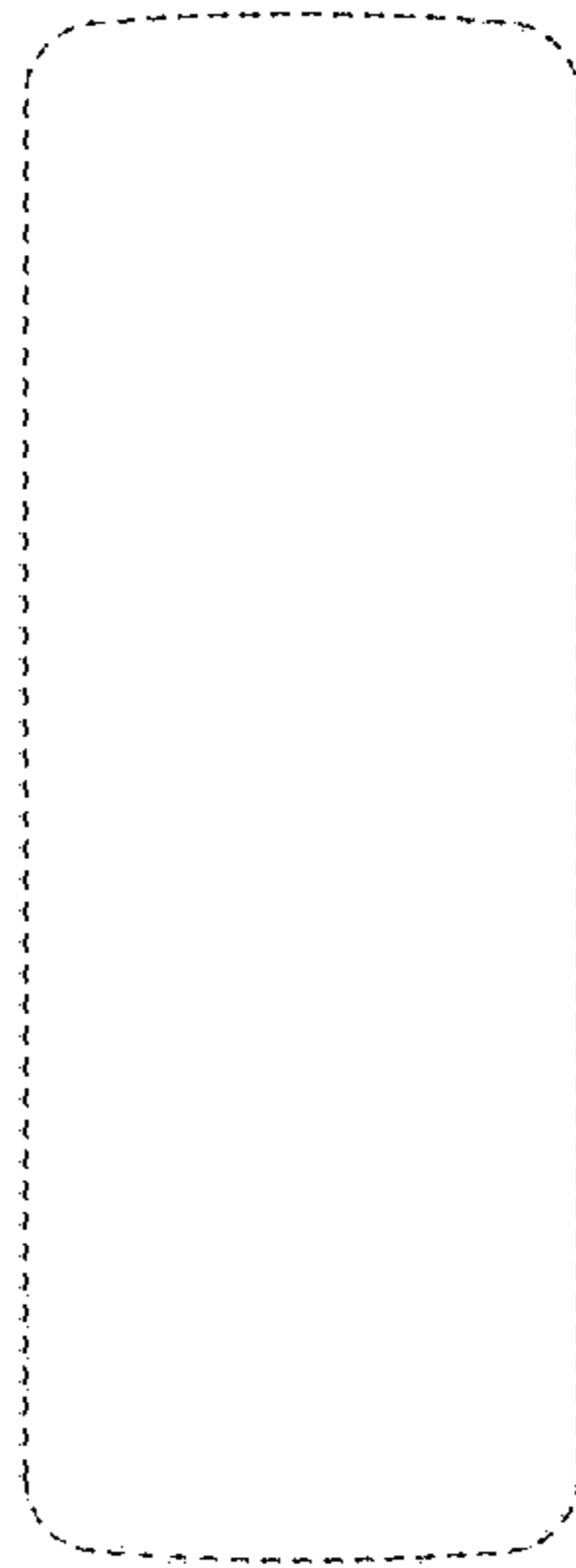


FIG. 7