



US00D852734S

(12) **United States Design Patent**
Tanaka et al.

(10) **Patent No.:** **US D852,734 S**
(45) **Date of Patent:** **** Jul. 2, 2019**

- (54) **AUTOMOBILE TIRE**
- (71) Applicant: **THE YOKOHAMA RUBBER CO., LTD.**, Minato-ku, Tokyo (JP)
- (72) Inventors: **Daisuke Tanaka**, Hiratsuka (JP);
Kenichi Sato, Tokyo (JP)
- (73) Assignee: **THE YOKOHAMA RUBBER CO., LTD.**, Minato-ku, Tokyo (JP)

D680,490 S *	4/2013	Iwabuchi	D12/605
D683,695 S *	6/2013	Takehima	D12/605
D700,886 S *	3/2014	Matsumoto	D12/605
D708,121 S *	7/2014	Iwabuchi	D12/605
D711,816 S *	8/2014	Iwabuchi	D12/605
D739,344 S *	9/2015	Kuwano	D12/605
D768,067 S *	10/2016	Kuwano	D12/605
D773,985 S *	12/2016	Sakamoto	D12/605
D777,656 S *	1/2017	Maxwell	D12/605
D791,068 S *	7/2017	Ishikawa	D12/605
D791,694 S *	7/2017	Sato	D12/605
D792,843 S *	7/2017	Taniguchi	D12/605
D801,263 S *	10/2017	Sato	D12/605

(Continued)

- (**) Term: **15 Years**
- (21) Appl. No.: **29/644,048**
- (22) Filed: **Apr. 13, 2018**

Primary Examiner — Michelle E. Wilson
Assistant Examiner — Clese Moore, Jr.
 (74) *Attorney, Agent, or Firm* — Banner & Witcoff, Ltd.

(30) **Foreign Application Priority Data**

Oct. 13, 2017 (JP) 2017-022636

(51) **LOC (11) Cl.** **12-15**

(52) **U.S. Cl.**
USPC **D12/605**

(58) **Field of Classification Search**
USPC D12/604, 605
CPC B60C 13/00; B60C 1/00
See application file for complete search history.

(56) **References Cited**

U.S. PATENT DOCUMENTS

D517,003 S *	3/2006	Shondel	D12/605
D549,168 S *	8/2007	Shondel	D12/605
D567,169 S *	4/2008	Maxwell	D12/605
D569,792 S *	5/2008	Holden	D12/605
D585,017 S *	1/2009	Shondel	D12/605
D588,529 S *	3/2009	Reese	D12/605
D588,532 S *	3/2009	Shondel	D12/605
D629,745 S *	12/2010	Shondel	D12/605
D638,783 S *	5/2011	Endou	D12/605
D662,466 S *	6/2012	Takano	D12/605
D673,900 S *	1/2013	Kuwano	D12/605

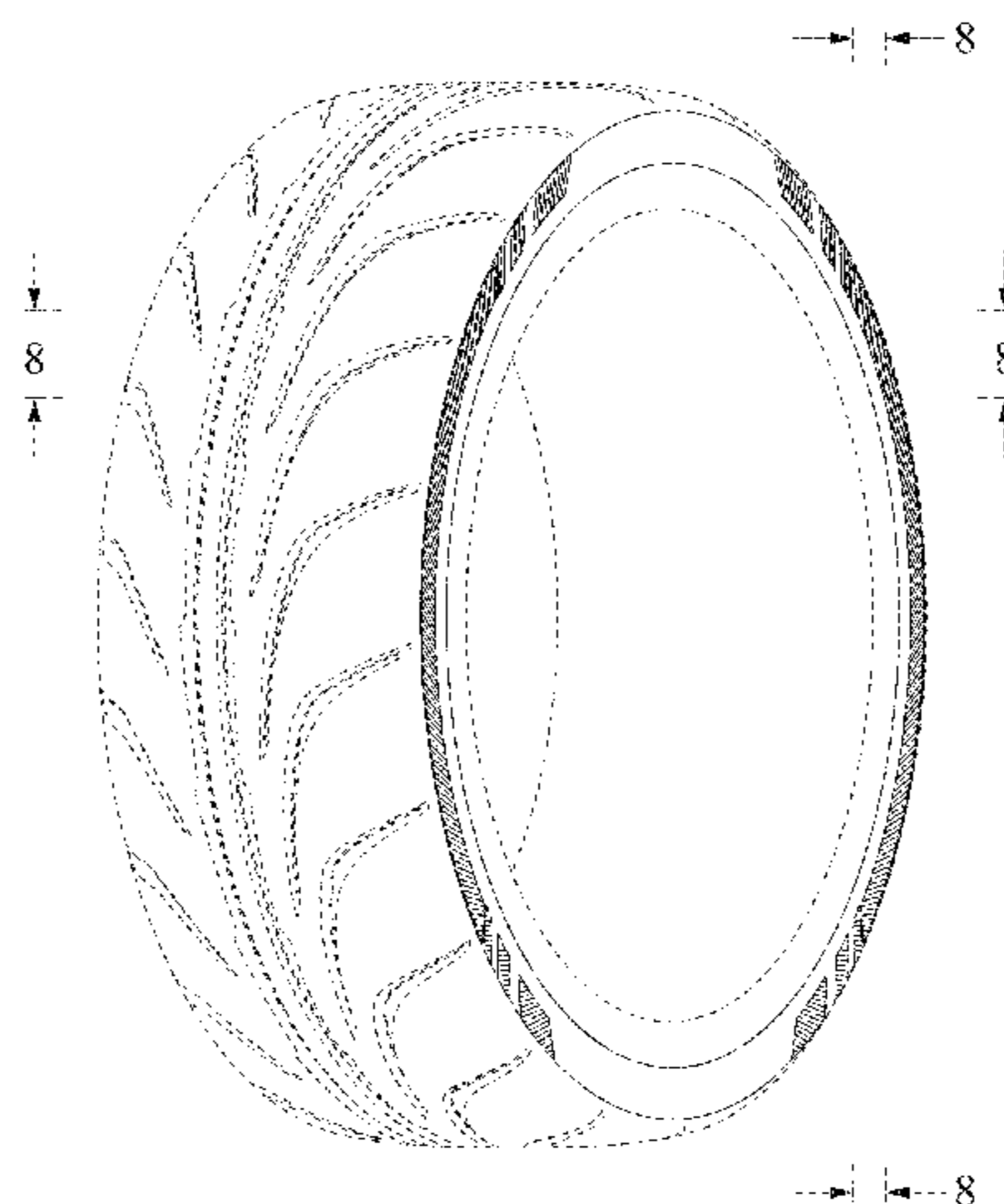
(57) **CLAIM**

The ornamental design for an automobile tire, as shown and described.

DESCRIPTION

FIG. 1 is a perspective view of an automobile tire showing our new design;
 FIG. 2 is a front view thereof;
 FIG. 3 is a rear view thereof;
 FIG. 4 is a right side view thereof;
 FIG. 5 is a left side view thereof;
 FIG. 6 is a top view thereof;
 FIG. 7 is a bottom view thereof;
 FIG. 8 is an enlarged perspective view thereof taken at a portion defined by lines 8-8 shown in FIG. 1;
 FIG. 9 is an enlarged view thereof taken at a portion defined by lines 9-9 shown in FIG. 2; and,
 FIG. 10 is a cross sectional view thereof taken at a portion defined by lines 10-10 shown in FIG. 9.
 In the drawings, the broken lines depict environmental subject matter only and form no part of the claimed design.

1 Claim, 9 Drawing Sheets



(56)

References Cited

U.S. PATENT DOCUMENTS

D802,526 S * 11/2017 Ishikawa D12/605
D806,642 S * 1/2018 Kuwano D12/605

* cited by examiner

FIG. 1

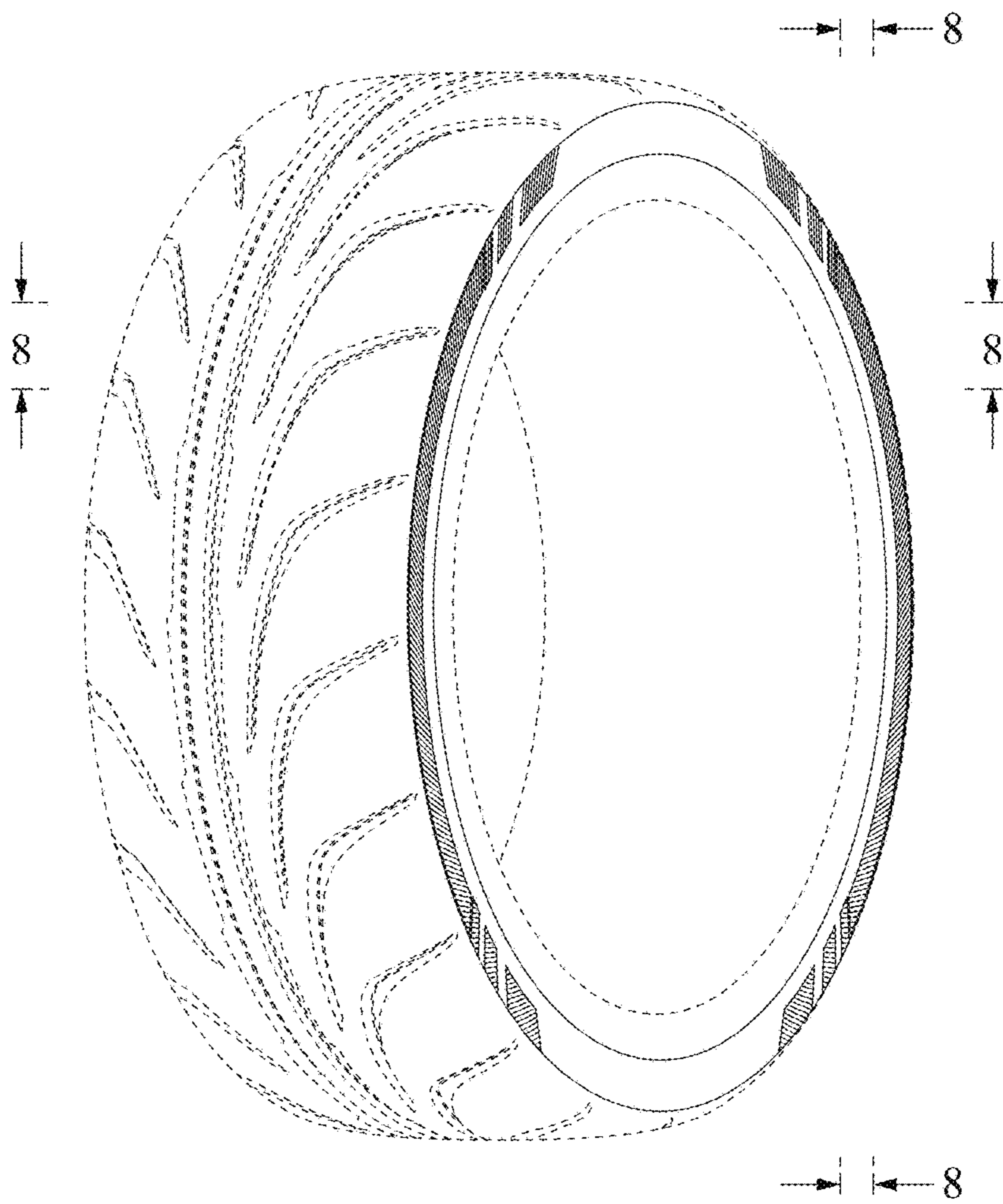


FIG. 2

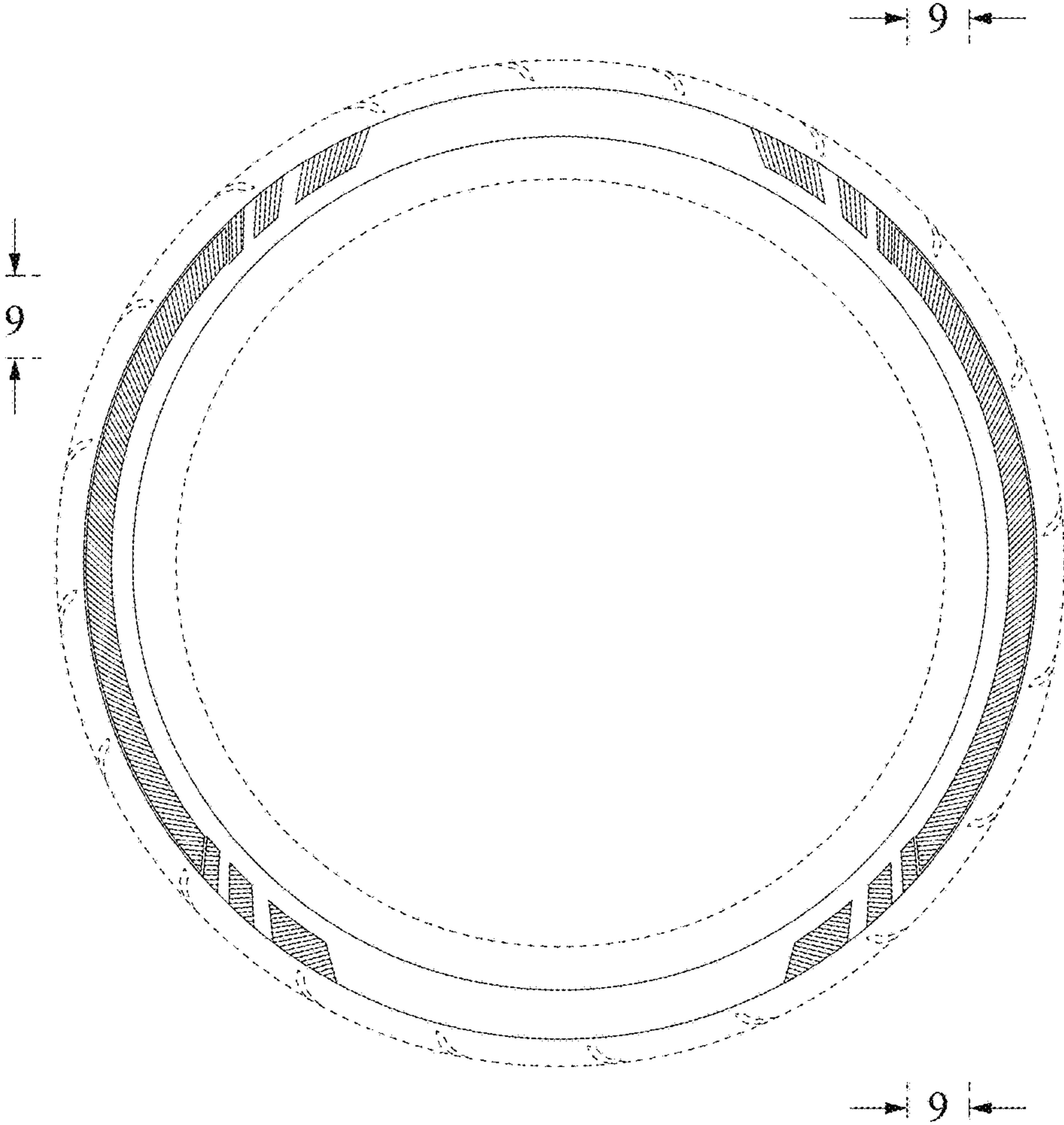


FIG. 3

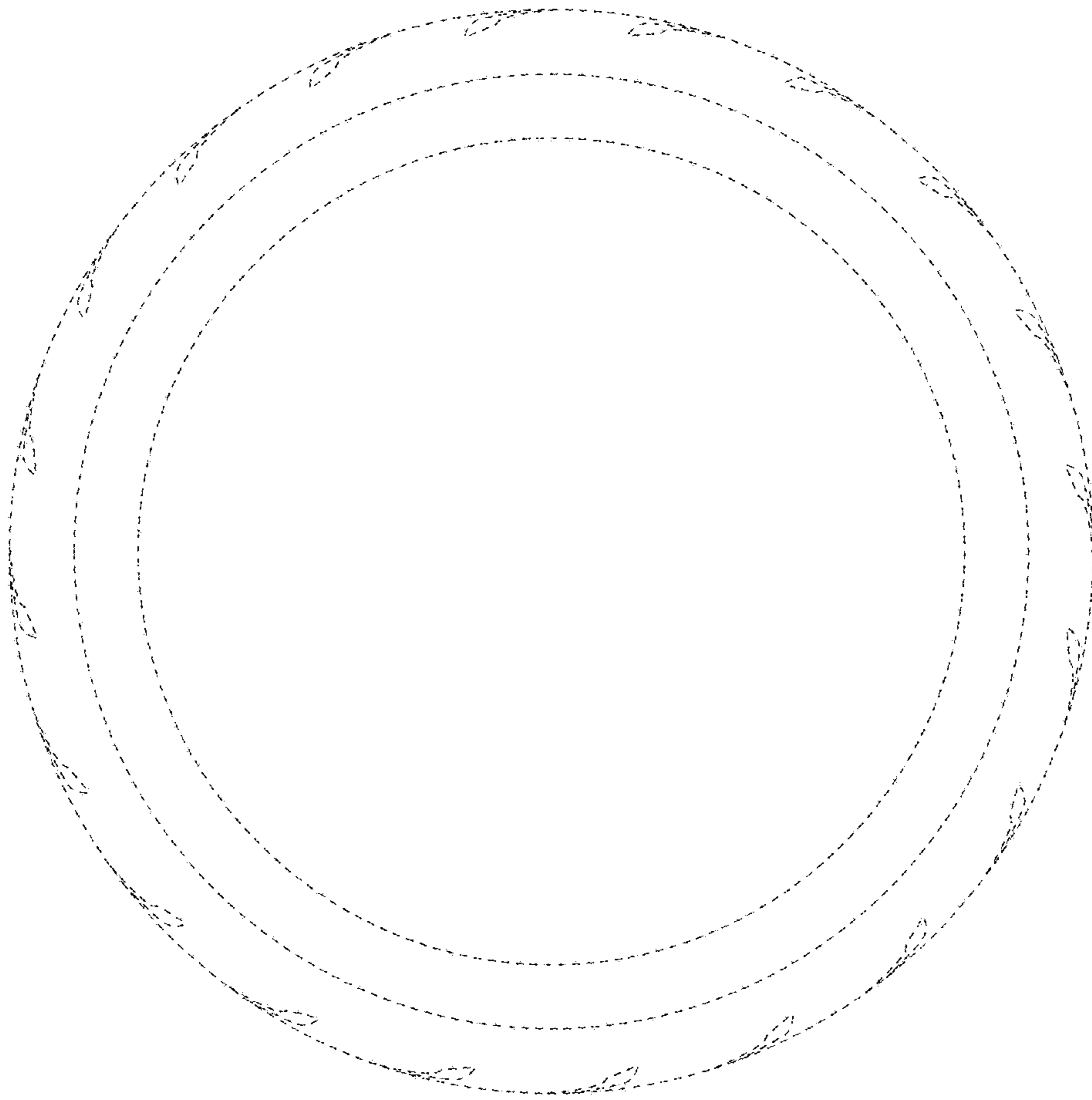


FIG. 4

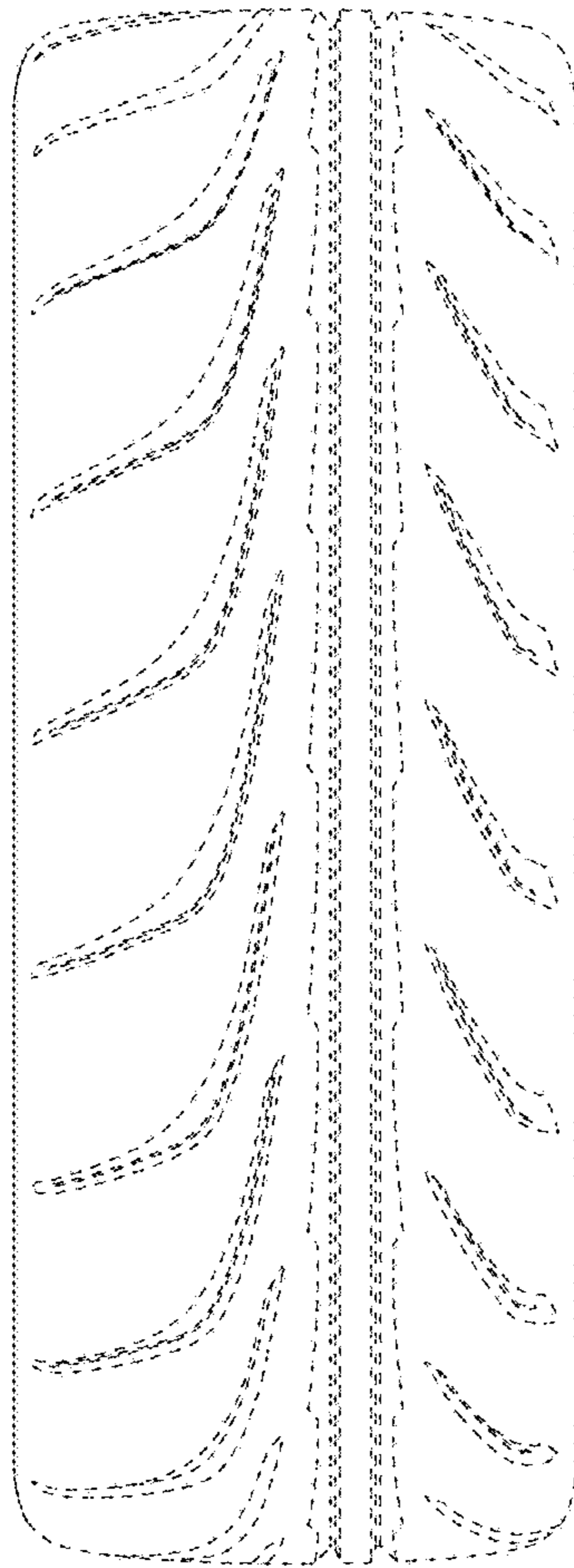


FIG. 5

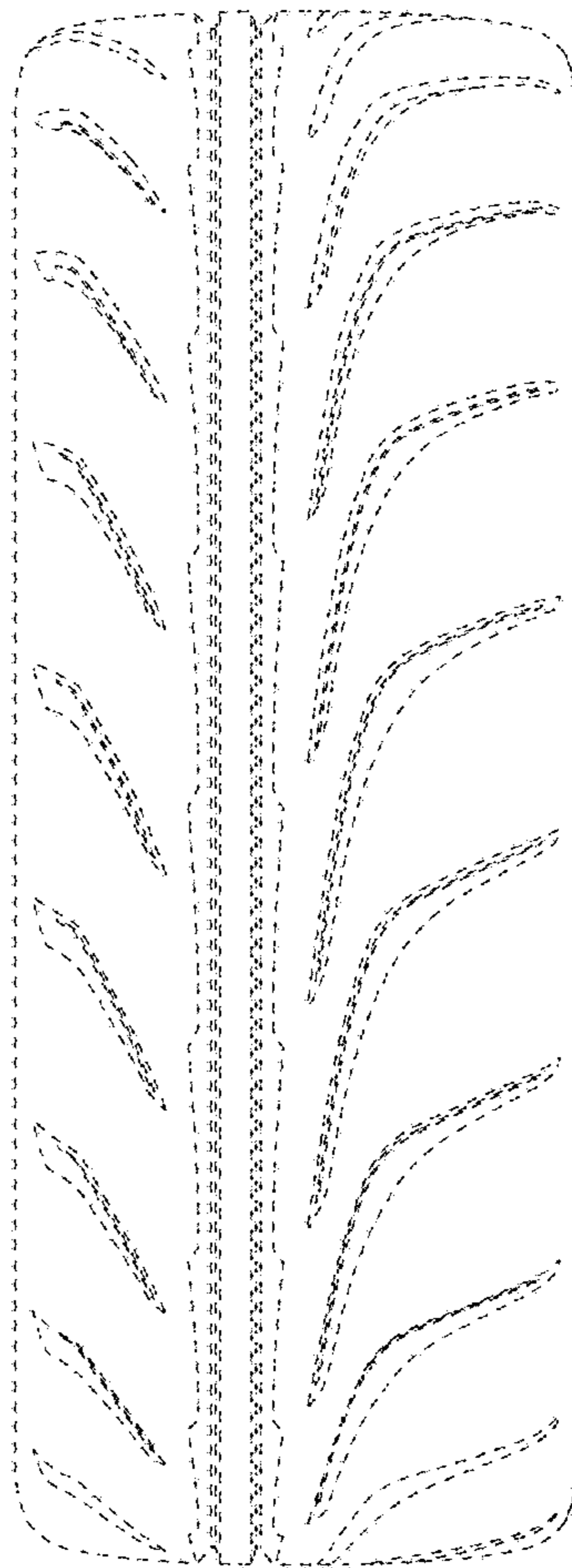


FIG. 6

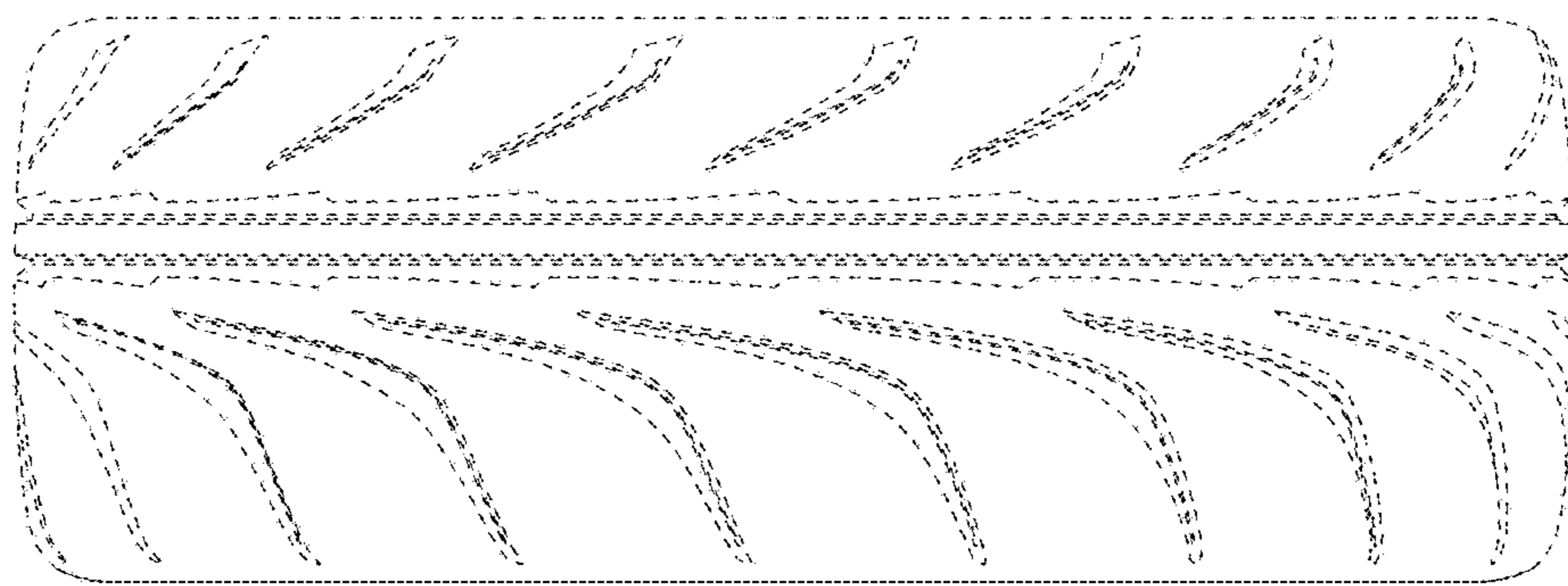


FIG. 7

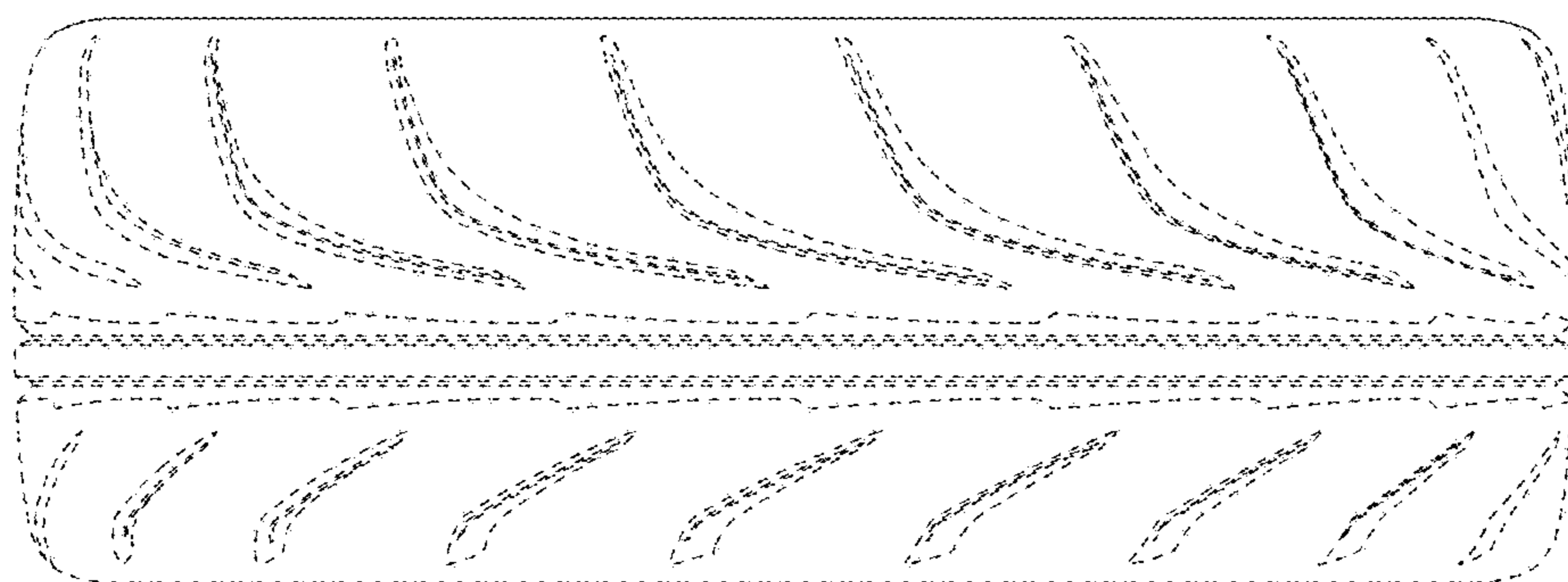


FIG. 8

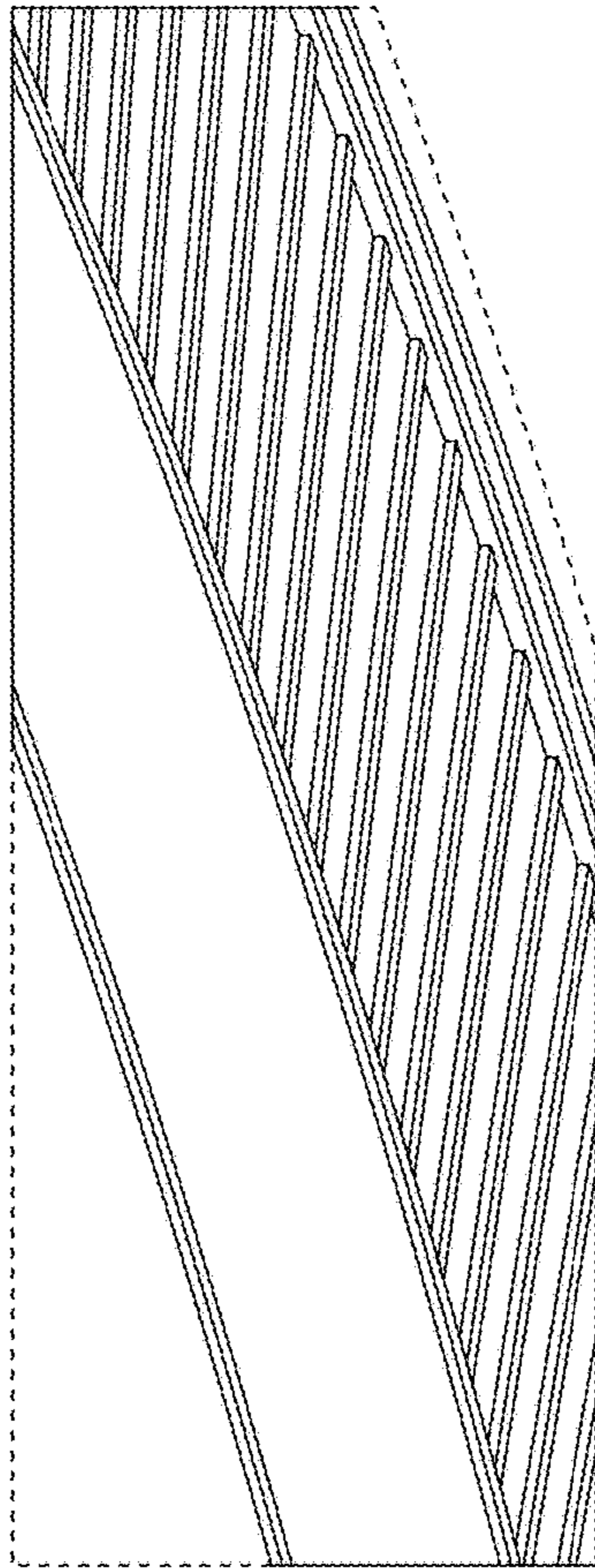


FIG. 9

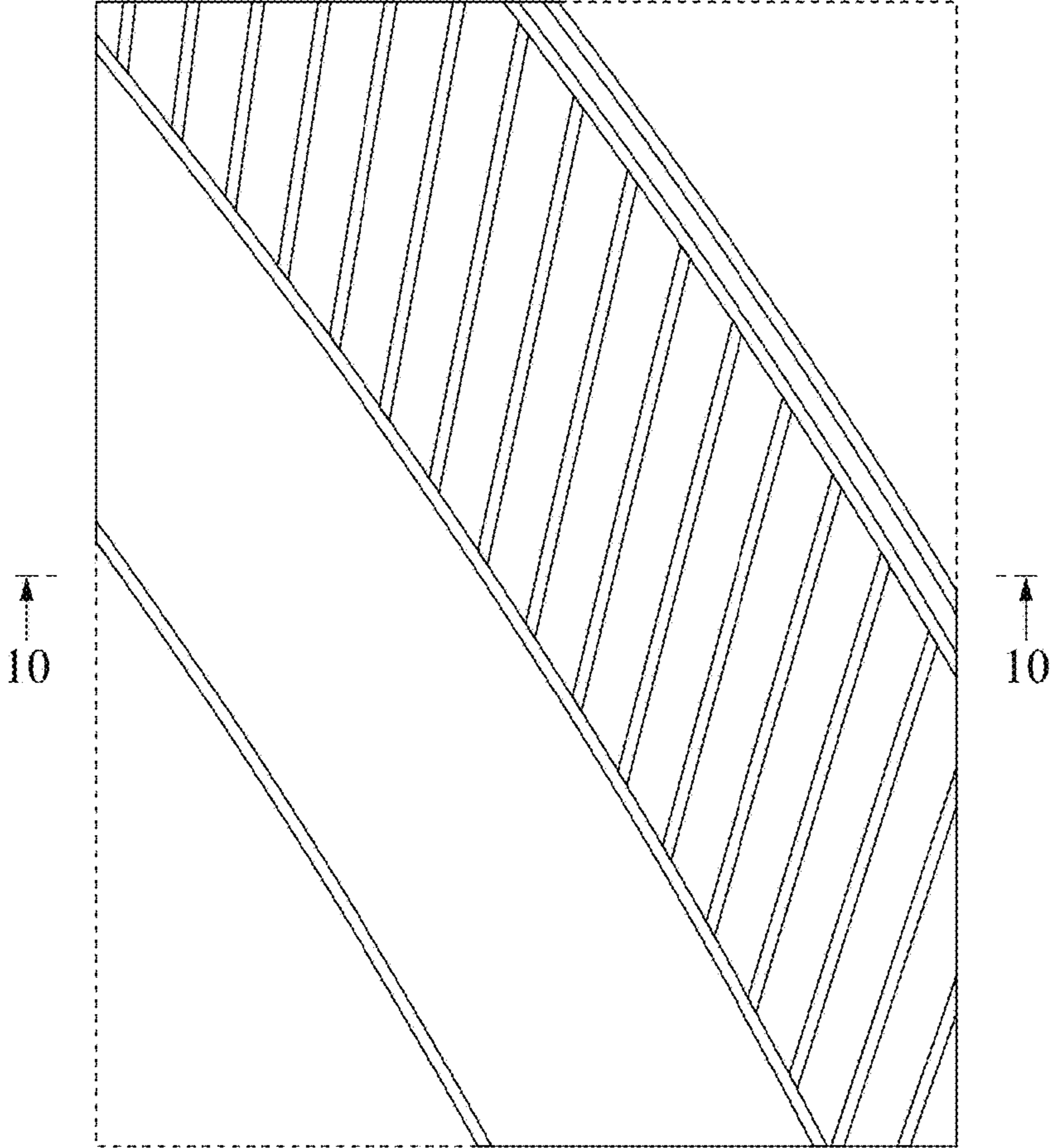


FIG. 10

