



US00D852727S

(12) **United States Design Patent**
Adler et al.

(10) **Patent No.:** **US D852,727 S**
(45) **Date of Patent:** **** Jul. 2, 2019**

(54) **CARRIER**

(71) Applicant: **Thule Sweden AB**, Hillerstorp (SE)

(72) Inventors: **Jan Adler**, Skillingaryd (SE); **Simon Nordström**, Hillerstorp (SE)

(73) Assignee: **Thule Sweden AB**, Hillerstorp (SE)

(**) Term: **15 Years**

(21) Appl. No.: **29/611,659**

(22) Filed: **Jul. 24, 2017**

(51) **LOC (11) Cl.** **12-16**

(52) **U.S. Cl.**
USPC **D12/412**

(58) **Field of Classification Search**
USPC D12/406–414; D32/35, 58; D6/513–514
CPC B62J 9/003; B62J 7/06; B62J 9/001
See application file for complete search history.

(56) **References Cited**

U.S. PATENT DOCUMENTS

D703,130 S	*	4/2014	Settmayer	D12/408
D703,605 S	*	4/2014	Sautter	D12/408
D706,209 S	*	6/2014	Flaherty	D12/407
D717,717 S	*	11/2014	Williams	B60R 9/10 D12/408
D717,723 S	*	11/2014	Laverack	D12/414
D727,831 S	*	4/2015	Eriksson	D12/407
D731,400 S	*	6/2015	Condon	D12/408
D789,276 S		6/2017	Adler		
D813,784 S	*	3/2018	Larsson	D12/407

10,099,627 B2	*	10/2018	Lindholm	B60R 9/048
2009/0236382 A1	*	9/2009	Sautter	B60R 9/06 224/497
2010/0078454 A1	*	4/2010	Sautter	B60R 9/048 224/315

OTHER PUBLICATIONS

Thule.com, “Thule Sidearm” <<https://www.thule.com/en-us/us/bike-rack/roof-bike-racks/thule-sidearm--5546509>>, accessed Aug. 24, 2017.

* cited by examiner

Primary Examiner — Katrina A Betton

(74) *Attorney, Agent, or Firm* — Sterne, Kessler, Goldstein & Fox P.L.L.C.

(57) **CLAIM**

The ornamental design for a carrier, as shown and described.

DESCRIPTION

FIG. 1 is a top rear perspective view of a carrier showing the claimed design;

FIG. 2 is a rear view thereof;

FIG. 3 is a front view thereof;

FIG. 4 is a right side view thereof;

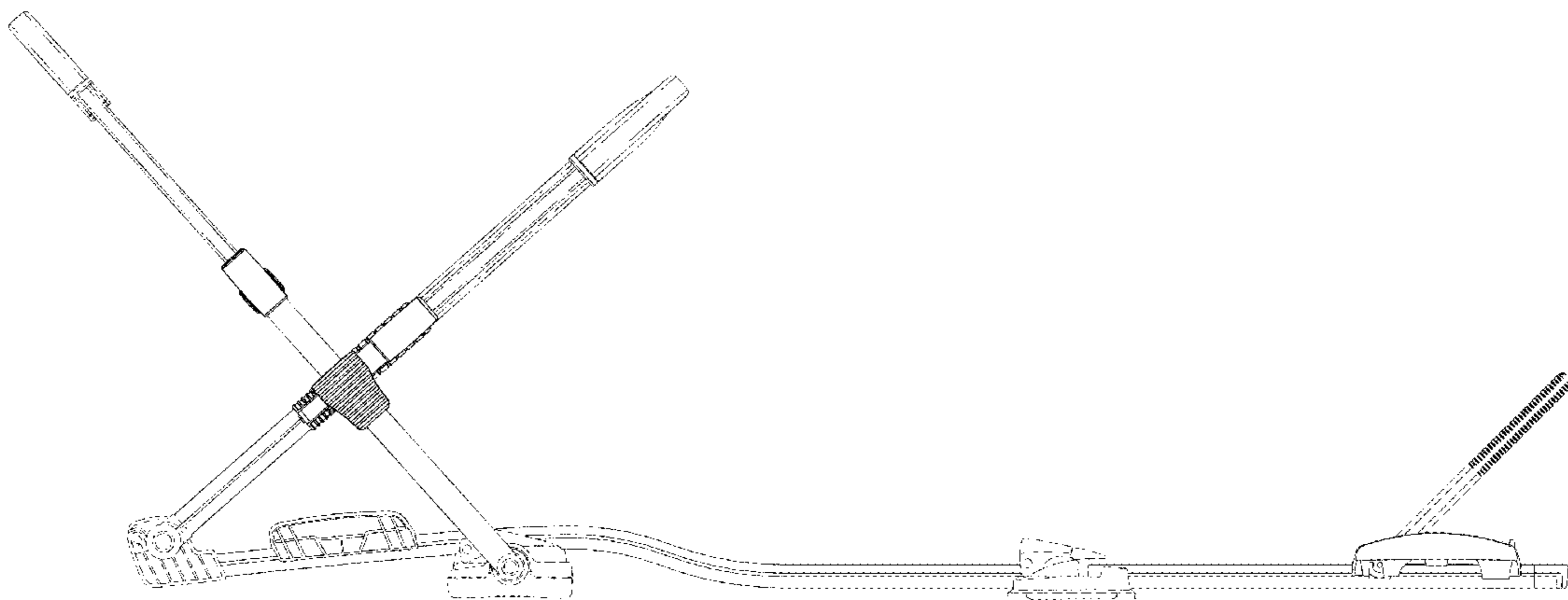
FIG. 5 is a left side view thereof;

FIG. 6 is a top view thereof; and,

FIG. 7 is a bottom view thereof.

The broken lines in the figures show portions of the carrier that form no part of the claimed design.

1 Claim, 7 Drawing Sheets



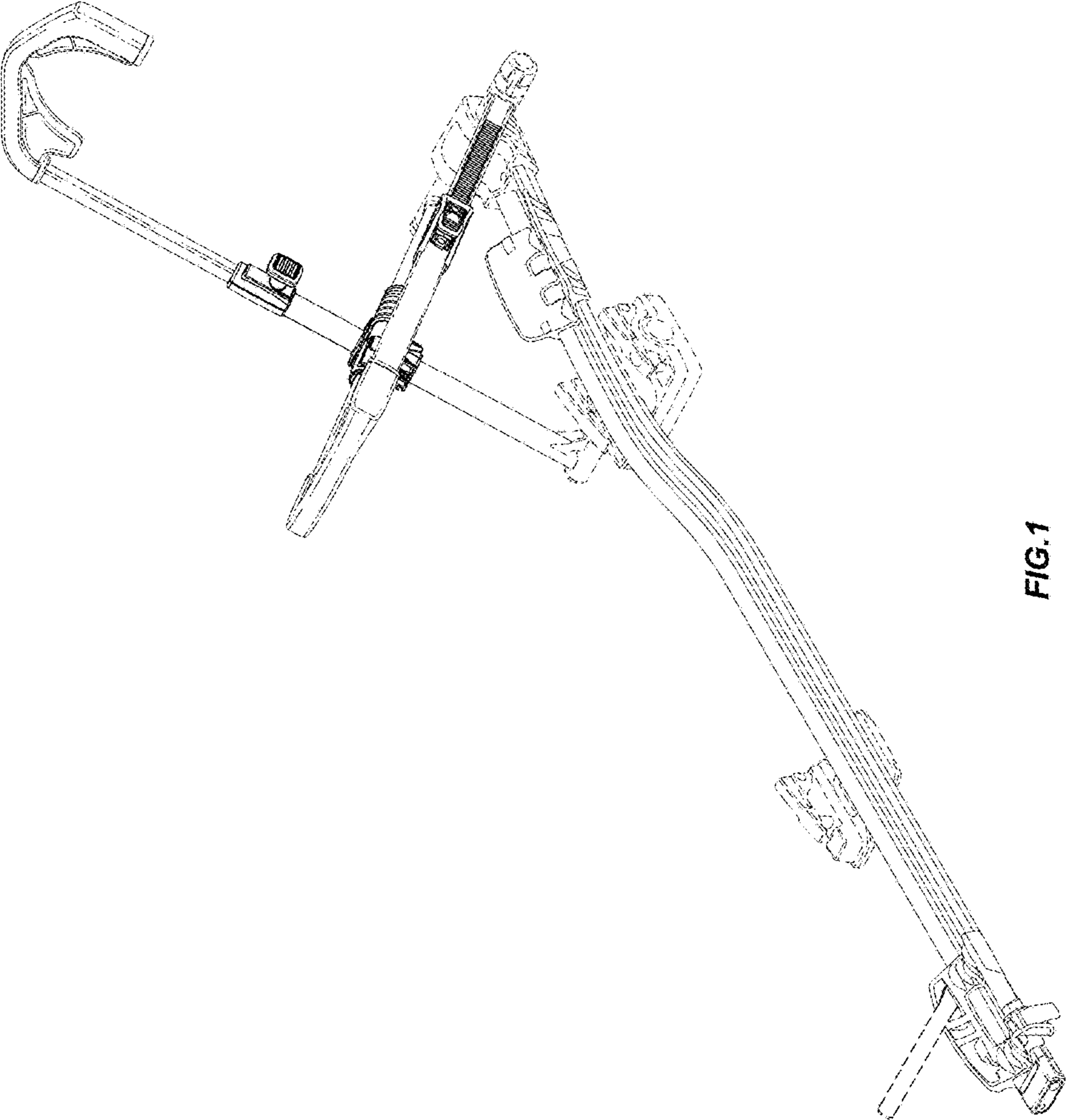


FIG.1

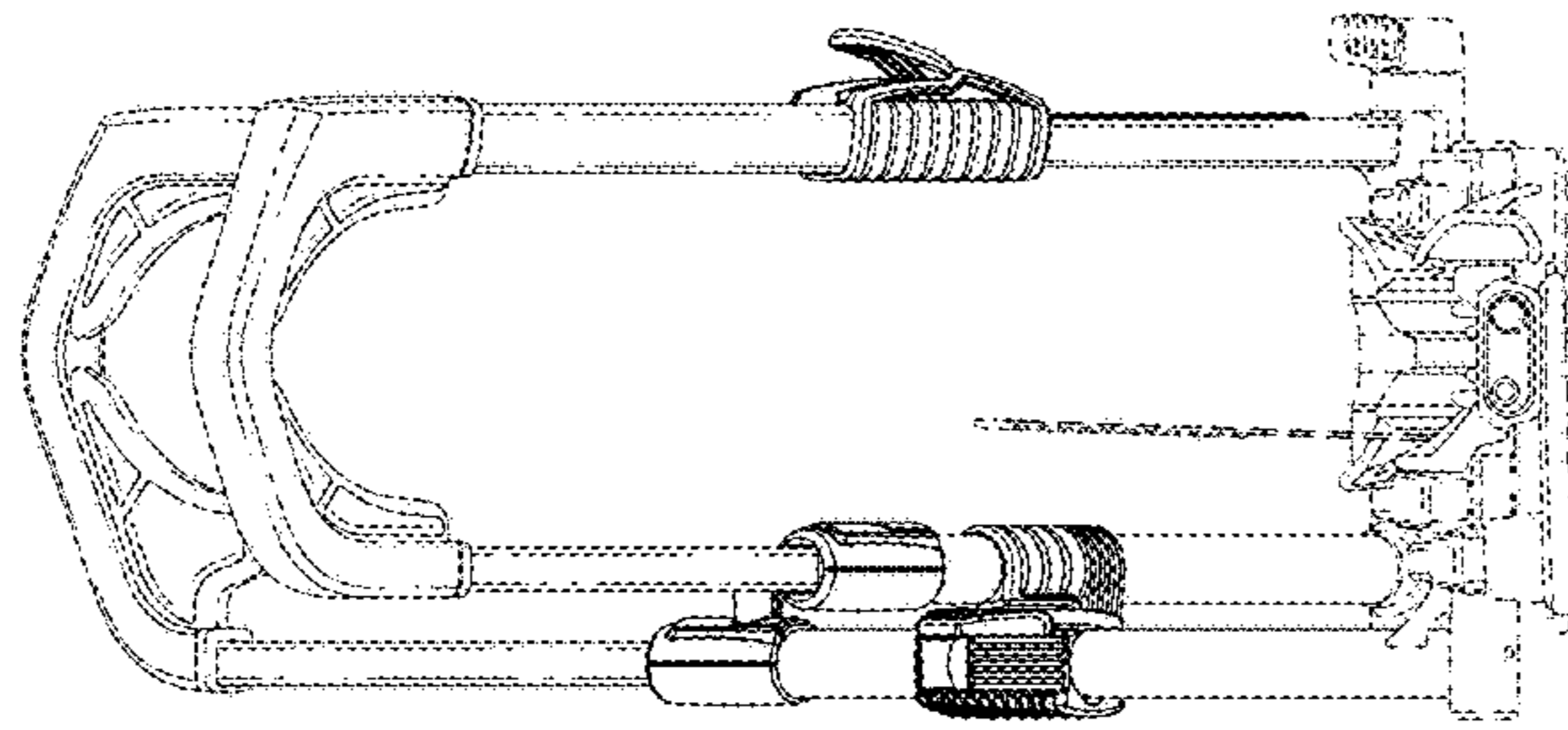


FIG.2

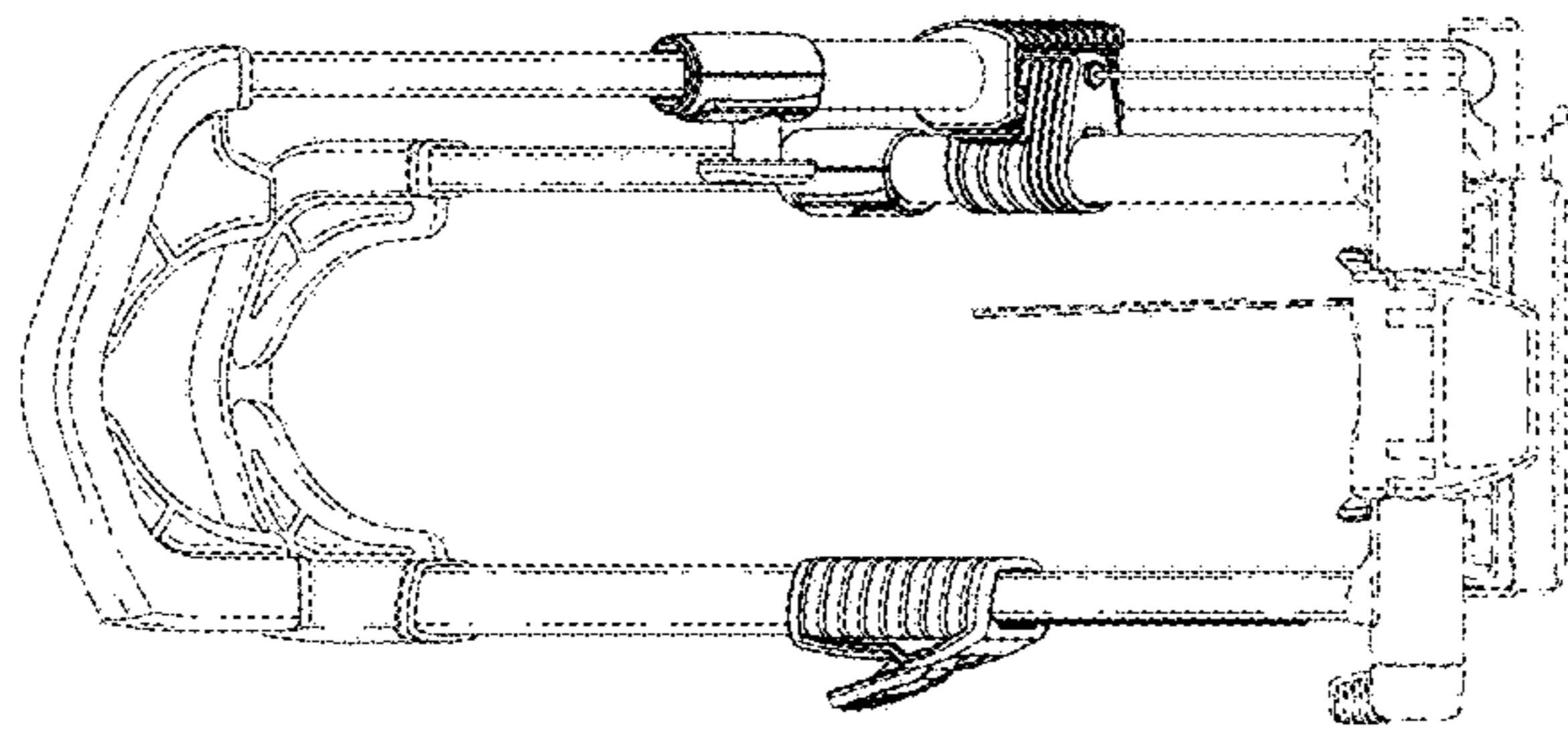


FIG. 3

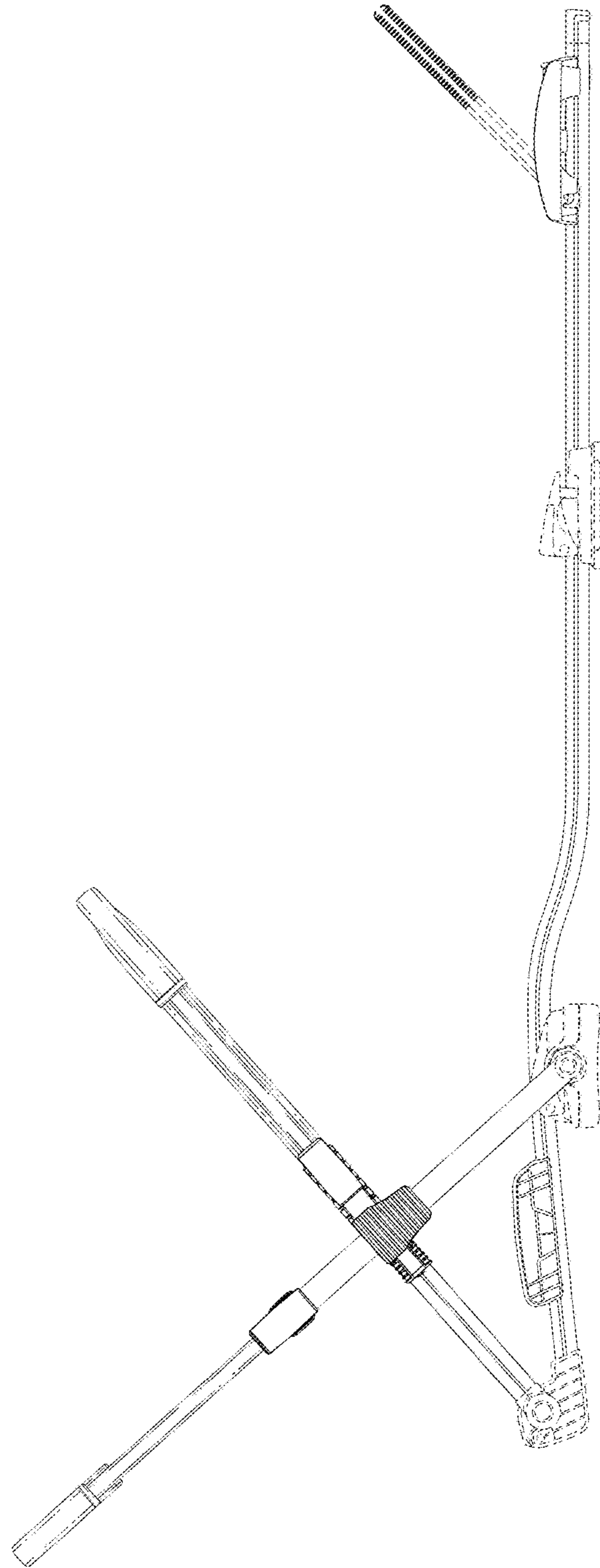


FIG.4

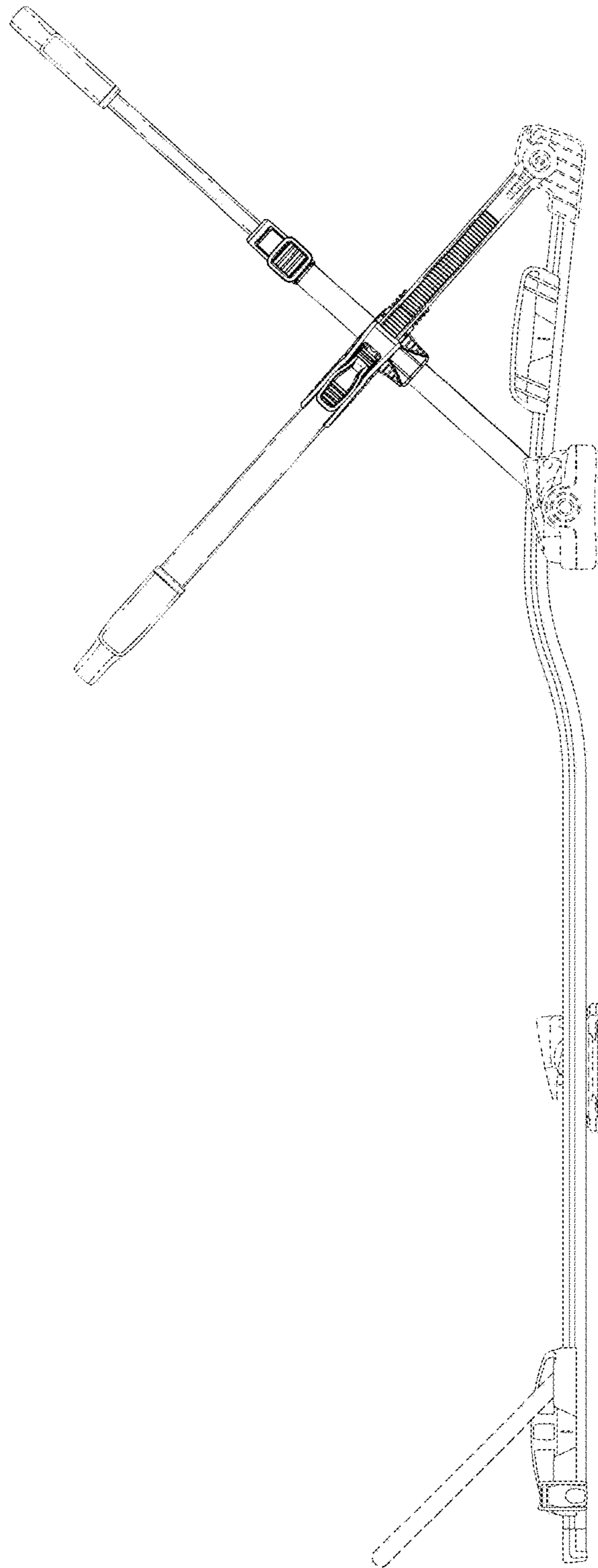


FIG.5

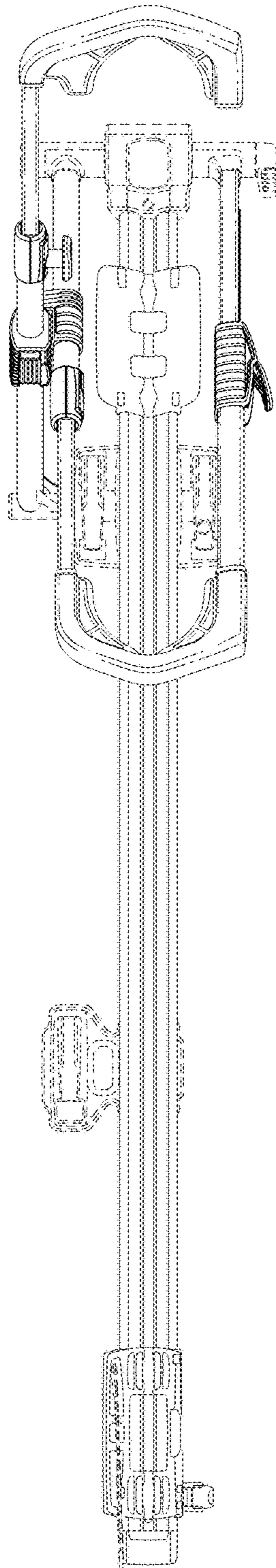


FIG.6

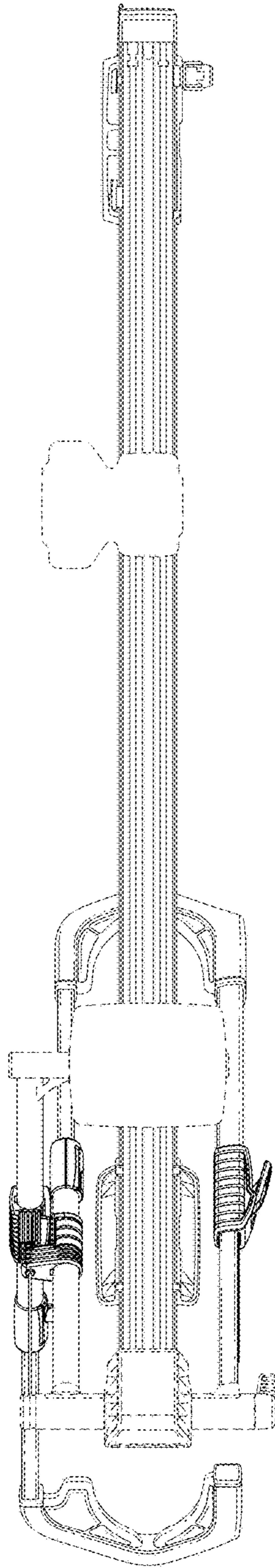


FIG.7