



US00D852725S

(12) **United States Design Patent**
Feng et al.

(10) **Patent No.:** **US D852,725 S**
(45) **Date of Patent:** **** Jul. 2, 2019**

(54) **CARGO COVER**

(71) Applicants: **Haoyu Feng**, Sunnyvale, CA (US); **Dan Xiong**, Sunnyvale, CA (US); **Jinyao Feng**, Sunnyvale, CA (US)

(72) Inventors: **Haoyu Feng**, Sunnyvale, CA (US); **Dan Xiong**, Sunnyvale, CA (US); **Jinyao Feng**, Sunnyvale, CA (US)

(73) Assignee: **Touching Design LLC**, Sunnyvale, CA (US)

(**) Term: **15 Years**

(21) Appl. No.: **29/672,921**

(22) Filed: **Dec. 10, 2018**

(51) **LOC (11) Cl.** **12-16**

(52) **U.S. Cl.**
USPC **D12/401**

(58) **Field of Classification Search**
USPC D12/401-405; D6/610, 611, 596,
D6/601-603, 615, 617, 621; D7/332,
D7/334-337
CPC B60R 5/04; B65D 85/68; B65D 31/16;
B65D 33/02; B60P 7/04
See application file for complete search history.

(56) **References Cited**

U.S. PATENT DOCUMENTS

D431,018 S * 9/2000 Maypole D12/401
D665,722 S * 8/2012 Fujita D12/401
D733,033 S * 6/2015 Rohr D12/401
D805,460 S * 12/2017 Printup, III D12/401
D829,634 S * 10/2018 Chapman D12/401

D830,283 S * 10/2018 Schmeichel D12/401
D832,185 S * 10/2018 McIntire D12/401
D839,817 S * 2/2019 Erspamer D12/401
D842,217 S * 3/2019 Nielsen D12/401

OTHER PUBLICATIONS

BESTOP, "Duster Deck Covers"—Downloaded on Feb. 12, 2019 from <https://www.bestop.com/duster/>; Prior art publication at least as of Jun. 8, 2016.

* cited by examiner

Primary Examiner — Katrina A Betton

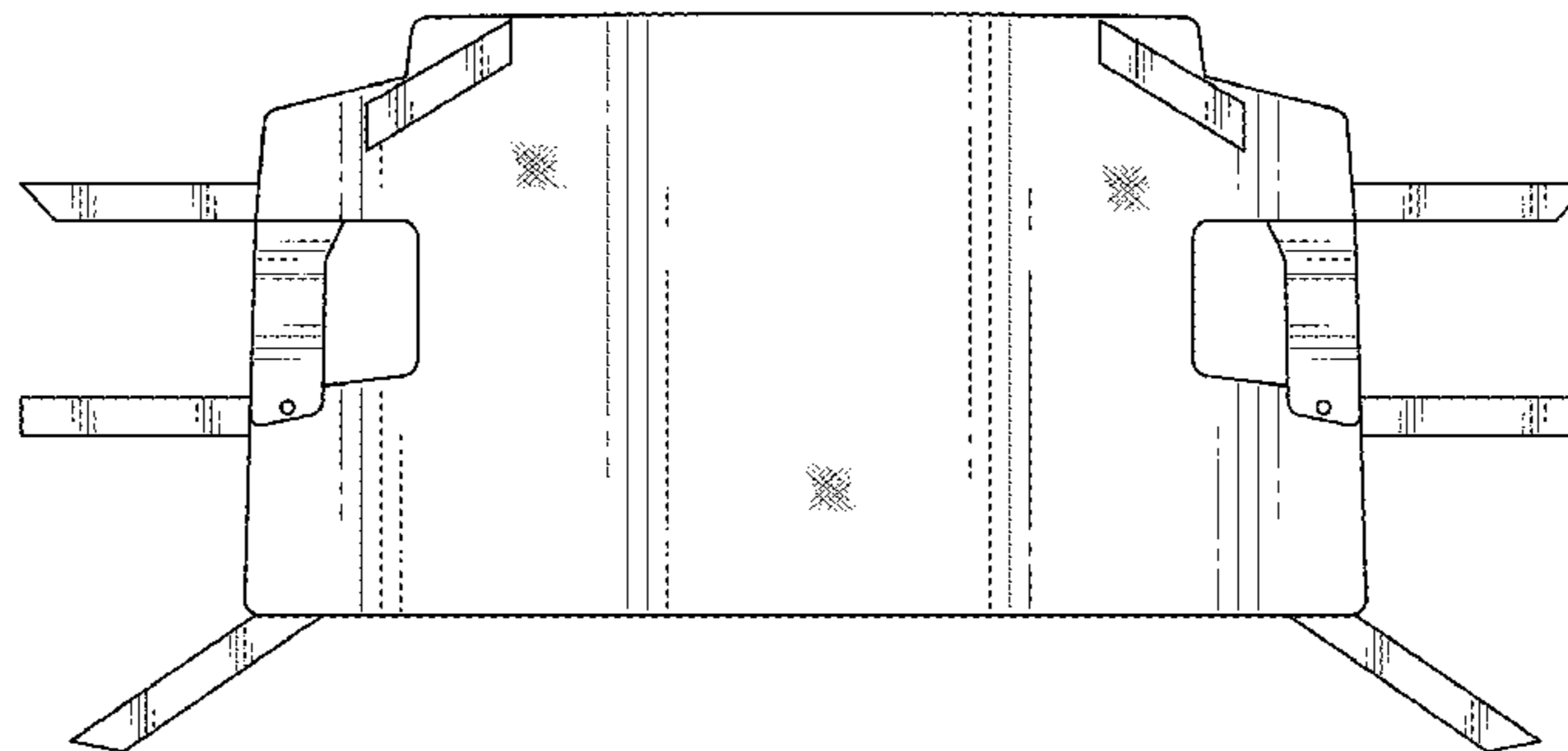
(57) **CLAIM**

The ornamental design for a cargo cover, as shown and described.

DESCRIPTION

FIG. 1 is a front, first side, top perspective view of a cargo cover according to my design;
FIG. 2 is a top side view thereof;
FIG. 3 is a bottom side view thereof;
FIG. 4 is a front side view thereof;
FIG. 5 is a back side view thereof;
FIG. 6 is a first side view thereof;
FIG. 7 is a second side view thereof; and,
FIG. 8 is a perspective view thereof showing the cargo cover attached to a Jeep-like utility vehicle.
The broken line portions of the figure drawings are included to show unclaimed subject matter only for the purpose of illustrating environment and forms no part of the claimed design.

1 Claim, 8 Drawing Sheets



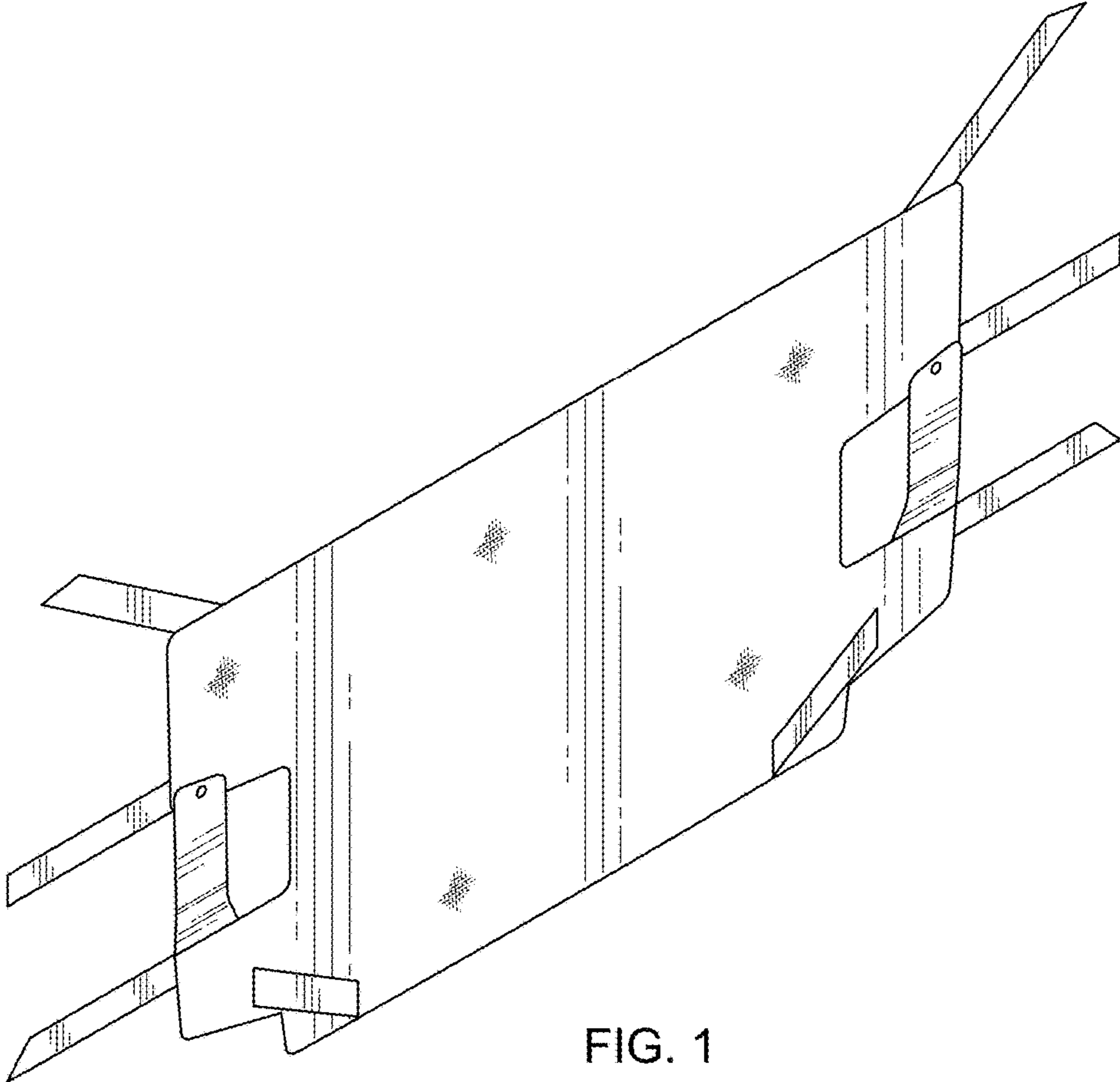


FIG. 1

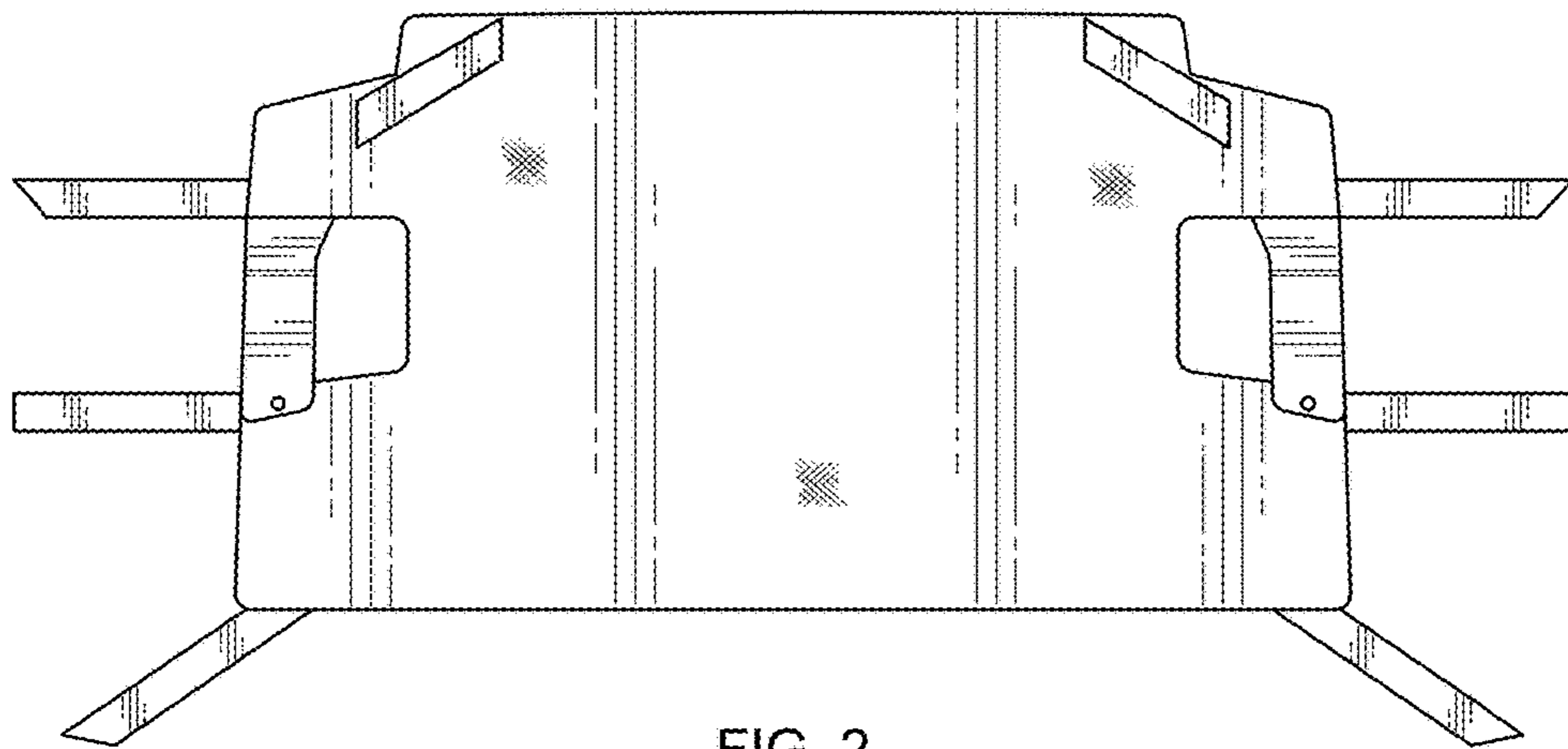


FIG. 2

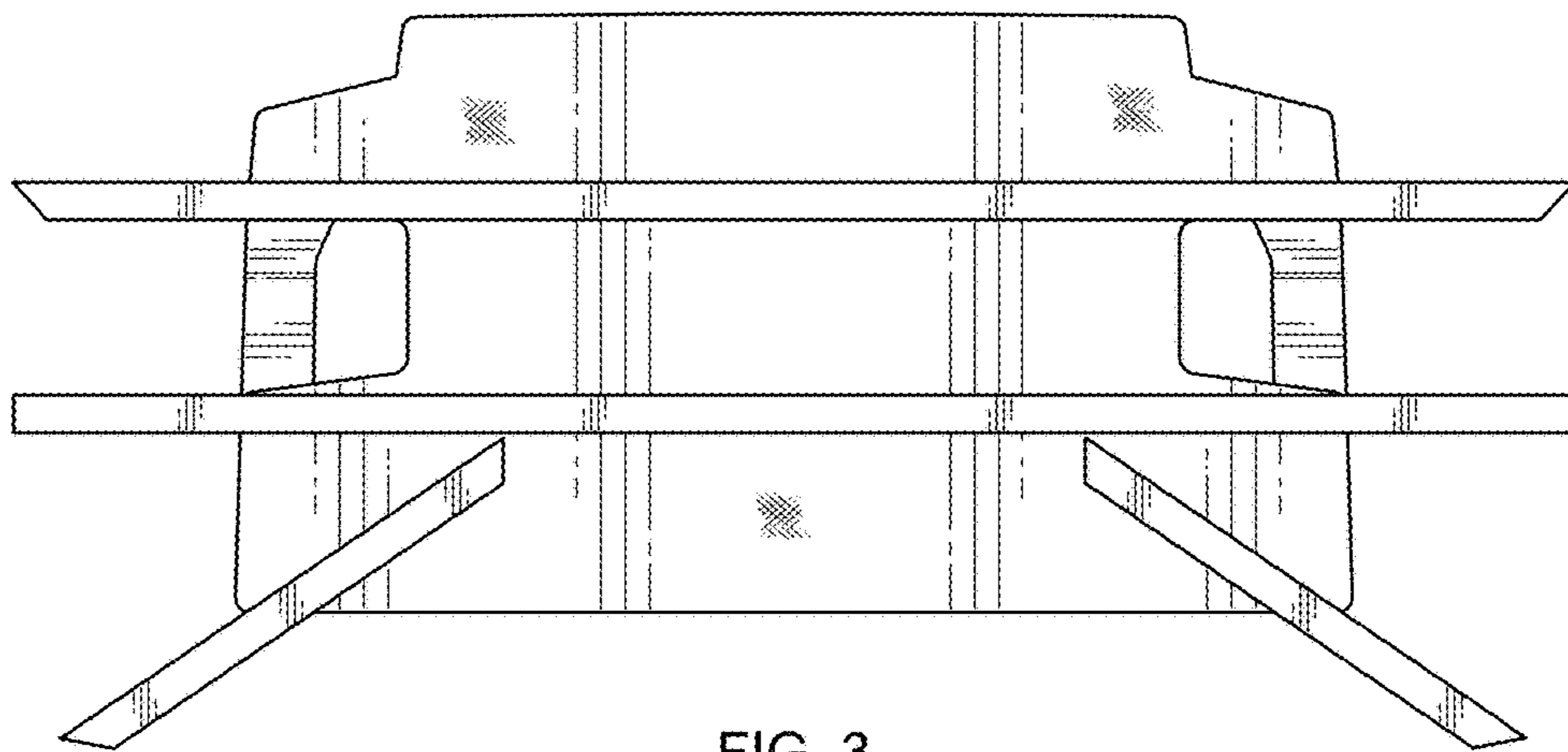




FIG. 4



FIG. 5



FIG. 6



FIG. 7

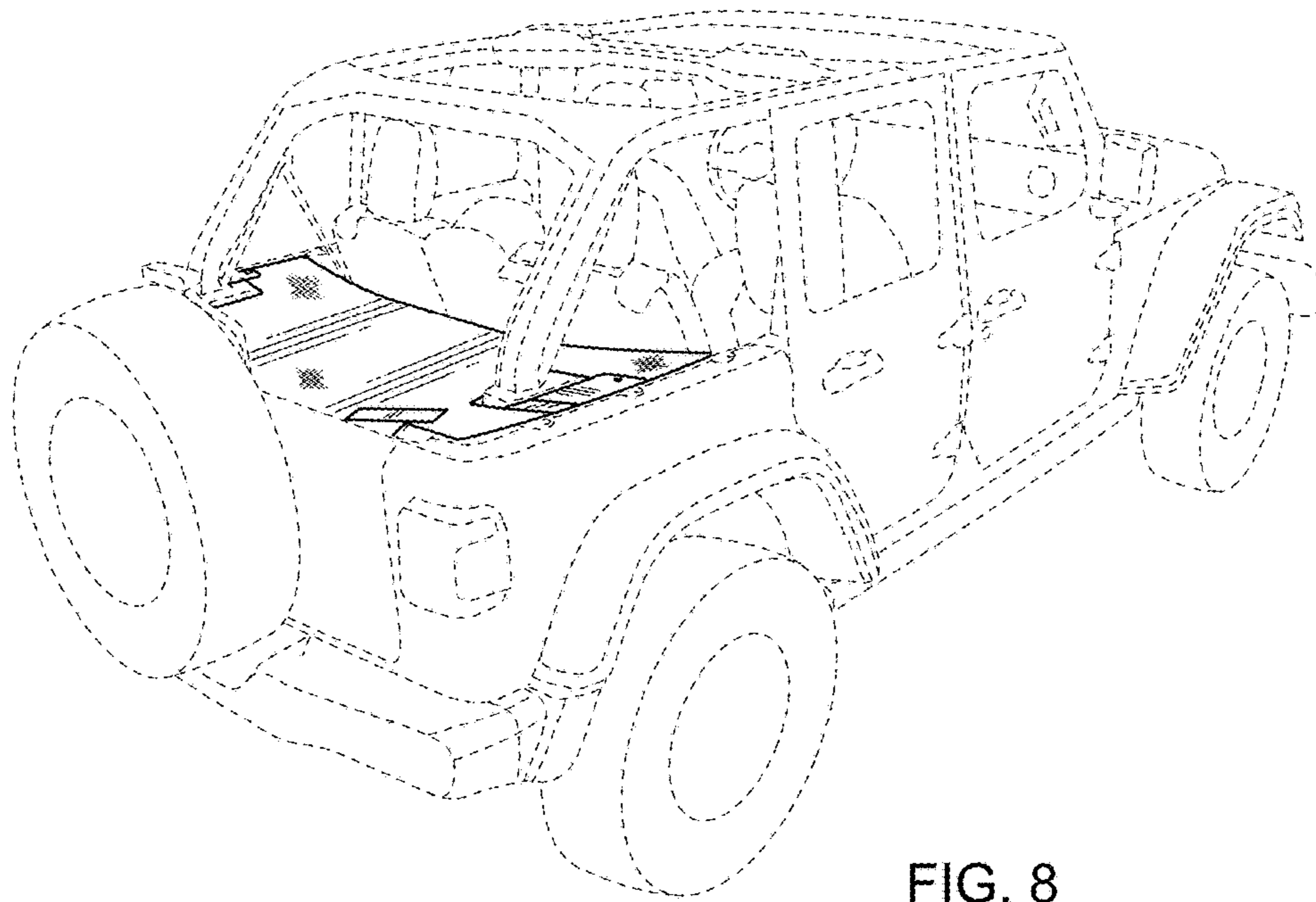


FIG. 8