



US00D852724S

(12) **United States Design Patent** (10) **Patent No.:** **US D852,724 S**
Locklear (45) **Date of Patent:** **** Jul. 2, 2019**

(54) **VEHICLE COVER**

(71) Applicant: **Ronald Locklear**, Maxton, NC (US)

(72) Inventor: **Ronald Locklear**, Maxton, NC (US)

(*) Notice: This patent is subject to a terminal disclaimer.

(**) Term: **15 Years**

(21) Appl. No.: **29/607,728**

(22) Filed: **Jun. 15, 2017**

(51) **LOC (11) Cl.** **12-16**

(52) **U.S. Cl.**
USPC **D12/401**

(58) **Field of Classification Search**
USPC D12/401, 402-405; D6/610, 611, 596,
D6/601-603, 615, 617, 621
CPC E04H 15/06; B62J 19/00; B62J 1/18; B62J
1/26; B62J 1/24; B62J 1/28; B62J 1/22
See application file for complete search history.

(56) **References Cited**

U.S. PATENT DOCUMENTS

3,298,712	A	1/1967	Greenstadt
4,896,911	A	1/1990	Duke
5,195,778	A	3/1993	Dusmuke
5,273,316	A	12/1993	Infante
5,290,618	A	3/1994	Olson et al.
5,799,975	A	9/1998	Crick
5,849,390	A	12/1998	Dillion
D408,006	S	4/1999	Webb
5,945,194	A	8/1999	Pester
6,152,487	A	11/2000	Crick

D496,322	S	*	9/2004	Farney	D12/401
D509,257	S	*	9/2005	Yamamoto	D21/398
D540,245	S	*	4/2007	Gupta	D12/401
D621,777	S	*	8/2010	Shmul	D12/401
D623,582	S	*	9/2010	Smith	D12/401
D637,134	S	*	5/2011	Kaiser	D12/318
D694,169	S	*	11/2013	Fontanilla	D12/401
D705,157	S	*	5/2014	Madison	D12/401
D724,519	S	*	3/2015	Baker	D12/401
D728,451	S	*	5/2015	Rodriguez	D12/401
D746,216	S	*	12/2015	Holeman	D12/401

* cited by examiner

Primary Examiner — Katrina A Betton

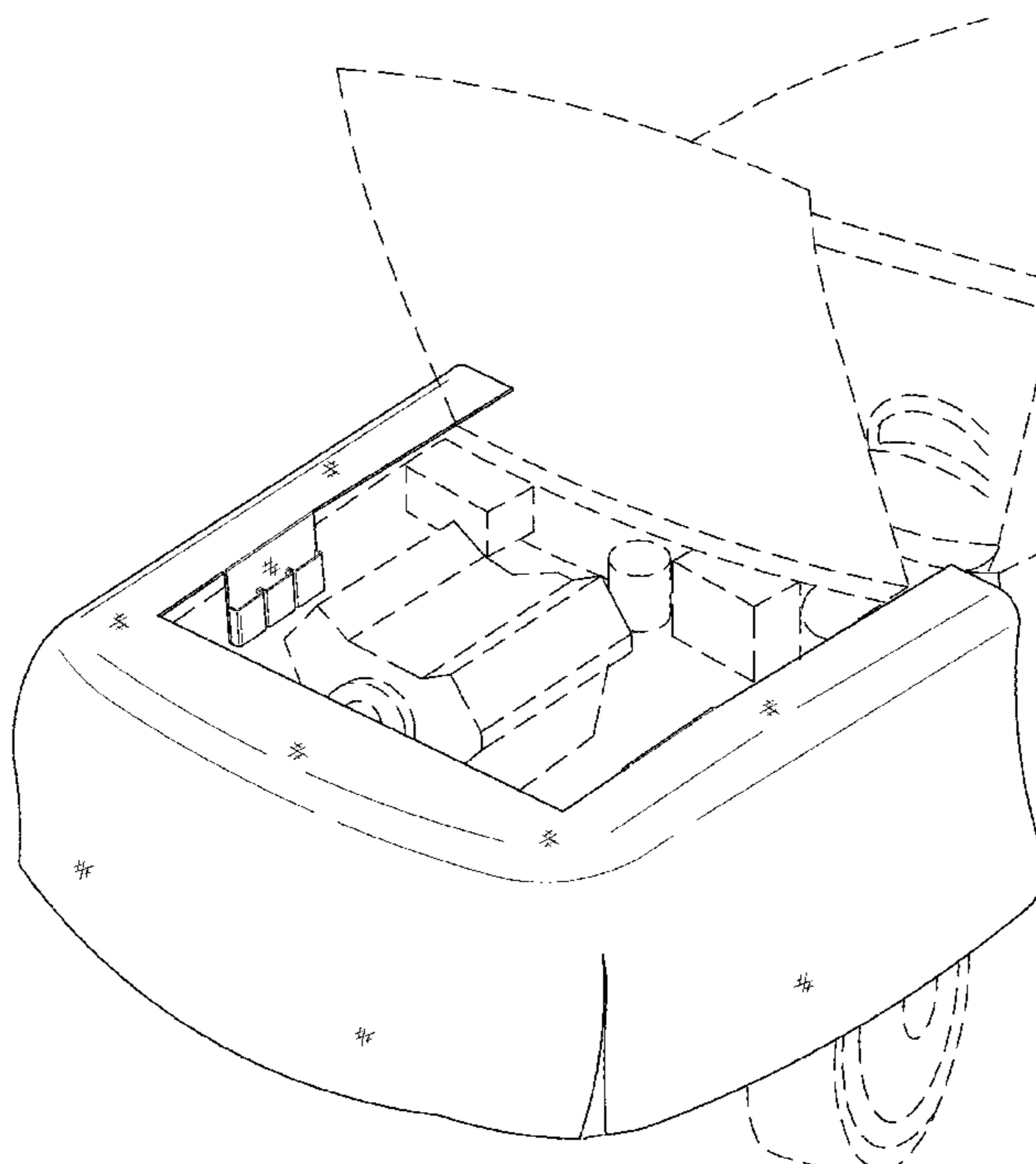
(57) **CLAIM**

The ornamental design for a vehicle cover, as shown and described.

DESCRIPTION

FIG. 1 is a front view of a vehicle cover showing my new design;
FIG. 2 is a rear view of the vehicle cover;
FIG. 3 is a left side view of the vehicle cover, a right side view being a mirror image thereof;
FIG. 4 is a top view of the vehicle cover;
FIG. 5 is a bottom view of the vehicle cover;
FIG. 6 is a top front side perspective view of the vehicle cover; and,
FIG. 7 is a top front side perspective view of the vehicle cover in use.
The broken lines are for illustrative purposes and form no part of the claimed design.

1 Claim, 5 Drawing Sheets



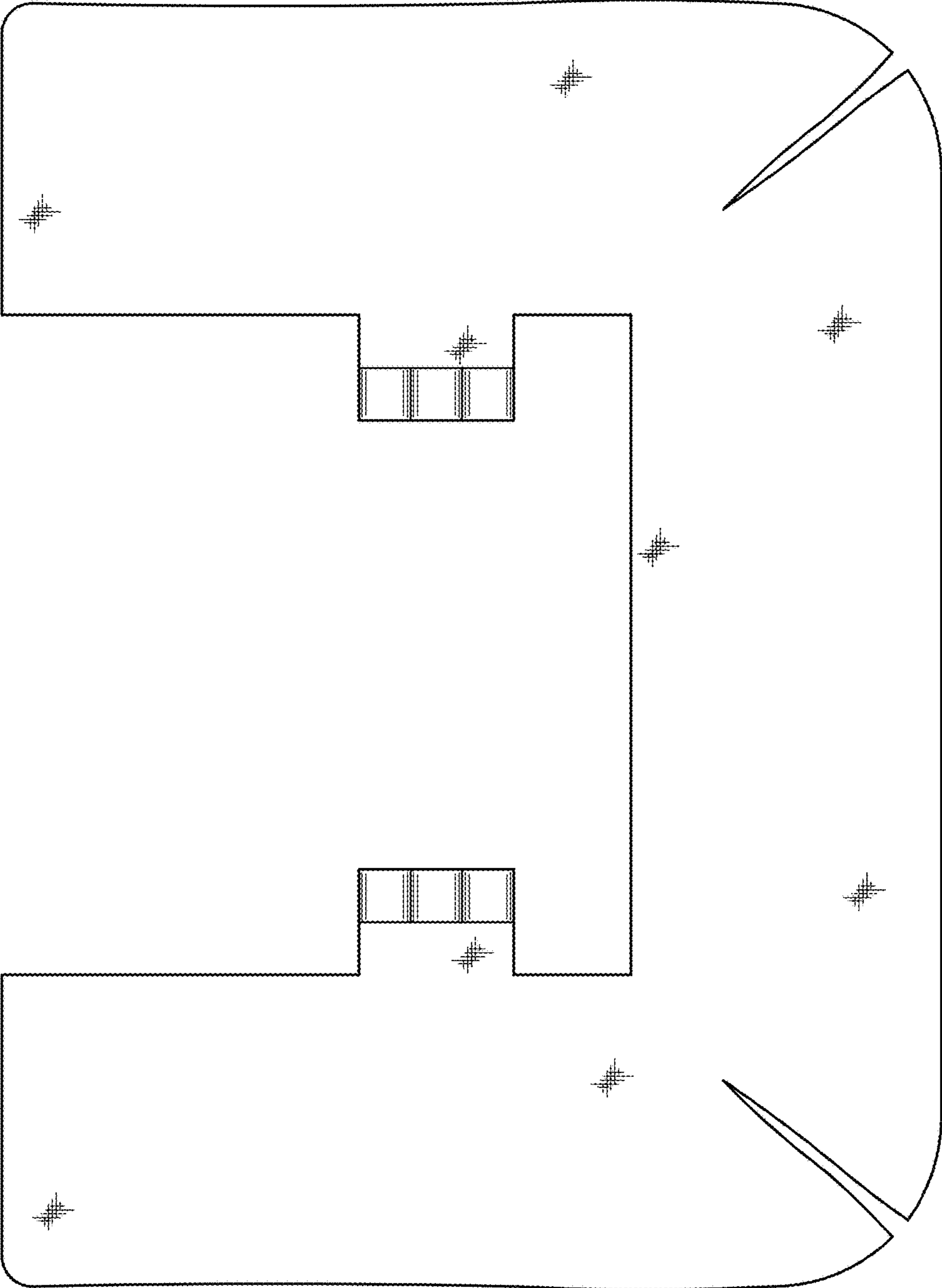


FIG. 1

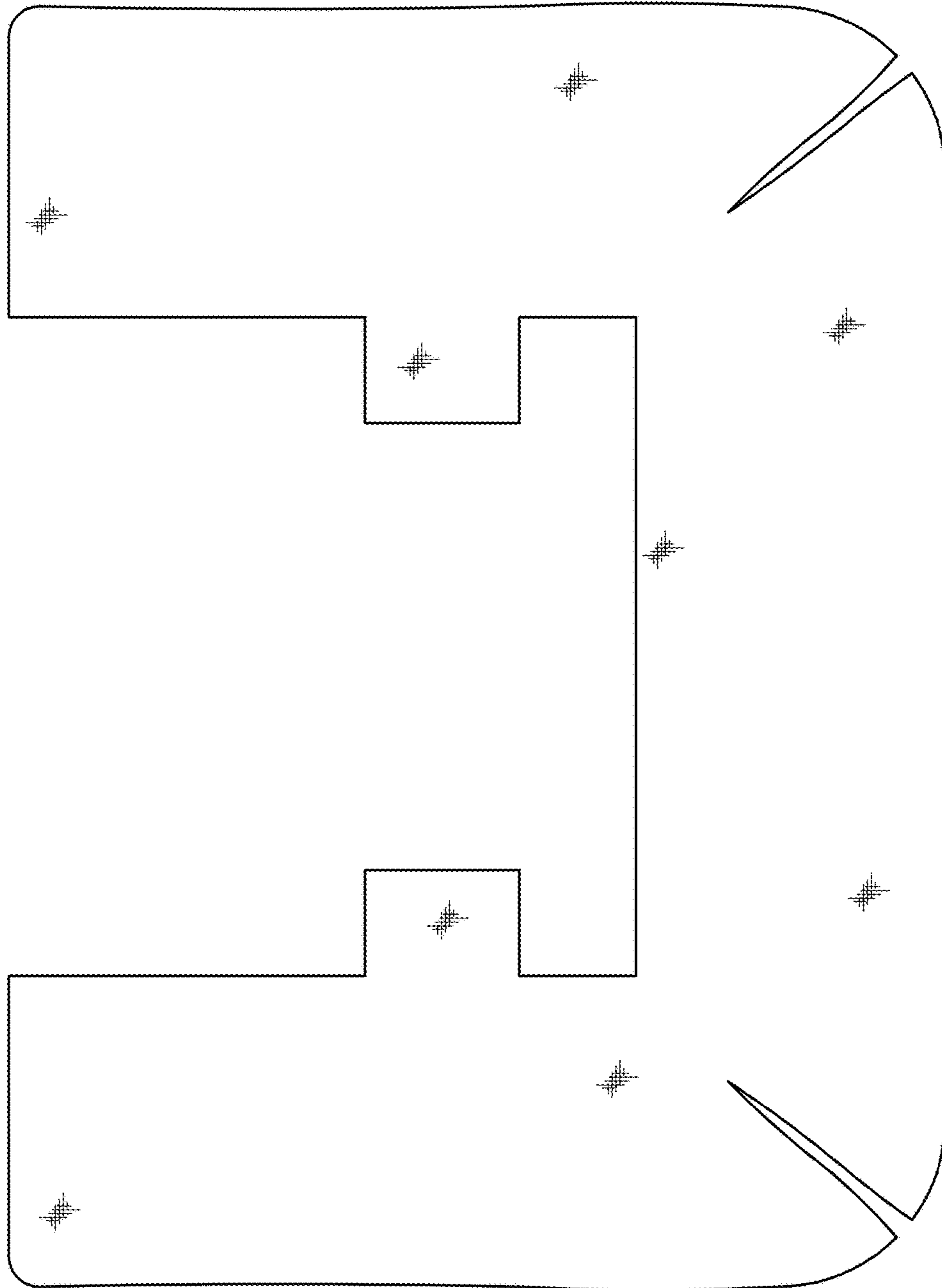


FIG. 2

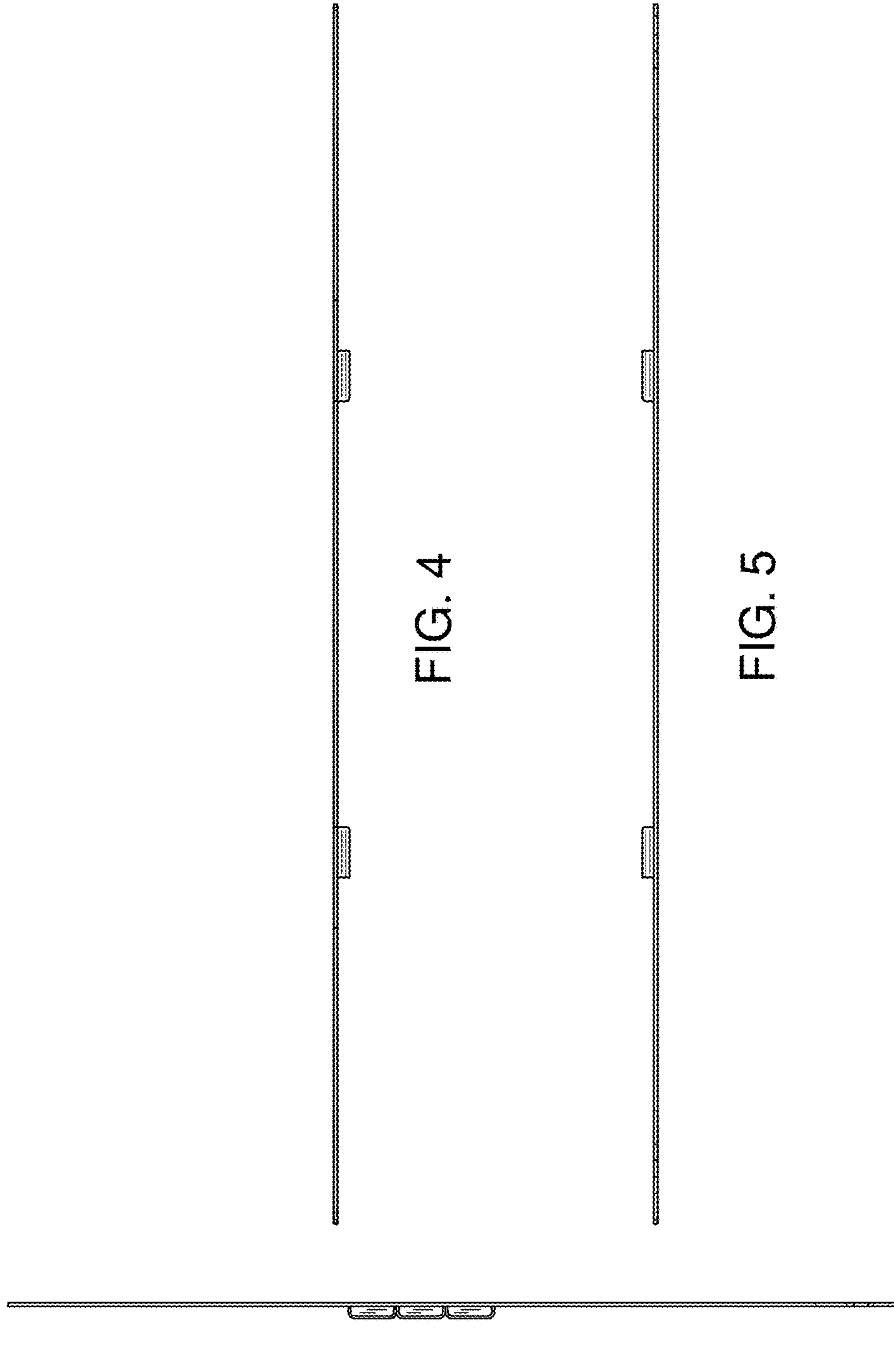


FIG. 4

FIG. 5

FIG. 3

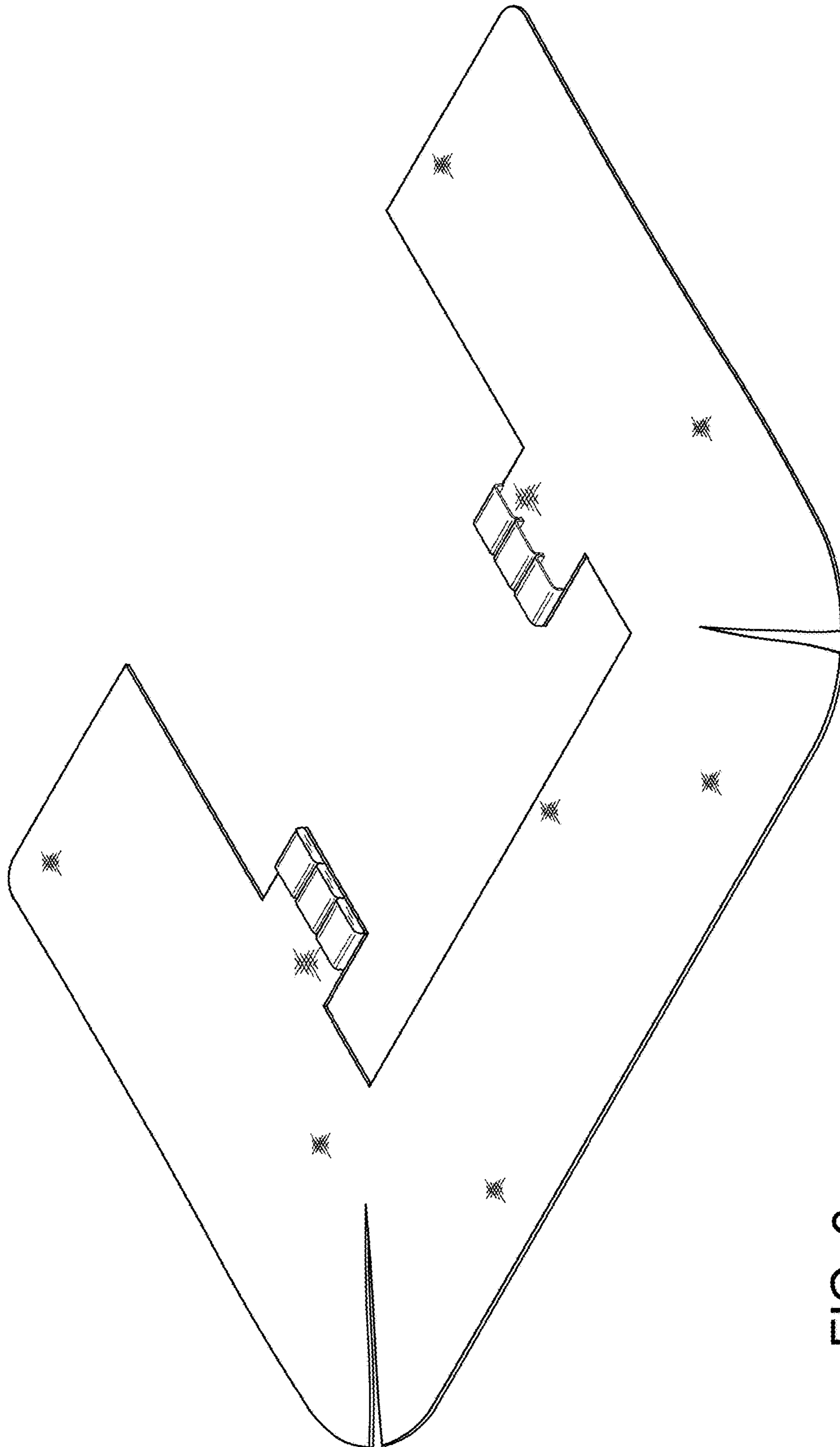


FIG. 6

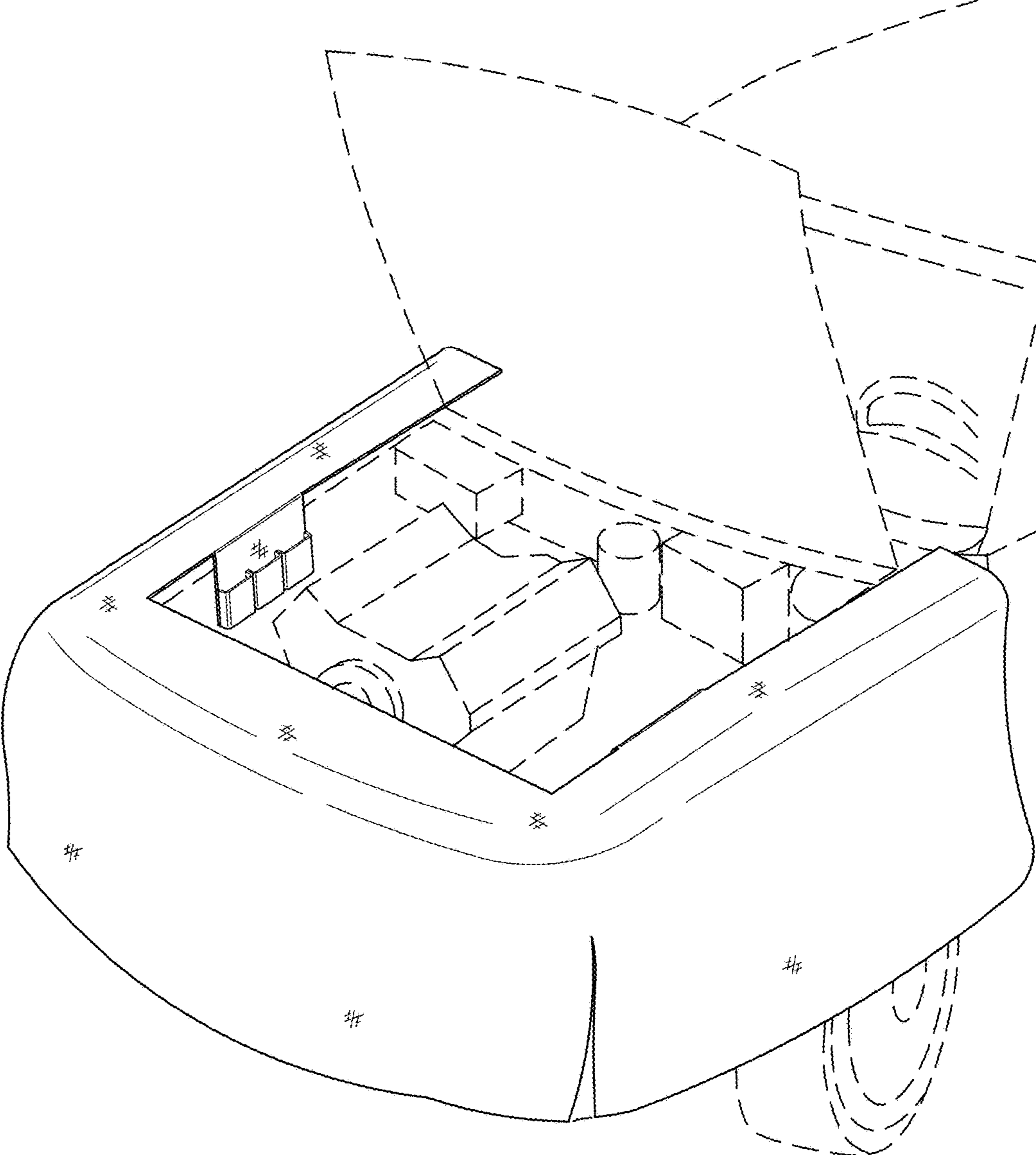


FIG. 7