



US00D852723S

(12) **United States Design Patent**
Iverson et al.

(10) **Patent No.:** **US D852,723 S**
(45) **Date of Patent:** **** Jul. 2, 2019**

(54) **PET BARRIER**

(71) Applicant: **MacNeil IP LLC**, Bolingbrook, IL (US)
(72) Inventors: **David S. Iverson**, Oak Brook, IL (US); **David F. MacNeil**, Fort Lauderdale, FL (US); **Frederick W. Masanek, Jr.**, Barrington, IL (US)
(73) Assignee: **MacNeil IP LLC**, Bolingbrook, IL (US)

(**) Term: **15 Years**

(21) Appl. No.: **29/611,434**

(22) Filed: **Jul. 21, 2017**

(51) **LOC (11) Cl.** **12-16**

(52) **U.S. Cl.**
USPC **D12/400**

(58) **Field of Classification Search**
USPC D8/356, 382; D12/159, 162, 168, 169, D12/172, 174, 182, 190, 215, 223, 400, D12/406, 408, 412, 414, 415, 420, 426
CPC A47B 57/18; A47B 57/265; A47B 57/545; A47B 57/565; A47B 81/005; A47B 96/1416; A47B 96/1466; A47B 96/1475; A47B 96/1483; A47F 5/06; A61M 25/002; A61B 90/57; A63B 63/004; B60N 2/5825; B60R 7/02; B60R 7/04; B60R 7/043; B60R 7/08; B60R 7/14; B60R 13/013; B60R 19/023; B60R 19/24; B60R 19/56; B65D 11/1833; B65D 11/186; B65D 11/1873; B65D 13/00; B65H 75/143; B65H 75/40; B62D 33/0273; B68G 7/12; E04D 13/1656; F16B 21/071; F16B 21/073; F16B 5/0642; F16G 11/00; F16G 11/10; F16G 11/14; F16L 3/223; H02G 1/08; H02G 1/081; H02G 11/02; H02G 3/00; H04R 1/1033; H05K 7/1457

See application file for complete search history.

(56) **References Cited**

U.S. PATENT DOCUMENTS

2,219,169 A 10/1940 Alter
2,891,257 A * 6/1959 Posey A61G 7/0755
5/651
2,903,227 A 9/1959 Key
2,982,579 A * 5/1961 Greenwald B60R 21/026
160/216
3,044,800 A * 7/1962 Wicker B60R 21/026
108/149
3,949,706 A * 4/1976 Coon, Jr. A01D 87/127
119/58

(Continued)

OTHER PUBLICATIONS

WeatherTech Pet Barrier from Auto Anything, image post date Jan 29, 2010, site visited Jul. 13, 2018,, (online), <<https://www.autoanything.com/pet-travel/69A5164A0A0.aspx>>.*

(Continued)

Primary Examiner — Kevin K Rudzinski
(74) *Attorney, Agent, or Firm* — Perkins IP Law Group LLC; Jefferson Perkins

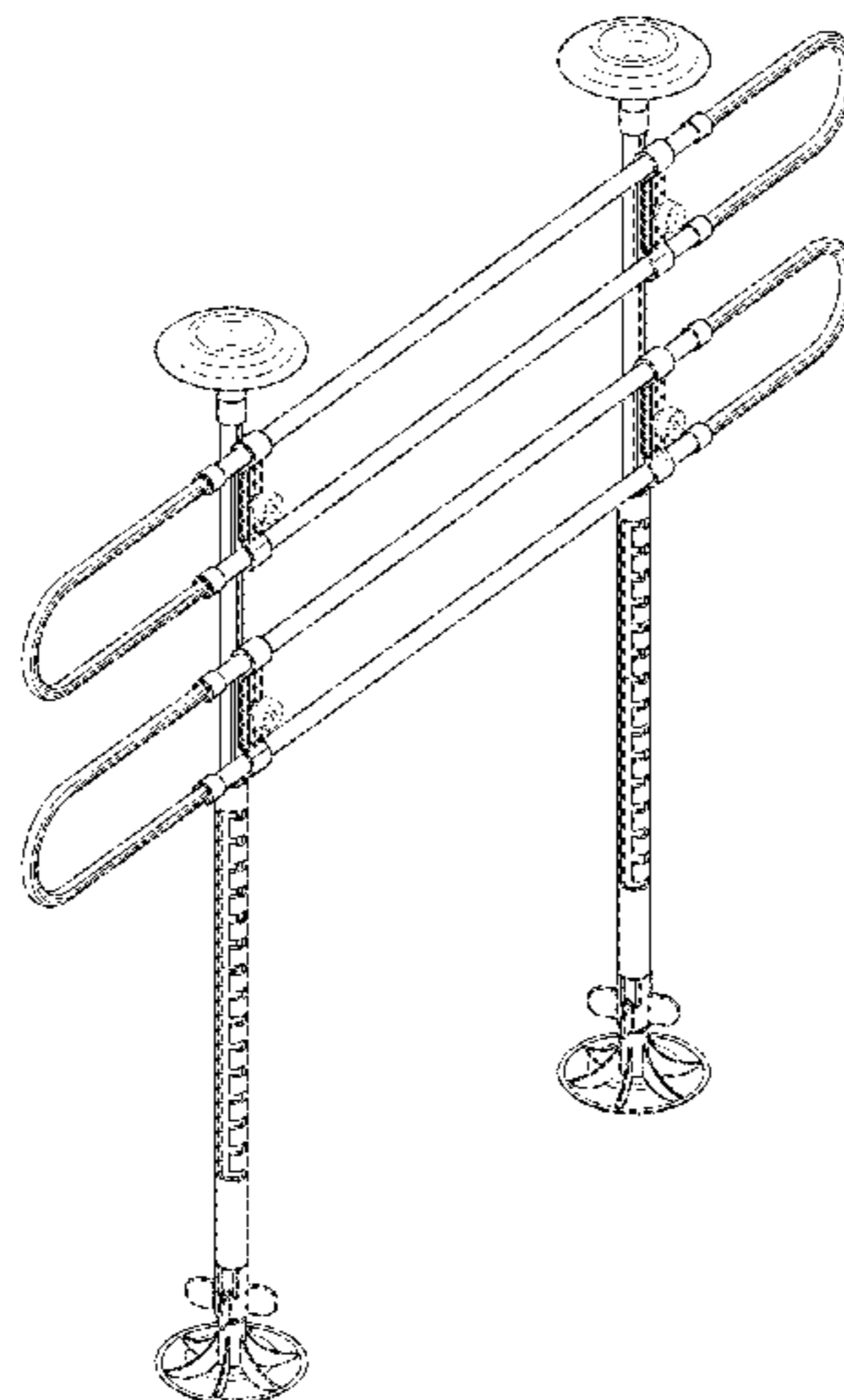
(57) **CLAIM**

We claim the ornamental design for a pet barrier, as shown and described.

DESCRIPTION

FIG. 1 is a perspective view of our design; FIG. 2 is a front elevation view thereof; FIG. 3 is a left side elevation view thereof; FIG. 4 is a right side elevation view thereof; FIG. 5 is a rear elevation view thereof; FIG. 6 is a top plan view thereof; and, FIG. 7 is a bottom plan view thereof. The broken lines illustrate portions of the pet barrier that form no part of the claimed design.

1 Claim, 4 Drawing Sheets



(56)

References Cited

U.S. PATENT DOCUMENTS

4,653,562 A * 3/1987 Moss B60J 1/20
160/105
4,870,925 A * 10/1989 Troutman A01K 1/0272
119/453
4,986,706 A * 1/1991 Williams, Jr. B60P 7/14
410/129
D326,076 S * 5/1992 Wiese D30/119
5,363,618 A 11/1994 Underwood
5,409,029 A 4/1995 Davis
D393,622 S * 4/1998 Goertzen D12/426
5,800,145 A * 9/1998 Kelce B60P 7/14
410/121
5,824,253 A 10/1998 Kassardjian et al.
5,924,469 A 7/1999 Whittemore
6,012,753 A * 1/2000 Ordoyne B60R 21/026
119/496
D433,354 S 11/2000 Donets
6,499,434 B1 * 12/2002 Tyler A01K 1/0272
119/453
D473,838 S * 4/2003 Wang D12/414
6,799,534 B1 * 10/2004 Wang B60R 21/06
119/412
6,848,732 B2 * 2/2005 Green B60R 7/087
224/498
6,923,487 B1 * 8/2005 Wang B60R 21/06
119/771
7,017,520 B2 * 3/2006 Wang B60R 21/026
119/412
D528,965 S * 9/2006 Wang D12/406
D572,115 S * 7/2008 Cunningham D12/317
7,900,801 B2 * 3/2011 Huang B60R 9/10
211/17
8,226,056 B2 7/2012 Kallman
8,678,021 B2 3/2014 Vasilatos et al.
8,746,266 B2 6/2014 Palmer et al.
8,864,001 B2 * 10/2014 Langseder B60R 5/041
224/405
D722,942 S * 2/2015 Renforth D12/400
8,973,964 B2 * 3/2015 Link A01K 1/0272
296/24.31
D729,723 S * 5/2015 Reed D12/426
D738,712 S * 9/2015 Cooper D8/382
D741,480 S * 10/2015 Chavan D24/145
9,174,599 B2 * 11/2015 Wang B60R 21/026
D764,161 S 8/2016 Vasilatos et al.
9,421,932 B2 * 8/2016 Renforth B60R 21/026
D771,898 S * 11/2016 Albuja D1/125
D776,587 S * 1/2017 Nussbaumer D12/183

9,566,923 B2 * 2/2017 Wylezinski B60R 19/023
9,822,807 B2 * 11/2017 Link F16B 5/0004
D808,786 S * 1/2018 Nehl D8/385
D812,334 S * 3/2018 Grimes D34/27
9,963,078 B1 * 5/2018 Zimmermann B60R 7/14
D819,531 S * 6/2018 Ye D12/182
D821,955 S * 7/2018 Dexter D12/221
D822,291 S * 7/2018 Spinelli D30/108
2003/0057722 A1 * 3/2003 Dolman B60R 21/026
296/24.43
2007/0210597 A1 * 9/2007 Wang B60R 21/06
296/24.43
2008/0005967 A1 * 1/2008 Johnson A01K 1/0236
49/61
2011/0023788 A1 * 2/2011 Beechie B60R 21/026
119/172
2011/0185867 A1 * 8/2011 MacNeil B26F 3/00
83/53
2012/0181808 A1 * 7/2012 Reed A01K 1/0272
296/24.31
2013/0291913 A1 11/2013 Soletski et al.
2014/0190089 A1 * 7/2014 Alarcon A47F 5/00
52/36.1
2014/0196394 A1 * 7/2014 Greeson H05K 7/1497
52/404.2
2015/0104285 A1 * 4/2015 Quinn B60P 7/135
414/800
2016/0095431 A1 * 4/2016 Chen A47B 67/005
248/476
2016/0339314 A1 * 11/2016 Parsons A63B 63/004
2017/0108024 A1 * 4/2017 Mayer B21J 15/043
2018/0050738 A1 * 2/2018 Lee B62D 33/0207
2018/0185724 A1 * 7/2018 Lalaoua A63B 63/004

OTHER PUBLICATIONS

WeatherTech Vehicle Pet Barrier, image post date Jul. 24, 2015, site visited Jul. 13, 2018, (online), <<https://www.realtruck.com/weathertech-vehicle-pet-barrier/>>.*
Highland 2004500 Black Universal Pet Barrier, image post date Nov. 21, 2013, site visited Jul. 13, 2018,, (online), <https://www.amazon.com/dp/B0002MABGE/ref=sspa_dk_detail_0?psc=1>.*
Expawlorer Vehicle Pet Barrier for SUV Dog Car Guard, image post date Feb. 4, 2017, site visited Jul. 13, 2018,, (online), <https://www.amazon.com/dp/B071VCVJWX/ref=sspa_dk_detail_2?psc=1>.*
MacNeil Automotive Products Limited, WeatherTech Pet Barrier, Instruction Manual, 3 pages, Mar. 2002.
MacNeil Automotive Products Limited, WeatherTech Pet Barrier, Extension Instruction Manual, 3 pages, Mar. 2002.

* cited by examiner

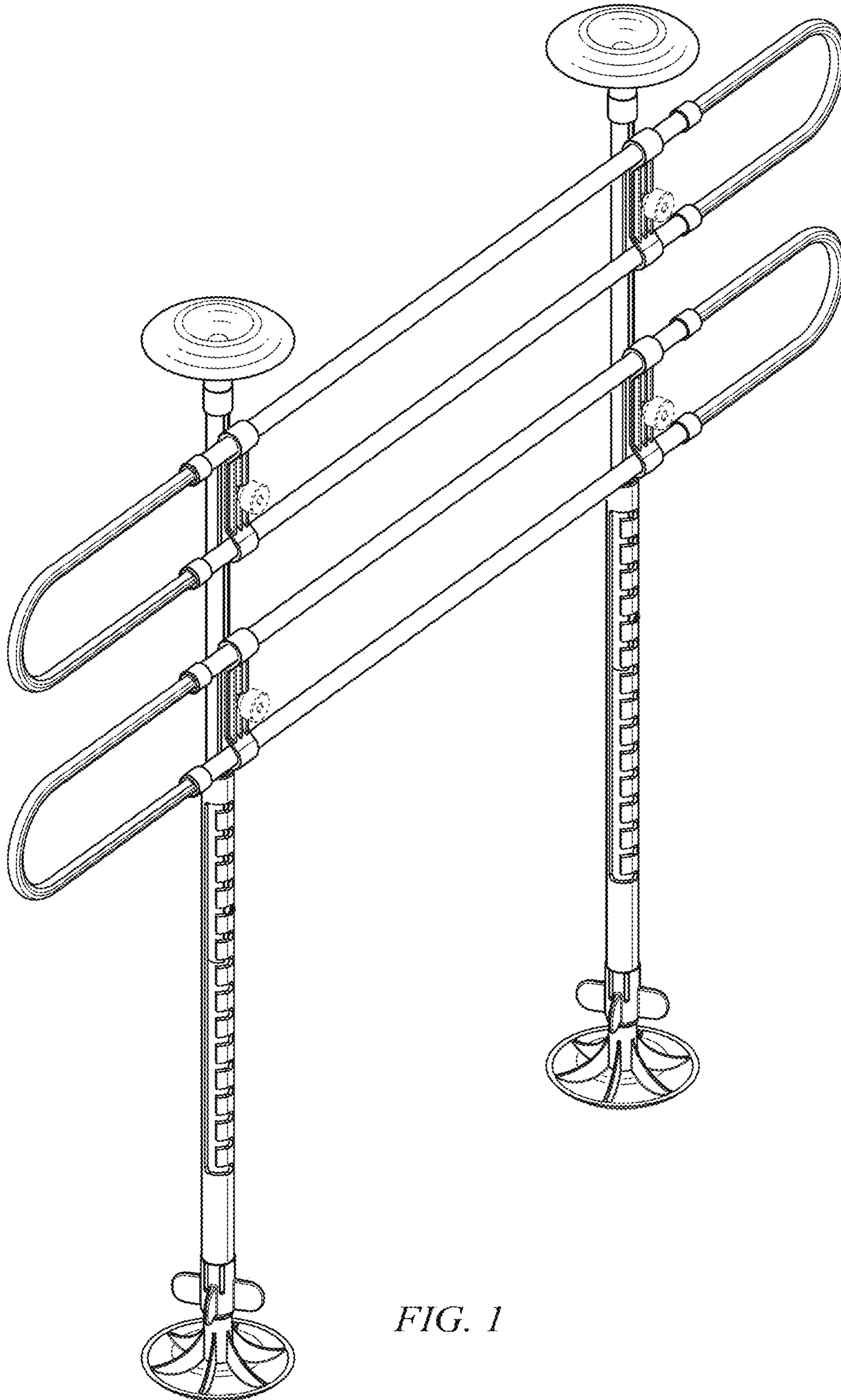


FIG. 1

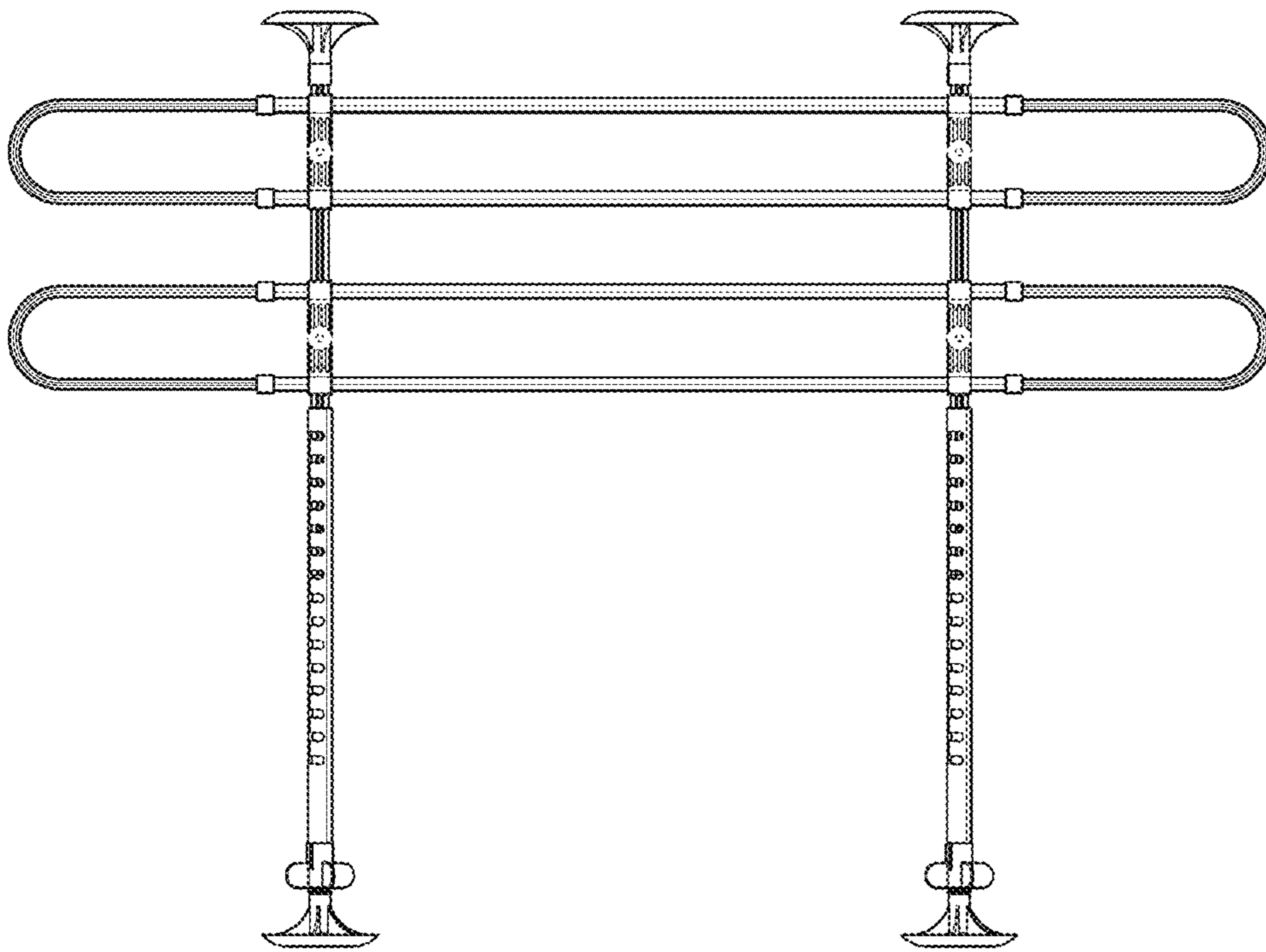


FIG. 2

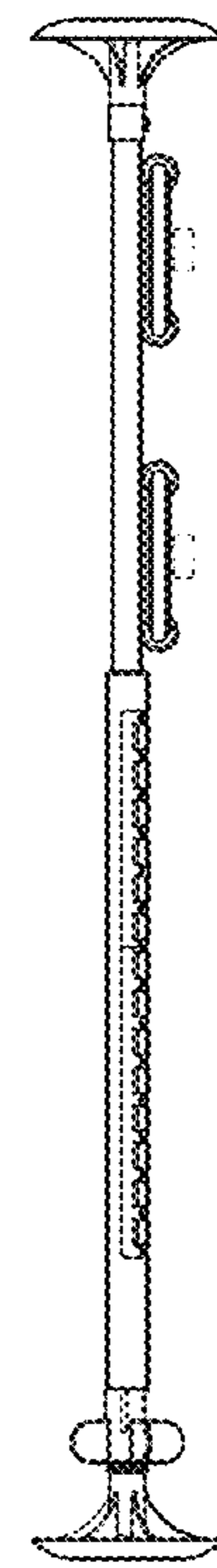


FIG. 3

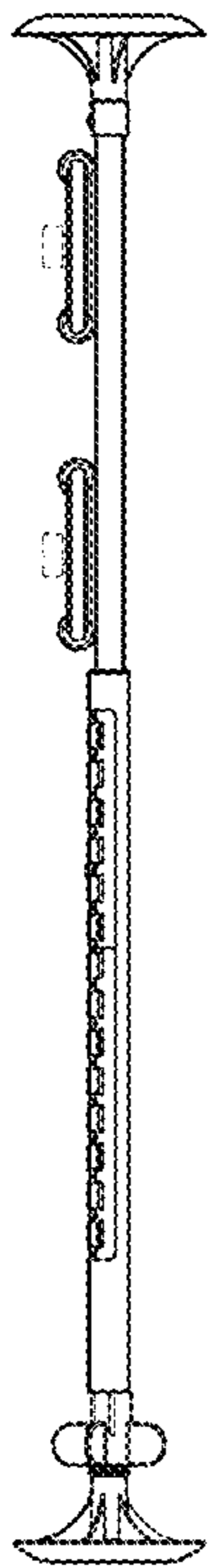


FIG. 4

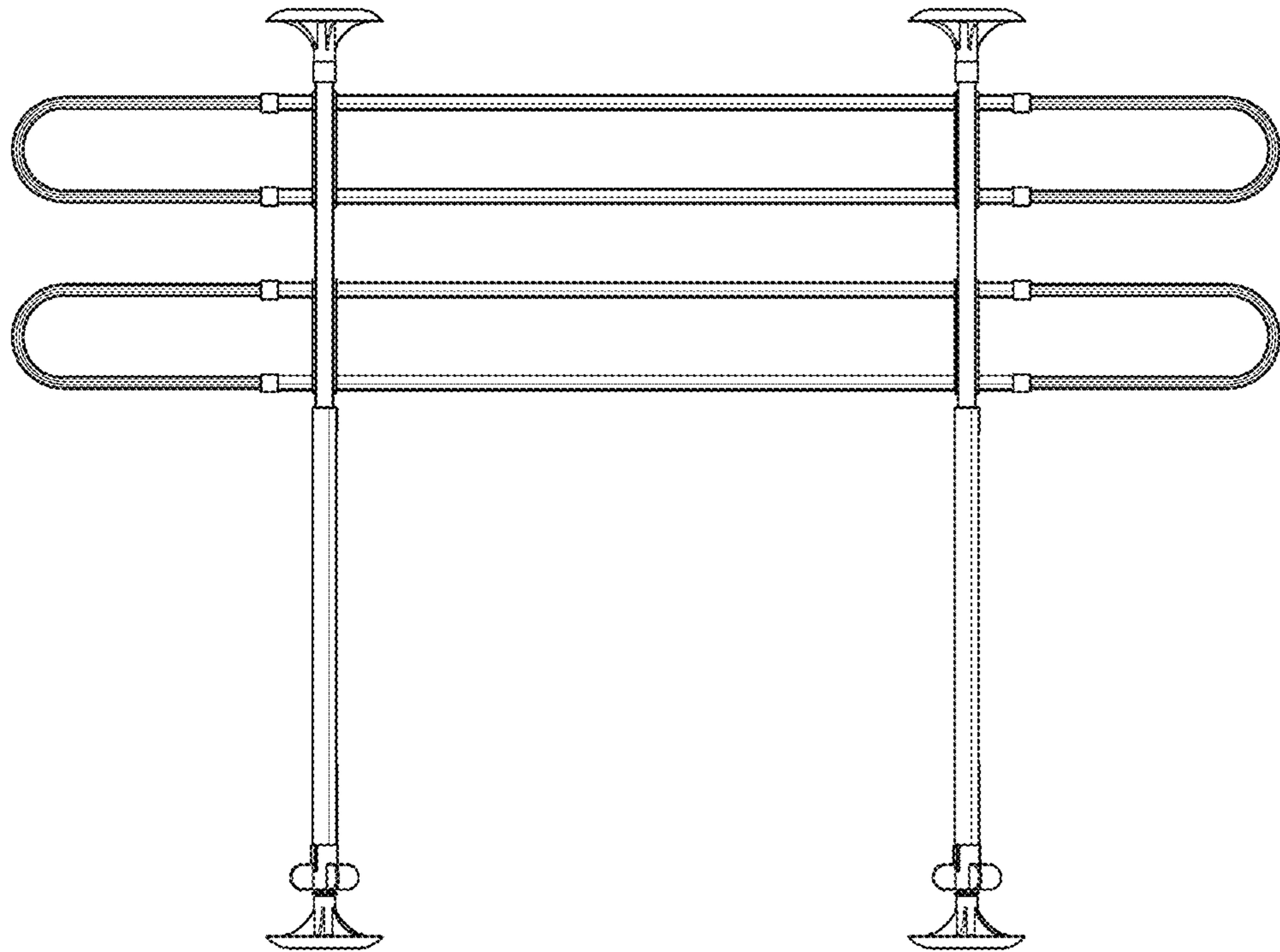


FIG. 5

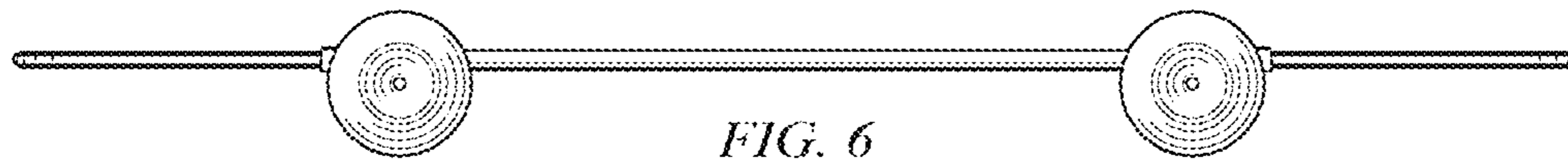


FIG. 6

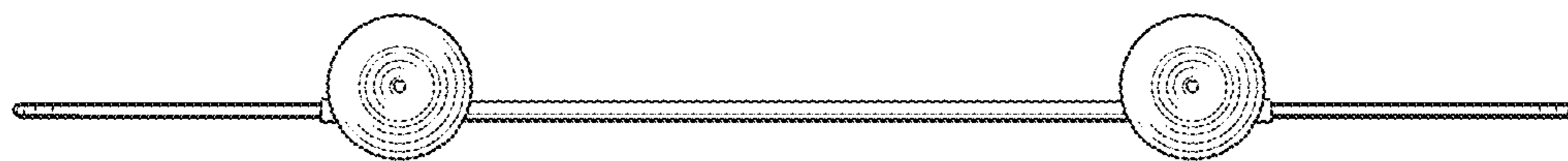


FIG. 7