



US00D852720S

(12) **United States Design Patent**  
**Zeldin**

(10) **Patent No.:** **US D852,720 S**

(45) **Date of Patent:** **\*\* Jul. 2, 2019**

(54) **BATTLESHIP**

(71) Applicant: **Steven A. Zeldin**, Newport Beach, CA  
(US)

(72) Inventor: **Steven A. Zeldin**, Newport Beach, CA  
(US)

(\*\*) Term: **15 Years**

(21) Appl. No.: **29/605,842**

(22) Filed: **May 31, 2017**

(51) **LOC (11) Cl.** ..... **12-07**

(52) **U.S. Cl.**  
USPC ..... **D12/320**

(58) **Field of Classification Search**  
USPC ..... D21/436, 447, 448, 449, 451, 452, 483,  
D21/533, 567; D12/320  
CPC ..... A63H 27/005; A63H 27/02; B64G 1/10;  
B64G 1/12; B64G 1/14  
See application file for complete search history.

(56) **References Cited**

**U.S. PATENT DOCUMENTS**

D90,840 S \* 10/1933 Ferris ..... D12/320  
D187,349 S \* 3/1960 Culver ..... D12/320

D188,550 S \* 8/1960 Yeager, Sr. .... D12/320  
D205,814 S \* 9/1966 Tecton ..... D12/320  
D208,338 S \* 8/1967 Tecton ..... D12/320  
D248,745 S \* 8/1978 Jager ..... D12/333  
D259,889 S \* 7/1981 Probed ..... D21/451  
D276,041 S \* 10/1984 Reyes ..... D12/343  
D518,116 S \* 3/2006 Leonov ..... D21/533  
D533,604 S \* 12/2006 Butler ..... D21/447  
D559,329 S \* 1/2008 Connally ..... D21/447  
D627,404 S \* 11/2010 Suzuki ..... D12/319  
D806,803 S \* 1/2018 Gould ..... D21/449

\* cited by examiner

*Primary Examiner* — George D. Kirschbaum

*Assistant Examiner* — Joseph J Kukella

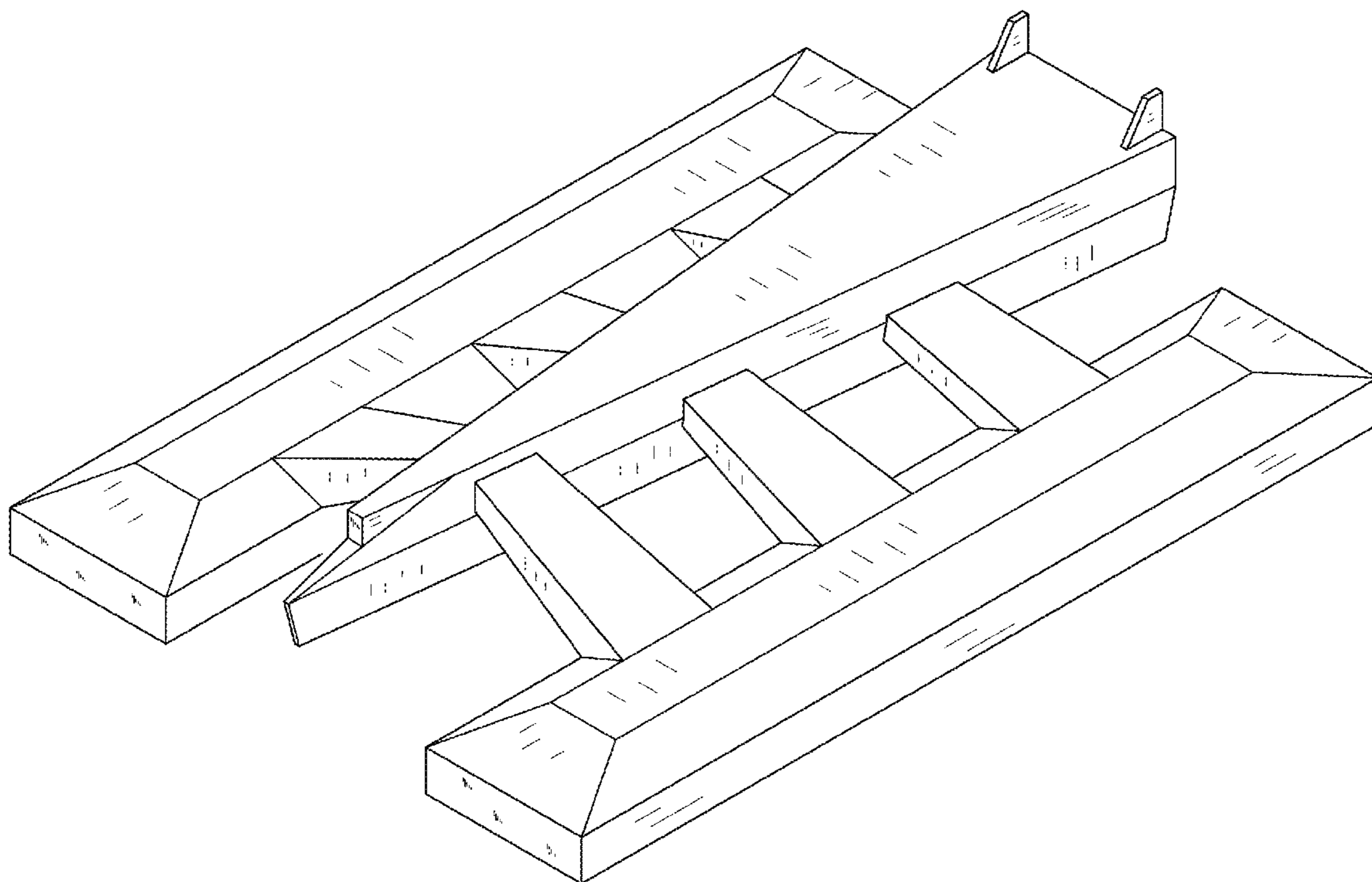
(57) **CLAIM**

I claim the ornamental design for a battleship, as shown and described.

**DESCRIPTION**

FIG. 1 is a top view of the battleship.  
FIG. 2 is a bottom view of the claimed design.  
FIG. 3 is a side view of the claimed design.  
FIG. 4 is a rear view of the claimed design.  
FIG. 5 is a front view of the claimed design; and,  
FIG. 6 is a perspective view of the claimed design.

**1 Claim, 5 Drawing Sheets**



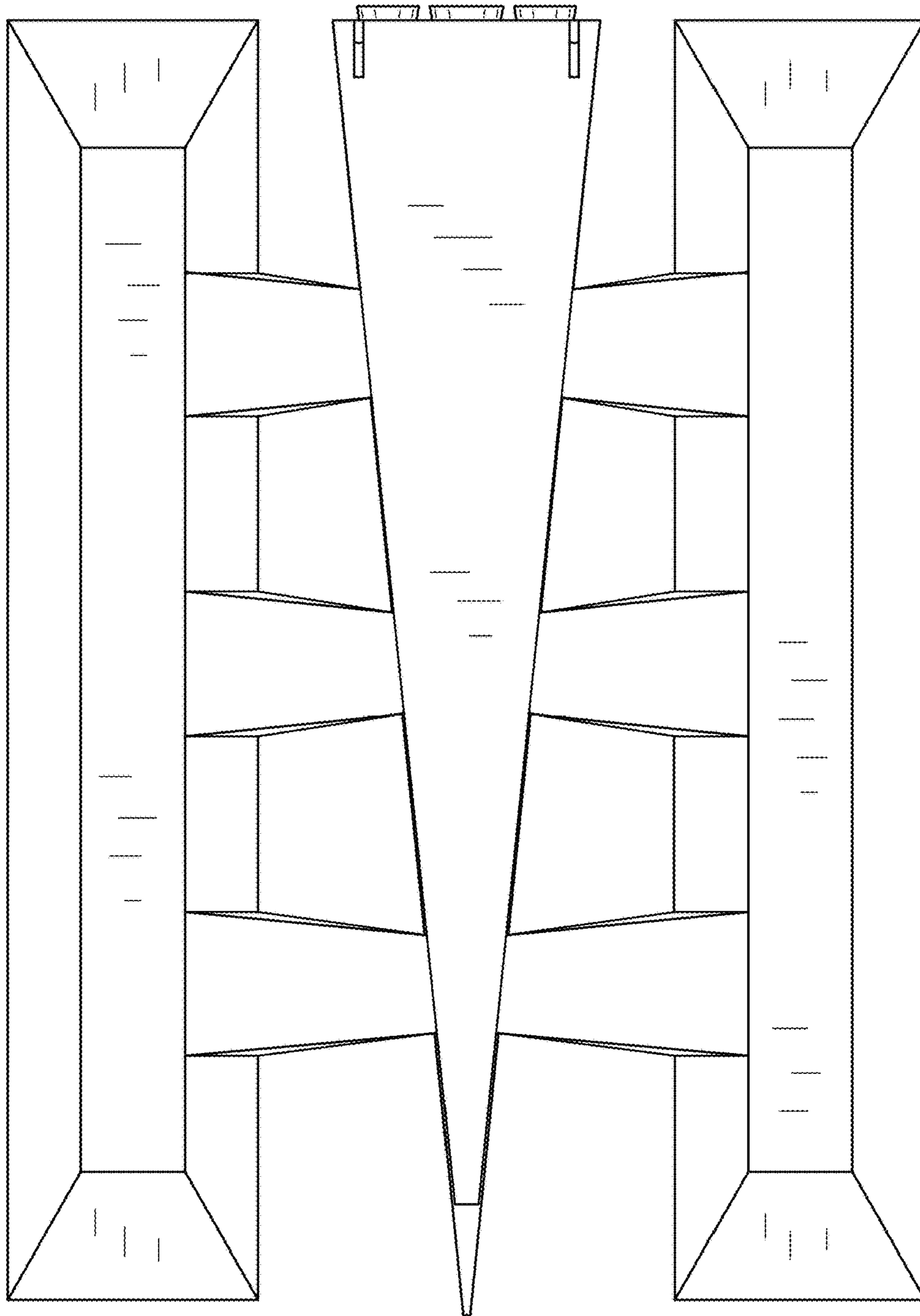


FIG. 1

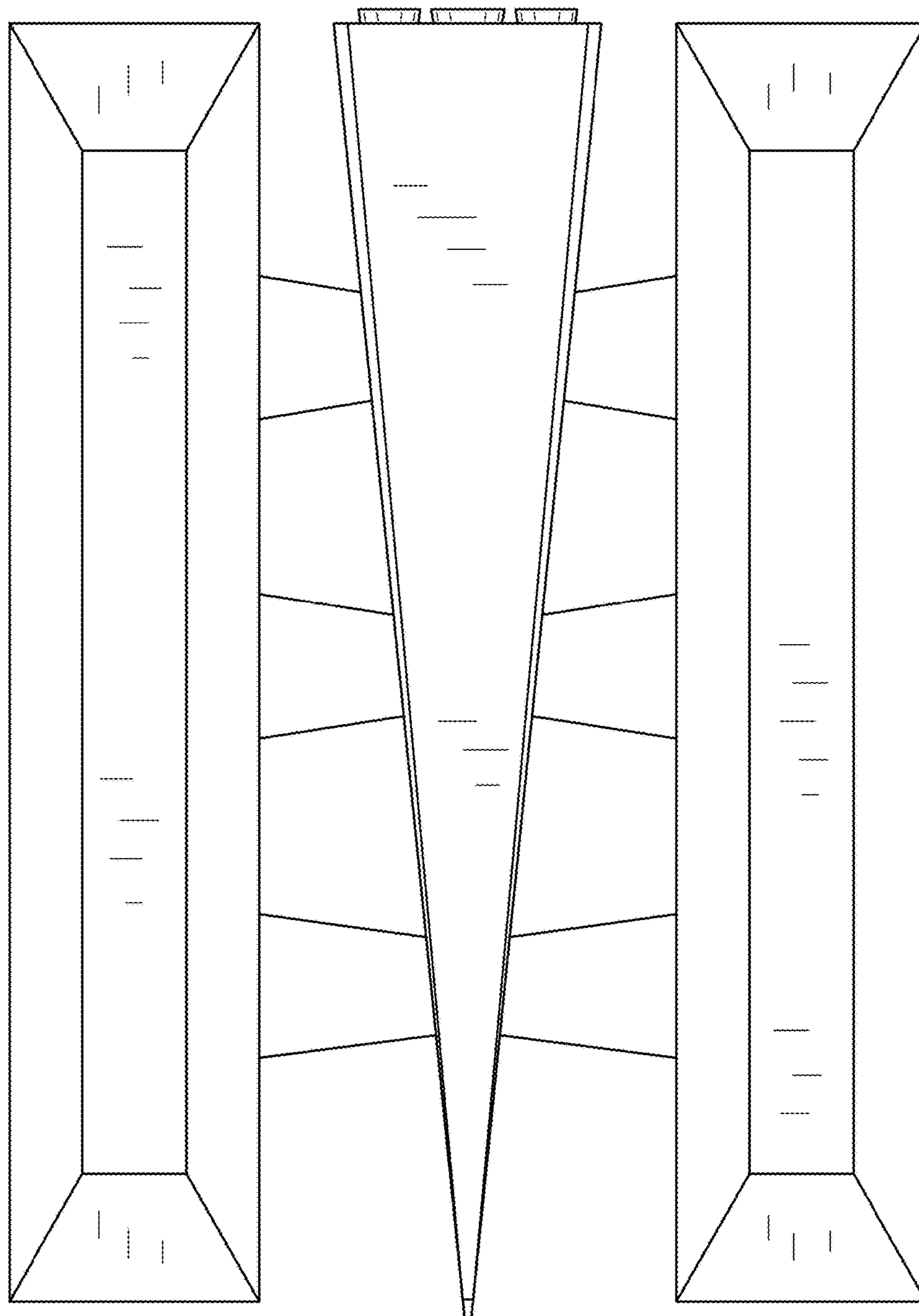


FIG. 2

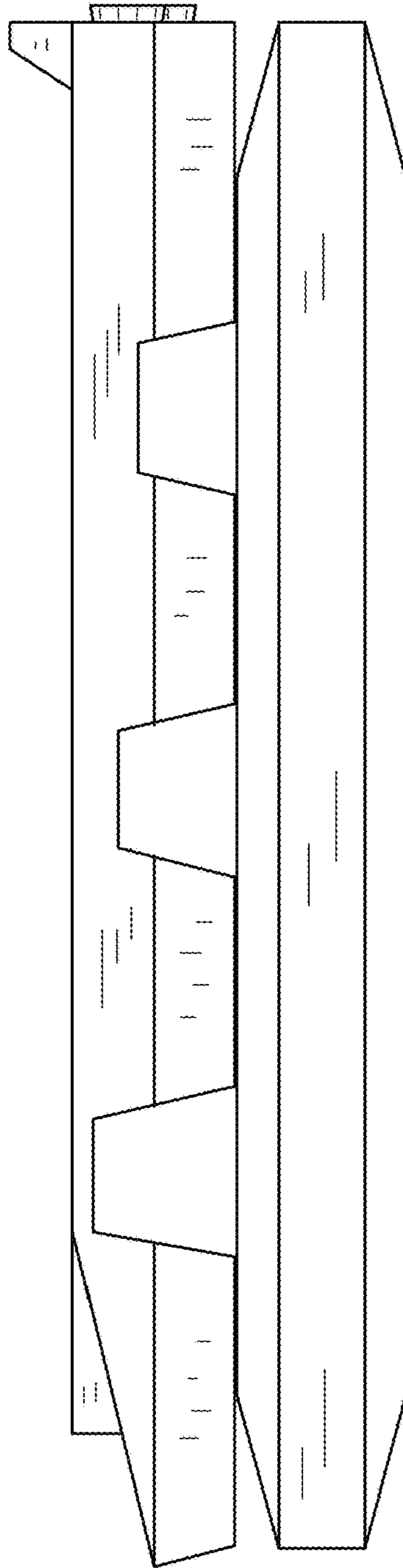


FIG. 3

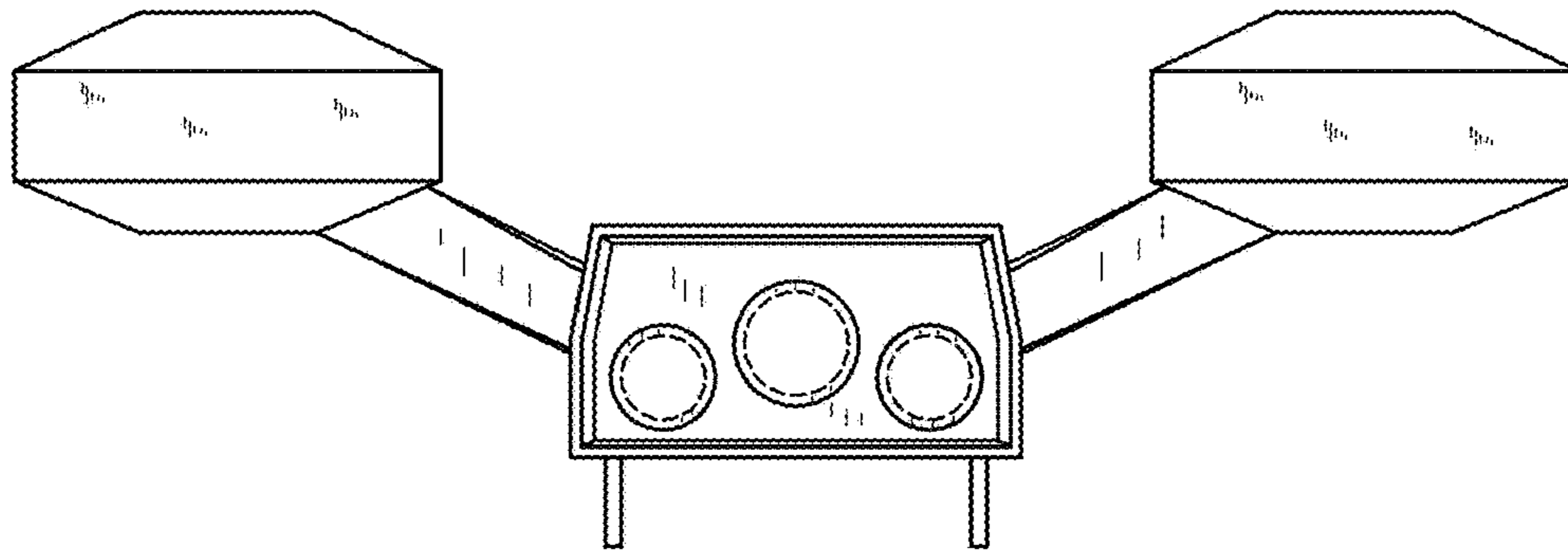


FIG. 4

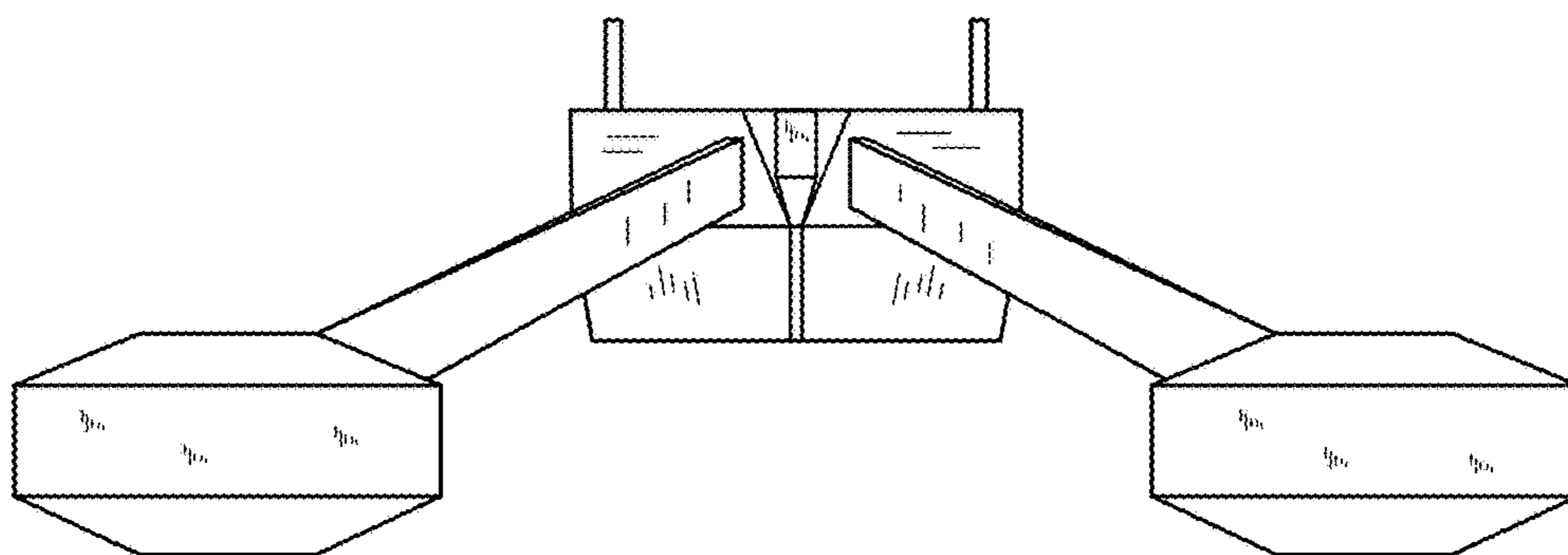


FIG. 5

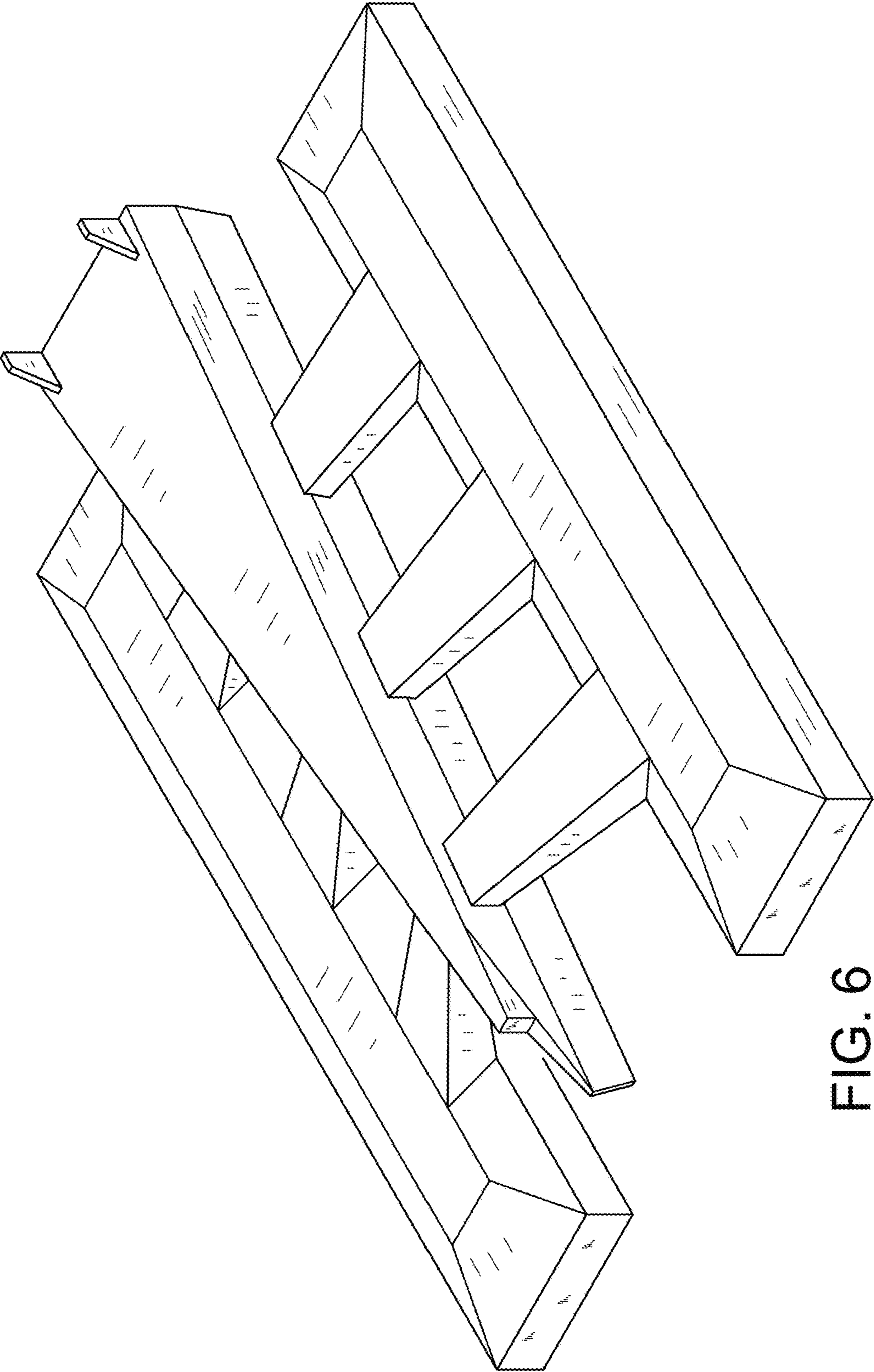


FIG. 6