



US00D852719S

(12) **United States Design Patent**
Urion

(10) **Patent No.:** **US D852,719 S**

(45) **Date of Patent:** **** Jul. 2, 2019**

(54) **WATERCRAFT HULL**

(71) Applicant: **Benjamin Stephen Urion**, Crystal Beach, FL (US)

(72) Inventor: **Benjamin Stephen Urion**, Crystal Beach, FL (US)

(**) Term: **15 Years**

(21) Appl. No.: **29/567,868**

(22) Filed: **Jun. 13, 2016**

(51) **LOC (11) Cl.** **12-06**

(52) **U.S. Cl.**
USPC **D12/314**

(58) **Field of Classification Search**
USPC D12/300, 302-306, 308, 310, 313-314, D12/316-318, 190, 194, 400; D21/506-507, 533, 542-545; D23/259, D23/266; D25/119-123, 128
CPC .. B63B 1/121; B63B 1/12; B63B 1/20; B63B 1/042; B63B 1/14; B63B 1/24; B63B 1/125; B63B 1/04; B63B 7/04; B63B 35/731; B63B 35/73; B63B 35/71; B63B 35/00; B63B 39/06; B63B 15/0083; B63G 8/001; B63G 8/08; B63G 8/00; B63G 2008/004; B63G 2008/005; B63G 2008/002; B21D 22/025

See application file for complete search history.

(56) **References Cited**

U.S. PATENT DOCUMENTS

3,959,837	A *	6/1976	Archibald	B63B 23/62 114/343
D387,324	S *	12/1997	Beulac	D12/300
D390,184	S *	2/1998	Van Skyhawk	D12/300
D395,636	S *	6/1998	Pierce	D12/300
D397,081	S *	8/1998	Arvilla	D12/315
D402,618	S *	12/1998	Veazey	D12/300
7,487,736	B2 *	2/2009	Daley	B63B 1/042 114/271

(Continued)

OTHER PUBLICATIONS

Fast Company: Catamaran or V-Bottom?, Posted at boats.com, Posted on Apr. 18, 2013, Site Visited Feb. 1, 2018, <<http://www.boats.com/reviews/fast-company-catamaran-or-v-bottom/#.WnNuuzN95aQ>>.*

(Continued)

Primary Examiner — Barbara Fox

Assistant Examiner — Messina L Smith

(74) *Attorney, Agent, or Firm* — Paul Murty; Nilay J. Choksi; Smith & Hopen, P.A.

(57) **CLAIM**

The ornamental design for a watercraft hull, as shown and described.

DESCRIPTION

FIG. 1 is a front perspective view of a watercraft hull, showing the novel design.

FIG. 2 is a rear perspective view of the watercraft hull shown in FIG. 1.

FIG. 3 is a top plan view of the watercraft hull shown in FIG. 1.

FIG. 4 is a bottom plan view of the watercraft hull shown in FIG. 1.

FIG. 5 is a right side elevation view of the watercraft hull shown in FIG. 1.

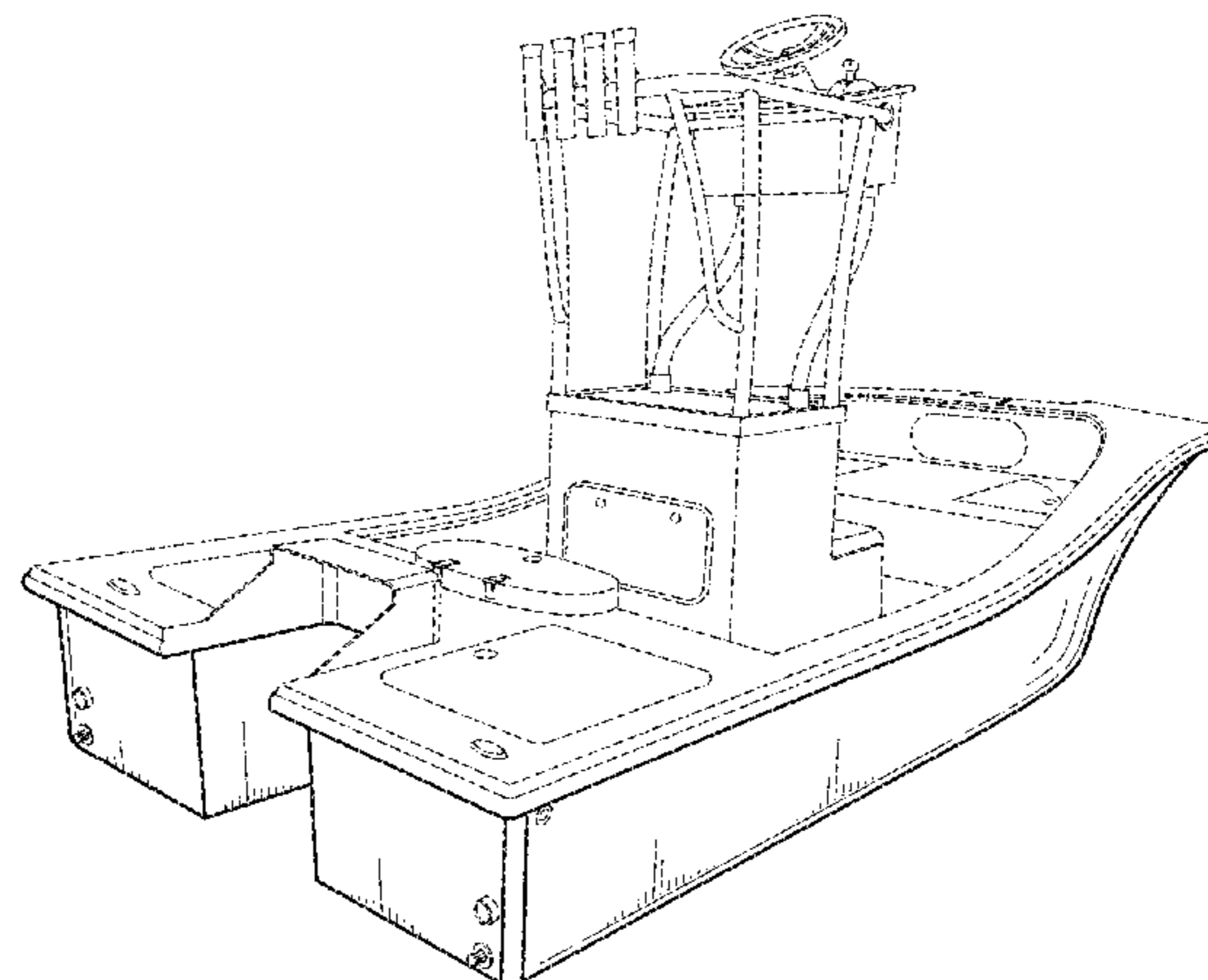
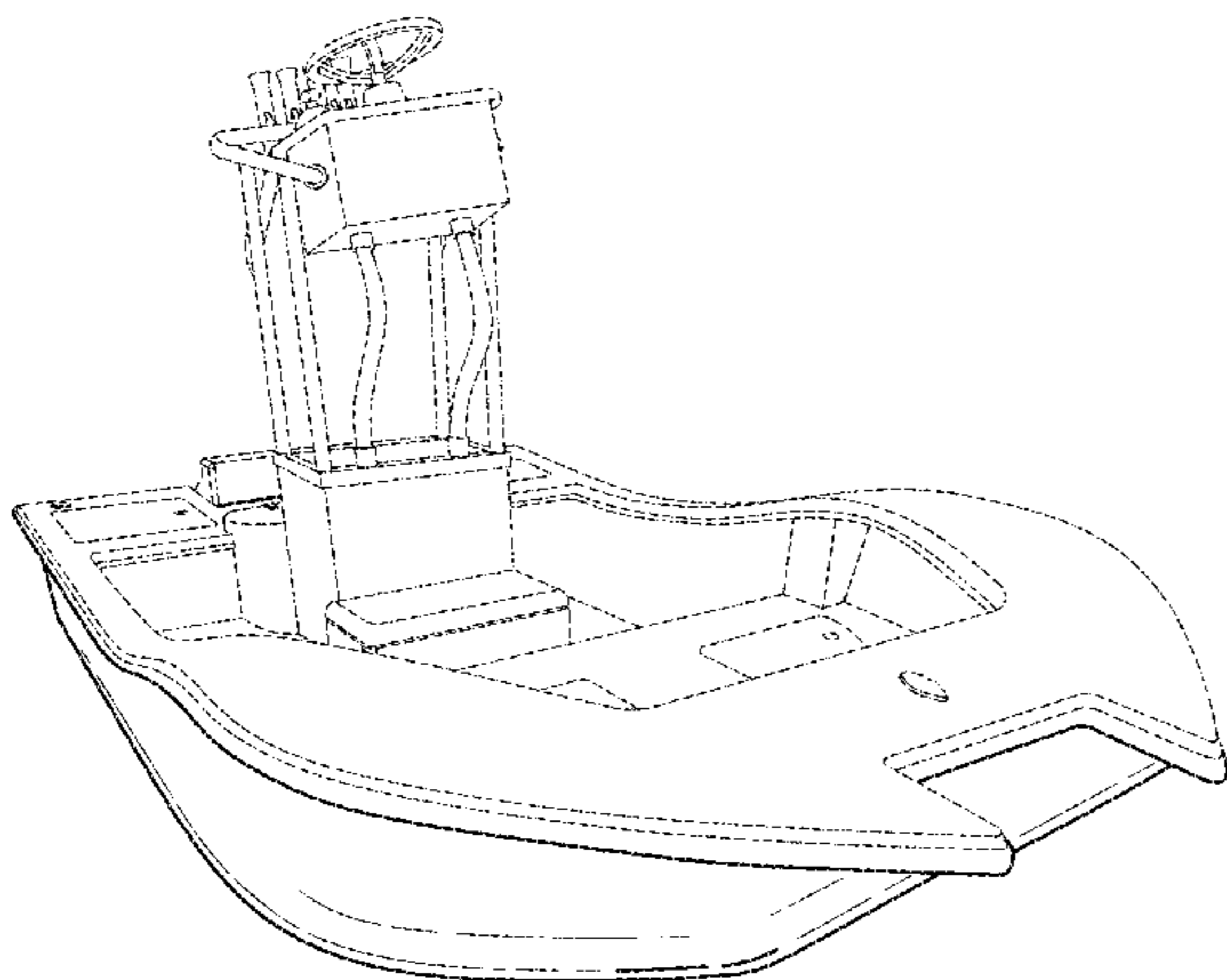
FIG. 6 is left side elevation view of the watercraft shown in FIG. 1.

FIG. 7 is front elevation view of the watercraft hull shown in FIG. 1; and,

FIG. 8 is rear elevation view of the watercraft hull shown in FIG. 1.

The broken lines showing the steering wheel and tower depict environment and forms no part of the claimed design. All other broken lines depict portions of the watercraft hull that form no part of the claimed design.

1 Claim, 8 Drawing Sheets



(56)

References Cited

U.S. PATENT DOCUMENTS

7,963,240 B1 * 6/2011 Werner B63B 1/121
114/288
D662,028 S * 6/2012 Finbow D12/317
D686,969 S * 7/2013 Finbow D12/318
D715,726 S * 10/2014 Curts D12/317
2006/0189249 A1 * 8/2006 Wong A63H 23/04
446/165
2006/0260527 A1 * 11/2006 Ackerbloom B63B 1/20
114/288

OTHER PUBLICATIONS

2016 Boat Buyer's Guide, Posted at onthewater.com, Posted on
Nov. 19, 2015, Site Visited Feb. 1, 2018, <<http://www.onthewater.com/2016-boat-buyers-guide-k-o/>>.*

* cited by examiner

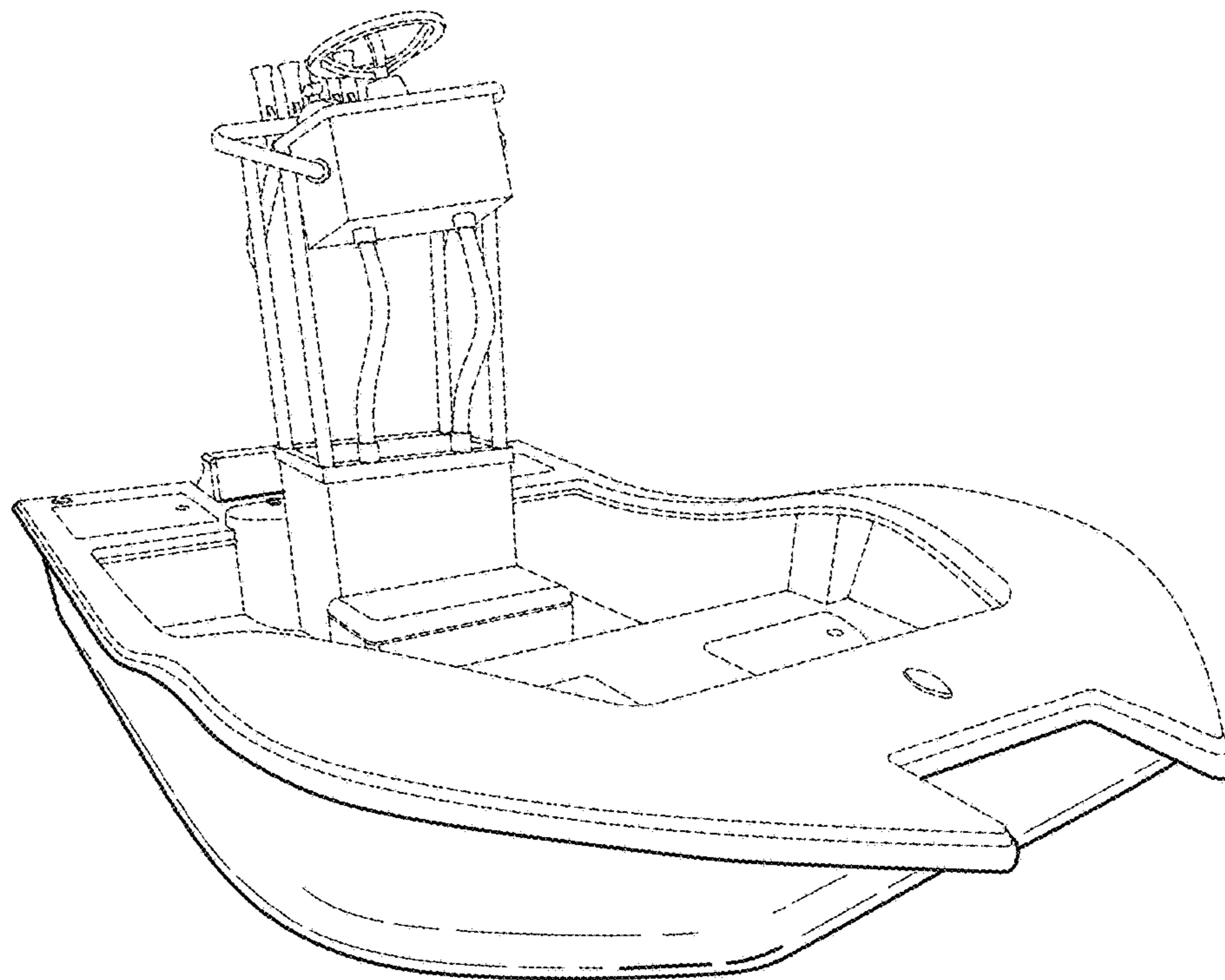


FIG. 1

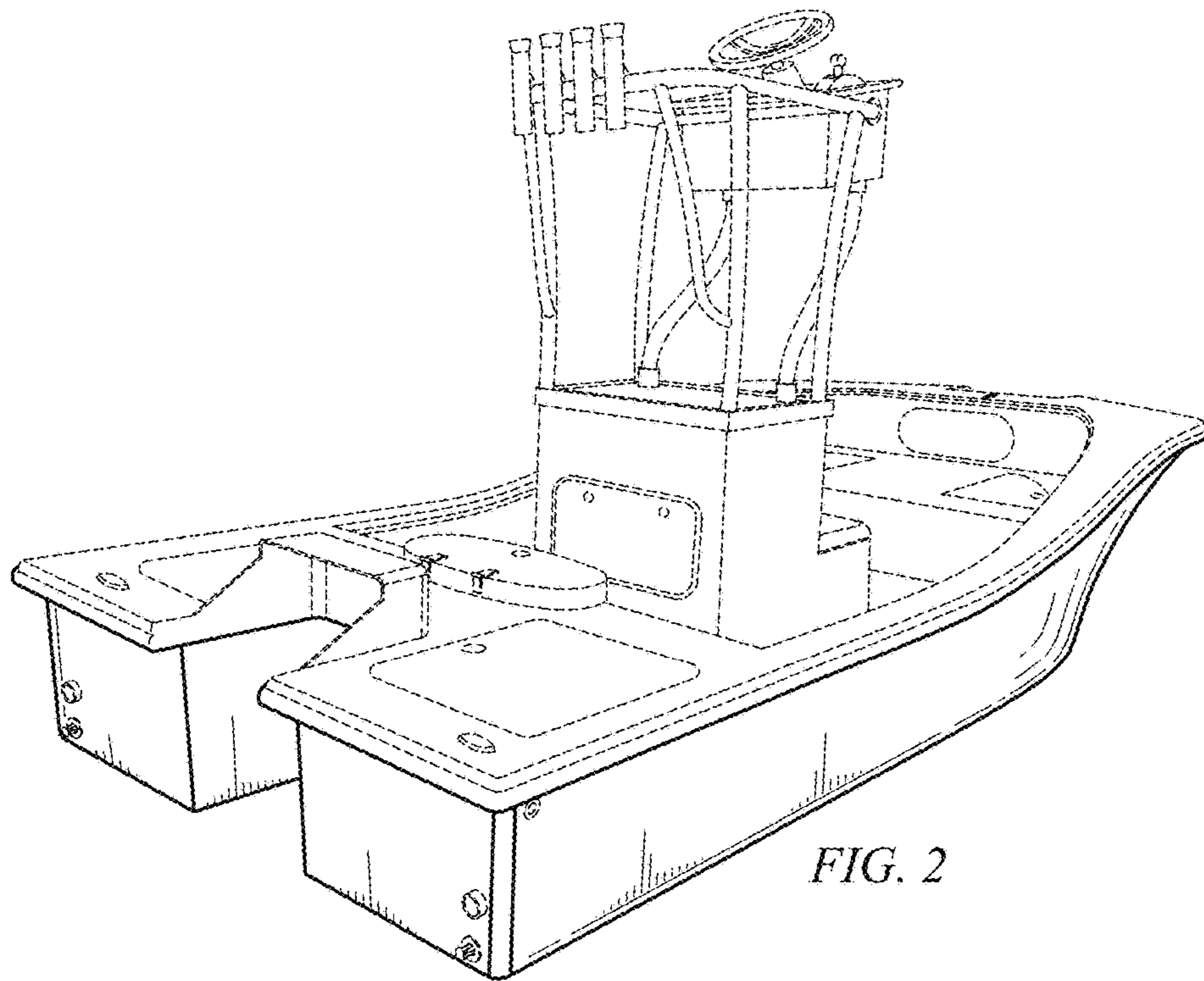


FIG. 2

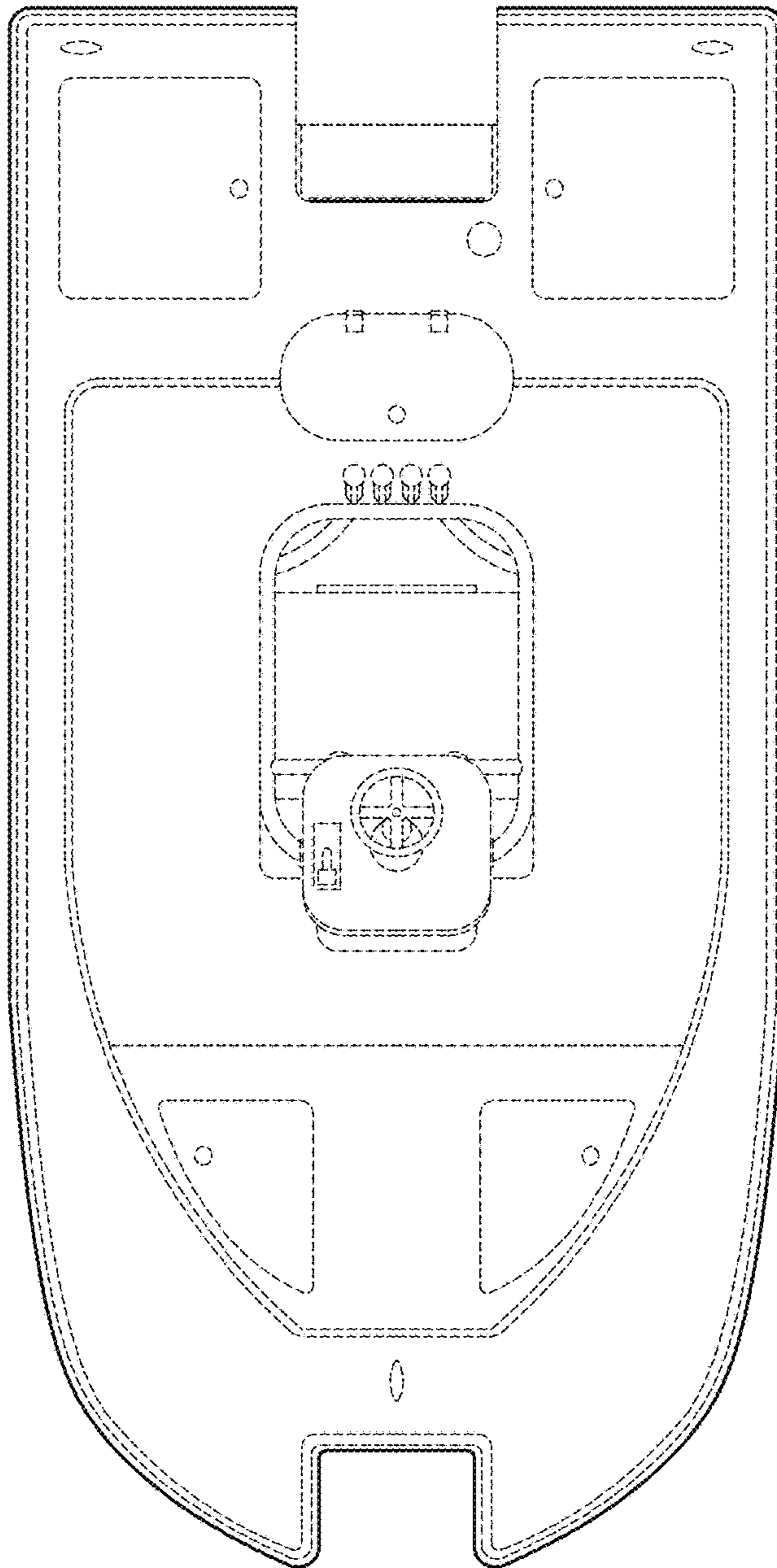


FIG. 3

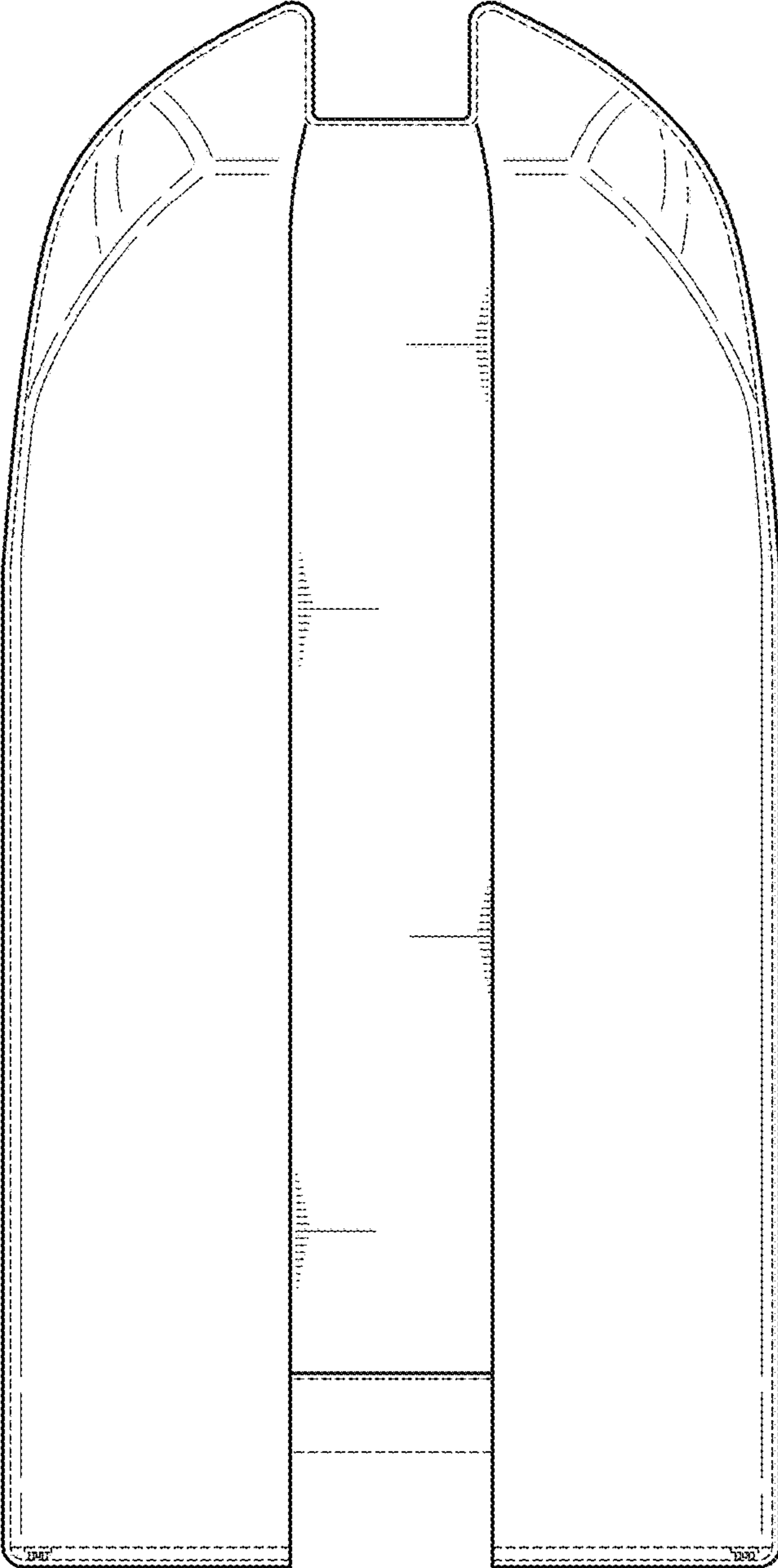


FIG. 4

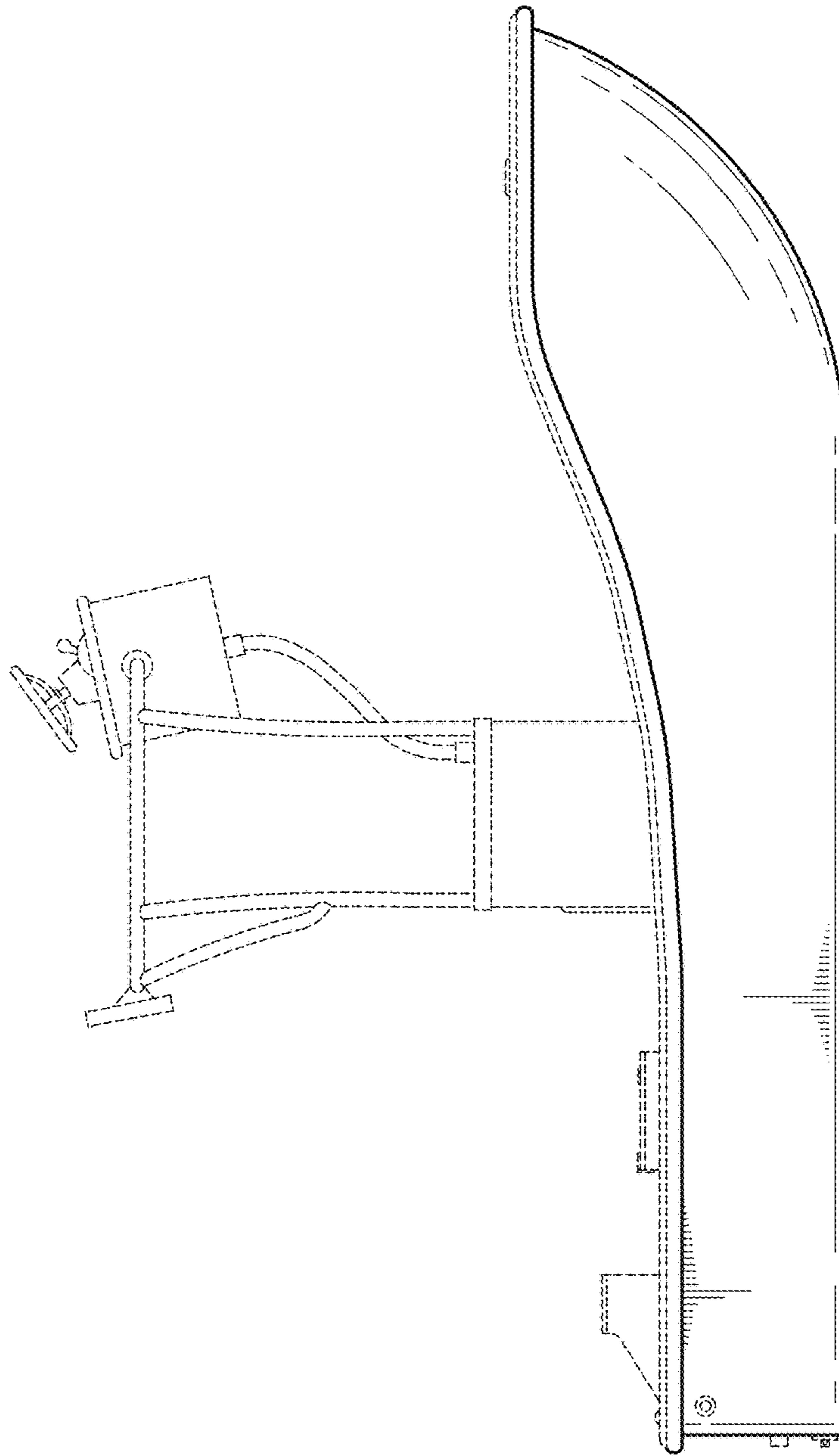


FIG. 5

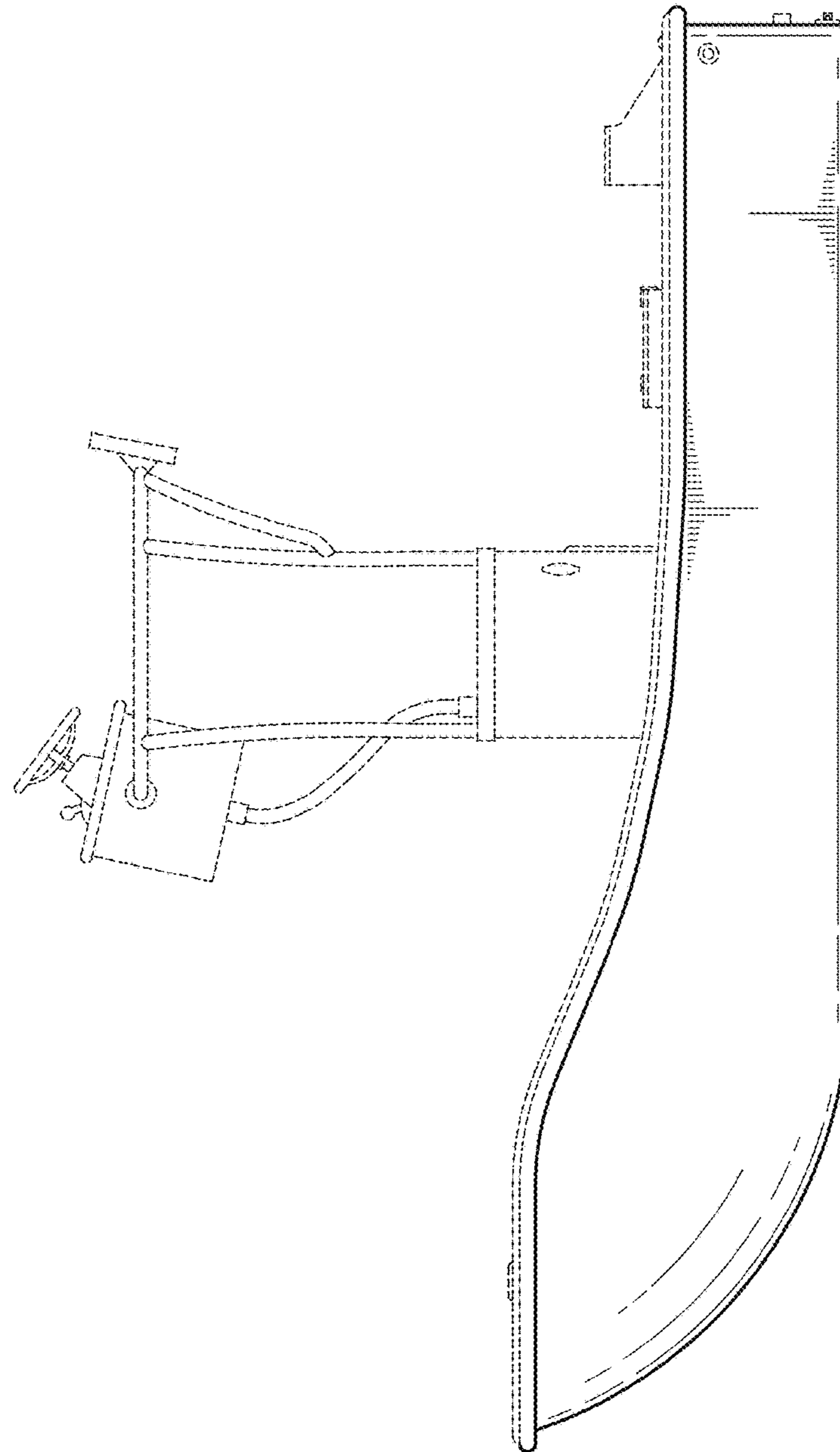


FIG. 6

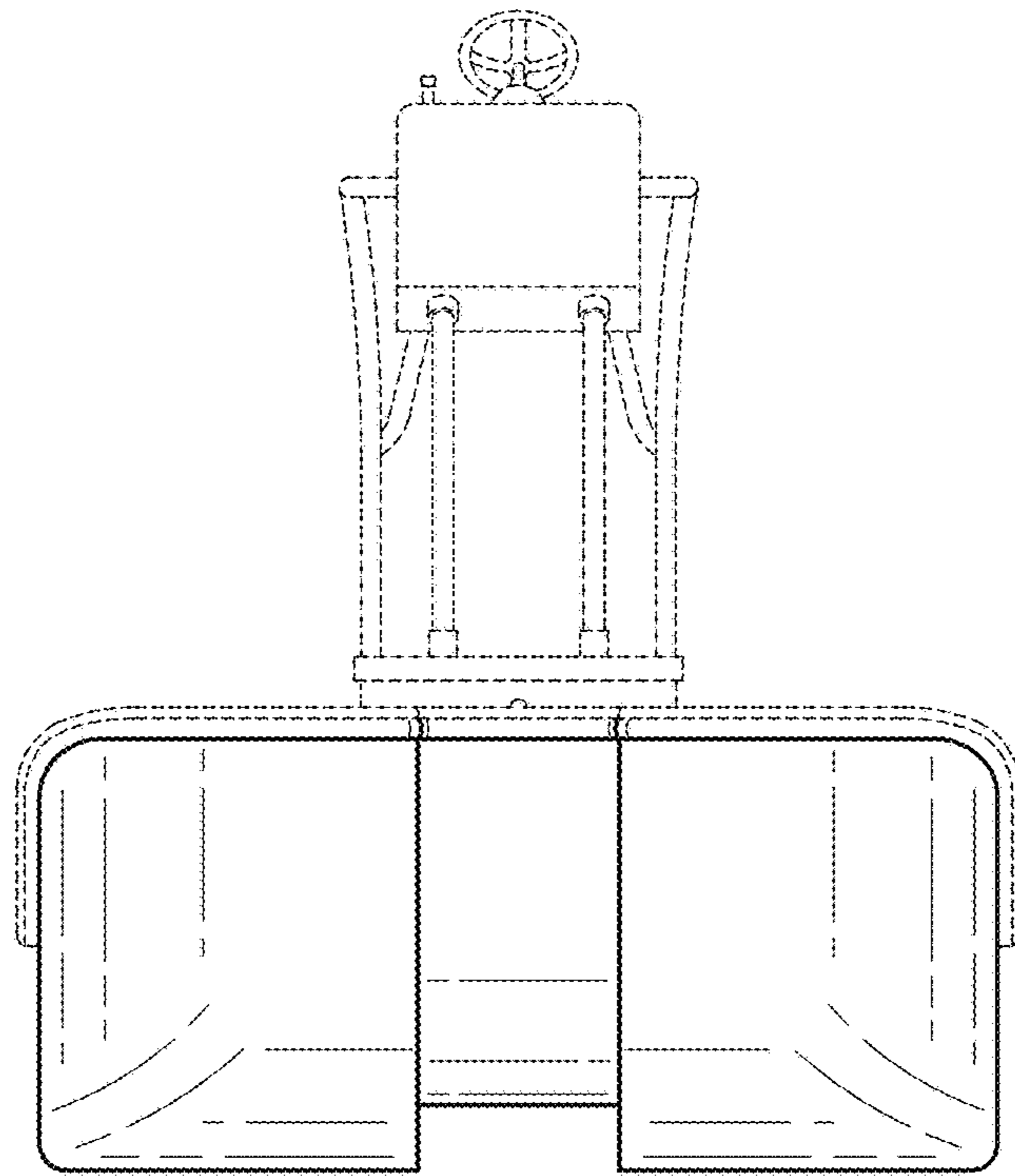


FIG. 7

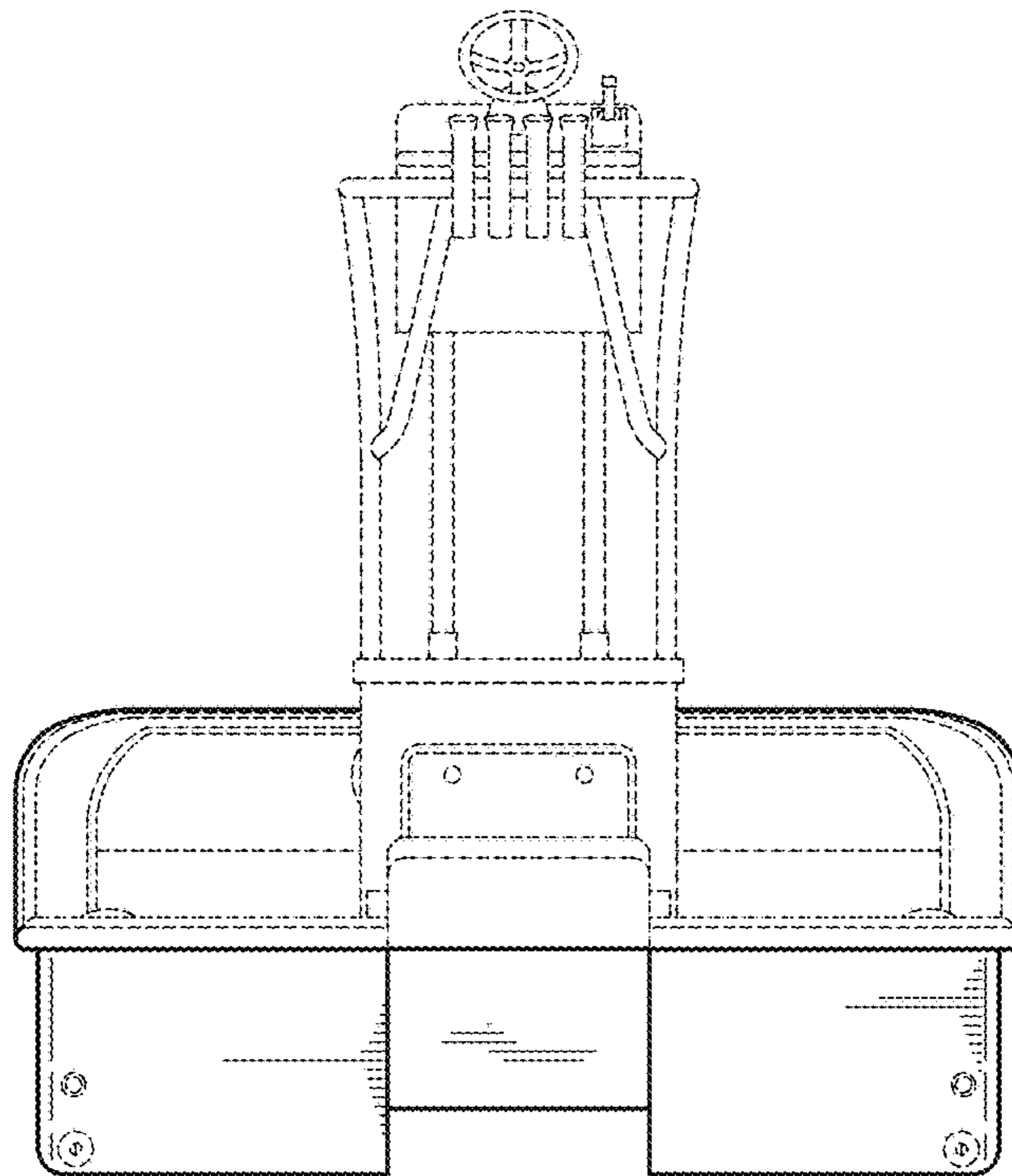


FIG. 8