



US00D852717S

(12) **United States Design Patent**  
**Champney**

(10) **Patent No.:** **US D852,717 S**  
(45) **Date of Patent:** **\*\* Jul. 2, 2019**

- (54) **CAR STORAGE COMPARTMENT LINER**
- (71) Applicant: **Kyle Champney**, W Chesterfield, NH (US)
- (72) Inventor: **Kyle Champney**, W Chesterfield, NH (US)
- (\*\*) Term: **15 Years**
- (21) Appl. No.: **29/685,718**
- (22) Filed: **Mar. 29, 2019**
- (51) **LOC (11) Cl.** ..... **12-16**
- (52) **U.S. Cl.**  
USPC ..... **D12/221**
- (58) **Field of Classification Search**  
USPC .... D12/221, 98; D9/431, 433, 44, 420, 422, D9/423, 424  
CPC ..... B60R 99/00; B60R 5/00; B60R 7/04  
See application file for complete search history.

- D520,524 S \* 5/2006 Sandler ..... D12/15
- D562,751 S 2/2008 Lu
- D644,979 S \* 9/2011 Wenrick ..... D12/221
- D673,490 S 1/2013 Koblenzer
- D701,817 S \* 4/2014 Takahashi ..... D12/221
- D735,110 S \* 7/2015 Wagner ..... D12/221
- D764,386 S 8/2016 Ahn et al.
- 2004/0164579 A1 8/2004 Sim, Jr.

\* cited by examiner

*Primary Examiner* — Katrina A Betton  
(74) *Attorney, Agent, or Firm* — James M. Smedley LLC; James Michael Smedley, Esq.

(57) **CLAIM**

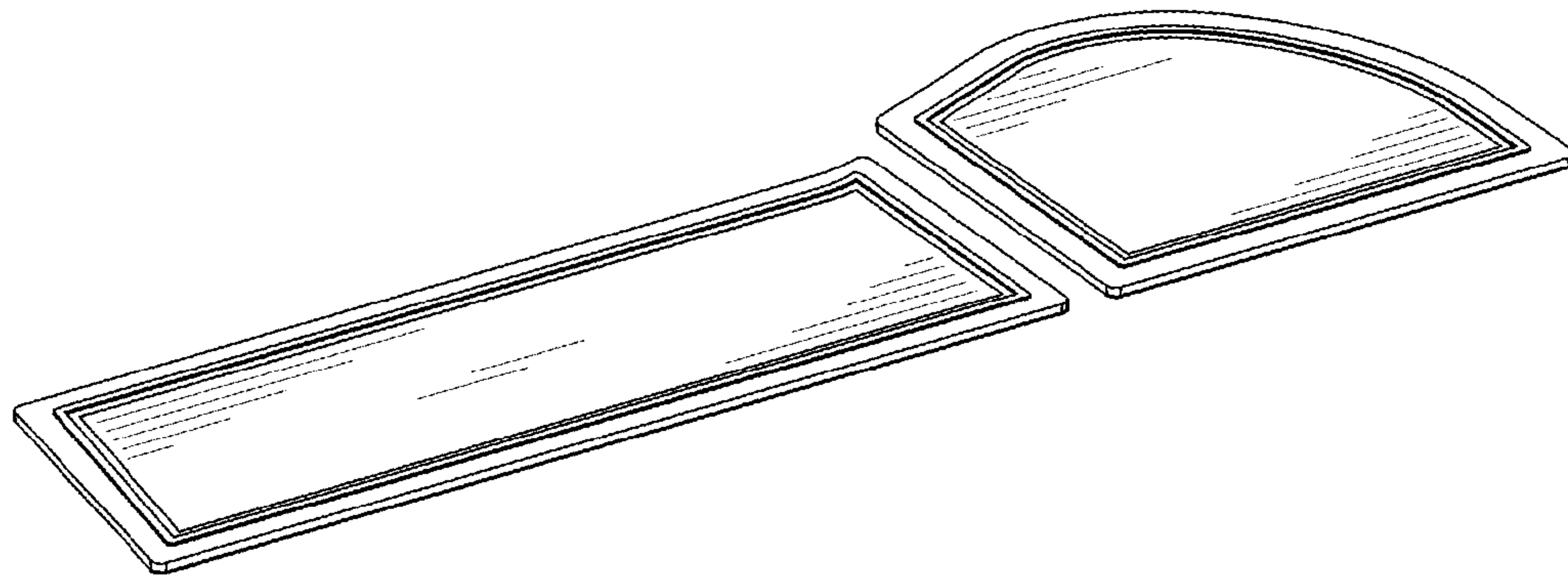
I claim the ornamental design for a car storage compartment liner, as shown and described.

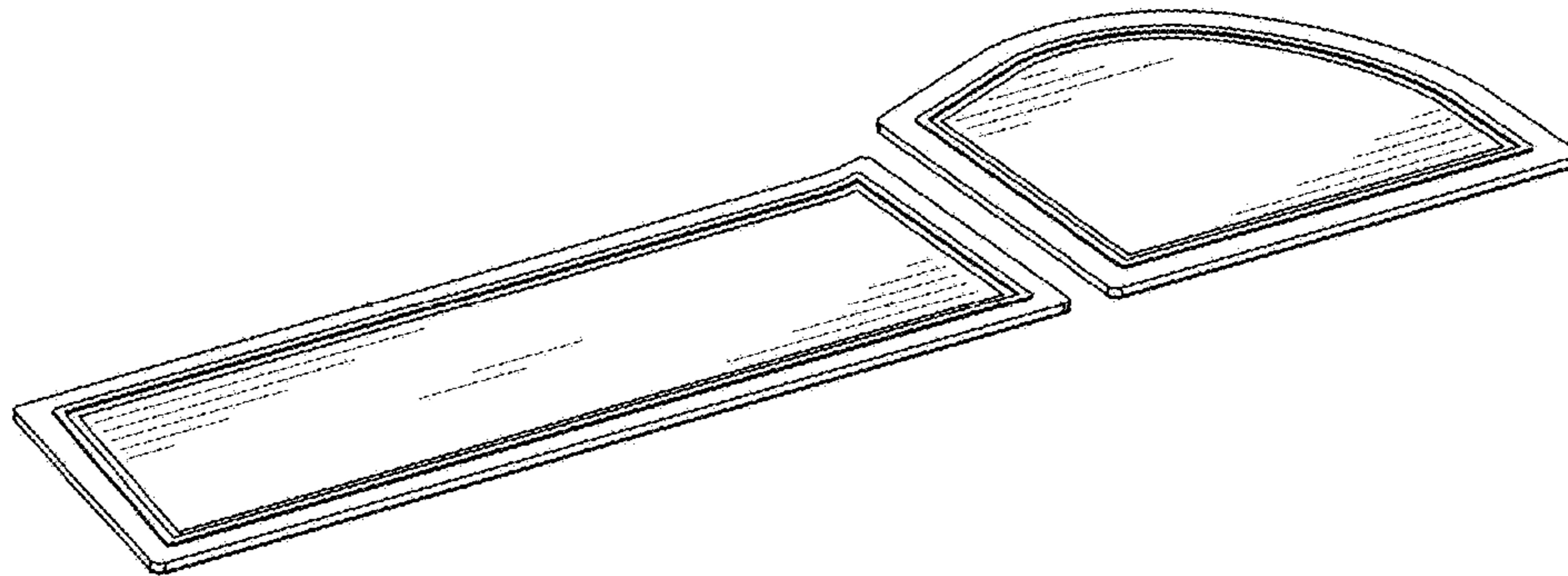
**DESCRIPTION**

FIG. 1 is a perspective view showing my new design for a car storage compartment liner.  
FIG. 2 is a top view thereof.  
FIG. 3 is a bottom view thereof.  
FIG. 4 is a right side view thereof.  
FIG. 5 is a left side view thereof.  
FIG. 6 is a front view thereof.  
FIG. 7 is a rear view thereof; and,  
FIG. 8 is a second perspective view thereof, shown in environmental use.  
The broken lines represent unclaimed subject matter and form no part of the claimed design.

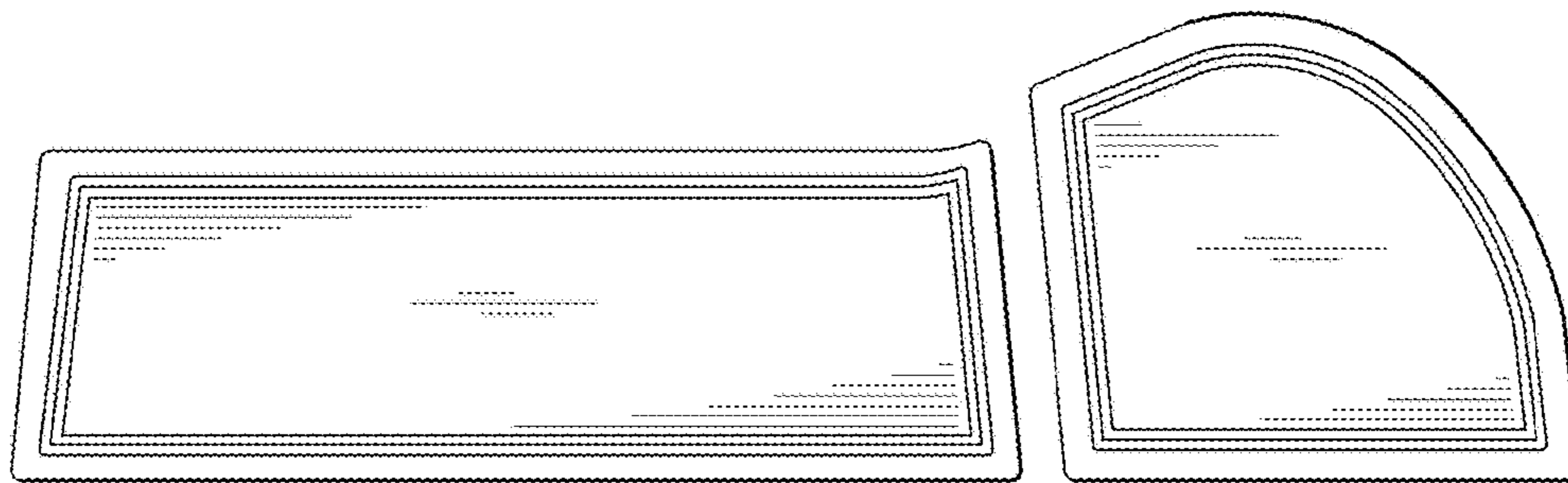
**1 Claim, 2 Drawing Sheets**

- (56) **References Cited**  
U.S. PATENT DOCUMENTS
- D298,817 S 12/1988 Hamilton
- D308,036 S \* 5/1990 Queen ..... D12/221
- 5,167,433 A 12/1992 Ryan
- D341,252 S \* 11/1993 Ryan ..... D12/221
- D344,481 S \* 2/1994 Ryan ..... D12/221
- D345,050 S \* 3/1994 Ryan ..... D12/221
- D377,472 S \* 1/1997 Perry ..... D12/221
- D390,185 S \* 2/1998 Smith ..... D12/221
- D458,575 S \* 6/2002 Corr ..... D12/221

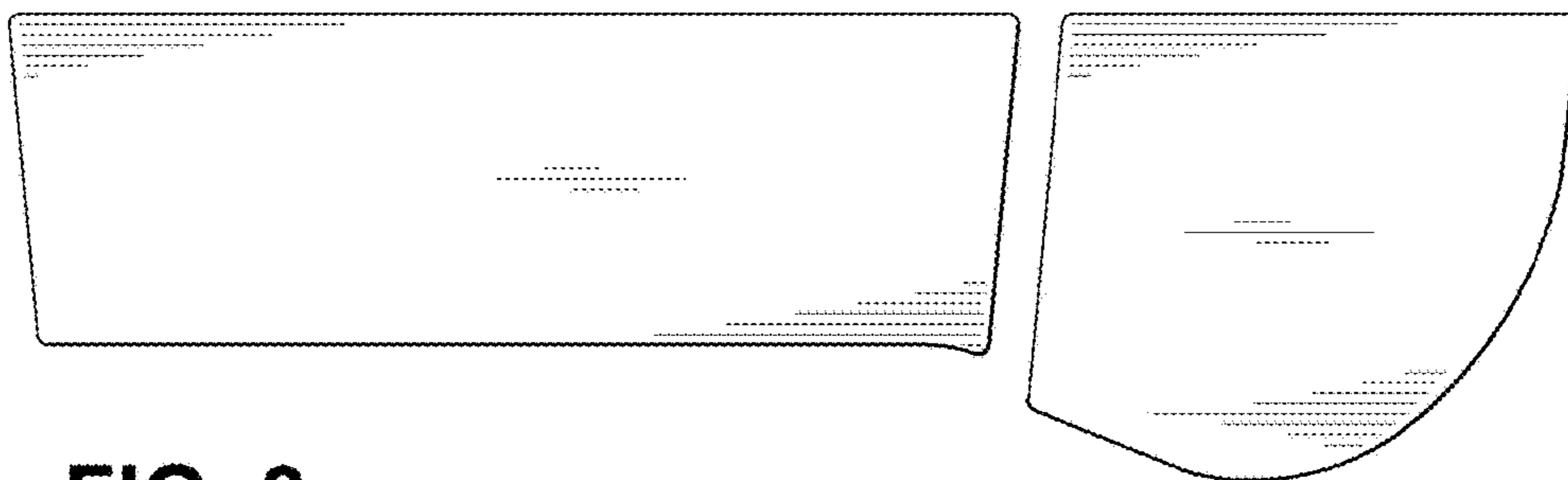




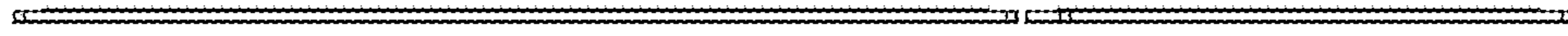
**FIG. 1**



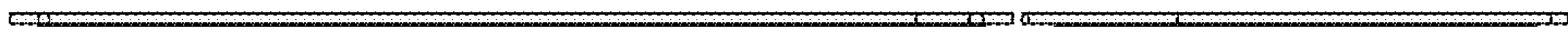
**FIG. 2**



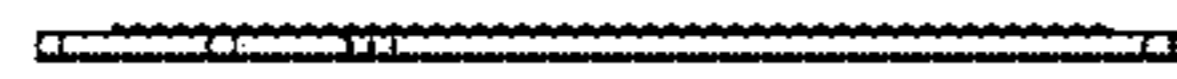
**FIG. 3**



**FIG. 4**



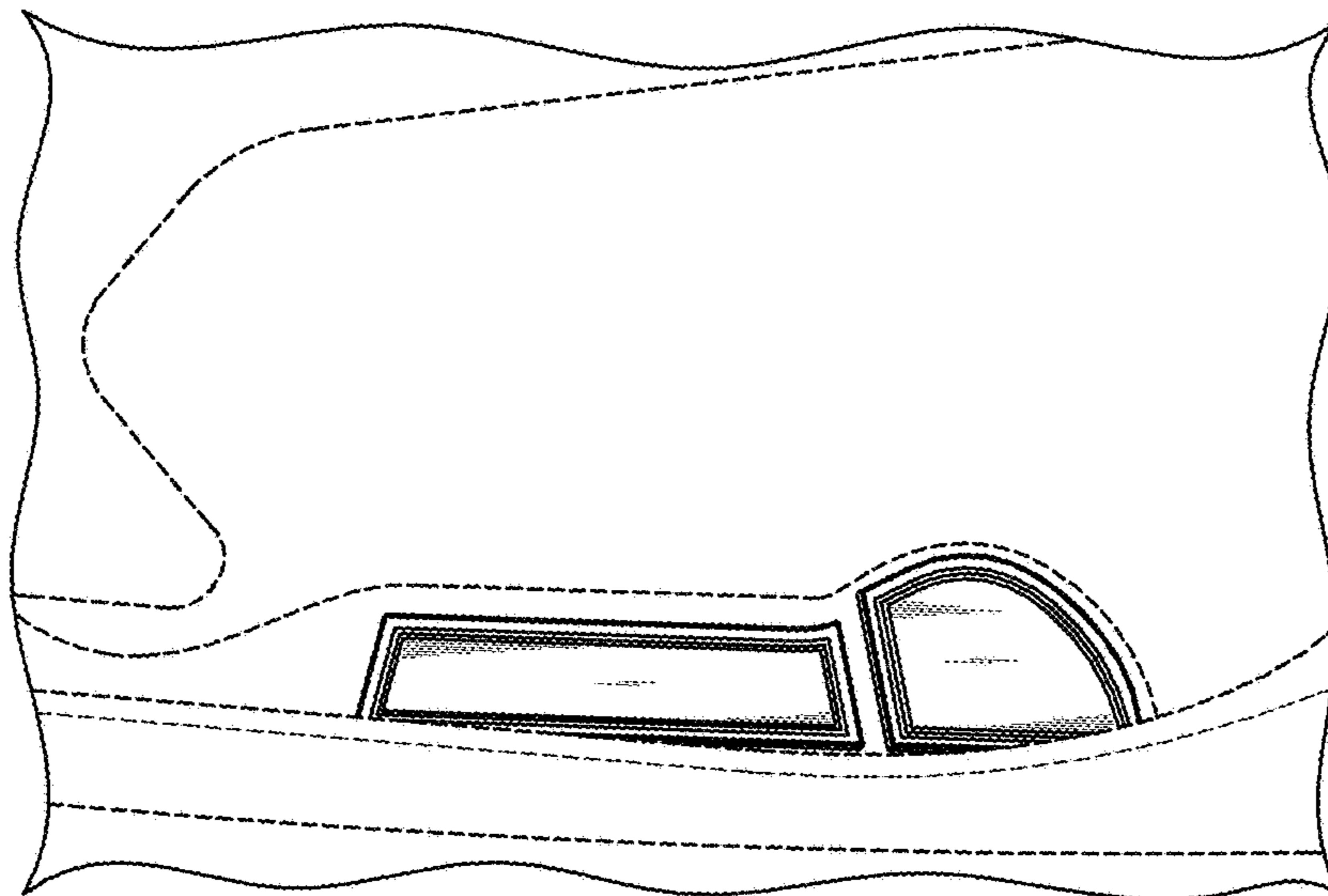
**FIG. 5**



**FIG. 6**



**FIG. 7**



**FIG. 8**