



US00D852714S

(12) **United States Design Patent**
Hale, Jr.

(10) **Patent No.:** **US D852,714 S**
(45) **Date of Patent:** **** Jul. 2, 2019**

(54) **FRONT OUTWARD FLANGE OF A VEHICLE WHEEL**

(71) Applicant: **MOBILE HI-TECH WHEELS,**
Rancho Dominguez, CA (US)

(72) Inventor: **Arthur D. Hale, Jr.,** Long Beach, CA
(US)

(73) Assignee: **MOBILE HI-TECH WHEELS,**
Rancho Dominguez, CA (US)

(**) Term: **15 Years**

(21) Appl. No.: **29/560,081**

(22) Filed: **Apr. 1, 2016**

(51) **LOC (11) Cl.** **12-16**

(52) **U.S. Cl.**
USPC **D12/213**

(58) **Field of Classification Search**
USPC D12/204-213; D21/533, 561, 563
CPC B60B 7/00; B60B 7/02; B60B 7/04; B60B 7/06;
B60B 3/02; B60B 3/04; B60B 3/06;
B60B 3/10; B60B 1/00; B60B 1/08;
B60B 1/10; B60B 1/12
See application file for complete search history.

(56) **References Cited**

U.S. PATENT DOCUMENTS

1,423,754 A *	7/1922	Clark	F16L 55/178
				285/337
5,292,182 A *	3/1994	Kanazawa	B60B 3/06
				301/65
D514,496 S *	2/2006	Neeper	D12/211
D539,205 S *	3/2007	Hosoi	D12/211

D548,164 S *	8/2007	Young	D12/211
D551,148 S *	9/2007	Musser	D12/211
D567,739 S *	4/2008	Kim	D12/211
D569,778 S *	5/2008	Kim	D12/211
D576,537 S *	9/2008	Chung	D12/211
D582,830 S *	12/2008	Musser	D12/211
D593,475 S *	6/2009	Chung	D12/210
D624,477 S *	9/2010	McMath	D12/210
D715,721 S *	10/2014	Chung	D12/211
D715,722 S *	10/2014	Johnson	D12/211
D719,889 S *	12/2014	Hodges	D12/209
D742,293 S *	11/2015	Chung	D12/211
D746,754 S *	1/2016	Johnson	D12/209
D747,253 S *	1/2016	Chung	D12/211
D782,955 S *	4/2017	Zhao	D12/211
D783,495 S *	4/2017	Hale, Jr.	D12/209
D791,057 S *	7/2017	Johnson	D12/211
D805,987 S *	12/2017	Major	D12/204

* cited by examiner

Primary Examiner — Sheryl Lane

Assistant Examiner — Calvin E Vansant

(74) *Attorney, Agent, or Firm* — Lewis Roca Rothgerber
Christie LLP

(57) **CLAIM**

The ornamental design for front outward flange of a vehicle wheel, as shown and described.

DESCRIPTION

FIG. 1 is a perspective view of a front outward flange of a vehicle wheel according to my new design; FIG. 2 is a elevational view thereof; and, FIG. 3 is a side elevational view thereof. The broken lines depict portions of the front outward flange of a vehicle wheel that form no part of the claim.

1 Claim, 3 Drawing Sheets

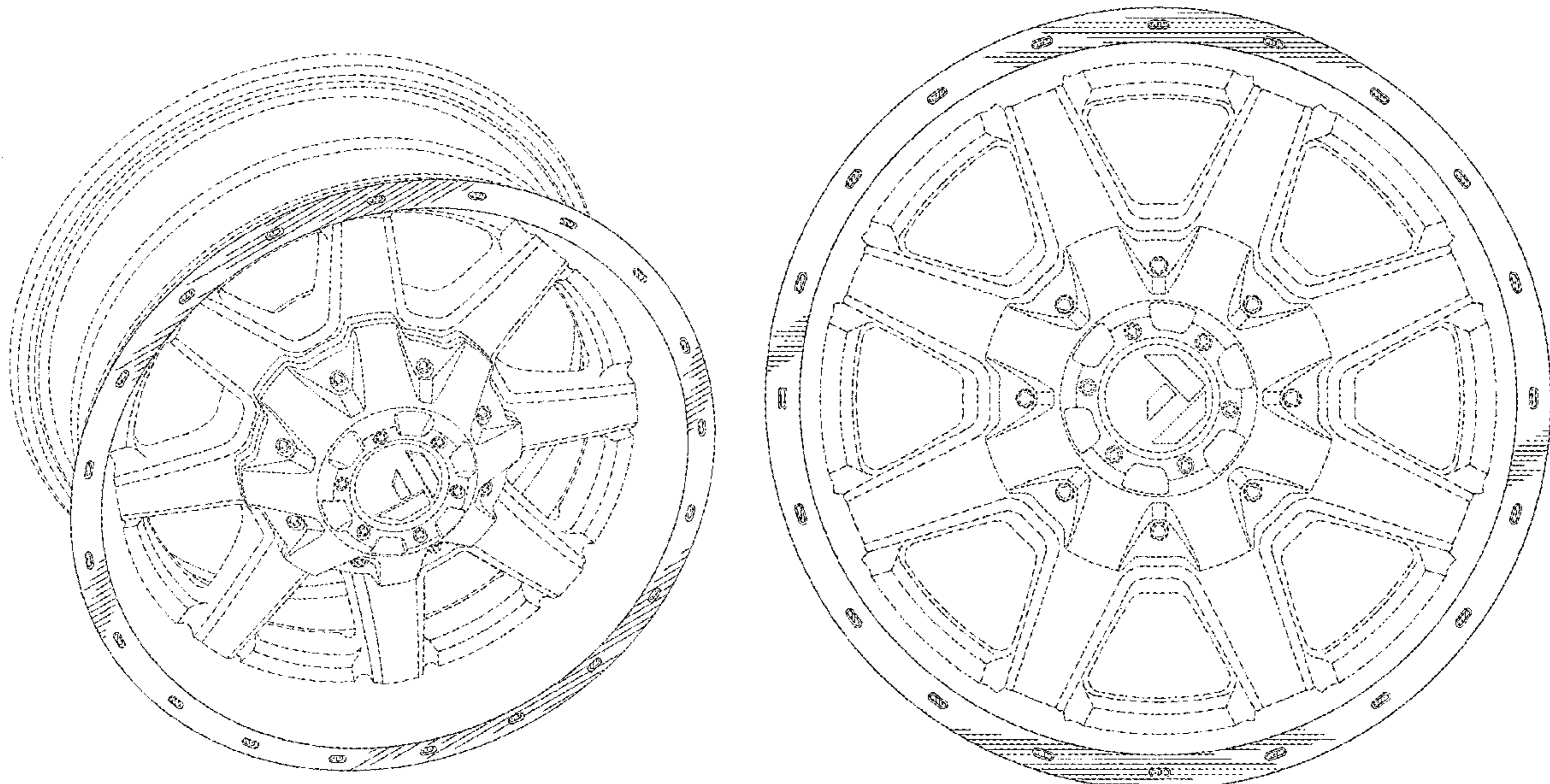


FIG. 1

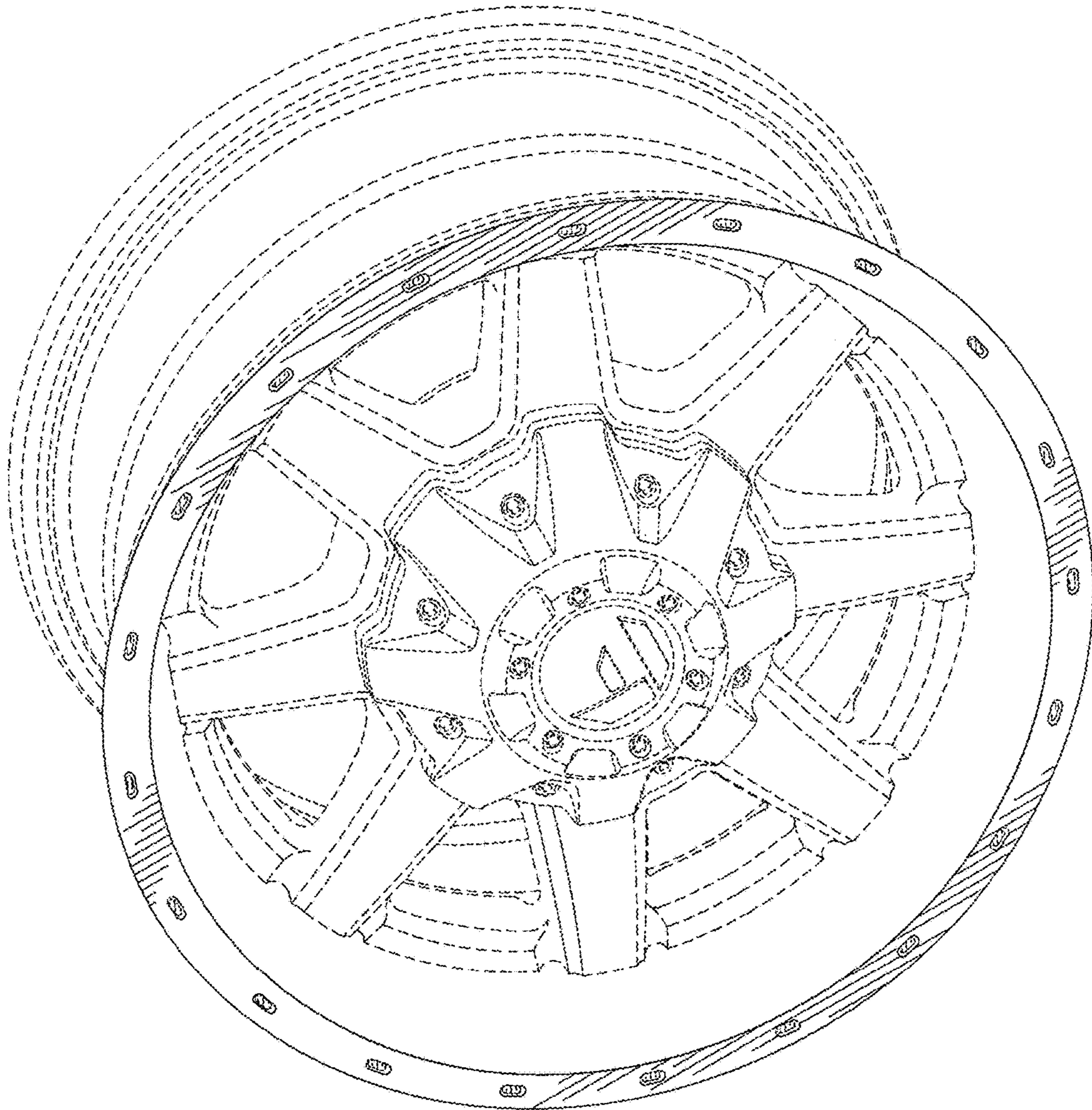


FIG. 2

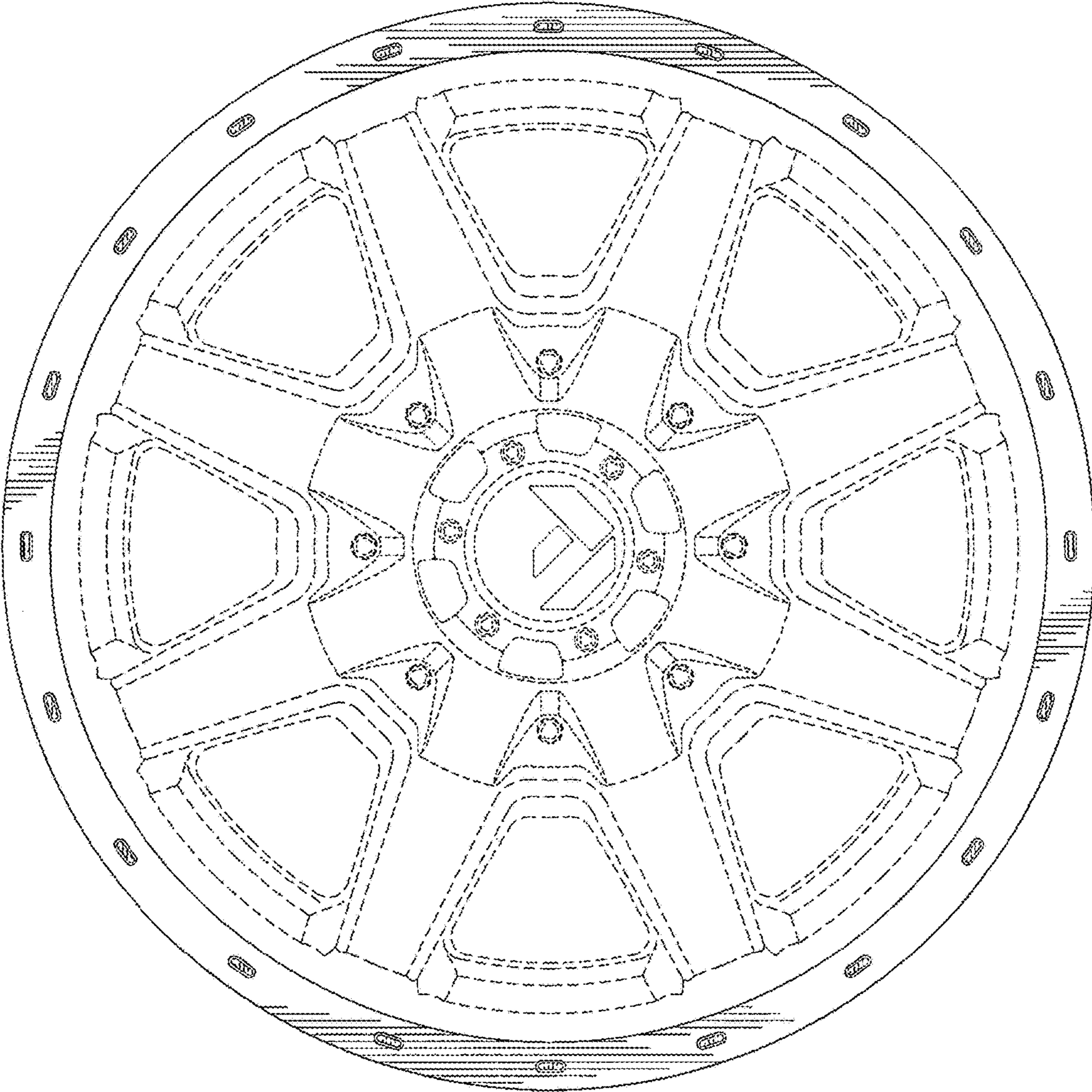


FIG. 3

