



US00D852711S

(12) **United States Design Patent**  
**Hurynovich**

(10) **Patent No.:** **US D852,711 S**  
(45) **Date of Patent:** **\*\* Jul. 2, 2019**

(54) **VEHICLE WHEEL, TOY VEHICLE WHEEL,  
AND/OR REPLICAS THEREOF**

(71) Applicant: **Bayerische Motoren Werke  
Aktiengesellschaft, Munich (DE)**

(72) Inventor: **Vasil Hurynovich, Ingolstadt (DE)**

(73) Assignee: **Bayerische Motoren Werke  
Aktiengesellschaft, Munich (DE)**

(\*\*) Term: **15 Years**

(21) Appl. No.: **29/635,612**

(22) Filed: **Feb. 1, 2018**

(30) **Foreign Application Priority Data**

Aug. 10, 2017 (DE) ..... 40 2017 100 899

(51) **LOC (11) Cl.** ..... **12-16**

(52) **U.S. Cl.**  
USPC ..... **D12/211**

(58) **Field of Classification Search**  
USPC ..... D12/204–213; D21/533, 561, 563  
CPC .... B60B 7/00; B60B 7/02; B60B 7/04; B60B  
7/06; B60B 3/02; B60B 3/04; B60B 3/06;  
B60B 3/10; B60B 1/00; B60B 1/08;  
B60B 1/10; B60B 1/12

See application file for complete search history.

(56) **References Cited**

**U.S. PATENT DOCUMENTS**

D327,049 S 6/1992 Boyer  
D451,067 S 11/2001 Frizzi  
D596,551 S \* 7/2009 Futschik ..... D12/211  
D597,015 S \* 7/2009 Juergens ..... D12/211  
D628,136 S \* 11/2010 Leclercq ..... D12/211  
D660,766 S \* 5/2012 Gotschke ..... D12/209

D667,768 S 9/2012 Elmitt  
D668,197 S \* 10/2012 Gotschke ..... D12/211  
D671,481 S 11/2012 Amezqueta  
D729,139 S \* 5/2015 Mielke ..... D12/211  
D763,165 S \* 8/2016 Hans ..... D12/211  
D777,075 S \* 1/2017 Rueckheim ..... D12/211  
D788,011 S \* 5/2017 Mielke ..... D12/211  
D788,675 S 6/2017 Kippes  
D788,681 S \* 6/2017 Juergens ..... D12/211  
D792,311 S \* 7/2017 Gallert ..... D12/211  
D794,530 S \* 8/2017 Langhals ..... D12/211  
D794,531 S \* 8/2017 Zhao ..... D12/211  
D801,904 S \* 11/2017 Groth ..... D12/211

(Continued)

**FOREIGN PATENT DOCUMENTS**

EM 000010442-0002 7/2003  
EM 001846346-0004 8/2012  
EM 002015602-0001 8/2013

(Continued)

*Primary Examiner* — Sheryl Lane

*Assistant Examiner* — Calvin E Vansant

(74) *Attorney, Agent, or Firm* — Crowell & Moring LLP

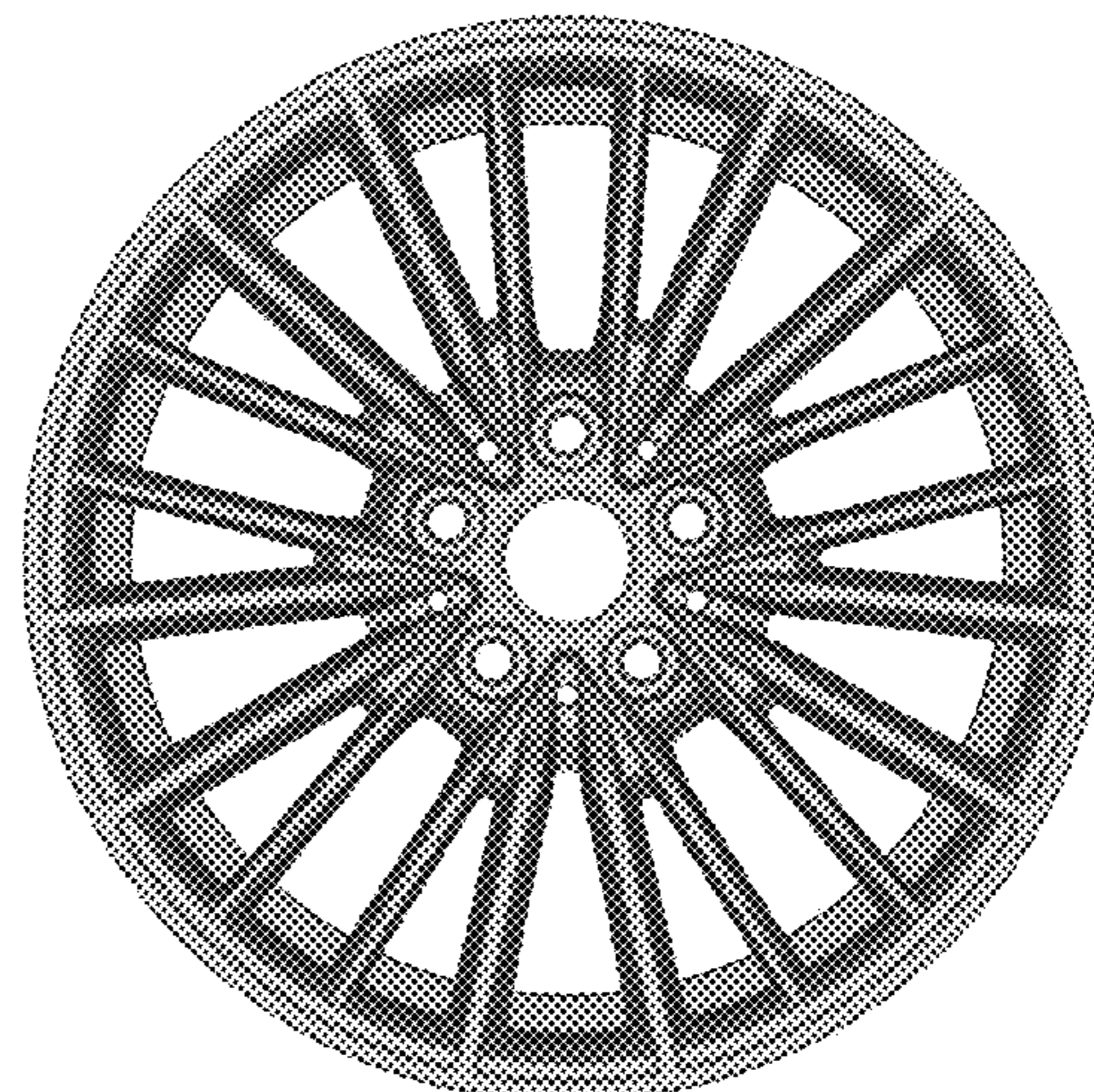
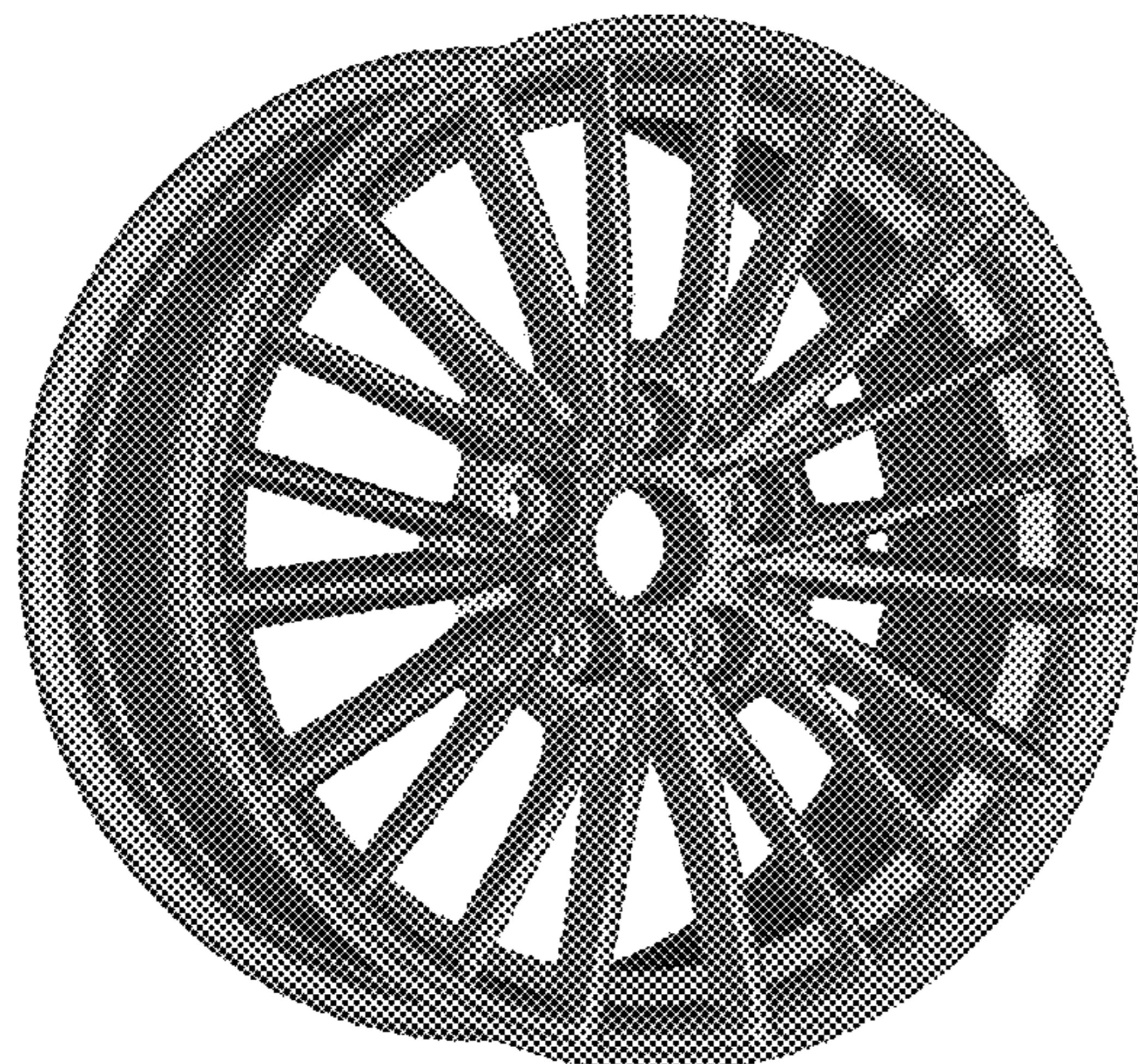
(57) **CLAIM**

The ornamental design for a vehicle wheel, toy vehicle wheel, and/or replicas thereof, as shown and described.

**DESCRIPTION**

FIG. 1 is a perspective view of a vehicle wheel, toy vehicle wheel, and/or replicas thereof according to the design; FIG. 2 is an additional perspective view thereof; FIG. 3 is an additional perspective view thereof; FIG. 4 is a front view thereof; FIG. 5 is a rear view thereof; and, FIG. 6 is a side view thereof. FIG. 5 is shown in low-contrast rendering to depict environmental subject matter and forms no part of the claim.

**1 Claim, 6 Drawing Sheets**



(56)

**References Cited**

U.S. PATENT DOCUMENTS

D801,906 S \* 11/2017 Burki ..... D12/211  
D819,538 S \* 6/2018 Badstuebner ..... D12/211

FOREIGN PATENT DOCUMENTS

WO WO DM/015850 4/1990  
WO WO DM/053038 11/2000

\* cited by examiner



Fig. 1



Fig. 2



Fig. 3



Fig. 4

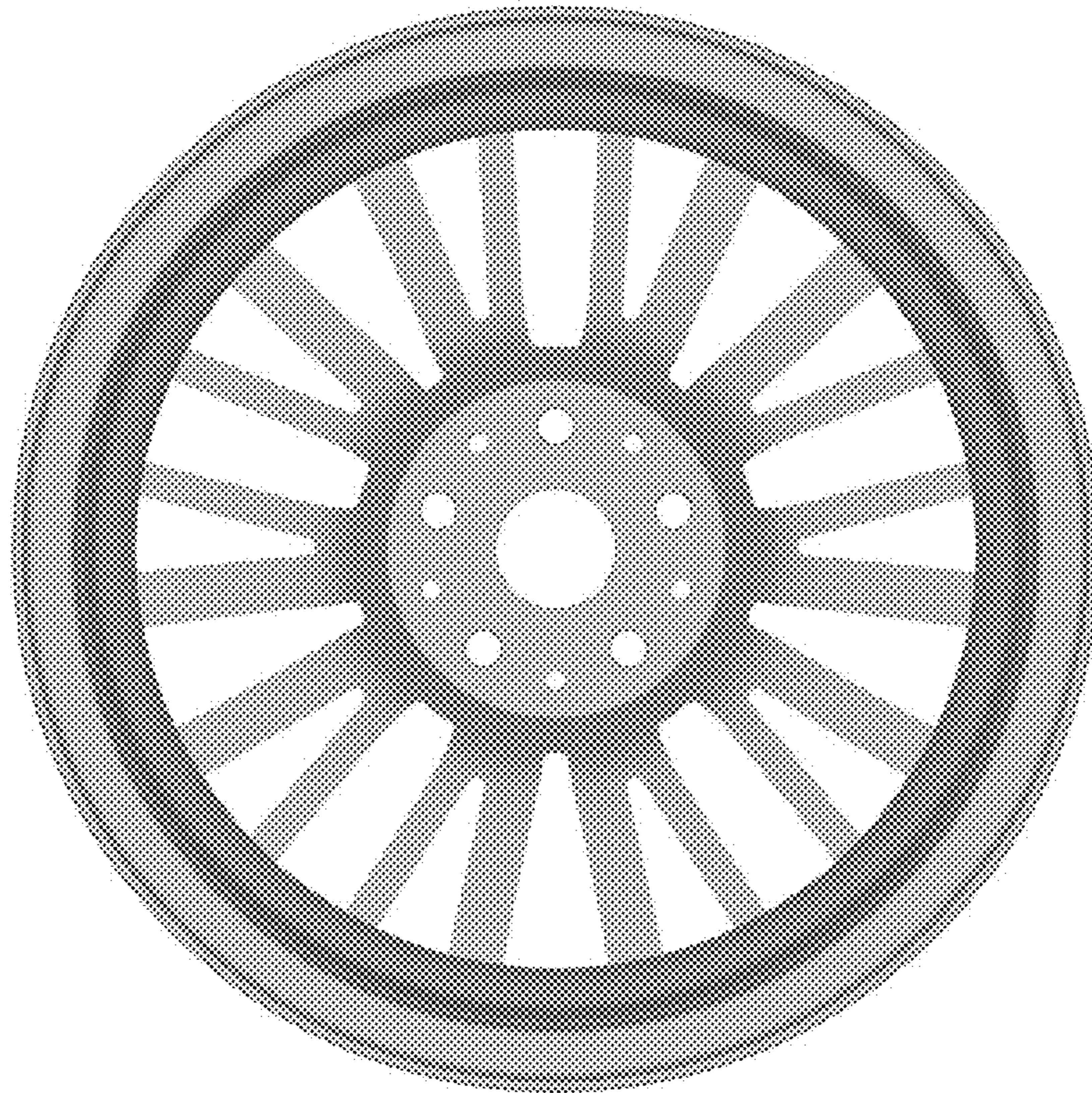


Fig. 5

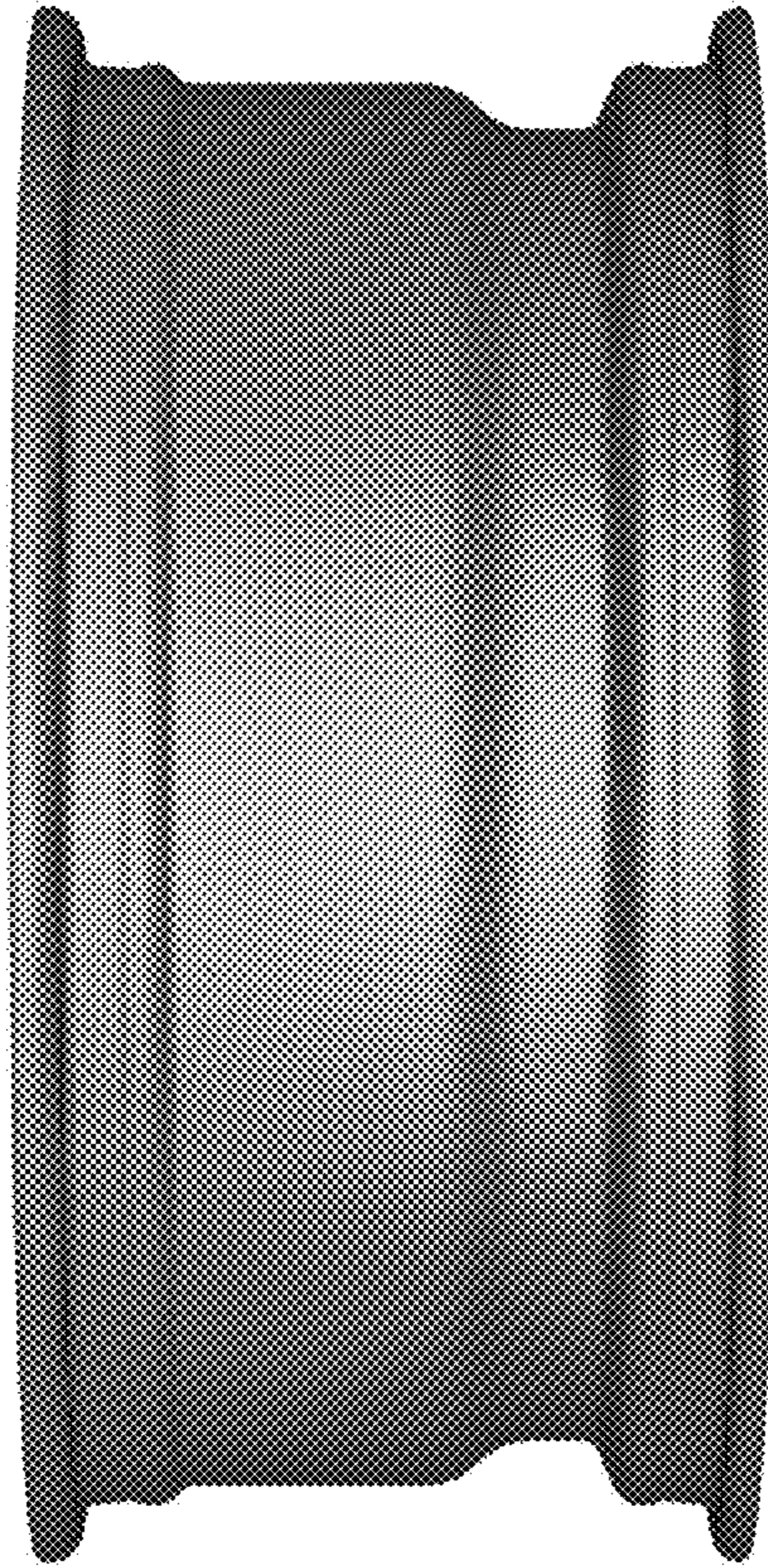


Fig. 6