



US00D852708S

(12) **United States Design Patent**
Lucas et al.

(10) **Patent No.:** **US D852,708 S**

(45) **Date of Patent:** **** Jul. 2, 2019**

(54) **VEHICLE WHEEL**

(71) Applicant: **Ford Global Technologies, LLC**,
Dearborn, MI (US)

(72) Inventors: **Earl C. Lucas**, Southfield, MI (US);
Keith Rogman, Fenton, MI (US);
David Woodhouse, Troy, MI (US);
Solomon Song, Farmington Hills, MI
(US); **Viet Nguyen**, Madison Heights,
MI (US)

(73) Assignee: **Ford Global Technologies, LLC**,
Dearborn, MI (US)

(**) Term: **15 Years**

(21) Appl. No.: **29/624,509**

(22) Filed: **Nov. 1, 2017**

(51) **LOC (11) Cl.** **12-16**

(52) **U.S. Cl.**
USPC **D12/211**

(58) **Field of Classification Search**
USPC D12/204–213; D21/533, 561, 563
CPC B60B 7/00; B60B 7/02; B60B 7/04; B60B
7/06; B60B 3/02; B60B 3/04; B60B 3/06;
B60B 3/10; B60B 1/00; B60B 1/08;
B60B 1/10; B60B 1/12

See application file for complete search history.

(56) **References Cited**

U.S. PATENT DOCUMENTS

D499,685 S * 12/2004 Schaefers D12/211
D590,313 S * 4/2009 Baum D12/209

D595,202 S * 6/2009 Spoerle D12/211
D597,464 S * 8/2009 Truebsbach D12/211
D608,710 S * 1/2010 Nissl D12/209
D634,689 S * 3/2011 Futschik D12/211
D663,669 S * 7/2012 Baum D12/209
D673,103 S * 12/2012 Song D12/211
D675,969 S * 2/2013 Mueller-Stolz D12/209
D696,176 S * 12/2013 Rojas D12/209
D727,824 S * 4/2015 Garbas D12/209
D727,828 S * 4/2015 Amezketa D12/211
D730,798 S * 6/2015 Diephuis D12/209
D741,773 S * 10/2015 Juergens D12/211
D778,802 S * 2/2017 Wolff D12/211
D803,128 S * 11/2017 Svensson D12/209
D838,223 S * 1/2019 Chung D12/209

* cited by examiner

Primary Examiner — Sheryl Lane

Assistant Examiner — Calvin E Vasant

(74) *Attorney, Agent, or Firm* — Vichit Chea

(57) **CLAIM**

The ornamental design for a vehicle wheel, as shown and described.

DESCRIPTION

FIG. 1 is a top perspective view of a vehicle wheel showing our new design; and,
FIG. 2 is a front elevational view thereof.

1 Claim, 2 Drawing Sheets

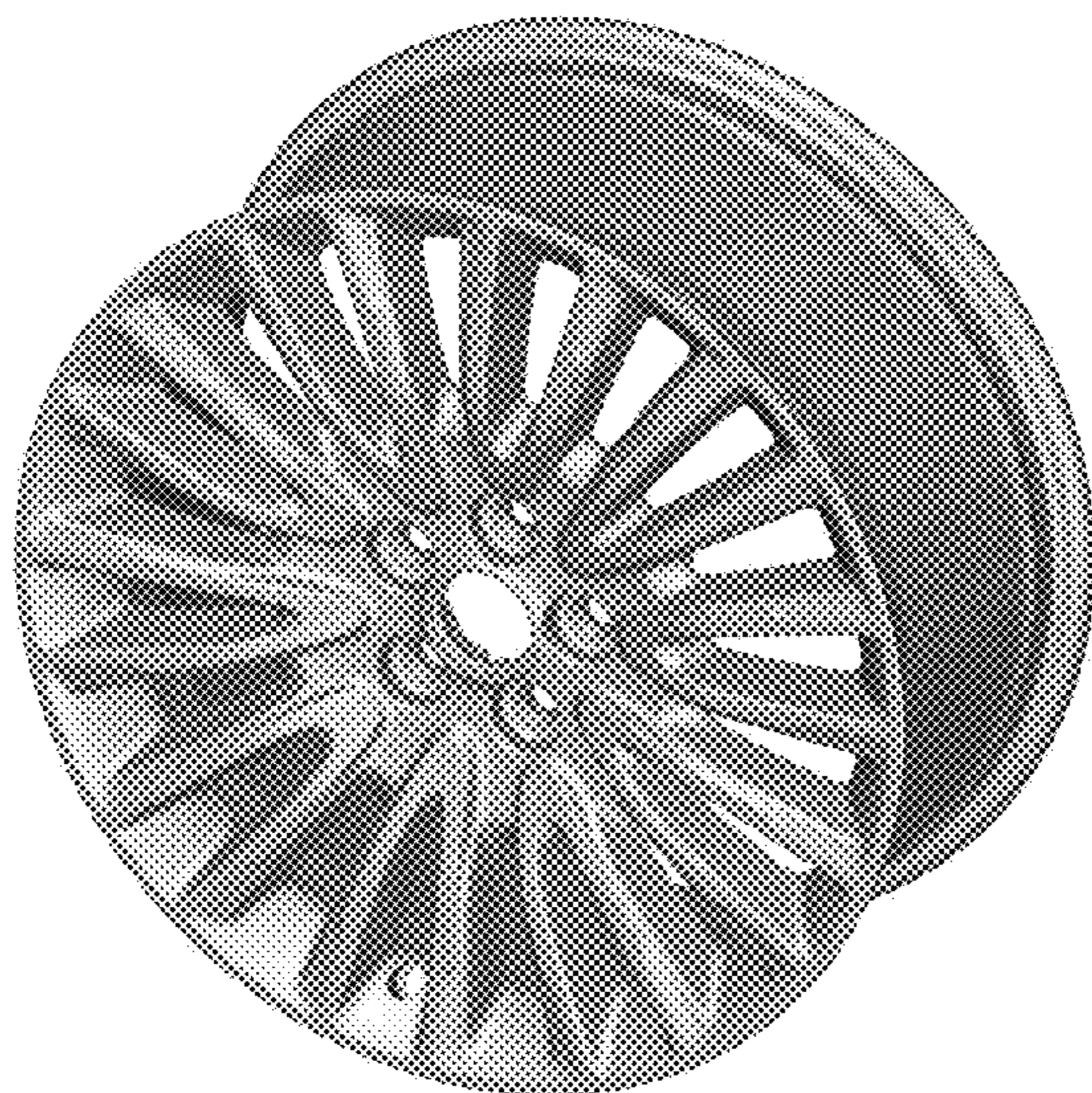




Figure 1



Figure 2