



US00D852706S

(12) **United States Design Patent**
Tran

(10) **Patent No.:** **US D852,706 S**

(45) **Date of Patent:** **** Jul. 2, 2019**

(54) **WHEEL**

(71) Applicant: **Wheel Pros, LLC**, Greenwood Village,
CO (US)

(72) Inventor: **Peter Tran**, Lake Hughes, CA (US)

(**) Term: **15 Years**

(21) Appl. No.: **29/584,666**

(22) Filed: **Nov. 16, 2016**

(51) **LOC (11) Cl.** **12-16**

(52) **U.S. Cl.**
USPC **D12/211**

(58) **Field of Classification Search**
USPC D12/204–213
CPC B60B 7/00; B60B 7/02; B60B 7/04; B60B
7/01; B60B 3/02; B60B 3/04; B60B 3/06;
B60B 3/08; B60B 3/10; B60B 1/00;
B60B 1/08; B60B 1/10; B60B 1/12
See application file for complete search history.

(56) **References Cited**

U.S. PATENT DOCUMENTS

D337,563 S *	7/1993	Boselli	D12/209
D396,208 S *	7/1998	Baumgartner	D12/211
D418,473 S *	1/2000	Chung	D12/211
D438,504 S *	3/2001	Muzzarelli	D12/211
D450,030 S *	11/2001	Pfeiffer	D12/211
D481,984 S *	11/2003	Sulahian	D12/211
D488,763 S *	4/2004	Takechi	D12/211
D493,133 S *	7/2004	Bernoni	D12/211
D573,082 S *	7/2008	Young	D12/211
D638,767 S *	5/2011	Groom	D12/211
D652,364 S *	1/2012	Zhao	D12/211
D653,599 S *	2/2012	Zhao	D12/211
D660,220 S *	5/2012	Chan	D12/211
D671,062 S *	11/2012	Dilber	D12/211
D680,048 S *	4/2013	Zhao	D12/211

D684,518 S *	6/2013	Zhao	D12/211
D721,317 S *	1/2015	Kern	D12/211
D723,994 S *	3/2015	Chung	D12/211
D727,825 S *	4/2015	Chung	D12/211
D741,241 S *	10/2015	Hale, Jr.	D12/211
D741,775 S *	10/2015	Zhao	D12/211
D742,295 S *	11/2015	Zhao	D12/211
D751,017 S *	3/2016	Chung	D12/209
D751,966 S *	3/2016	Zhao	D12/211
D758,945 S *	6/2016	Zhao	D12/211
D758,947 S *	6/2016	Zhao	D12/211
D765,574 S *	9/2016	Hale, Jr.	D12/211
D775,051 S *	12/2016	Alfonso	D12/211
D776,040 S *	1/2017	Zhao	D12/211
D776,597 S *	1/2017	Zhao	D12/211
D786,768 S *	5/2017	Youssef	D12/211
D802,509 S *	11/2017	Tran	D12/209
D803,129 S *	11/2017	McMath	D12/209
D803,753 S *	11/2017	Zhao	D12/211
D806,630 S *	1/2018	McMath	D12/211
D808,325 S *	1/2018	Chung	D12/211
D821,285 S *	6/2018	Zhao	D12/211
D824,834 S *	8/2018	Licklitter	D12/211

(Continued)

Primary Examiner — Stacia A Cadum

(74) *Attorney, Agent, or Firm* — Eric Hanscom

(57) **CLAIM**

The ornamental design for a wheel, as shown and described.

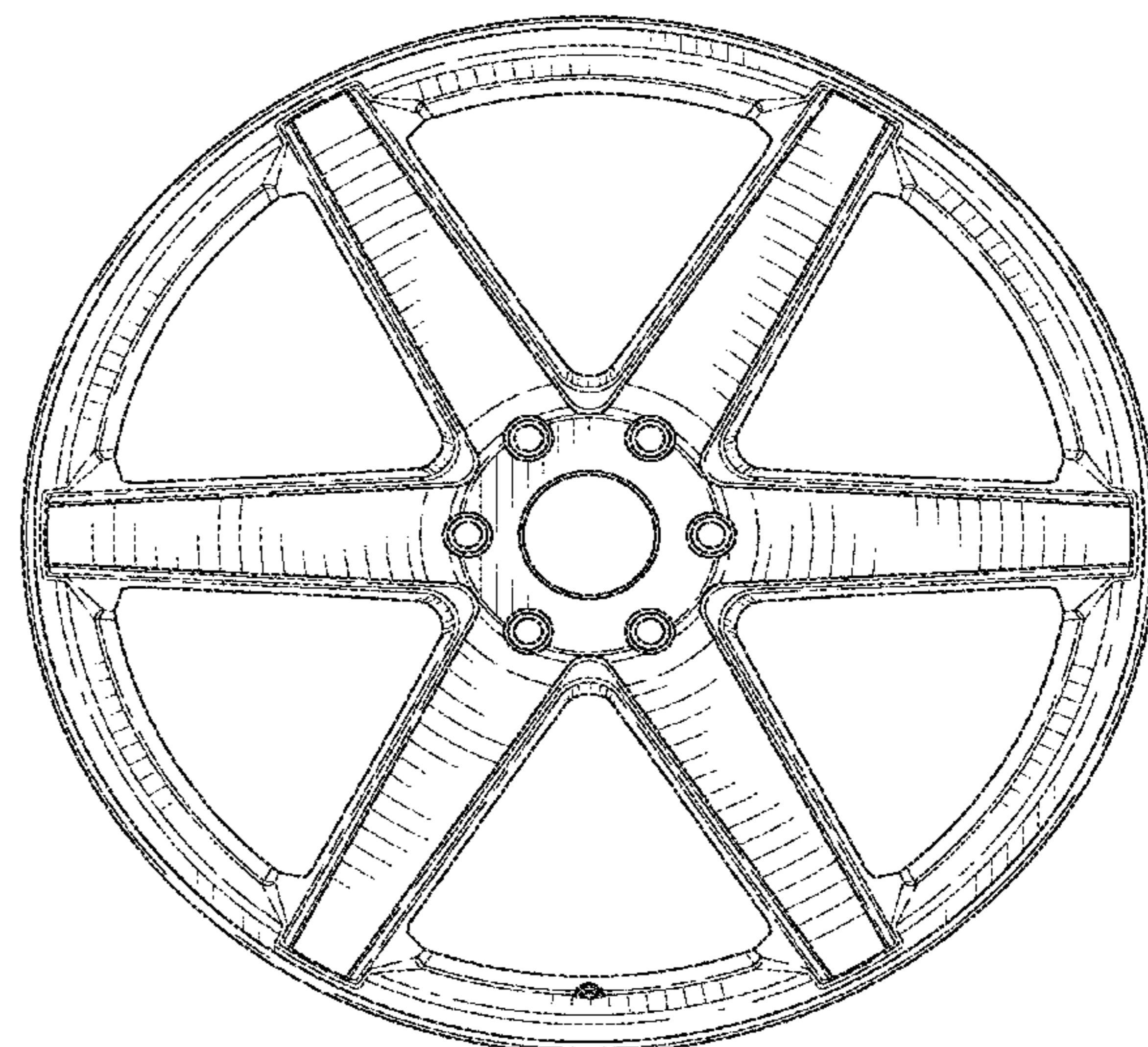
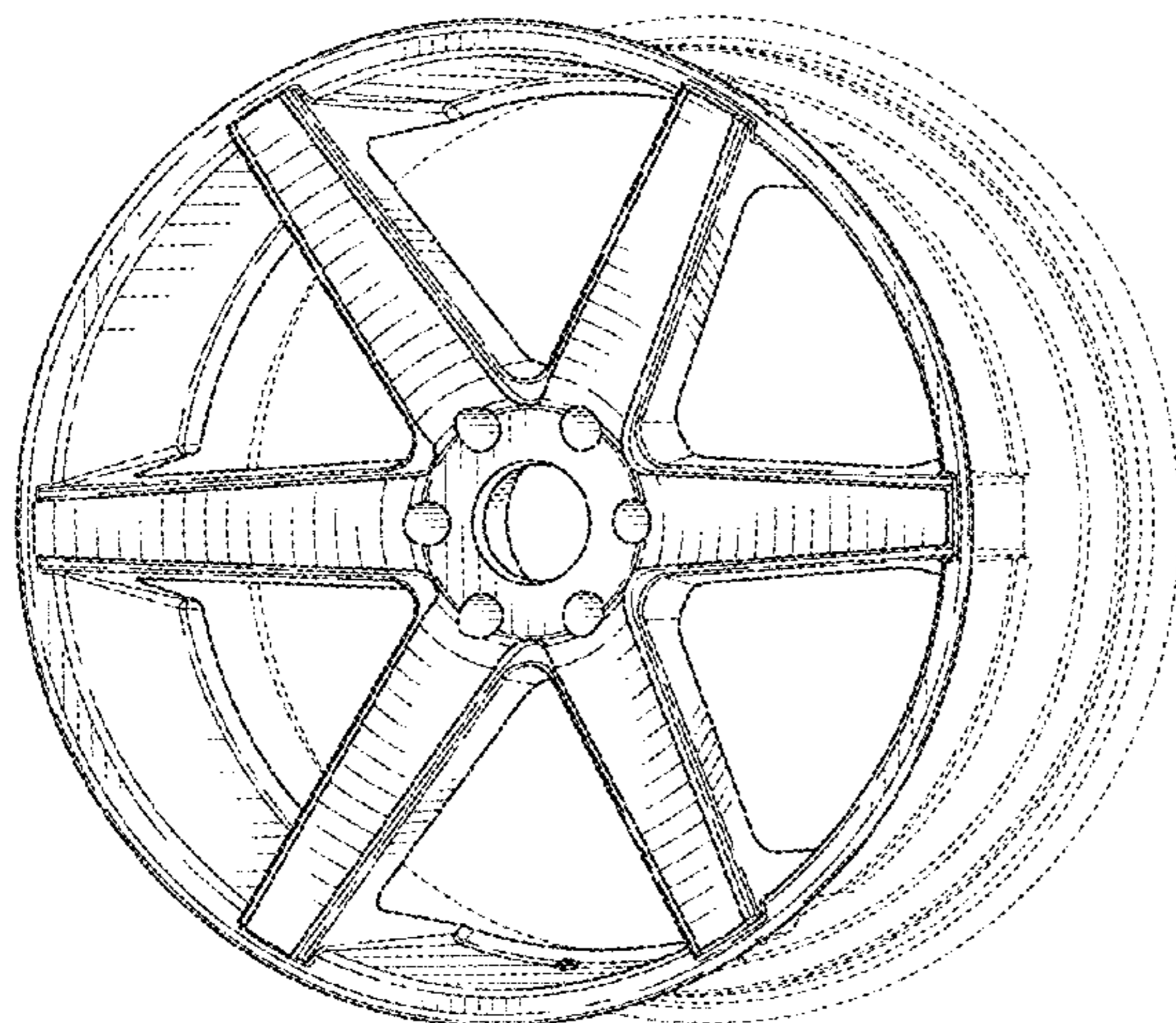
DESCRIPTION

FIG. 1 is a perspective view of a wheel showing my new design; and,

FIG. 2 is a front view thereof.

Dashed lines represent material that is not claimed by this patent, and are for purposes of illustration only. Applicant is claiming the front portion of the wheel only and makes no claim to the ornamental design of the sides or back of the wheel.

1 Claim, 2 Drawing Sheets



(56)

References Cited

U.S. PATENT DOCUMENTS

D832,174 S * 10/2018 Chung D12/209
D836,525 S * 12/2018 Sempek D12/211

* cited by examiner

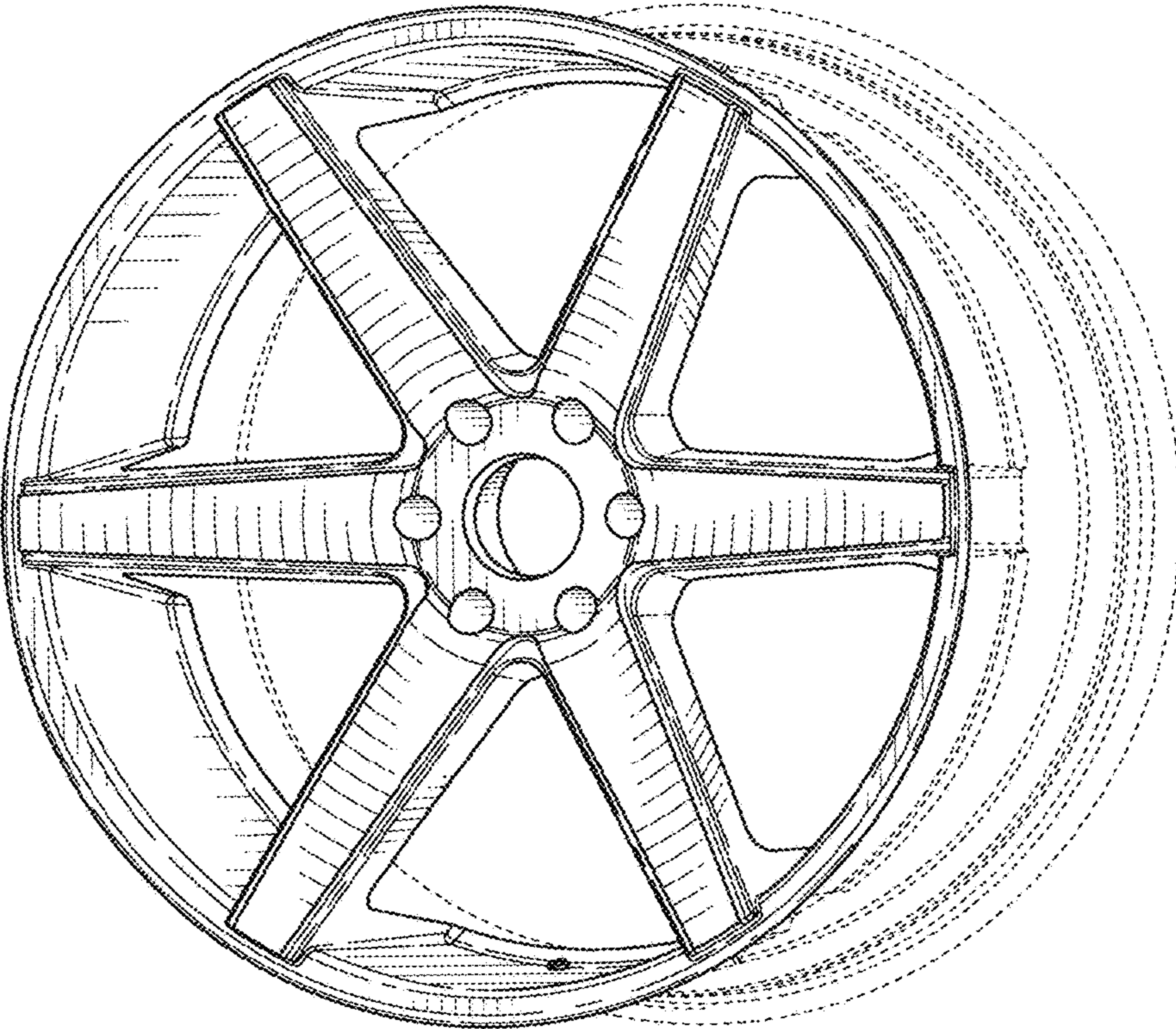


FIG. 1

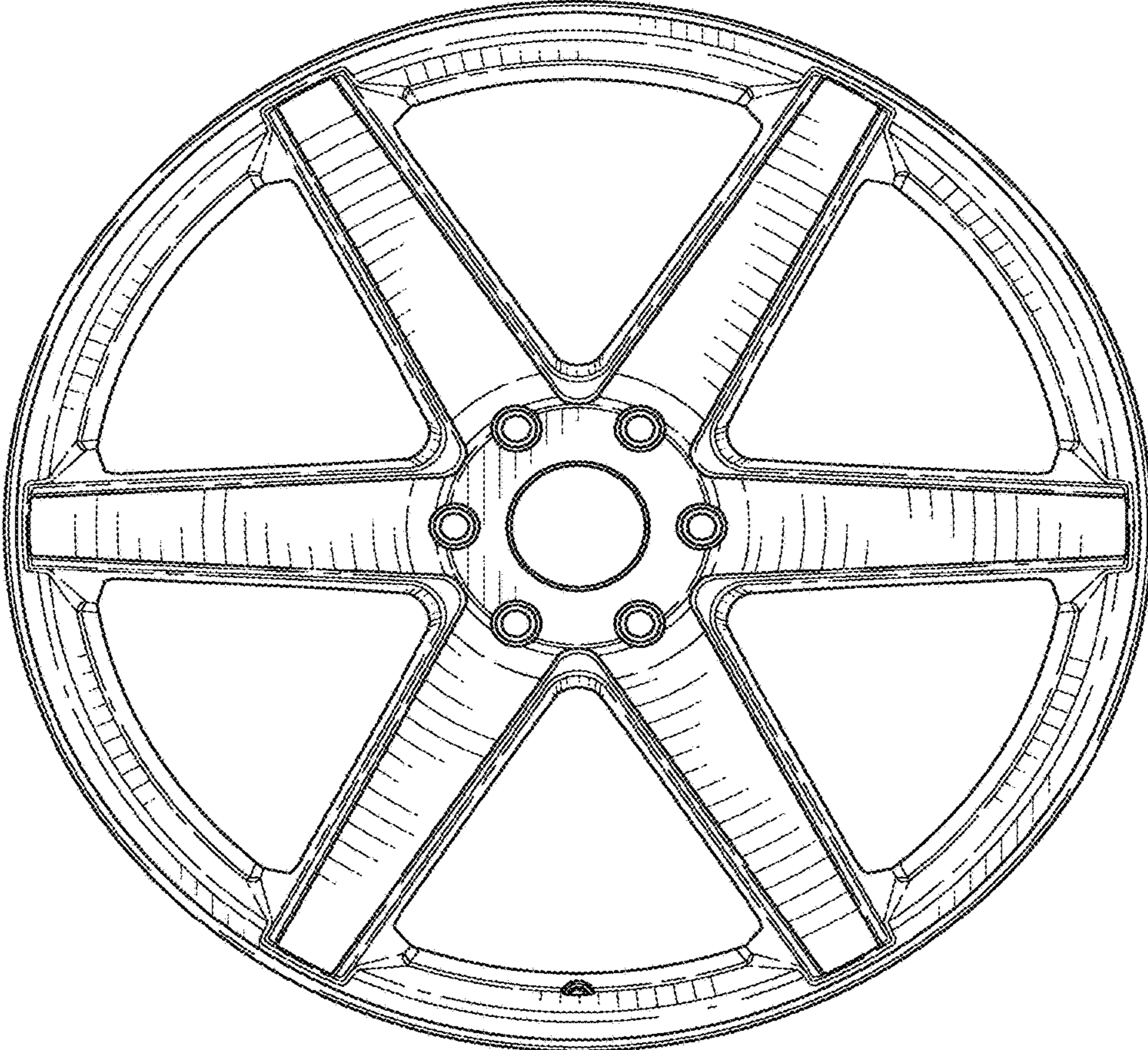


FIG. 2