

US00D852705S

(12) **United States Design Patent**  
**Smith**

(10) **Patent No.:** **US D852,705 S**

(45) **Date of Patent:** **\*\* Jul. 2, 2019**

(54) **WHEEL**

(71) Applicant: **Jaguar Land Rover Limited**, Whitley,  
Coventry (GB)

(72) Inventor: **Luke Smith**, Coventry (GB)

(73) Assignee: **Jaguar Land Rover Limited**, Whitley,  
Coventry (GB)

(\*\*) Term: **15 Years**

(21) Appl. No.: **29/647,678**

(22) Filed: **May 15, 2018**

(30) **Foreign Application Priority Data**

Nov. 16, 2017 (EM) ..... 004509800

(51) **LOC (11) Cl.** ..... **12-16**

(52) **U.S. Cl.**  
USPC ..... **D12/209**

(58) **Field of Classification Search**  
USPC ..... D12/204–213  
See application file for complete search history.

(56) **References Cited**

**U.S. PATENT DOCUMENTS**

D430,842 S \* 9/2000 Chinellato ..... D12/209  
D594,800 S \* 6/2009 Blasi ..... D12/209

D652,361 S \* 1/2012 Forschner ..... D12/209  
D753,045 S \* 4/2016 Kawaguchi ..... D12/209  
D762,543 S \* 8/2016 Hara ..... D12/209  
D763,158 S \* 8/2016 Hara ..... D12/209  
D781,200 S \* 3/2017 Back ..... D12/209  
D792,306 S \* 7/2017 Ishigaki ..... D12/209  
D818,411 S \* 5/2018 Kawaguchi ..... D12/209  
D818,926 S \* 5/2018 Miyazawa ..... D12/209  
D823,224 S \* 7/2018 Nakamura ..... D12/211  
D826,826 S \* 8/2018 Back ..... D12/209  
D835,561 S \* 12/2018 Hayashi ..... D12/209

\* cited by examiner

*Primary Examiner* — Stacia A Cadmus

(74) *Attorney, Agent, or Firm* — Wood Herron & Evans  
LLP

(57) **CLAIM**

The ornamental design for a wheel, as shown and described.

**DESCRIPTION**

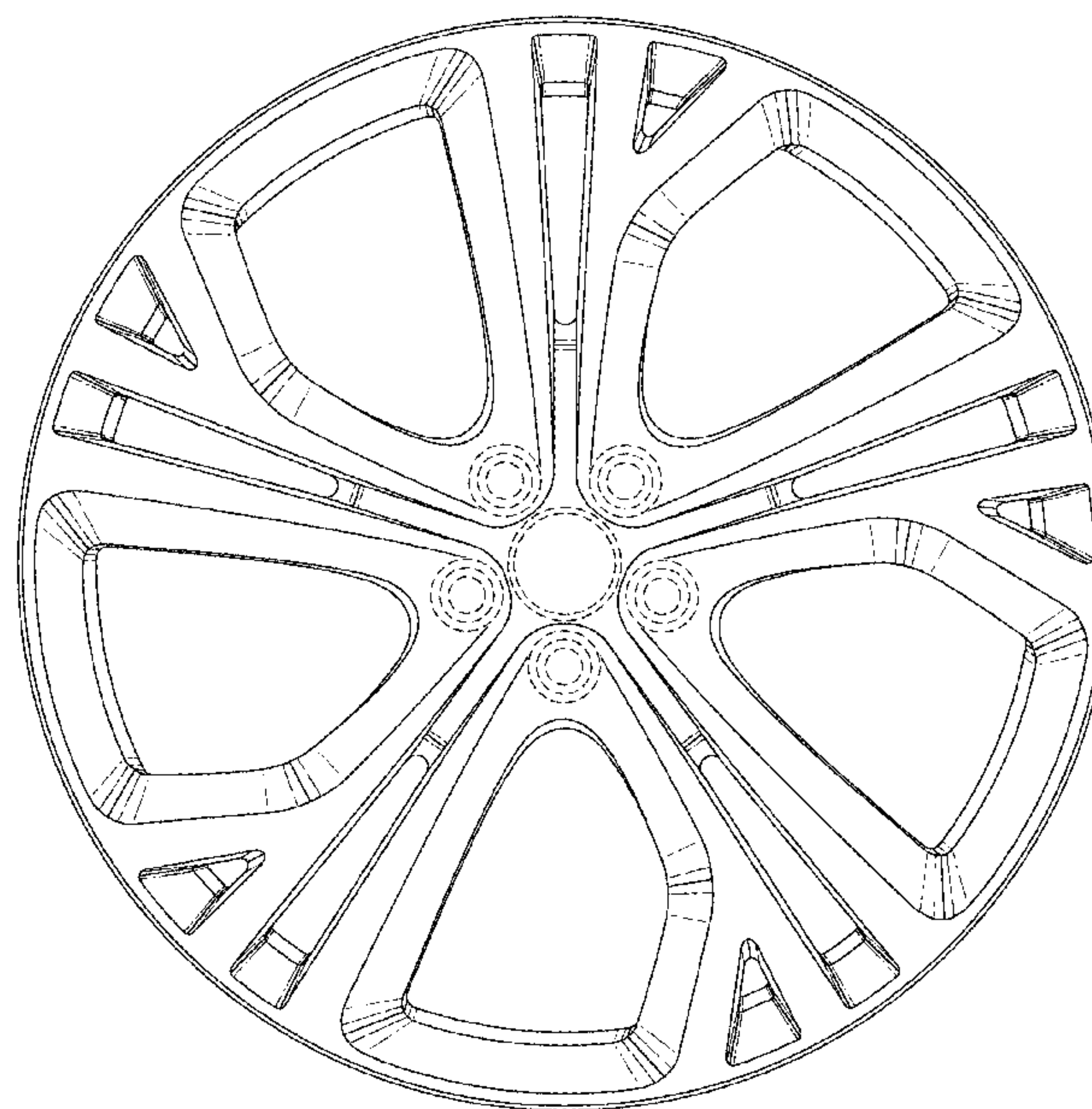
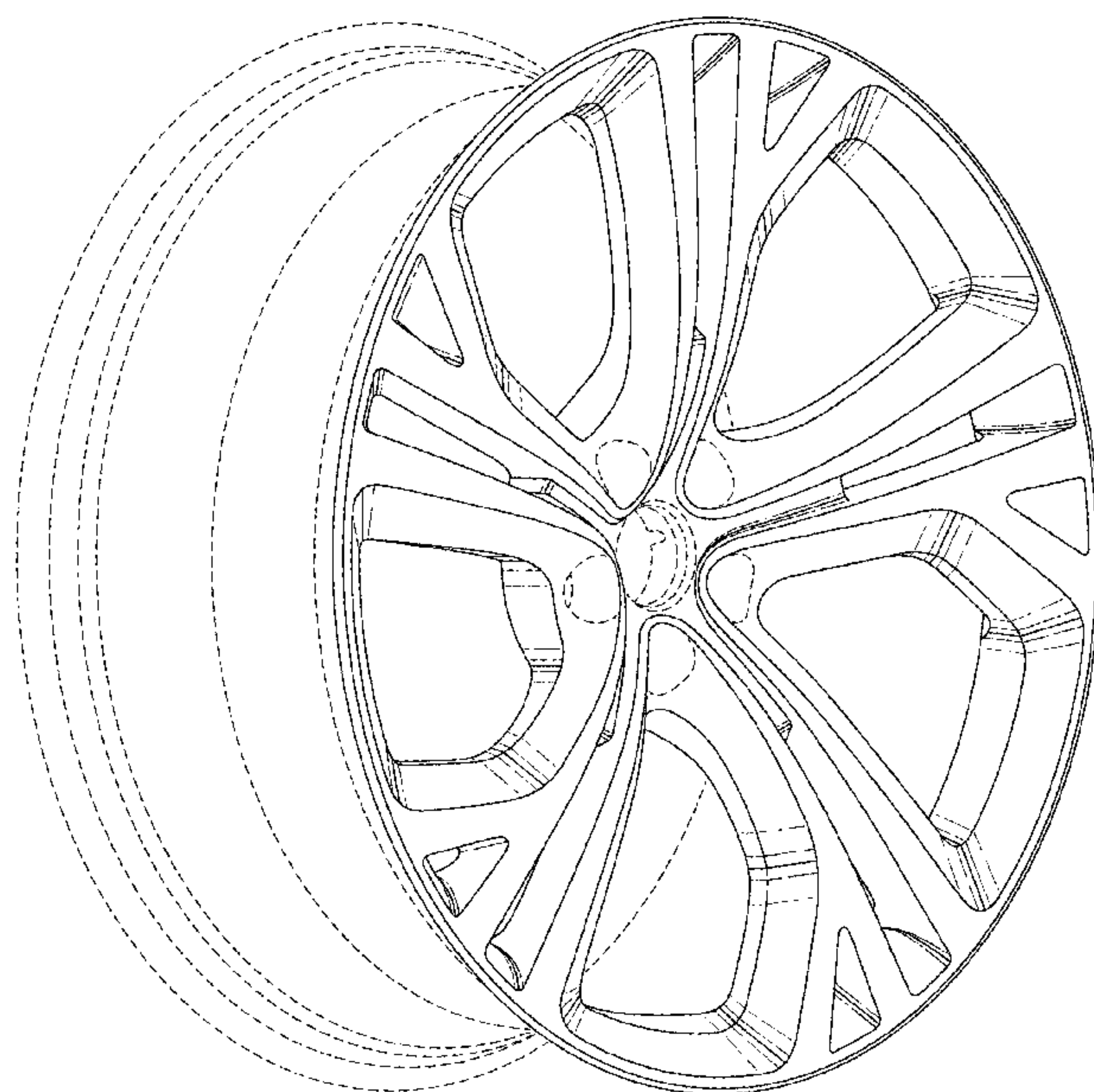
FIG. 1 is a front left perspective view of a wheel for a vehicle according to the present invention.

FIG. 2 is a front view thereof; and,

FIG. 3 is a left side view thereof, the right side view being a mirror image thereof.

The broken line showing of the rear portion of the wheel, the bolt holes, the center hole, and the valve stem hole is included for the purpose of illustrating environment and forms no part of the claimed design.

**1 Claim, 3 Drawing Sheets**



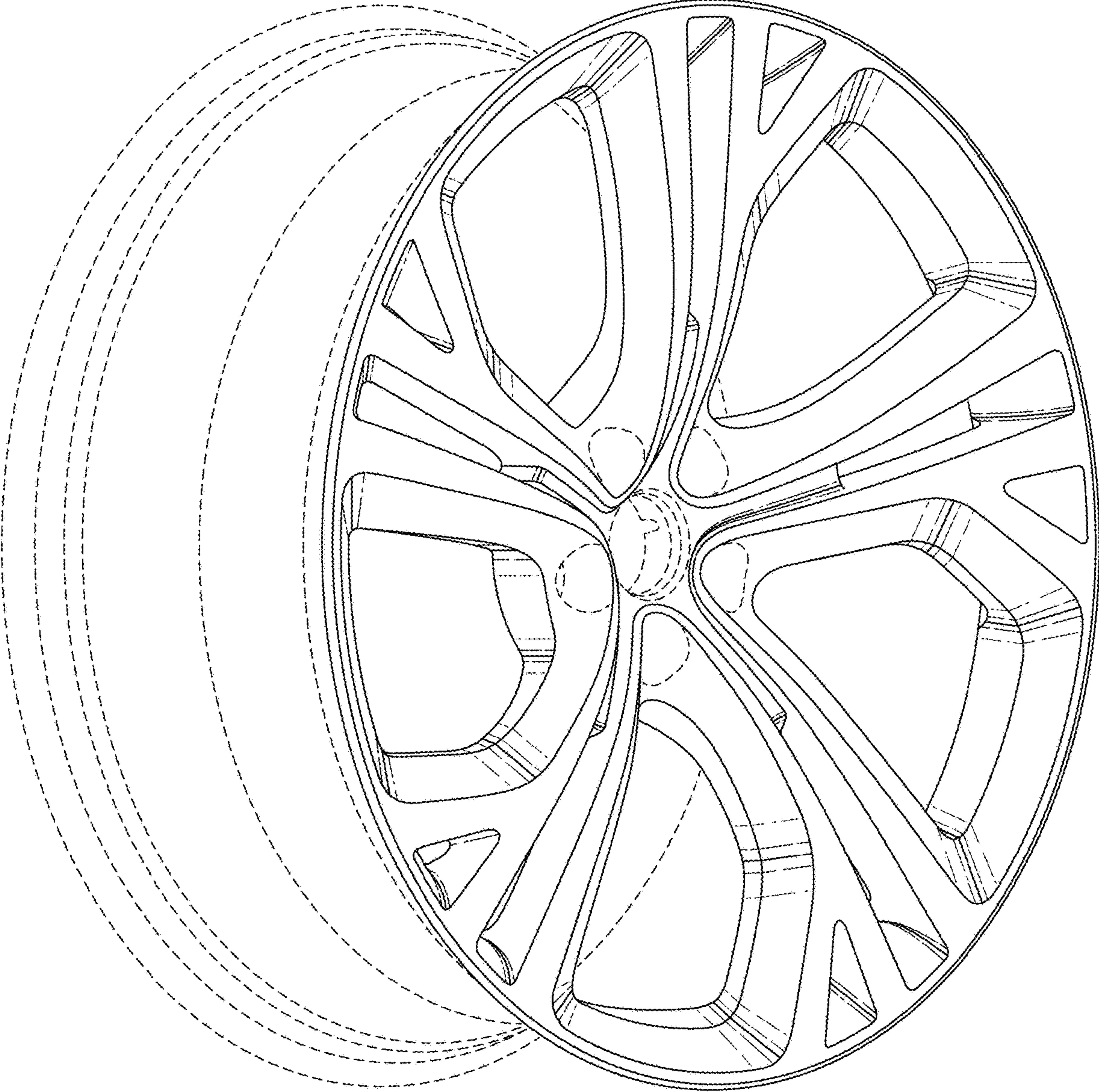


FIG. 1



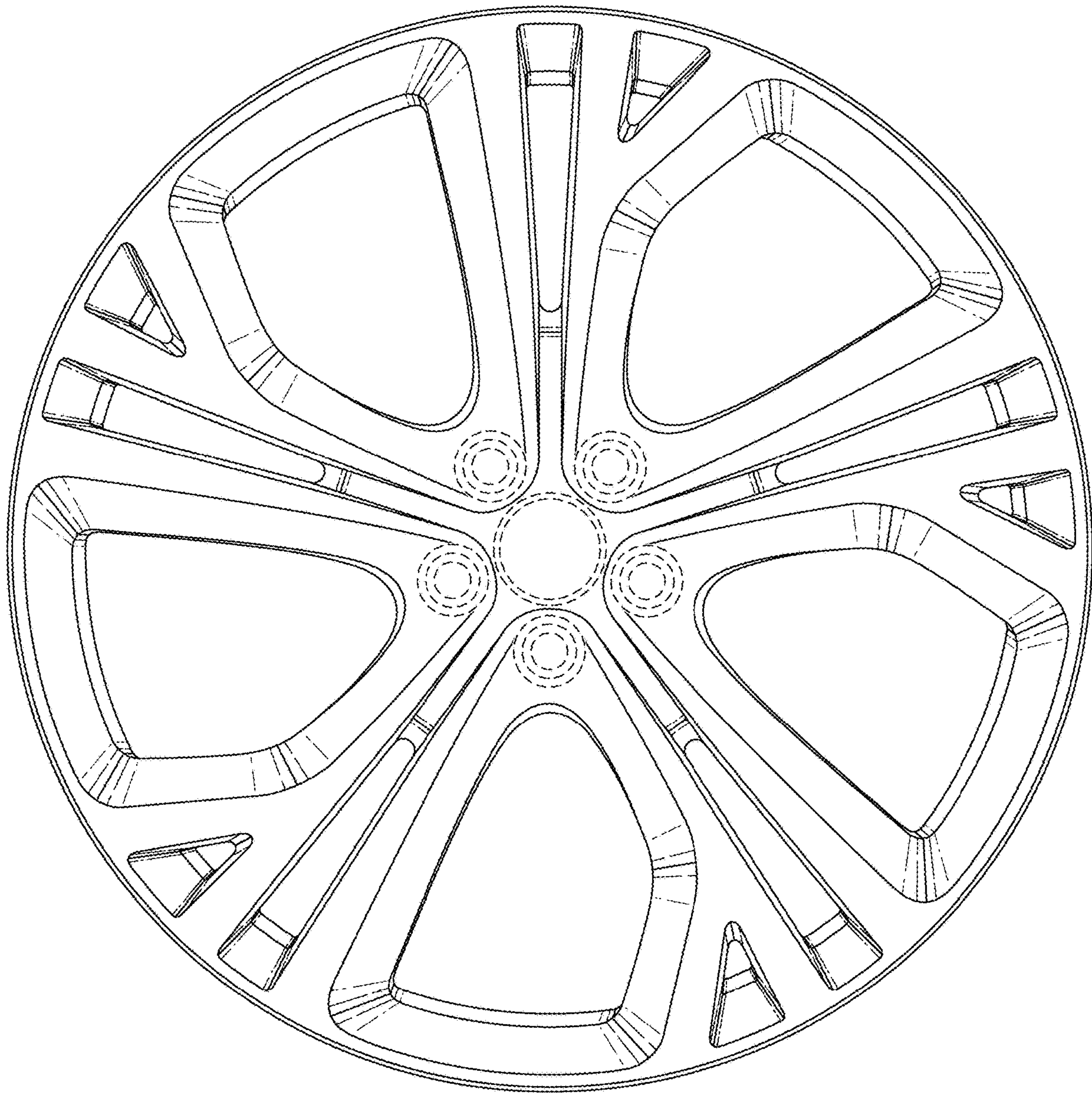


FIG. 2

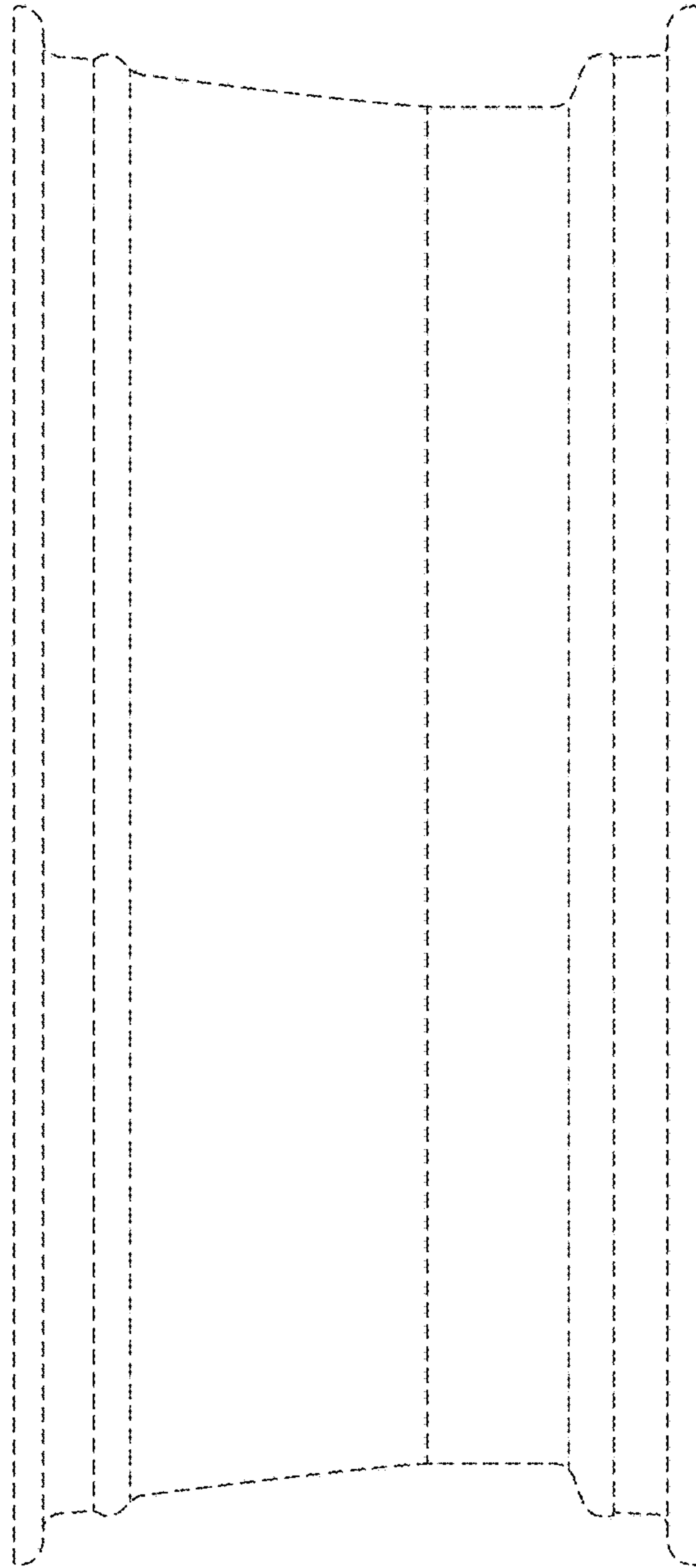


FIG. 3