



US00D852696S

(12) **United States Design Patent**
Paranjothi

(10) **Patent No.:** **US D852,696 S**

(45) **Date of Patent:** **** Jul. 2, 2019**

(54) **SLACK ADJUSTER**
(71) Applicant: **WABCO India Limited**, Chennai (IN)
(72) Inventor: **Rajasekar Paranjothi**, Pollachi (IN)
(73) Assignee: **WABCO India Limited**, Chennai (IN)
(**) Term: **15 Years**
(21) Appl. No.: **29/623,260**
(22) Filed: **Oct. 24, 2017**

5,689,231 A * 11/1997 Olson B60Q 1/441
116/208
6,390,244 B1 * 5/2002 Sitter F16D 66/00
188/1.11 W
8,302,744 B2 * 11/2012 Louis F16D 65/60
188/196 B
9,097,305 B2 * 8/2015 Onnestam F16D 65/60
D770,343 S * 11/2016 Hult D12/180
D770,344 S * 11/2016 Hult D12/180
D770,345 S * 11/2016 Hult D12/180
D770,346 S * 11/2016 Hult D12/180
10,197,123 B2 * 2/2019 Drake F16D 65/60
2005/0211506 A1 * 9/2005 Painchaud F16D 65/28
184/104.1
2014/0034427 A1 * 2/2014 Seglo F16D 66/025
188/1.11 W

(30) **Foreign Application Priority Data**

Jun. 10, 2017 (IN) 294572
(51) **LOC (11) Cl.** **12-16**
(52) **U.S. Cl.**
USPC **D12/180**
(58) **Field of Classification Search**
USPC D12/180
CPC F16D 66/02; F16D 65/60
See application file for complete search history.

* cited by examiner

Primary Examiner — Kevin K Rudzinski
(74) *Attorney, Agent, or Firm* — Brinks Gilson & Lione

(57) **CLAIM**

The ornamental design for a slack adjuster, as shown and described.

(56) **References Cited**

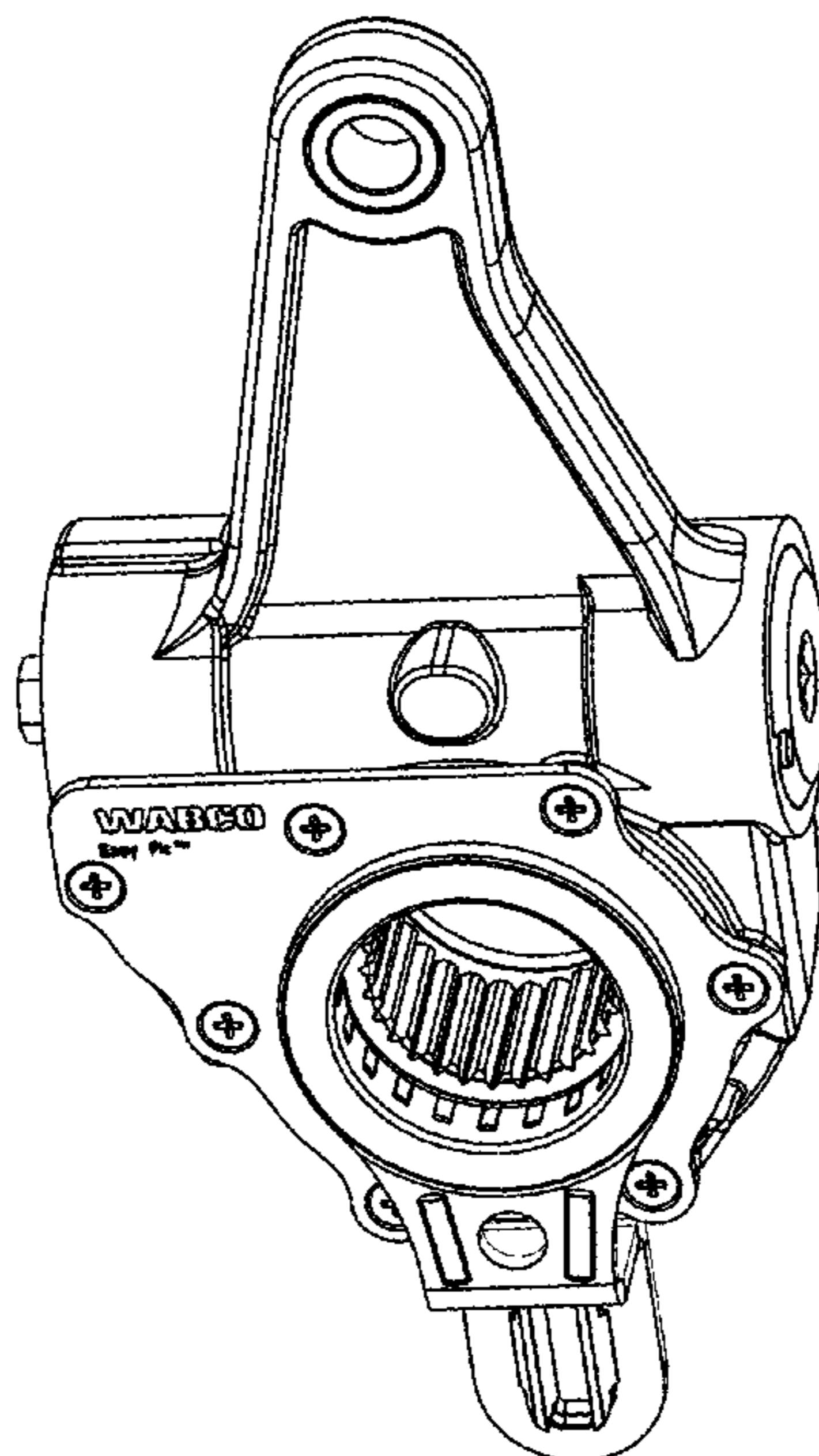
U.S. PATENT DOCUMENTS

3,008,344 A * 11/1961 Dracka F16D 65/50
74/522
4,880,085 A * 11/1989 Taylor F16D 65/22
188/79.55
5,253,735 A * 10/1993 Larson B60T 17/22
188/1.11 L
5,327,999 A * 7/1994 Nelander F16D 65/60
188/196 BA
5,535,854 A * 7/1996 Prince F16D 65/60
188/1.11 R

DESCRIPTION

FIG. 1 is a first perspective view of the slack adjuster;
FIG. 2 is a second perspective view thereof;
FIG. 3 is a left side view thereof;
FIG. 4 is a right side view thereof;
FIG. 5 is a front view thereof;
FIG. 6 is a rear view thereof;
FIG. 7 is a top view thereof; and,
FIG. 8 is a bottom view thereof.

1 Claim, 7 Drawing Sheets



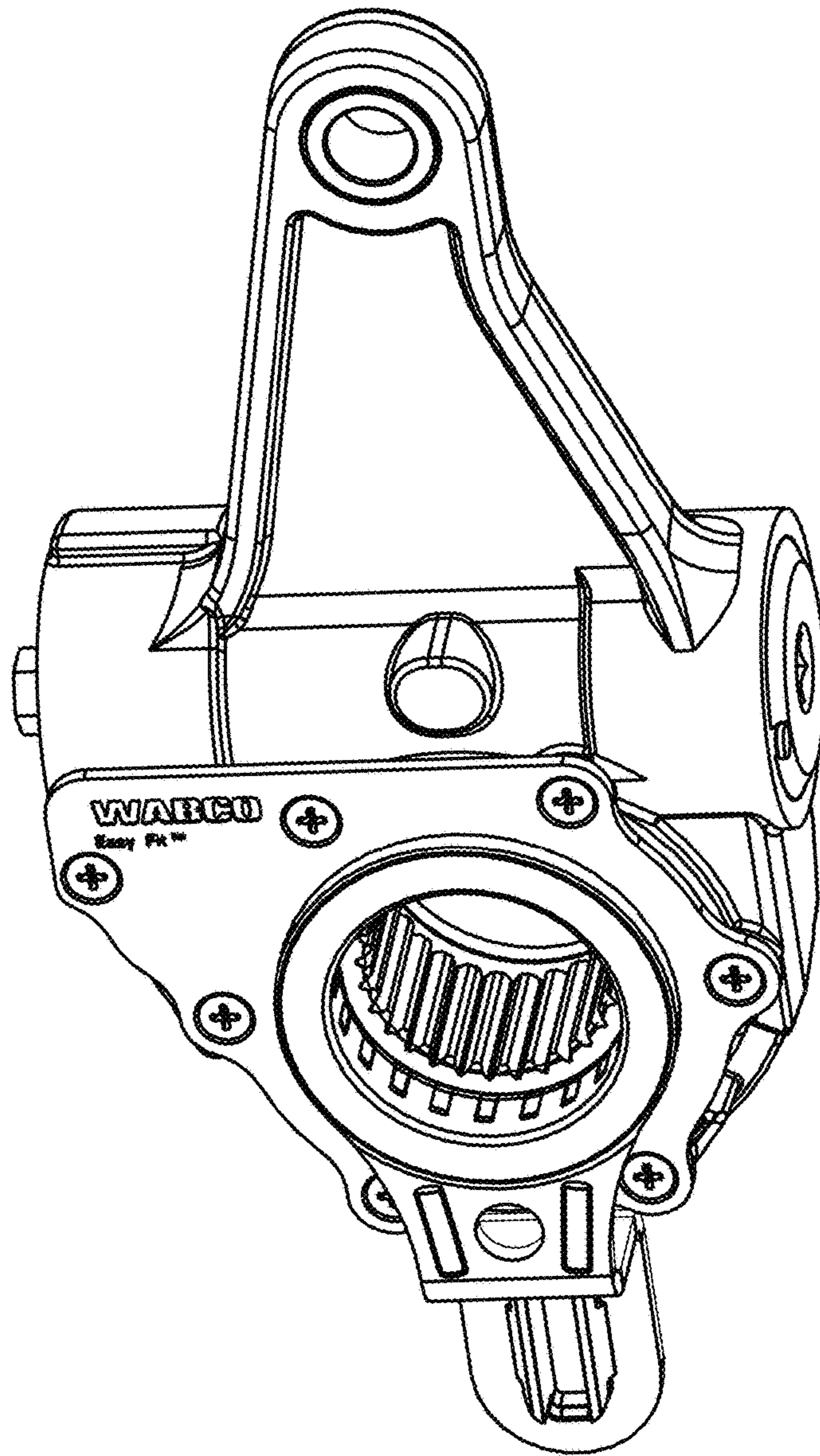


FIG-1

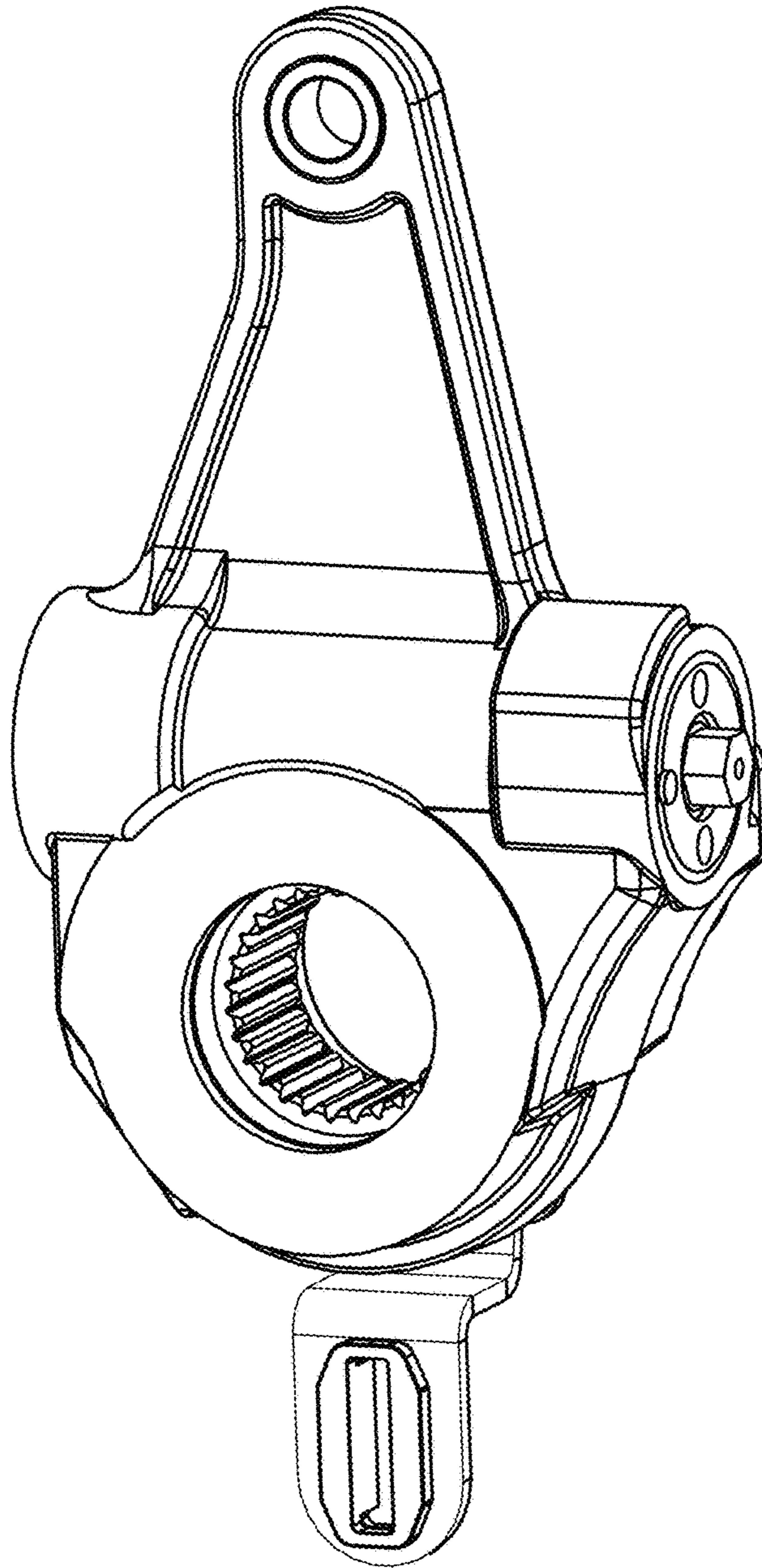


FIG-2

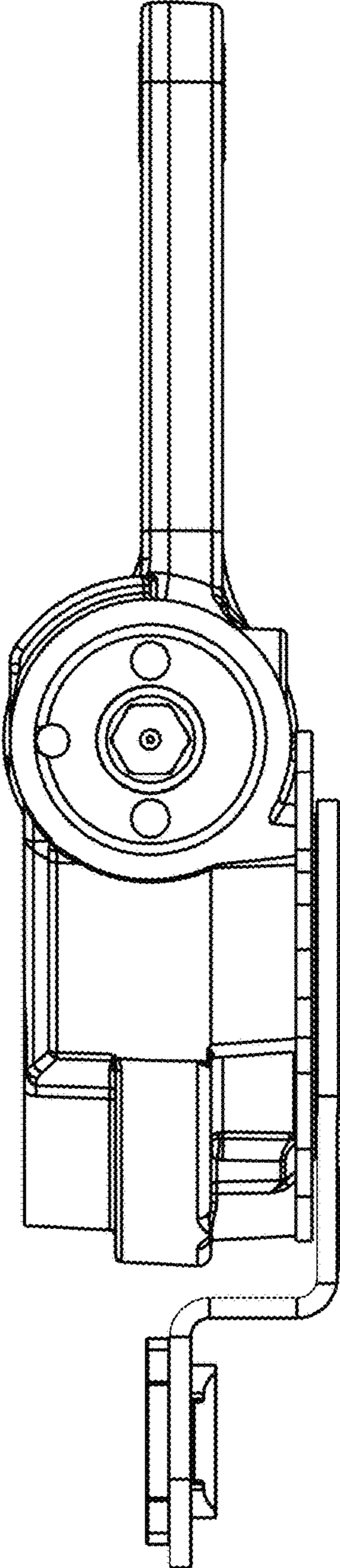


FIG-3

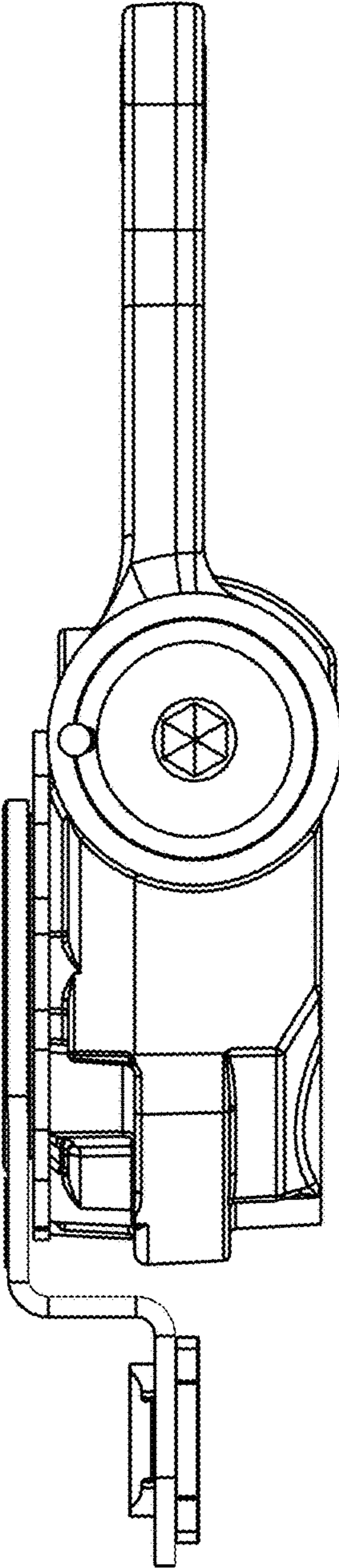


FIG-4

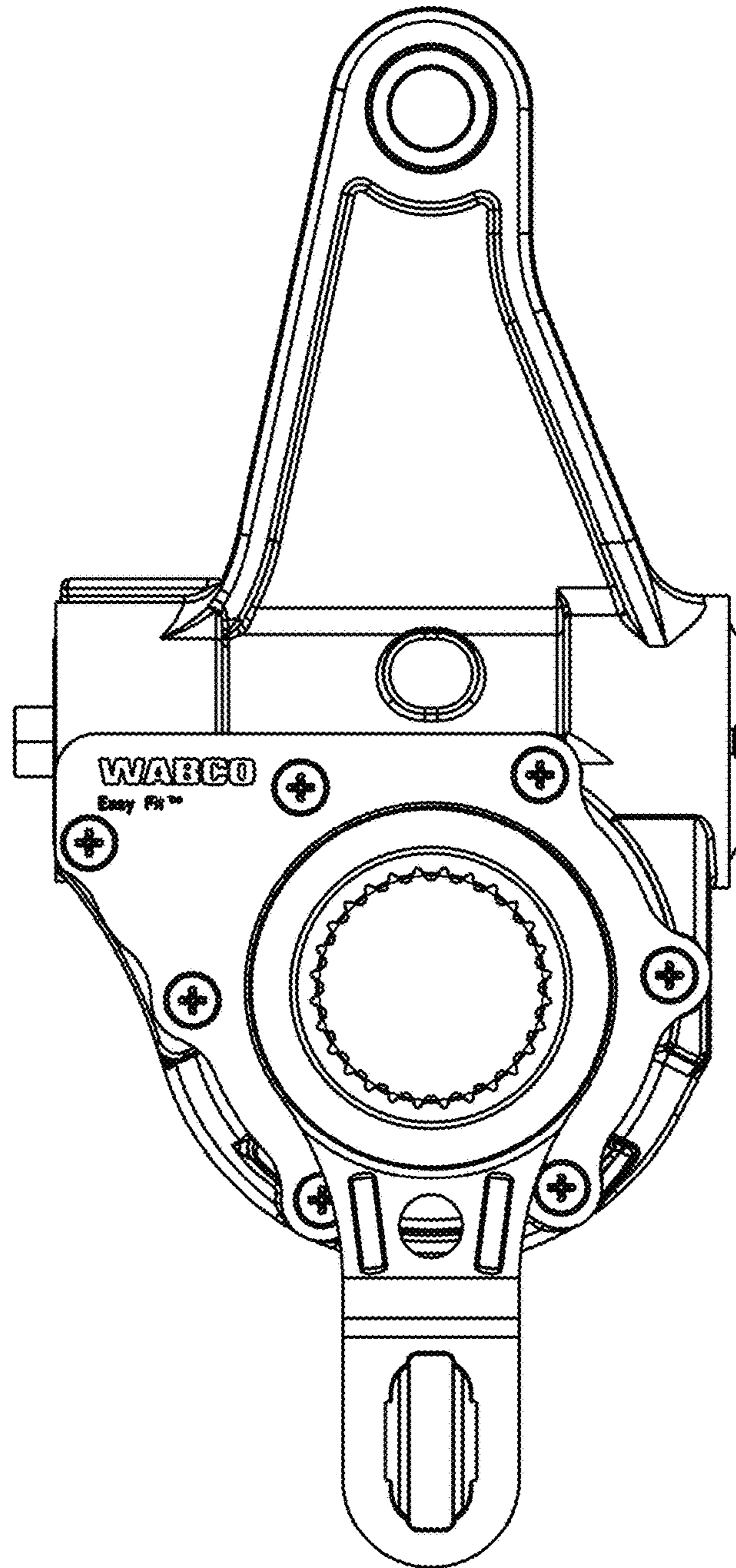


FIG-5

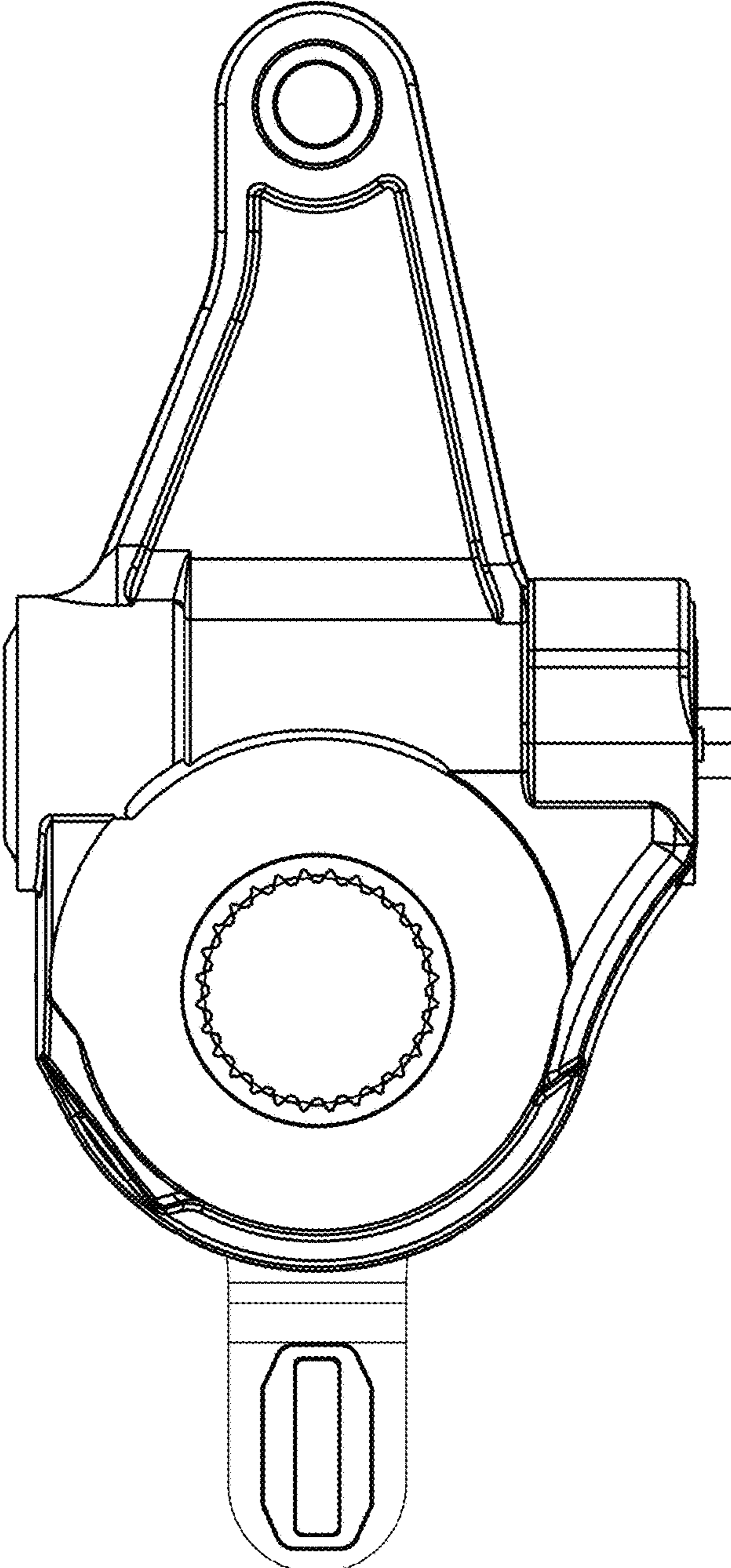


FIG-6

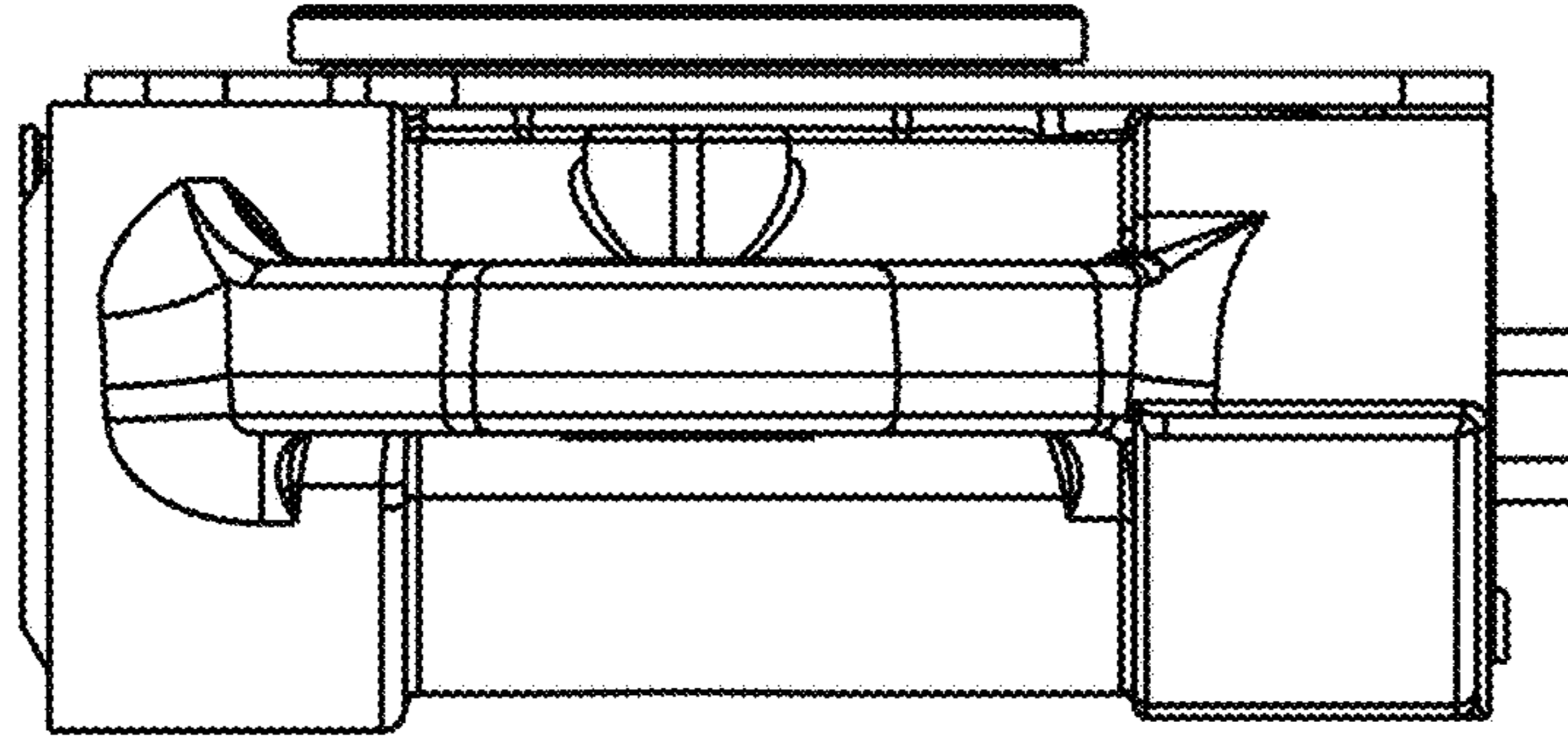


FIG-7

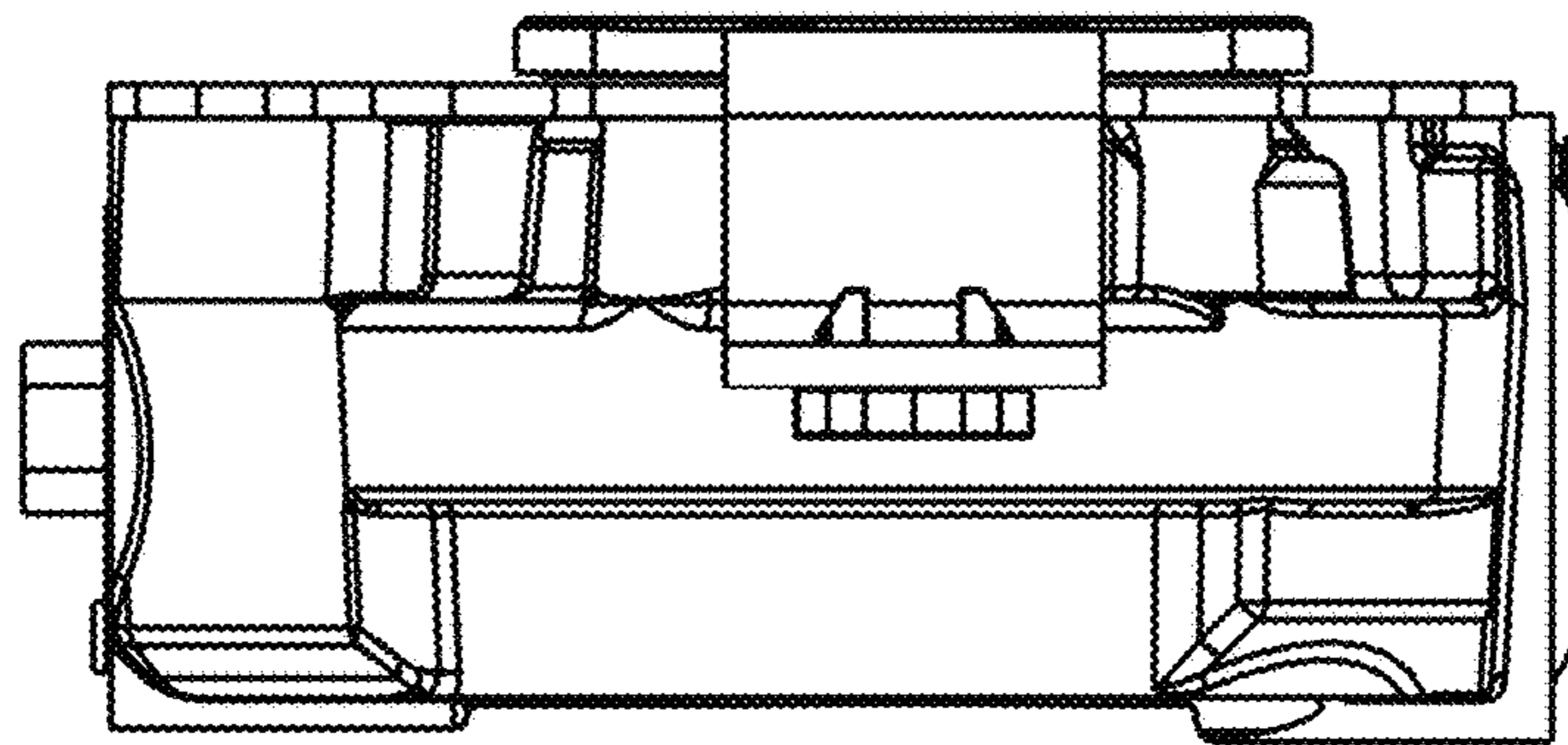


FIG-8