



US00D852693S

(12) **United States Design Patent**
Galib et al.

(10) **Patent No.:** **US D852,693 S**

(45) **Date of Patent:** **** Jul. 2, 2019**

- (54) **COWL ASSEMBLY FOR A VEHICLE**
- (71) Applicant: **Deere & Company**, Moline, IL (US)
- (72) Inventors: **Mohammed Shuja Galib**, Araria (IN);
Piyush Choudhary, Bokaro Steel (IN)
- (73) Assignee: **DEERE & COMPANY**, Moline, IL (US)

D749,106 S *	2/2016	Lisseman	B62D 1/046 D14/486
9,421,993 B2 *	8/2016	Spaggiari	B62D 1/046
9,511,790 B2 *	12/2016	Spaggiari	B62D 1/046
D775,563 S *	1/2017	Shan	D12/192
9,650,009 B2 *	5/2017	Bana Castro	B60R 21/203
D811,296 S *	2/2018	Cadalore	D12/177
D824,302 S *	7/2018	Cadalore	D12/177
D824,826 S *	8/2018	Cadalore	D12/177
D825,418 S *	8/2018	Cadalore	D12/177
D826,117 S *	8/2018	Cadalore	D12/177

(**) Term: **15 Years**

* cited by examiner

(21) Appl. No.: **29/596,707**

Primary Examiner — Susan Bennett Hattan

(22) Filed: **Mar. 10, 2017**

Assistant Examiner — Suzanne E Tisdell

(30) **Foreign Application Priority Data**

(57) **CLAIM**

The ornamental design for a cowl assembly for a vehicle.

Sep. 12, 2016 (IN) 286769

DESCRIPTION

(51) **LOC (11) Cl.** **12-16**

(52) **U.S. Cl.**
USPC **D12/177**

(58) **Field of Classification Search**
USPC D12/174, 175, 176, 177, 192, 196
CPC . B60R 21/203; B60R 21/215; B60R 21/2155;
B60R 2021/21543; B62D 1/046; B60Q
1/0082; B60Q 1/343

See application file for complete search history.

FIG. 1 is a top, front, left perspective view of a cowl assembly embodying our new design;
FIG. 2 is a left side elevational view thereof;
FIG. 3 is a right side elevational view thereof;
FIG. 4 is a front elevational view thereof;
FIG. 5 is a rear elevational view thereof;
FIG. 6 is a top plan view thereof; and,
FIG. 7 is a bottom plan view thereof.

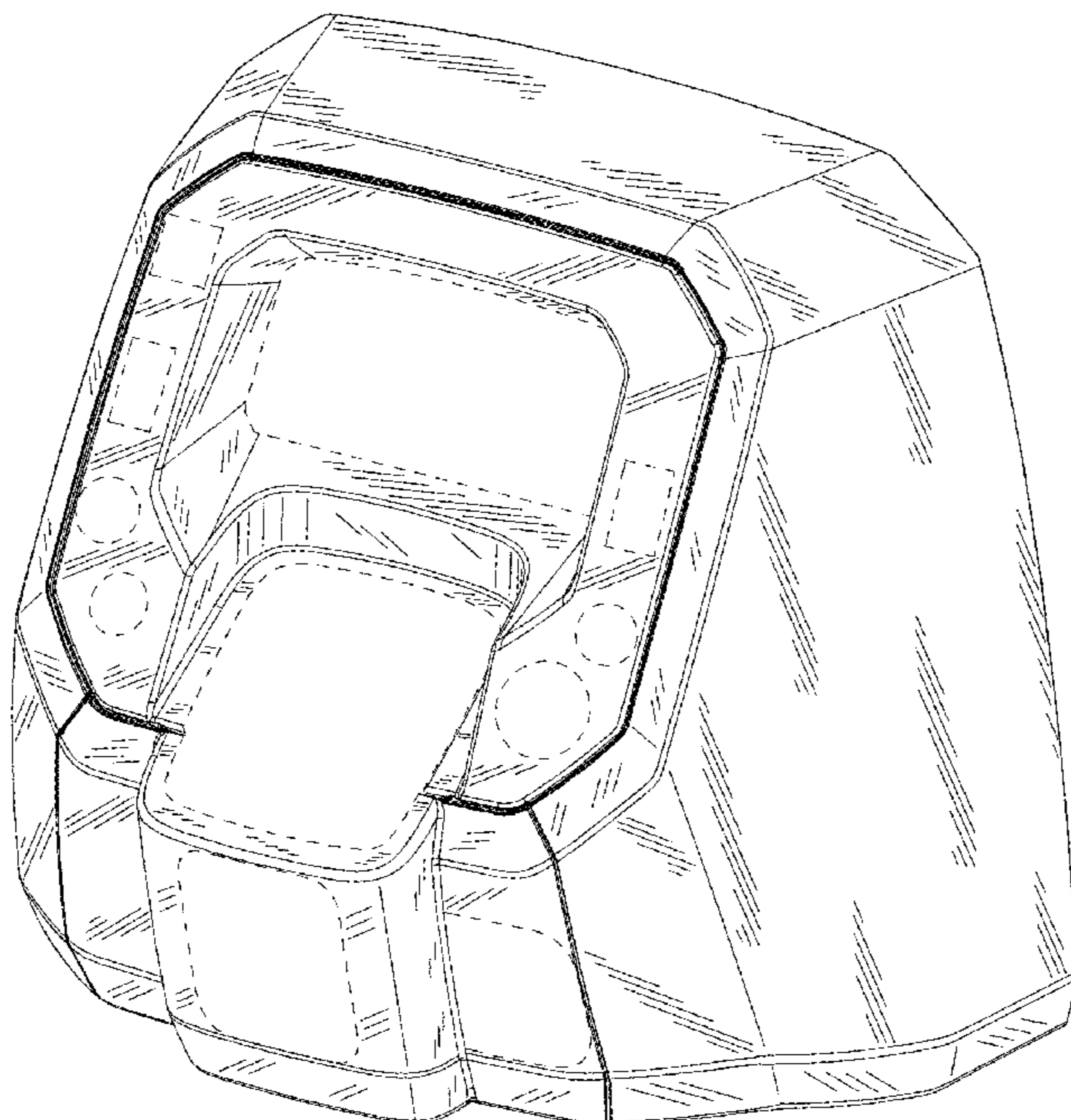
The ornamental design which is claimed is shown in solid lines in the drawings. The portions of the design shown in broken lines or dashed lines are included for the purpose of illustrating environment and form no part of the claimed design.

(56) **References Cited**

U.S. PATENT DOCUMENTS

D346,997 S *	5/1994	Kurtis	D12/176
9,090,282 B2 *	7/2015	Salvini	B62D 1/065

1 Claim, 7 Drawing Sheets



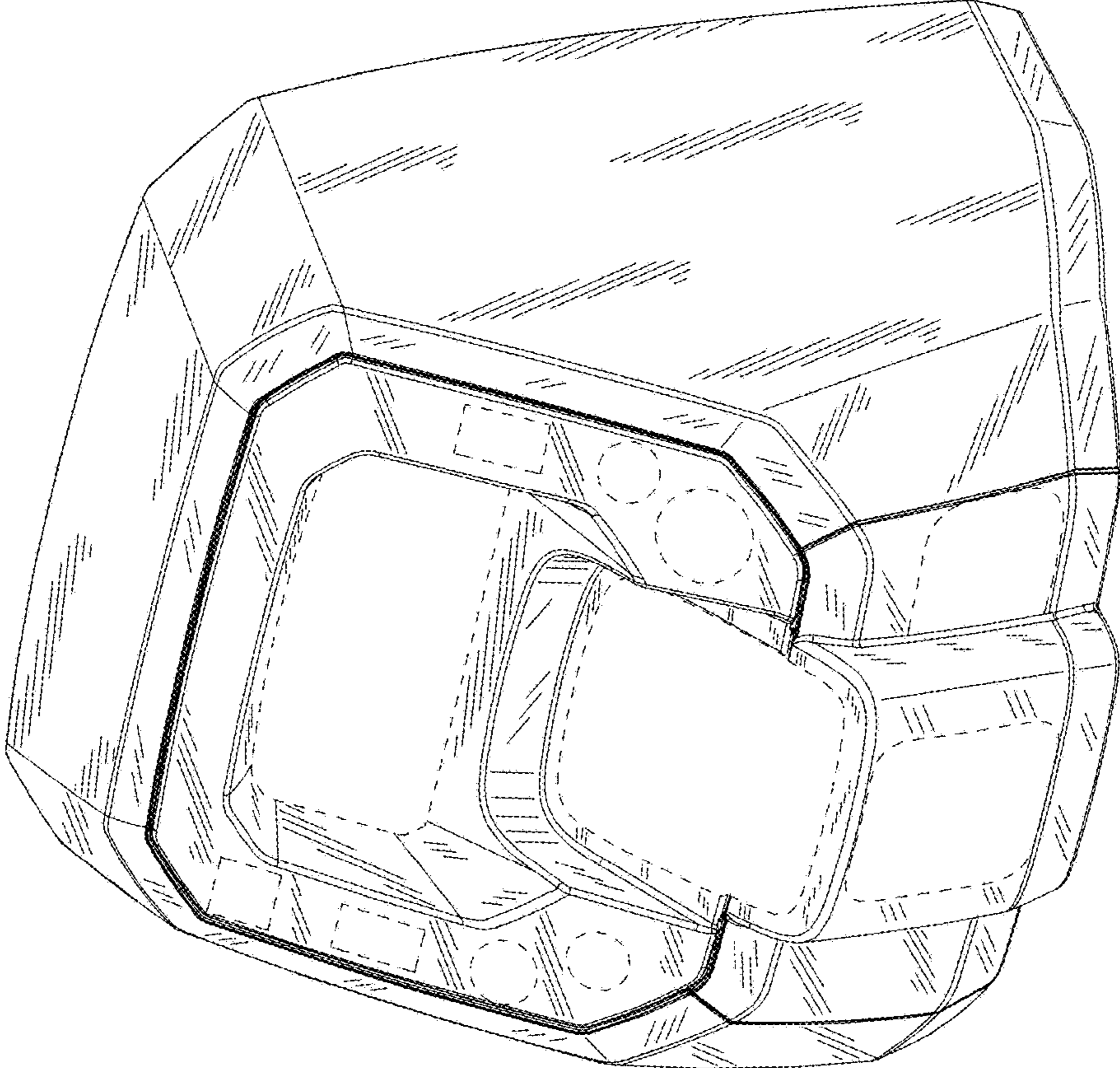


FIG. 1

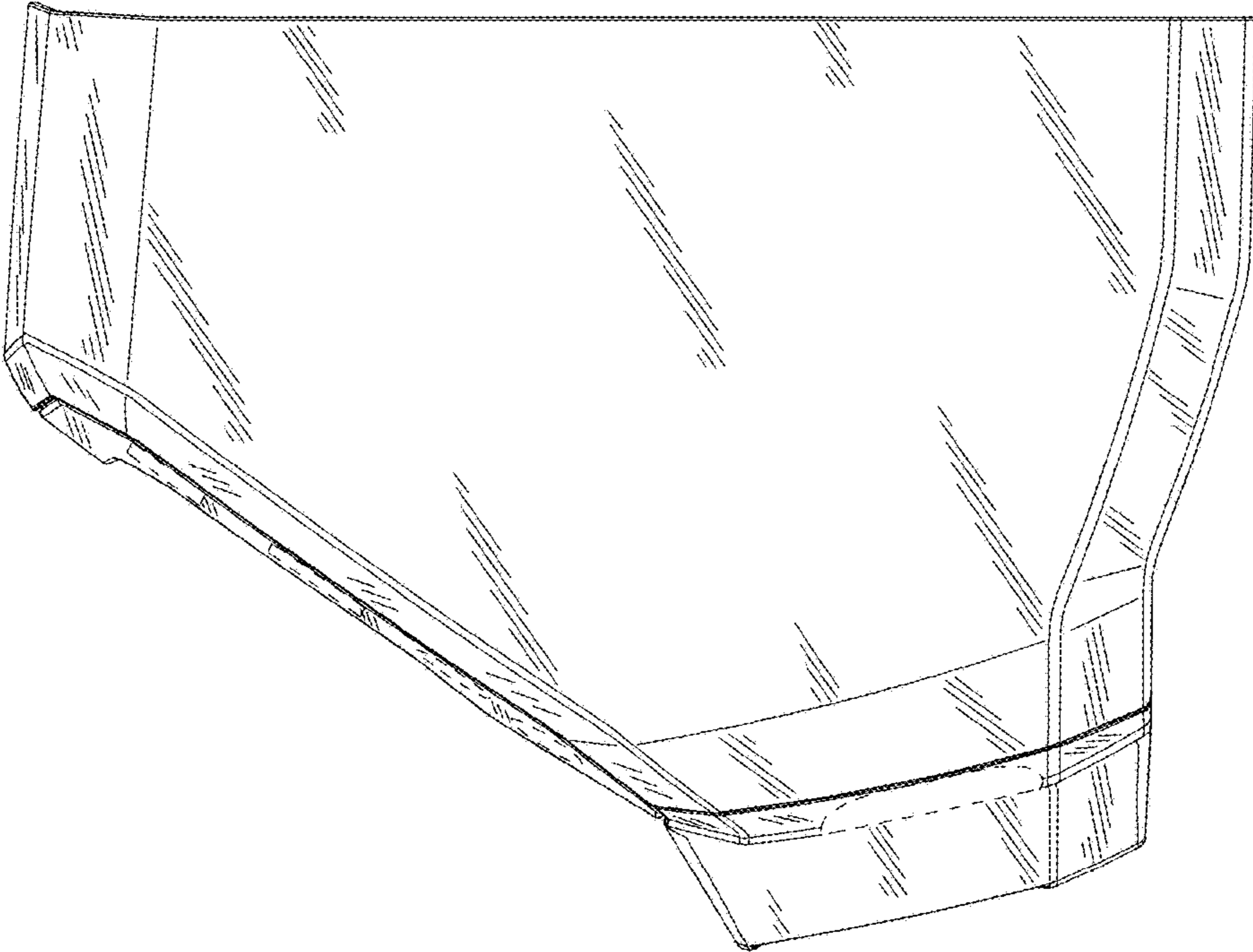


FIG. 2

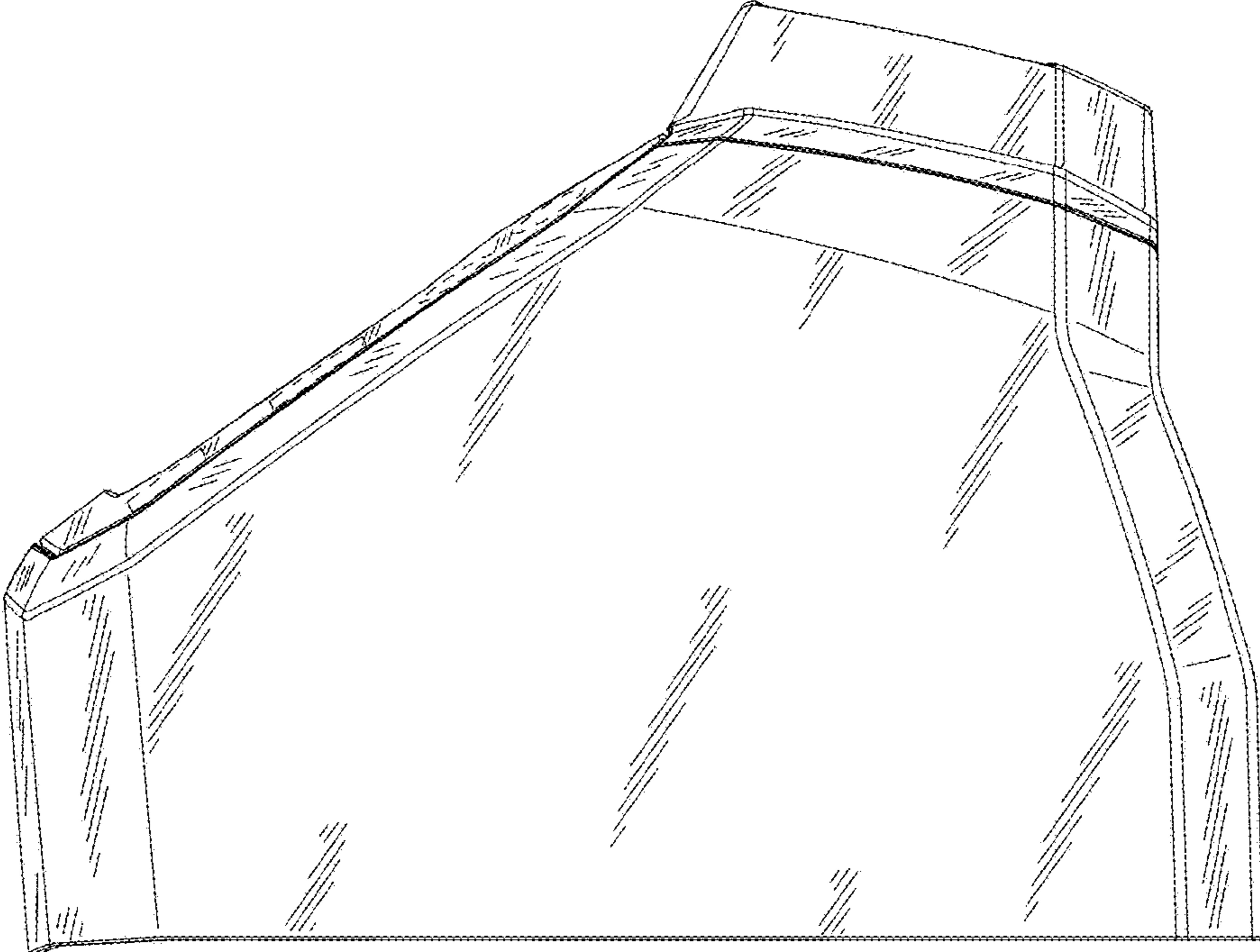


FIG. 3

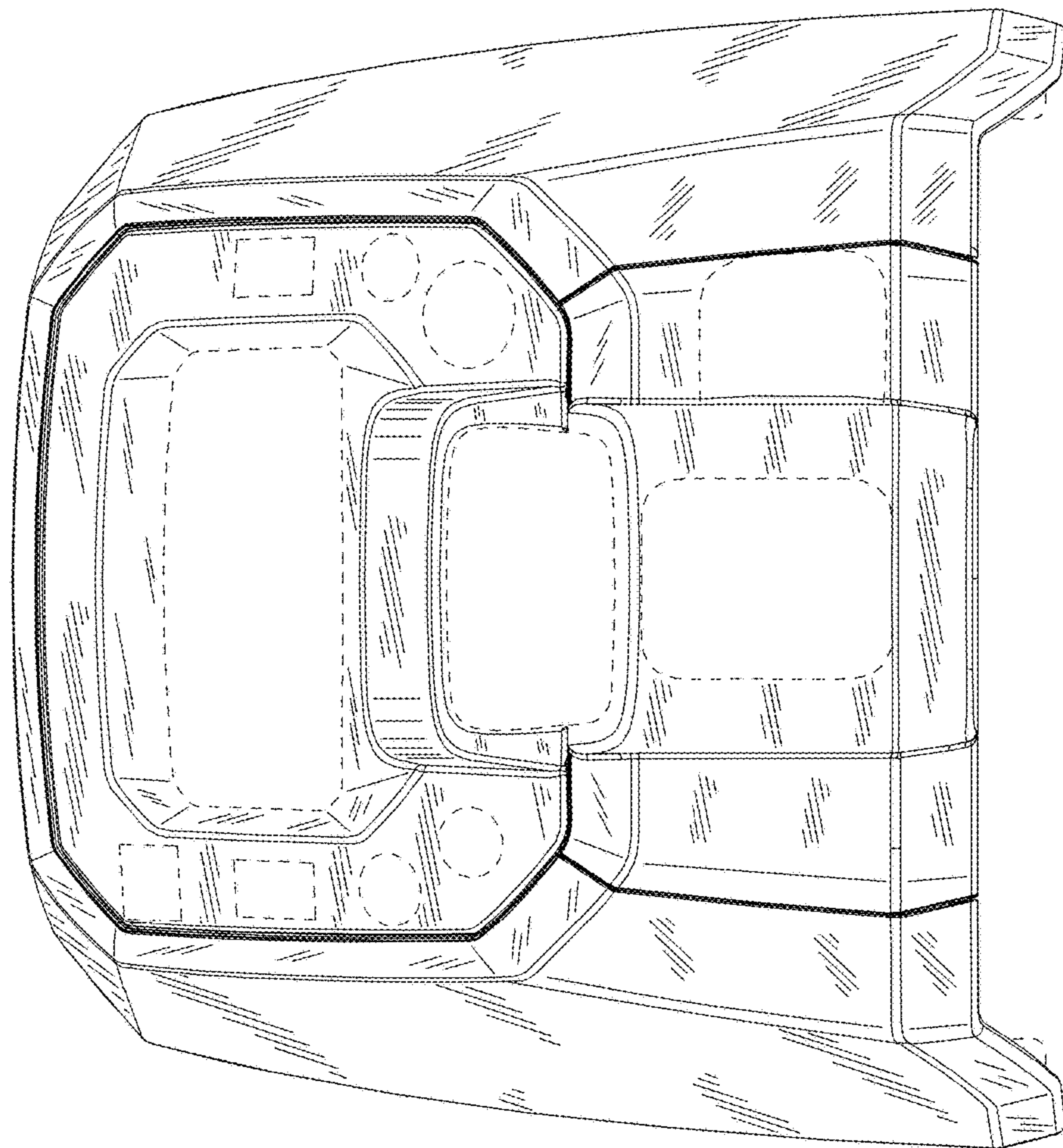


FIG. 4

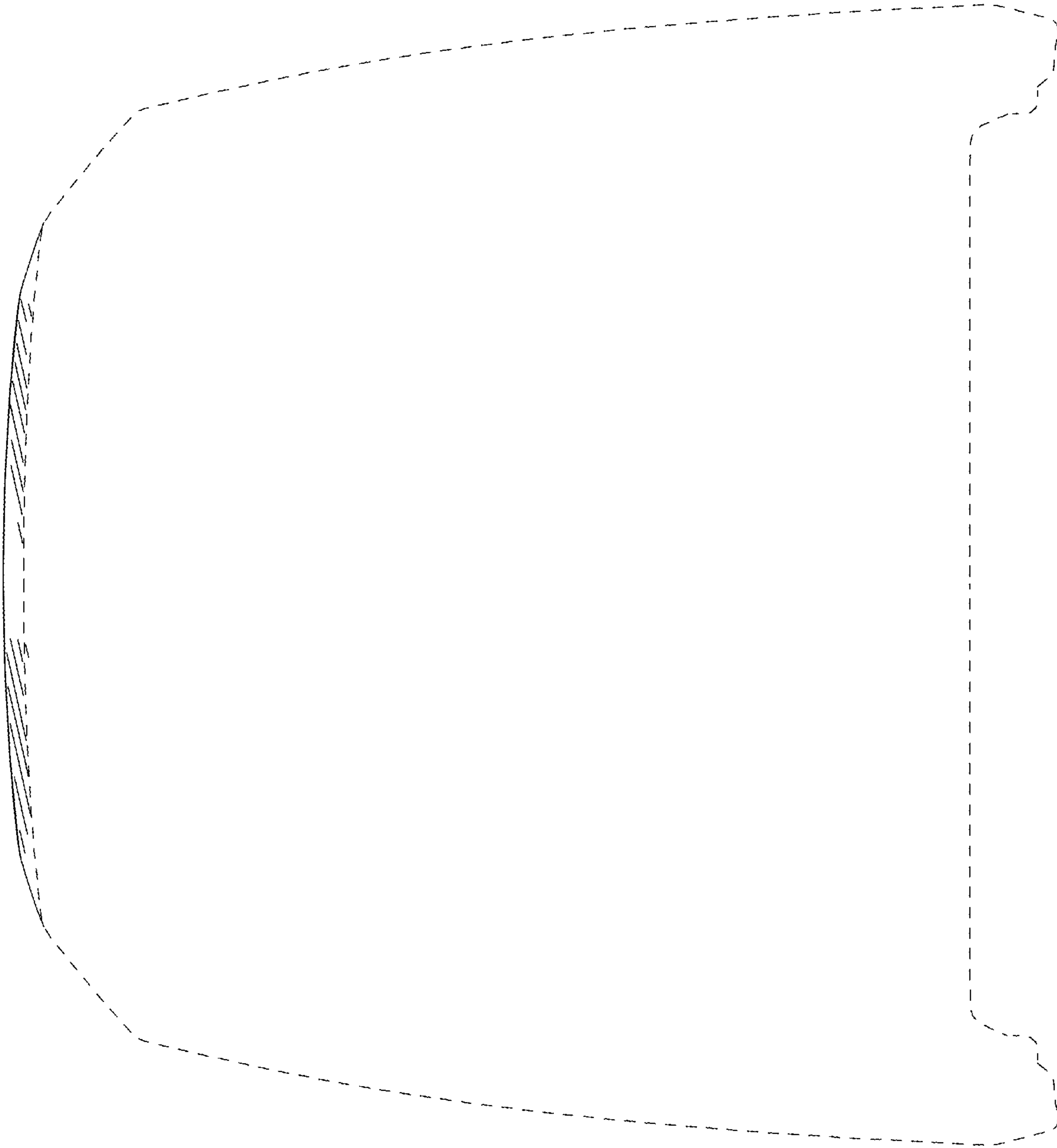


FIG. 5

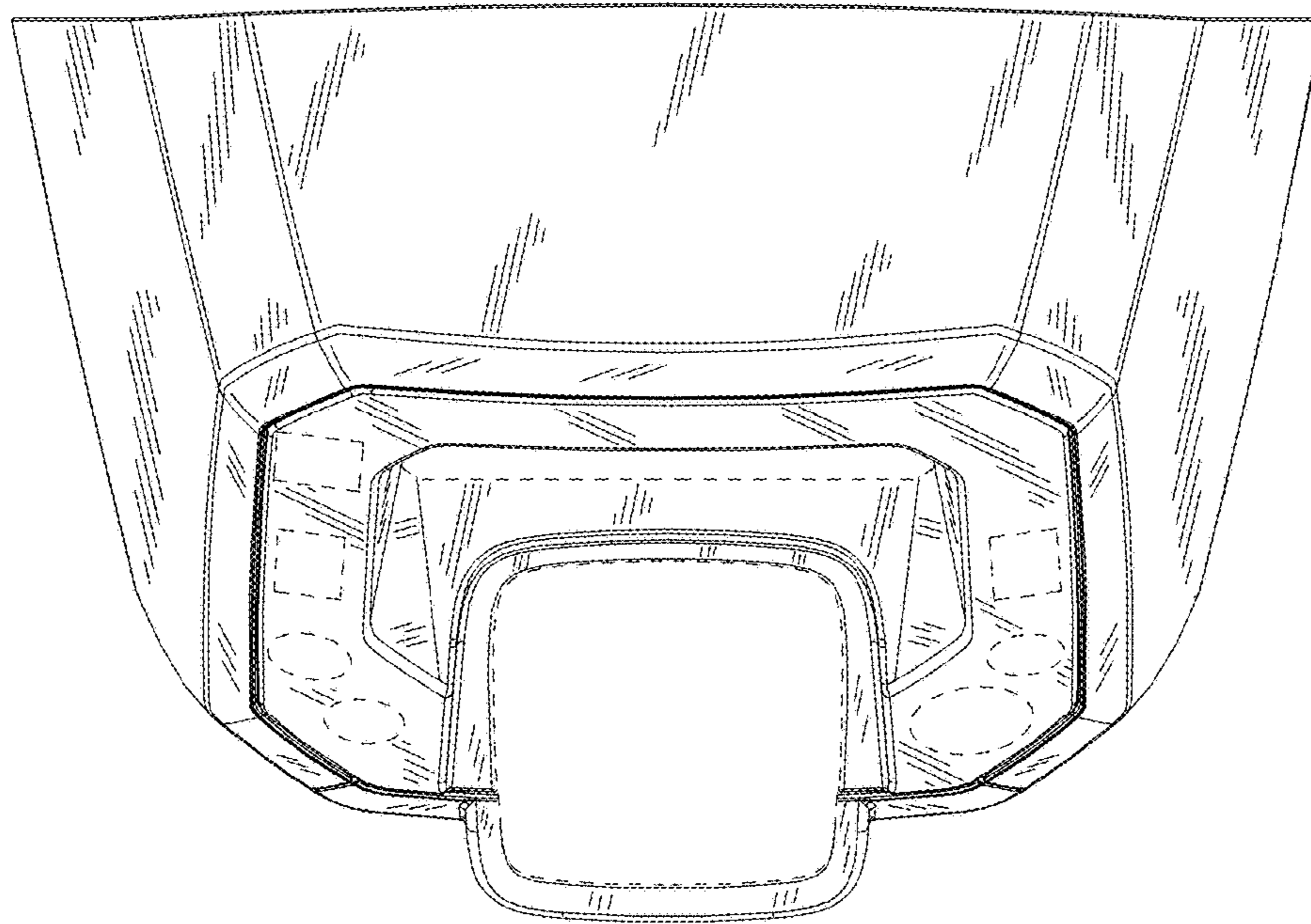


FIG. 6

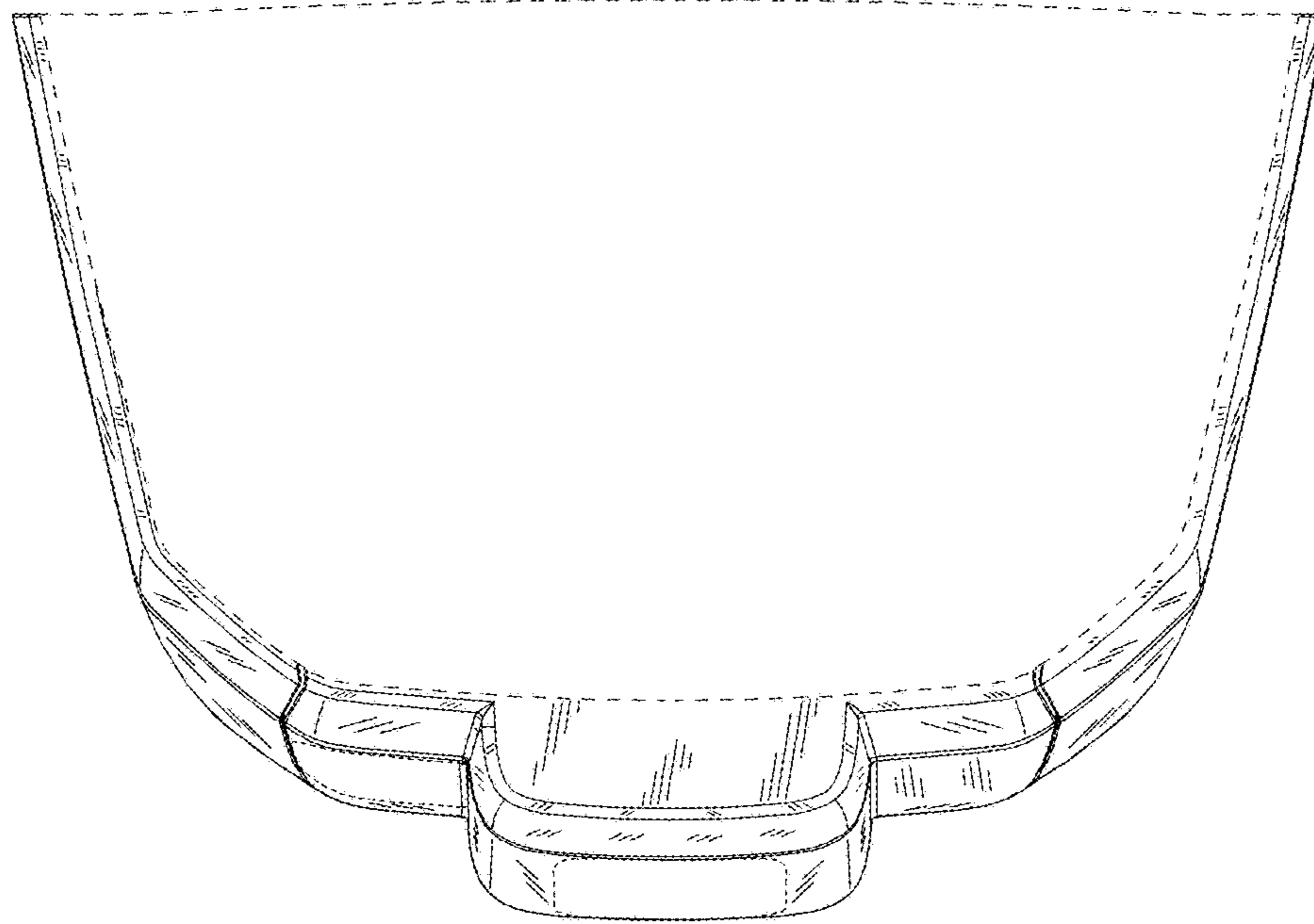


FIG. 7