



US00D852687S

(12) **United States Design Patent**
Nakagawa

(10) **Patent No.:** **US D852,687 S**
(45) **Date of Patent:** **** Jul. 2, 2019**

(54) **RADIATOR GRILL FOR AN AUTOMOBILE**

FOREIGN PATENT DOCUMENTS

(71) Applicant: **Nissan Motor Co., Ltd.**, Yokohama,
Kanagawa (JP)

CN 302542398 * 8/2013
JP D1471890 * 6/2013
RU 00089008 * 6/2014

(72) Inventor: **Shinichi Nakagawa**, Kanagawa (JP)

(73) Assignee: **Nissan Motor Co., Ltd.**, Yokohama
(JP)

(**) Term: **15 Years**

(21) Appl. No.: **29/628,912**

(22) Filed: **Dec. 8, 2017**

(30) **Foreign Application Priority Data**

Jun. 9, 2017 (JP) 2017-012411

(51) **LOC (11) Cl.** **12-16**

(52) **U.S. Cl.**
USPC **D12/163**

(58) **Field of Classification Search**

USPC D12/86, 90-92, 98, 163, 169, 196, 216
CPC .. B60R 19/52; B60R 2019/525; B60K 11/085
See application file for complete search history.

(56) **References Cited**

U.S. PATENT DOCUMENTS

D403,636 S * 1/1999 Meryman D12/169
D551,145 S * 9/2007 Canitano D12/196
D622,633 S * 8/2010 Nakamura D12/91
D628,939 S * 12/2010 Komuro D12/92
D718,196 S * 11/2014 Whang D12/171
D718,662 S * 12/2014 Ishizuka D12/92
D718,676 S * 12/2014 Ishizuka D12/169
D718,677 S * 12/2014 Whang D12/169
D811,272 S * 2/2018 Munakata D12/92
D811,940 S * 3/2018 Munakata D12/92
D830,231 S * 10/2018 Munakata D12/91

OTHER PUBLICATIONS

<https://www.infiniti.com/vehicles/qx50.html> Nov. 7, 2018 (Year: 2018).*

<http://2019carscomingout.com/2017/08/21/2019-infiniti-qx50-concept-review/> Posted Aug. 21, 2017 (Year: 2017).*

* cited by examiner

Primary Examiner — Leanne Was-Englehart

(57) **CLAIM**

The ornamental design for a radiator grill for an automobile, as shown and described.

DESCRIPTION

FIG. 1 is a front elevational view of a radiator grill for an automobile in accordance with my new design;

FIG. 2 is a top plan view thereof;

FIG. 3 is a bottom plan view thereof;

FIG. 4 is a left side elevational view thereof;

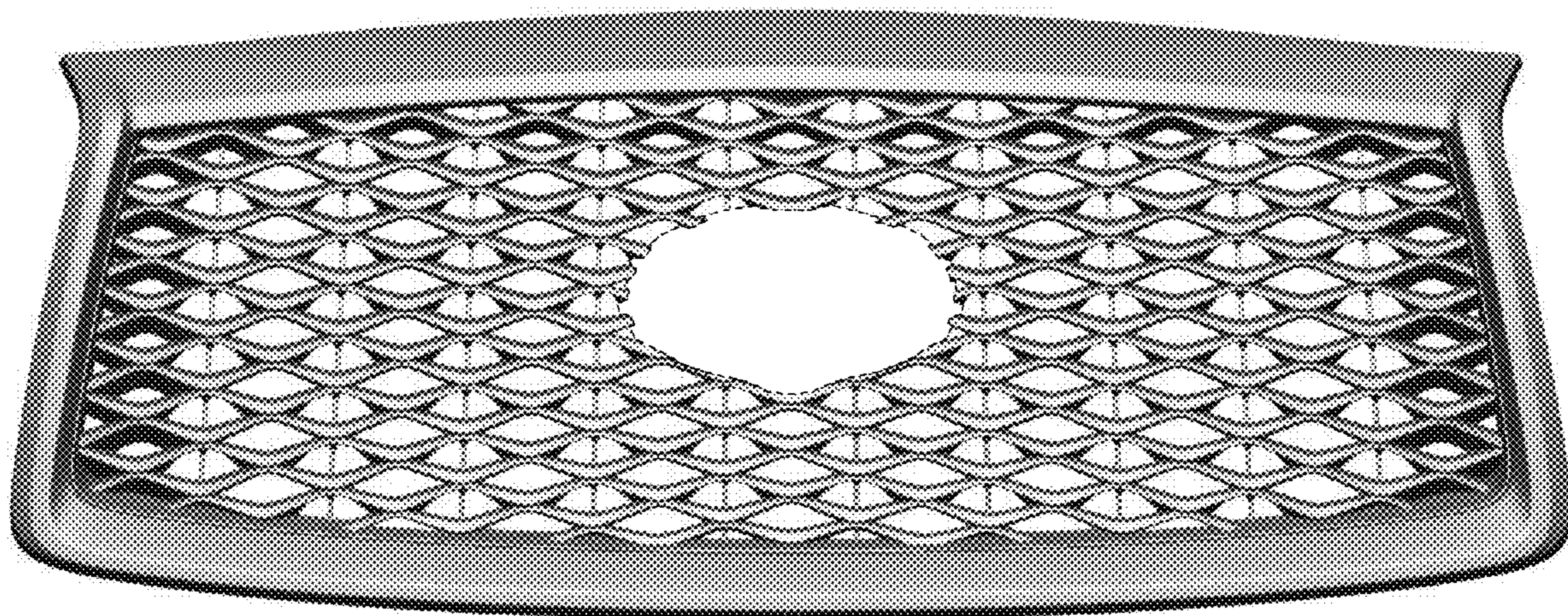
FIG. 5 is a right side elevational view thereof;

FIG. 6 is a front-left-bottom side perspective view thereof; and,

FIG. 7 is a front-right-top side perspective view thereof.

The broken line showing of the radiator grill is for purpose of illustrating environmental structure and forms no part of the claimed design. The rear view of the radiator grill forms no part of the claimed design.

1 Claim, 7 Drawing Sheets



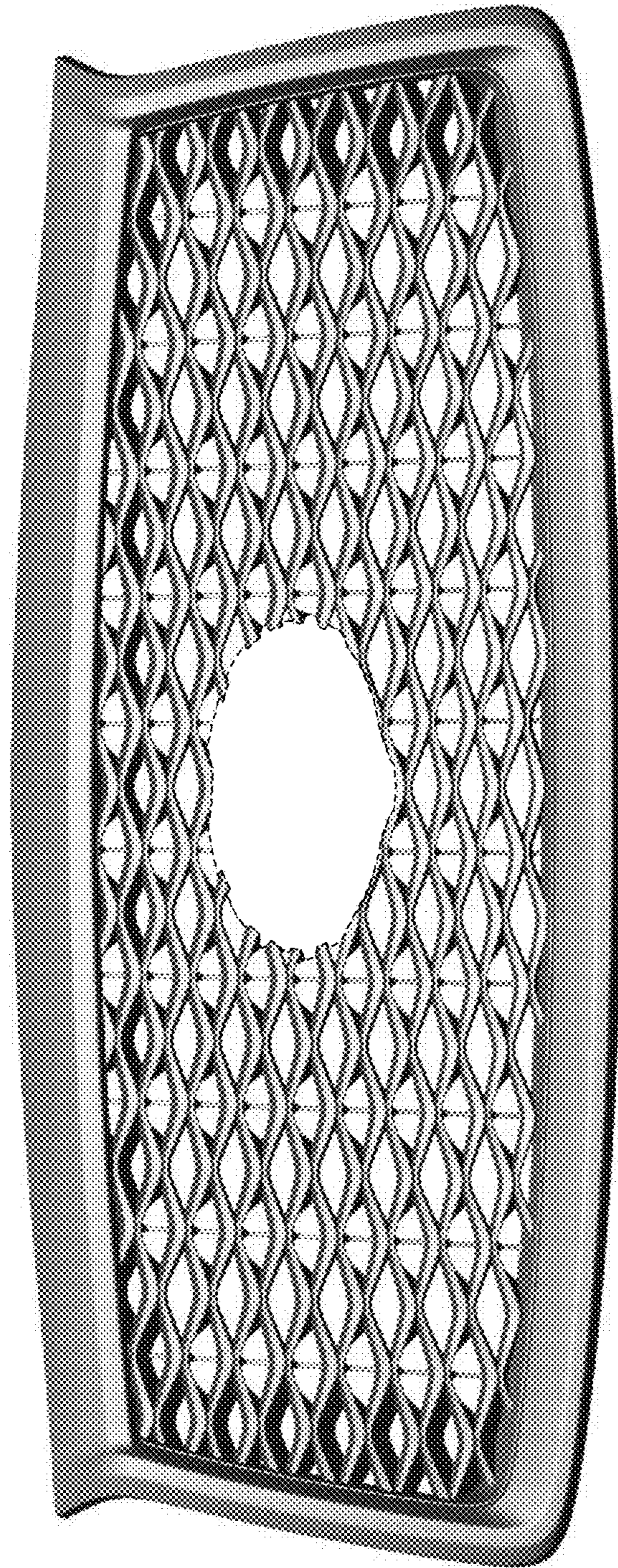


FIG. 1

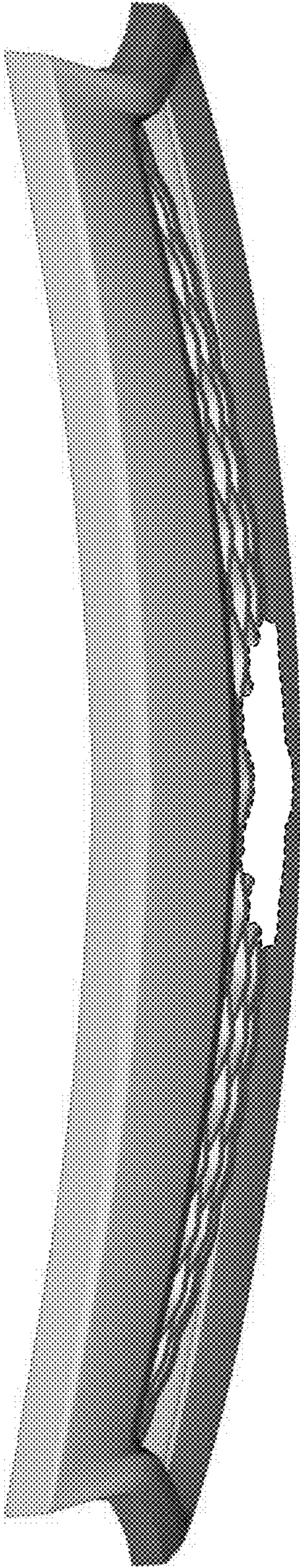


FIG. 2

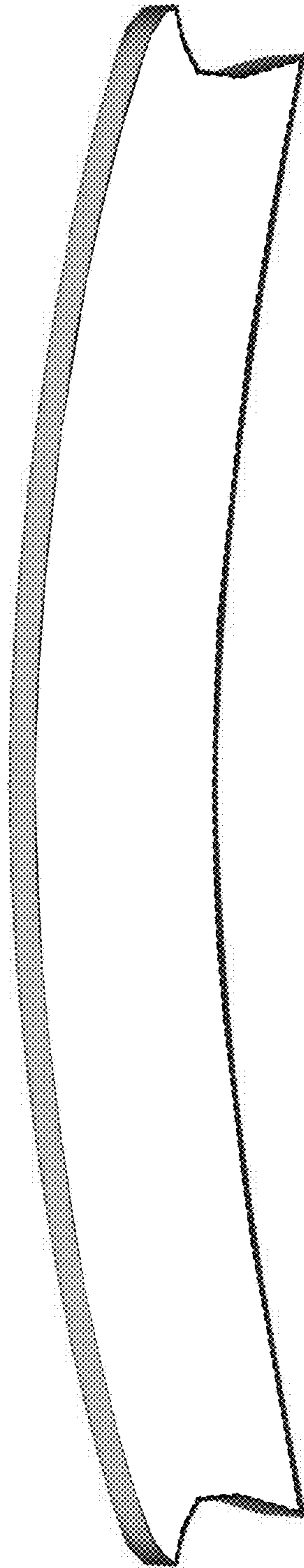


FIG. 3

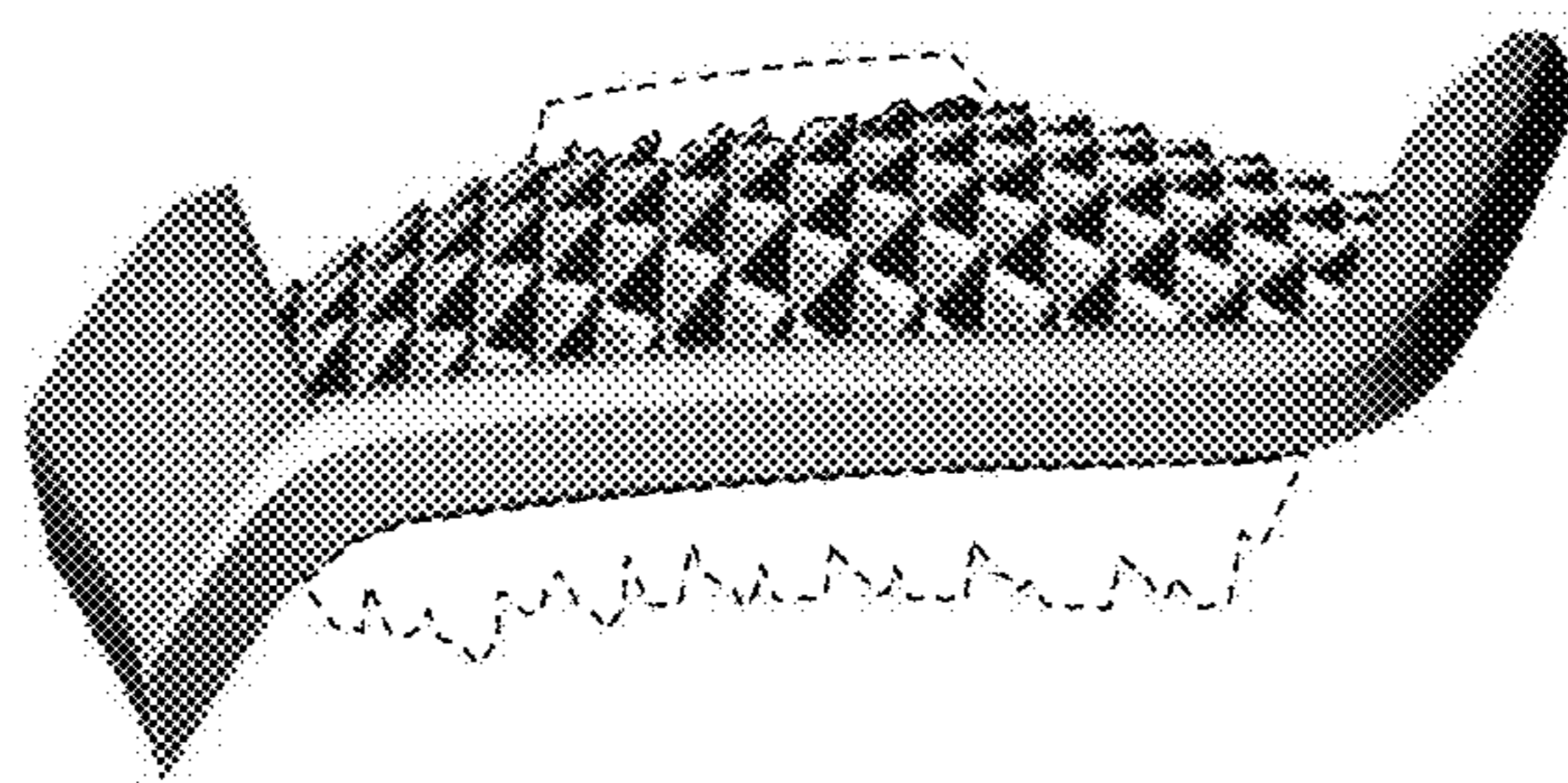


FIG. 4

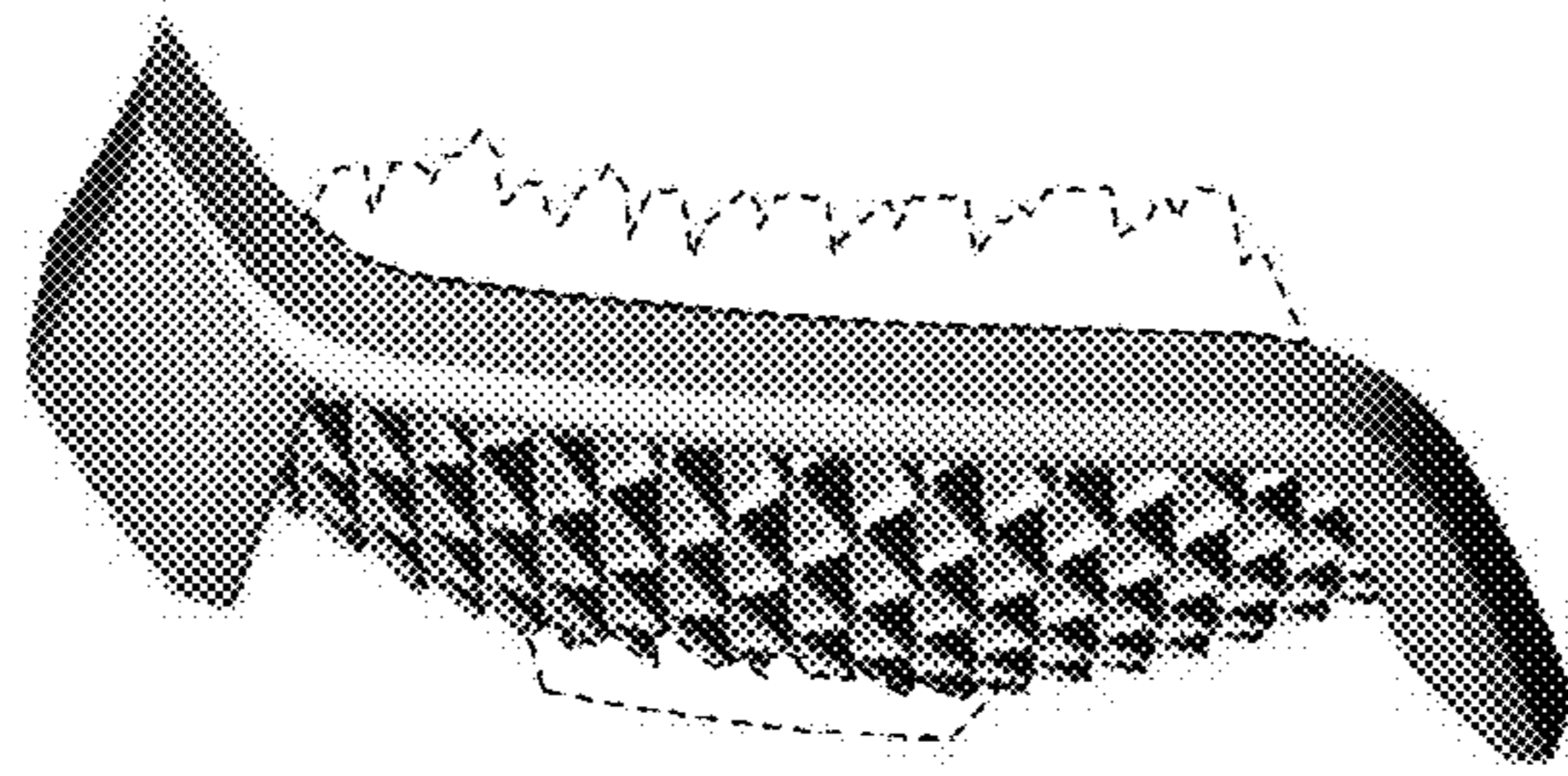


FIG. 5

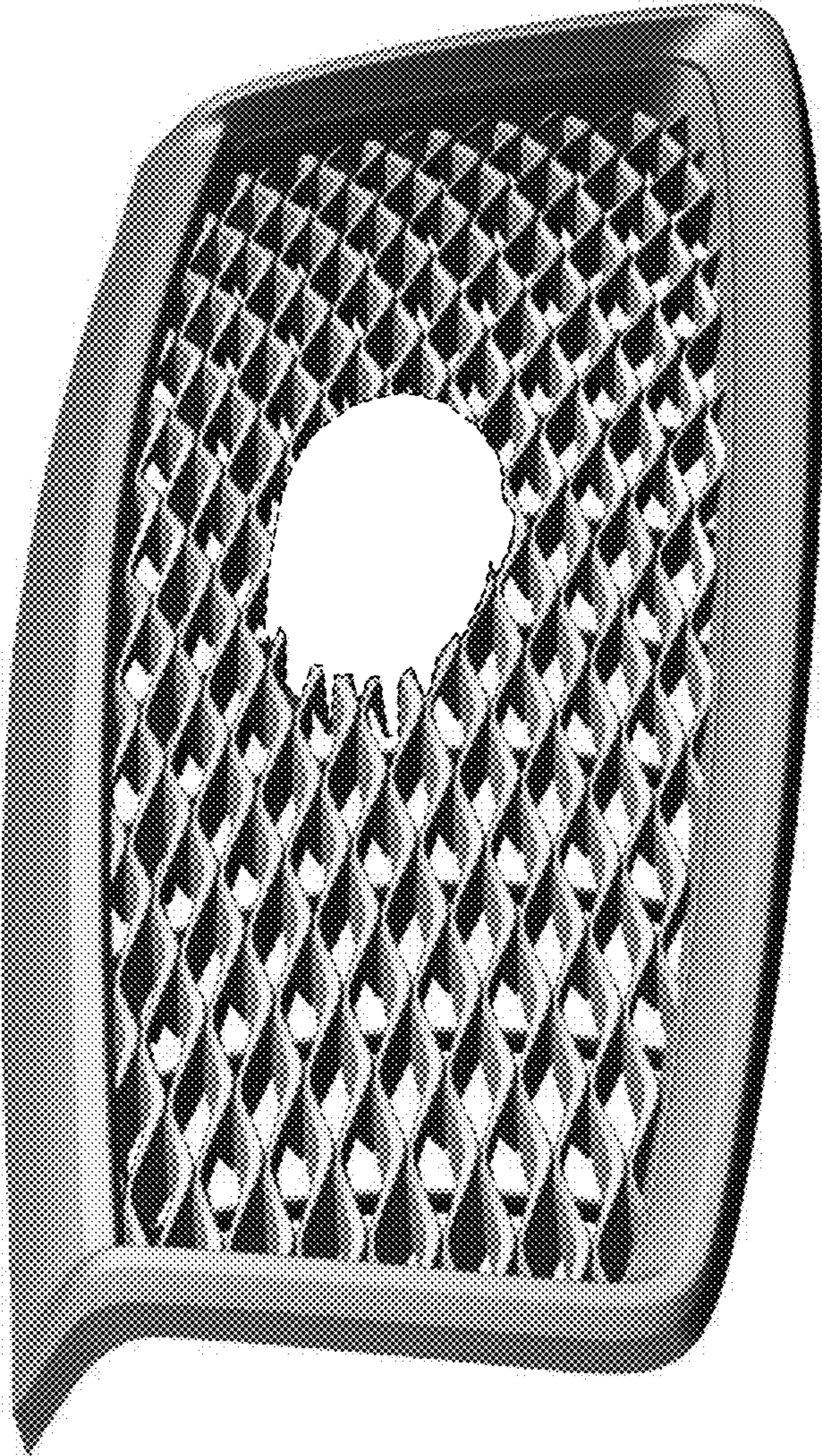


FIG. 6

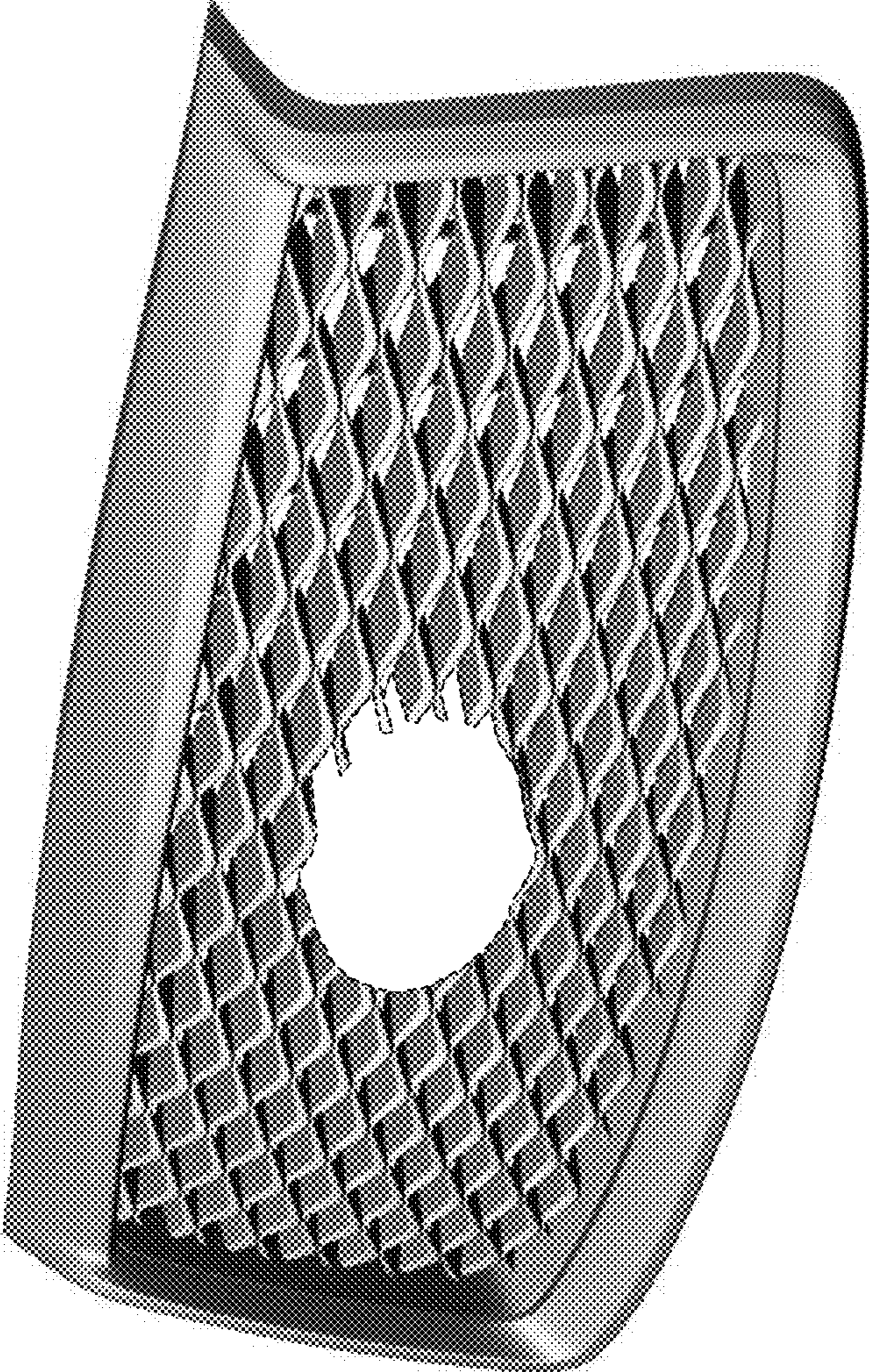


FIG. 7