

US00D852683S

(12) **United States Design Patent** (10) **Patent No.:** **US D852,683 S**
Holleis et al. (45) **Date of Patent:** **** Jul. 2, 2019**

(54) STROLLER FOR CHILDREN	D601,467 S * 10/2009 Karremans D12/129
(71) Applicant: CYBEX GMBH , Bayreuth (DE)	D643,343 S * 8/2011 Song D12/129
(72) Inventors: Ralf Holleis , Bayreuth (DE); Johannes Häuser , Bayreuth (DE)	D643,786 S * 8/2011 Barenbrug D12/129
(73) Assignee: CYBEX GMBH , Bayreuth (DE)	D671,040 S * 11/2012 Lin D12/129
(**) Term: 15 Years	D693,743 S * 11/2013 Slotteroy D12/129
	D699,159 S * 2/2014 Slotteroy D12/129
	D733,617 S * 7/2015 Angelfoss D12/129
	D737,733 S * 9/2015 Zhong D12/129
	D747,669 S * 1/2016 Cheng D12/129
	9,308,929 B1 * 4/2016 Dowd B62B 7/062
	2015/0375766 A1 * 12/2015 Taylor B62B 7/142
	280/647

(21) Appl. No.: **35/504,289**

(22) Filed: **Jul. 12, 2017**

(80) **Hague Agreement Data**

Int. Filing Date: **Jul. 12, 2017**

Int. Reg. No.: **DM/098268**

Int. Reg. Date: **Jul. 12, 2017**

Int. Reg. Pub. Date: **Jan. 12, 2018**

(51) **LOC (11) Cl.** **12-12**

(52) **U.S. Cl.**
USPC **D12/129**

(58) **Field of Classification Search**

USPC D12/128-130

CPC B62B 7/00; B62B 7/04; B62B 7/06; B62B 7/062; B62B 9/00; B62B 9/02; B62B 9/04; B62B 9/08; B62B 9/10; B62B 9/12; B62B 9/14; B62B 9/16; B62B 9/18; B62B 9/20; B62B 9/22; B62B 9/24; B62B 9/26

See application file for complete search history.

(56) **References Cited**

U.S. PATENT DOCUMENTS

D566,013 S * 4/2008 Wang D12/129

D572,175 S * 7/2008 Lai D12/129

* cited by examiner

Primary Examiner — Darlington Ly

(74) *Attorney, Agent, or Firm* — Boyle Fredrickson, S.C.

(57) **CLAIM**

The ornamental design for a stroller for children, as shown and described.

DESCRIPTION

1. Stroller for children

1.1 is a front, top and right side perspective view of the stroller for children showing our new design;

1.2 is a front elevation view thereof;

1.3 is a rear elevation view thereof;

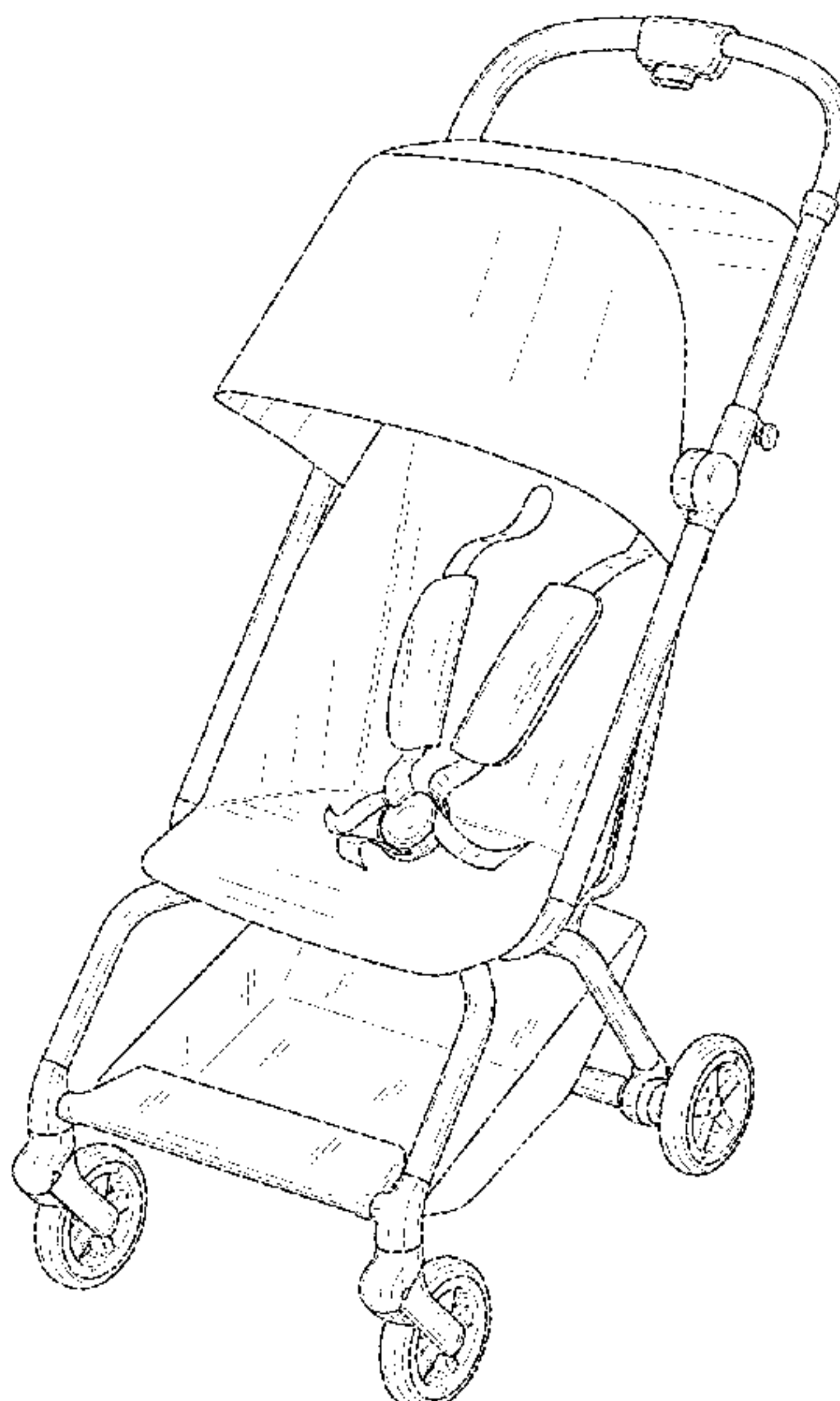
1.4 is a left side elevation view thereof;

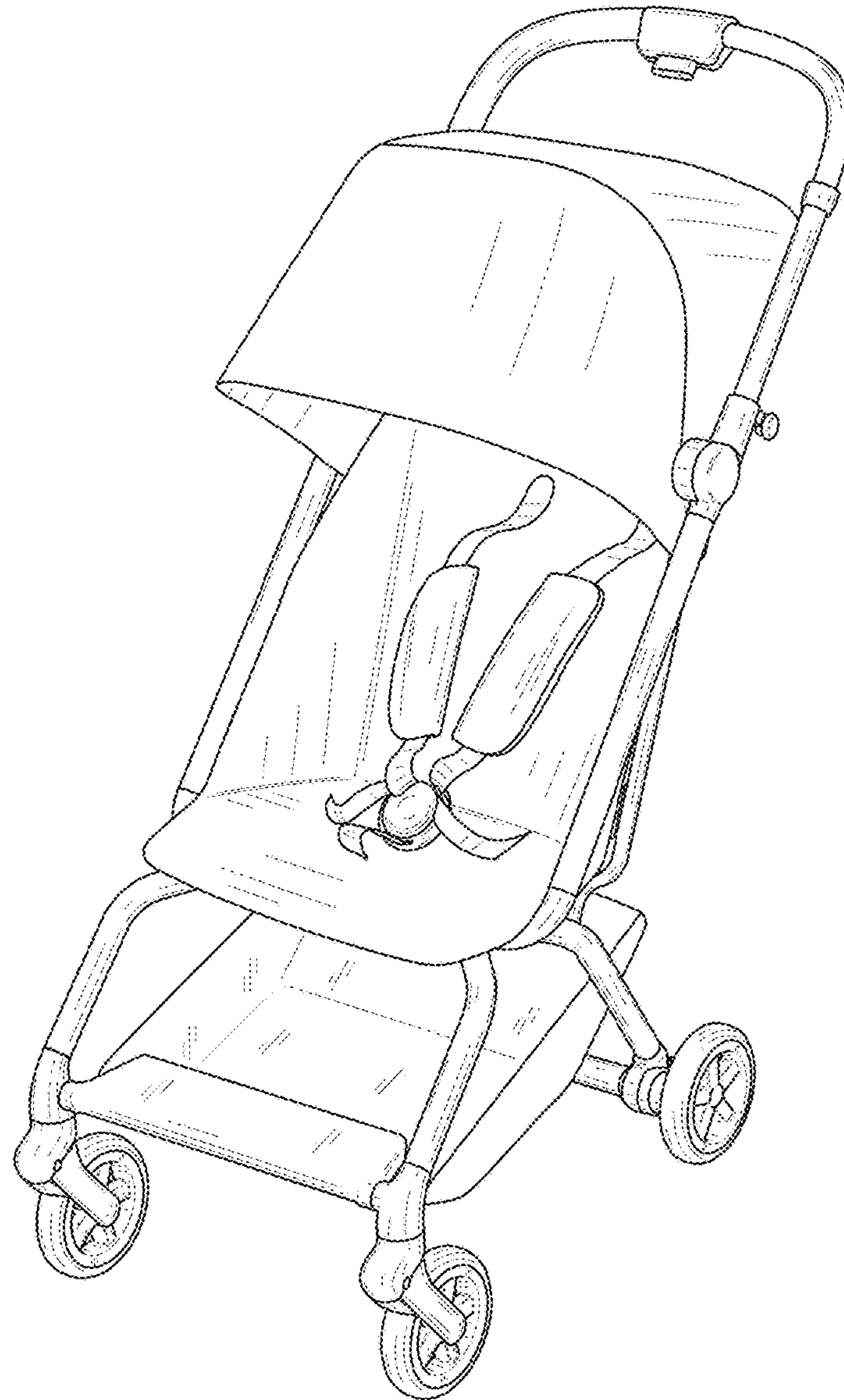
1.5 is a right side elevation view thereof;

1.6 is a top plan view thereof; and,

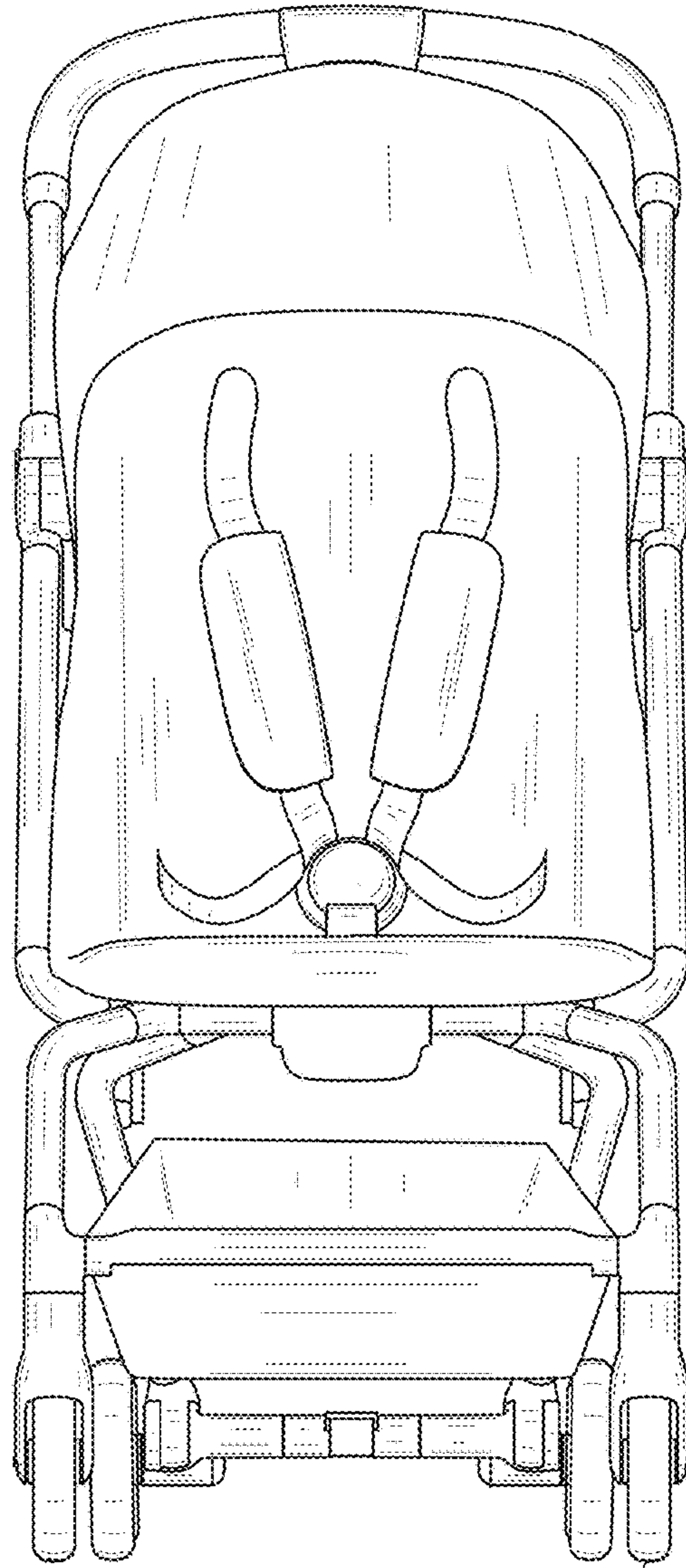
1.7 is a bottom plan view thereof.

1 Claim, 7 Drawing Sheets

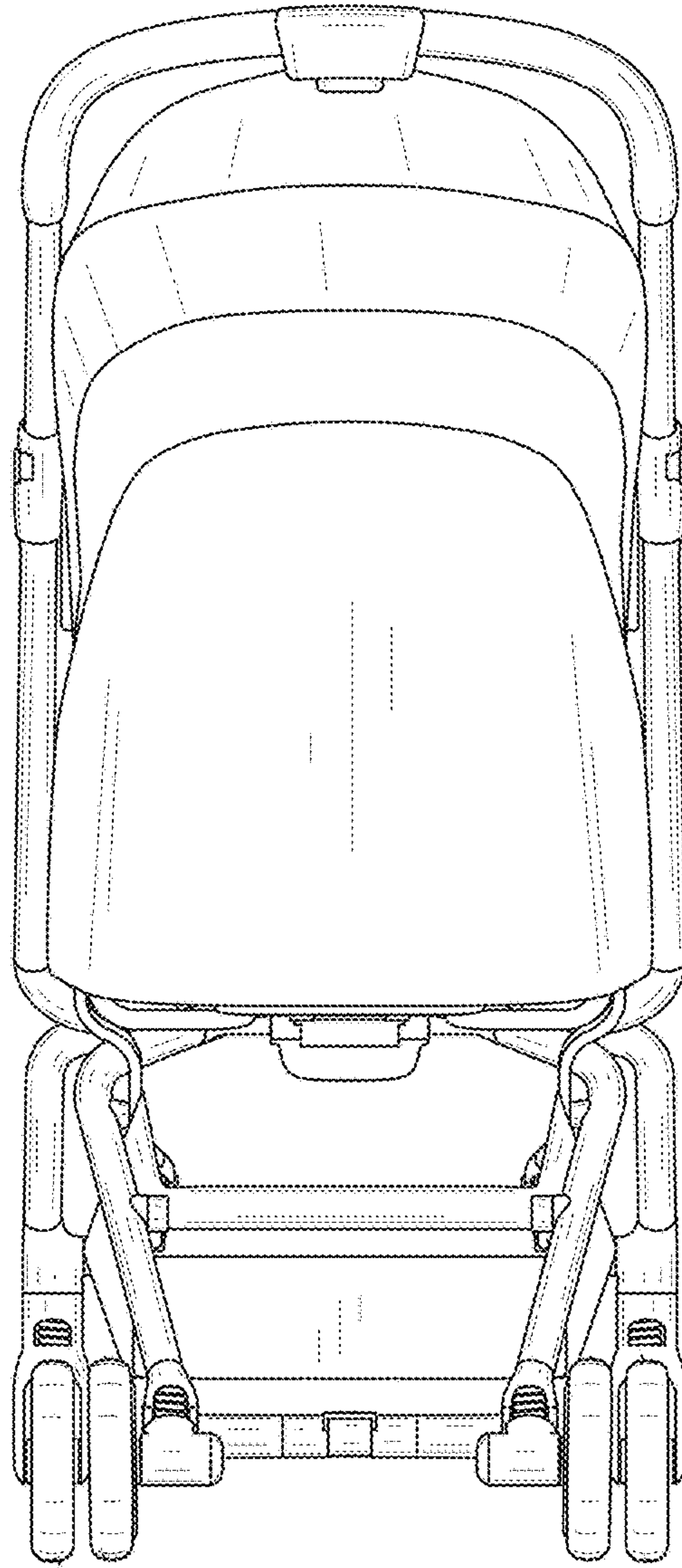




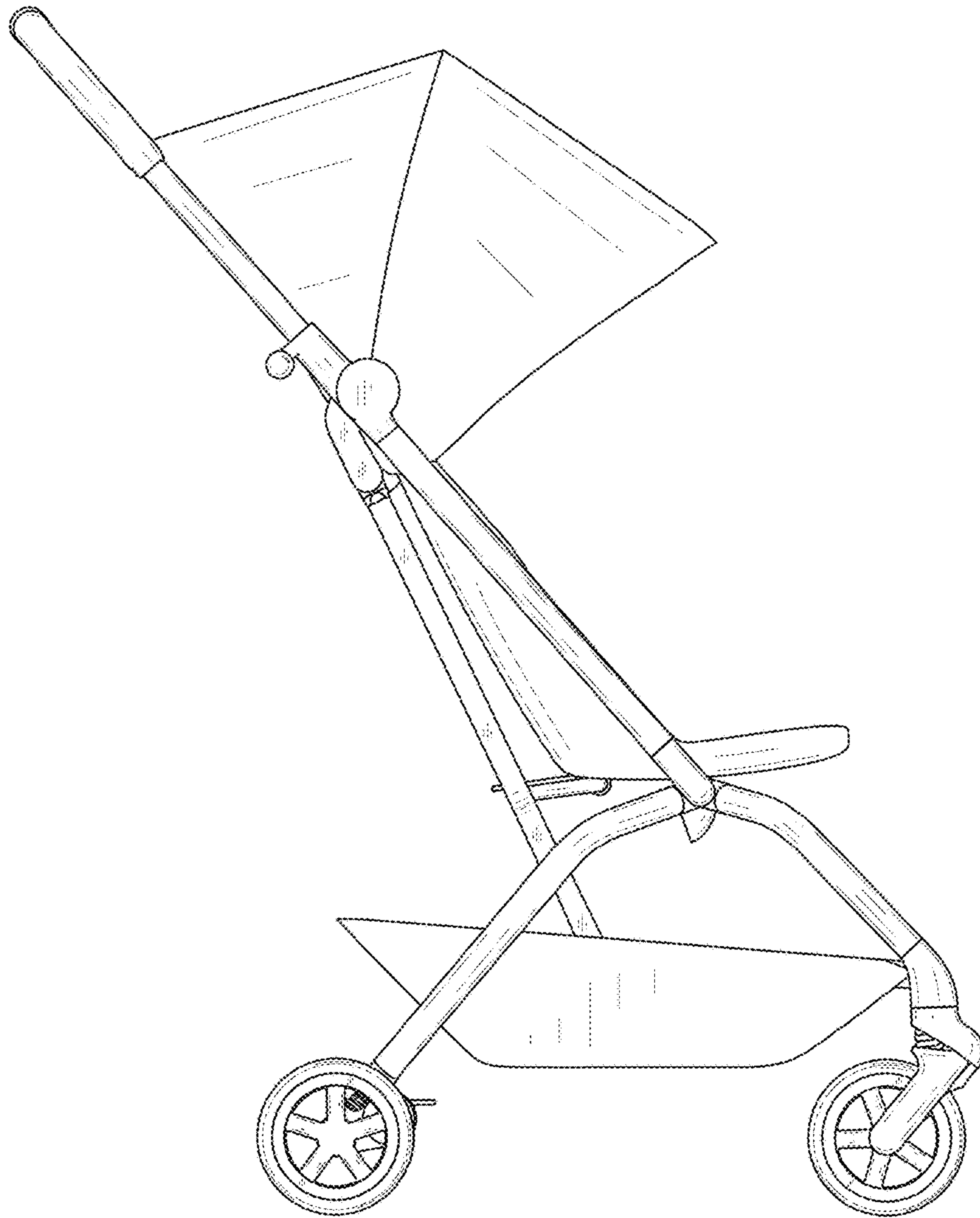
1.1



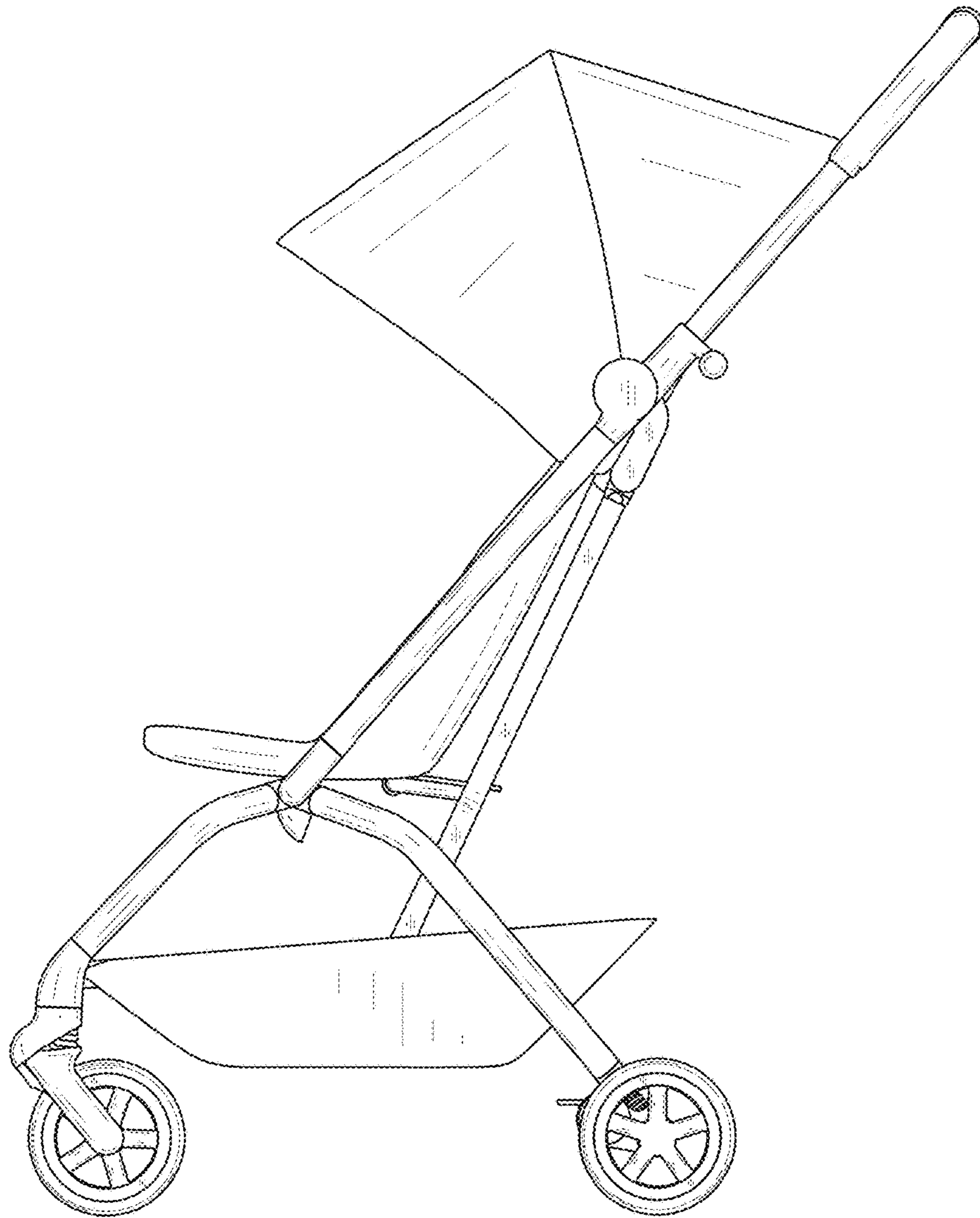
1.2



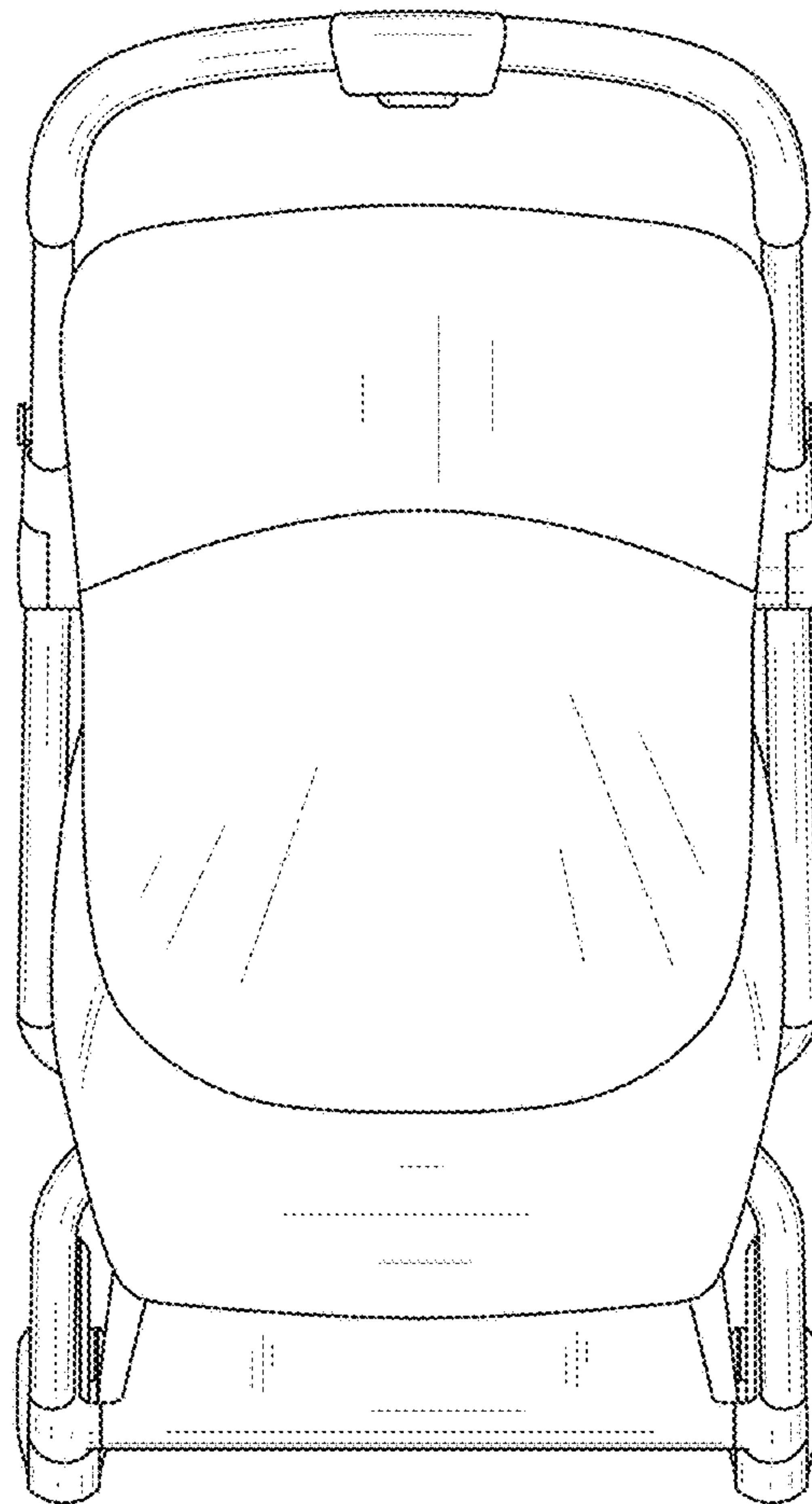
1.3



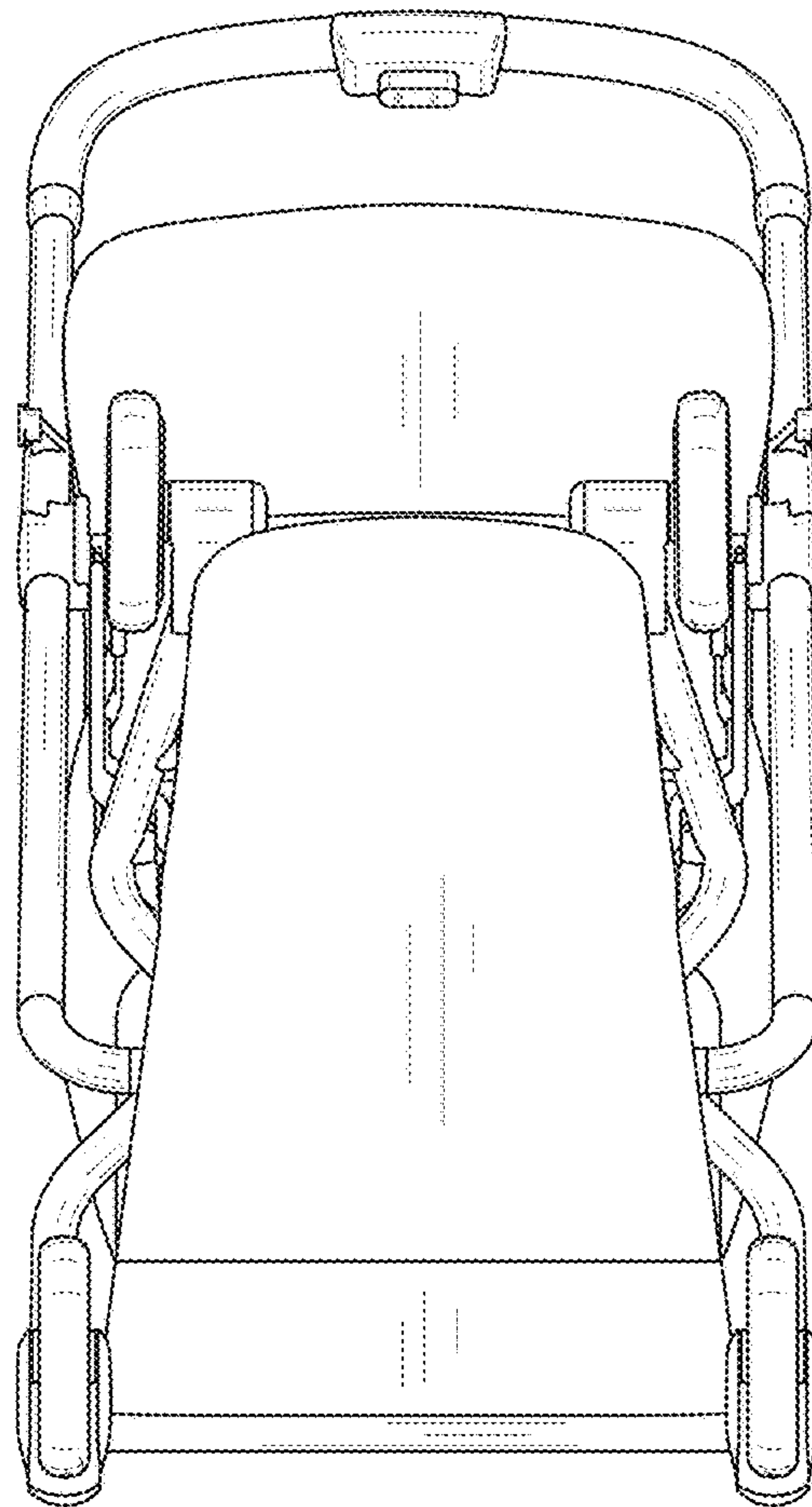
1.4



1.5



1.6



1.7