



US00D852682S

(12) **United States Design Patent** (10) **Patent No.:** **US D852,682 S**
Schroeder et al. (45) **Date of Patent:** **** Jul. 2, 2019**

(54) **FRONT PORTION OF A VEHICLE**

(71) Applicant: **HONDA MOTOR CO., LTD.**, Tokyo (JP)

(72) Inventors: **Anthony M. Schroeder**, Huntington Beach, CA (US); **Eric Y. Chin**, Irvine, CA (US)

(73) Assignee: **HONDA MOTOR CO., LTD.**, Tokyo (JP)

(**) Term: **15 Years**

(21) Appl. No.: **29/628,603**

(22) Filed: **Dec. 6, 2017**

(51) **LOC (11) Cl.** **12-11**

(52) **U.S. Cl.**
USPC **D12/126; D12/114**

(58) **Field of Classification Search**
USPC D12/110, 114, 126, 182, 184, 186
CPC ... B62J 17/00; B62J 17/02; B62J 17/04; B62J 23/00; B62K 11/00; B62K 11/02; B62K 11/04

See application file for complete search history.

(56) **References Cited**

U.S. PATENT DOCUMENTS

D576,081 S * 9/2008 Schroeder D12/126
D580,301 S * 11/2008 Schroeder D12/107

D583,713 S * 12/2008 Schroeder D12/107
D592,116 S * 5/2009 Schroeder D12/107
D595,187 S * 6/2009 Schroeder D12/107
D601,463 S * 10/2009 Paluszkiwicz D12/114
D772,107 S * 11/2016 Madden D12/114
D813,104 S * 3/2018 Madden D12/114
D837,114 S * 1/2019 Schroeder D12/190
2008/0025812 A1 * 1/2008 Peterson B62D 29/048 411/57.1

* cited by examiner

Primary Examiner — Darlington Ly

(74) *Attorney, Agent, or Firm* — Arent Fox LLP

(57) **CLAIM**

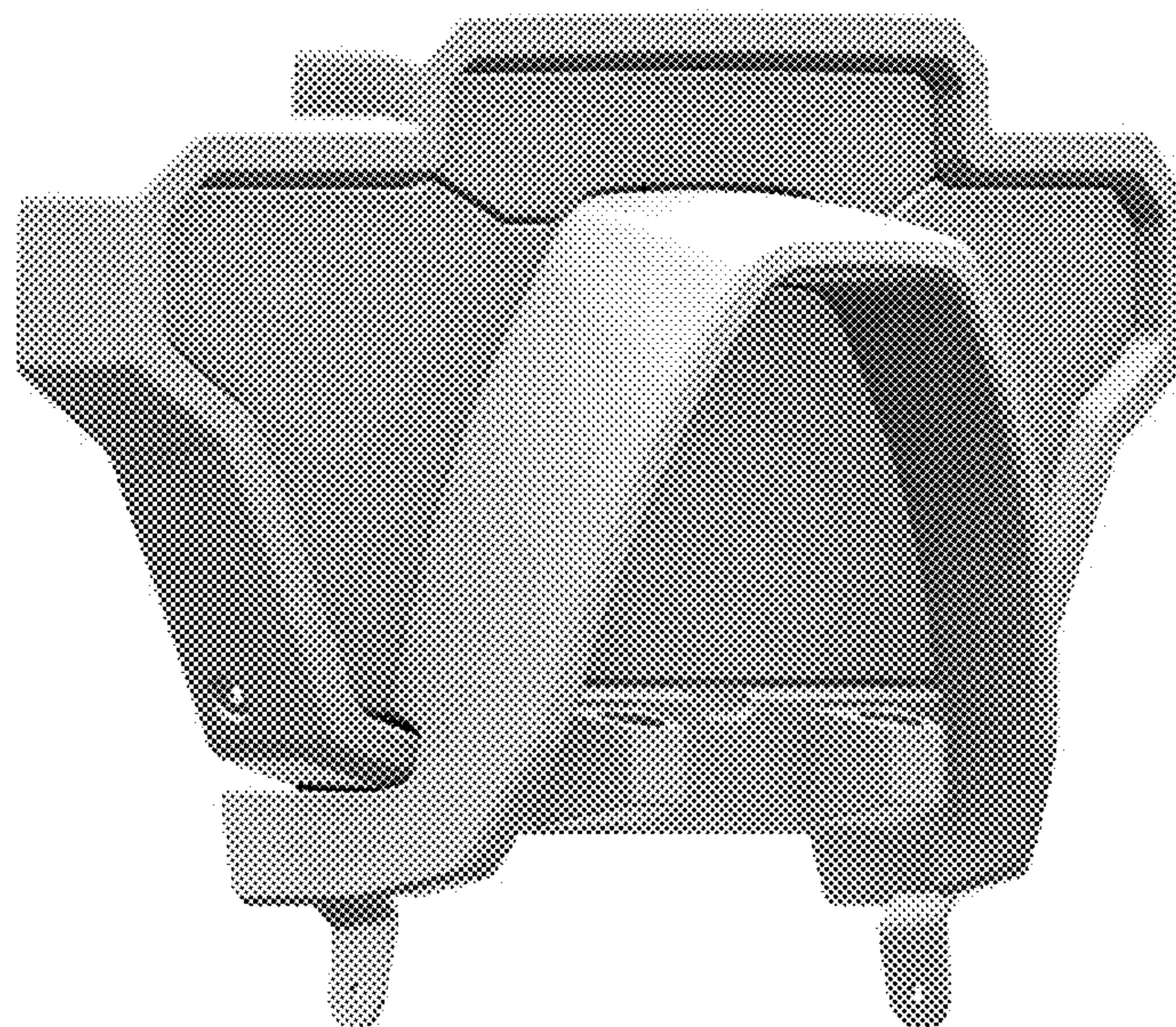
The ornamental design for a front portion of a vehicle, as shown and described.

DESCRIPTION

FIG. 1 is a front and left side perspective view of a front portion of a vehicle showing our new design; FIG. 2 is a front elevation view thereof; FIG. 3 is a left side elevation view thereof; FIG. 4 is a right side elevation view thereof; FIG. 5 is a bottom plan view thereof; and, FIG. 6 is a top plan view thereof.

The back of the front portion of a vehicle forms no part of the claimed design.

1 Claim, 6 Drawing Sheets



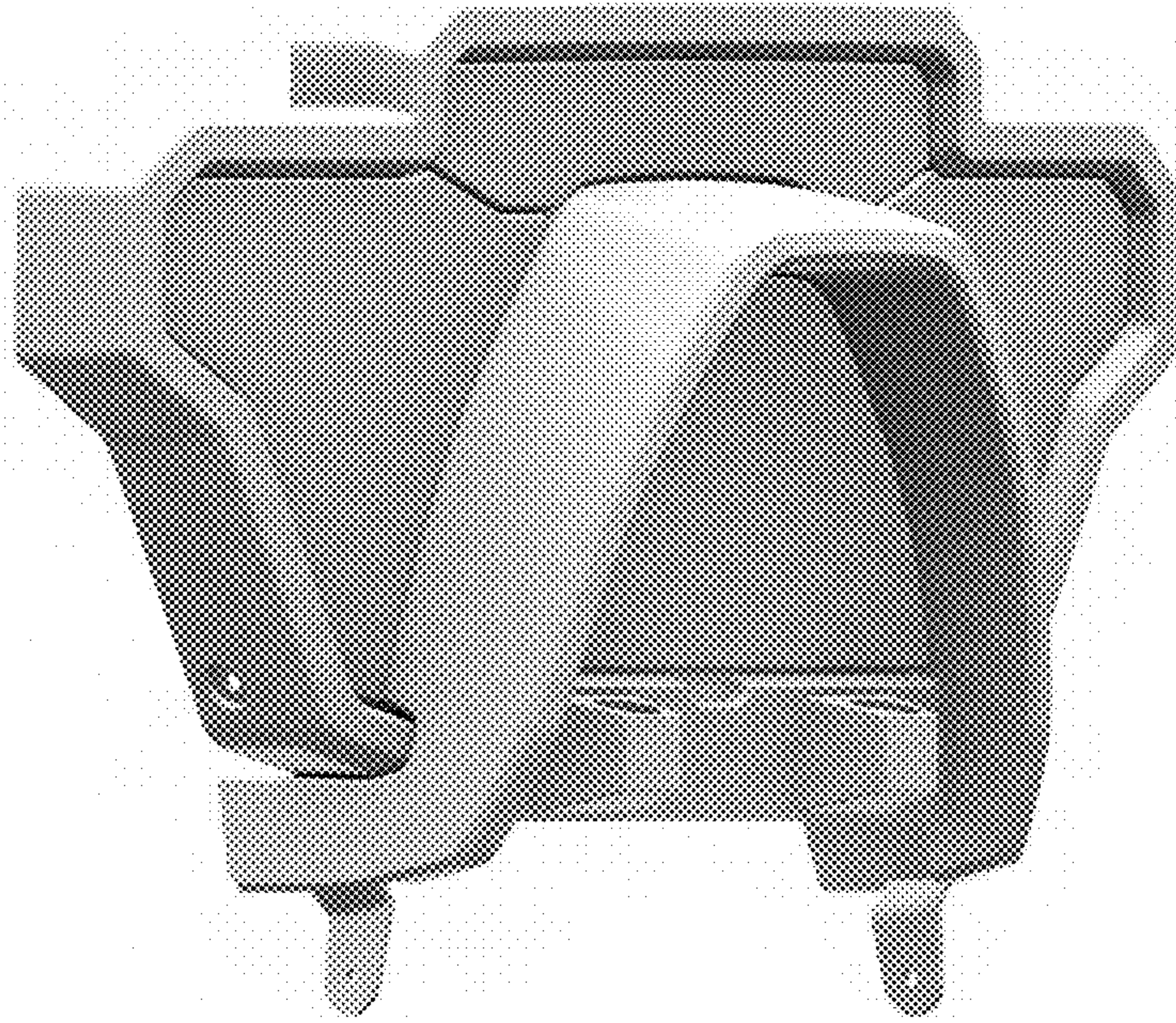


FIG. 1

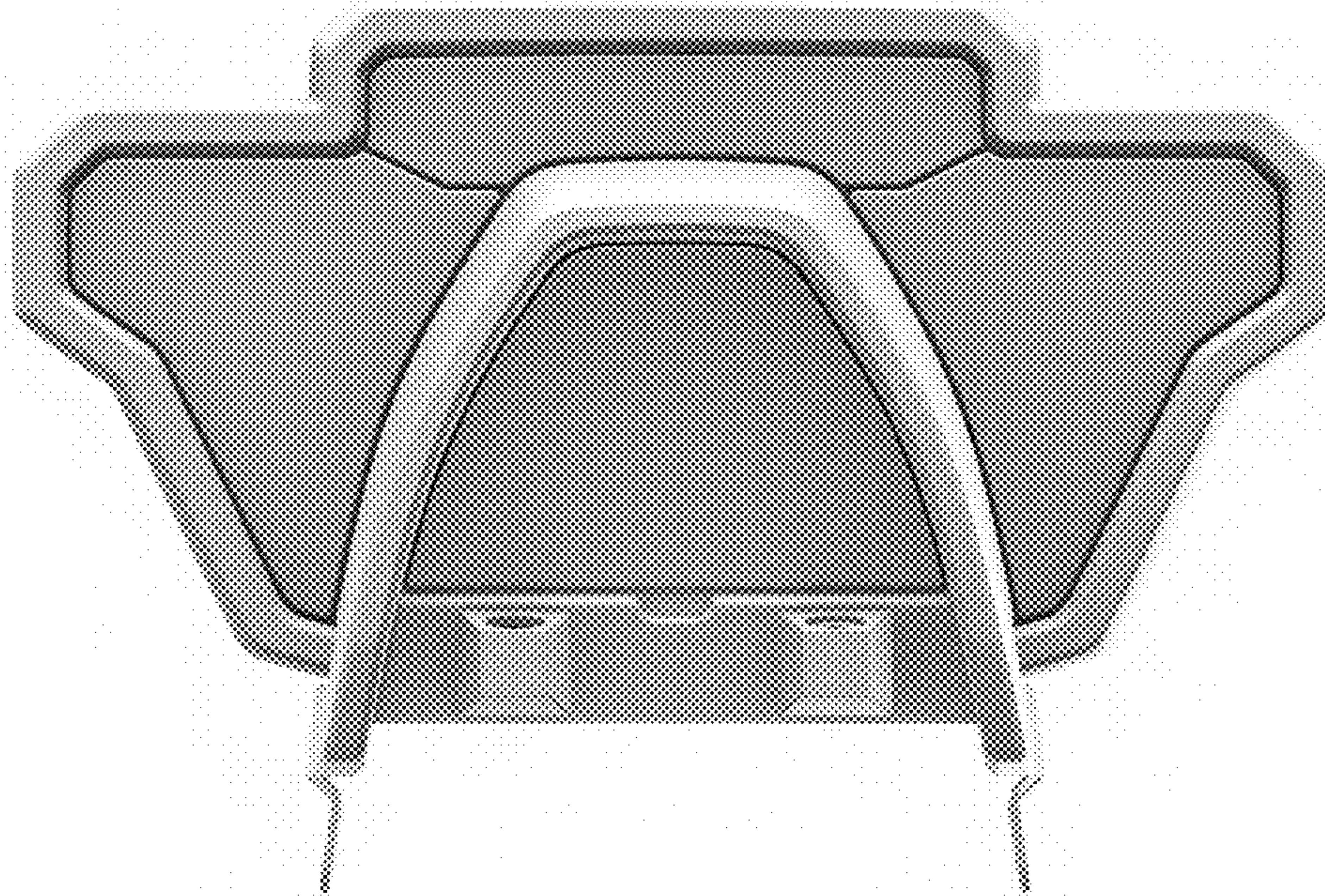


FIG. 2

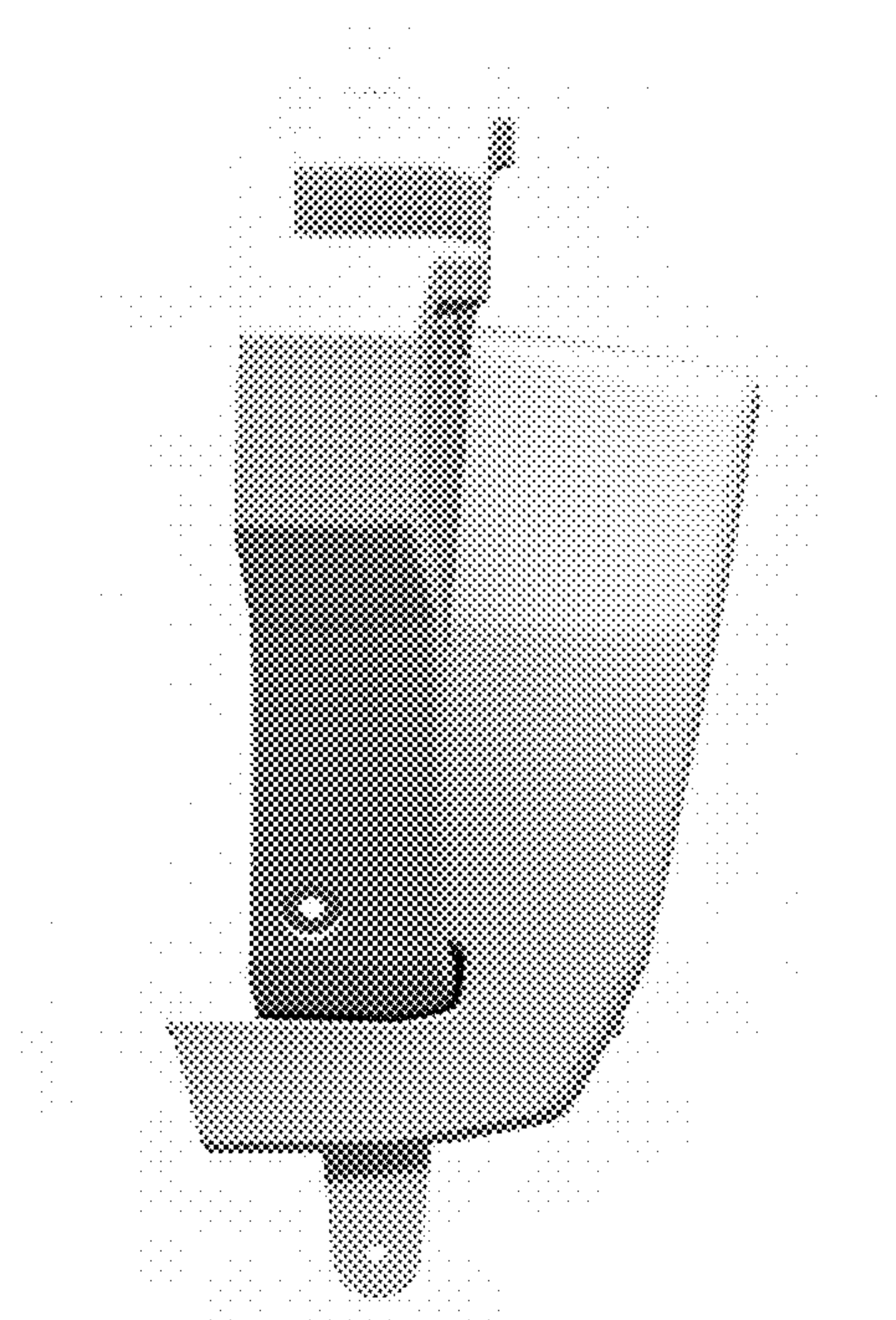


FIG. 3

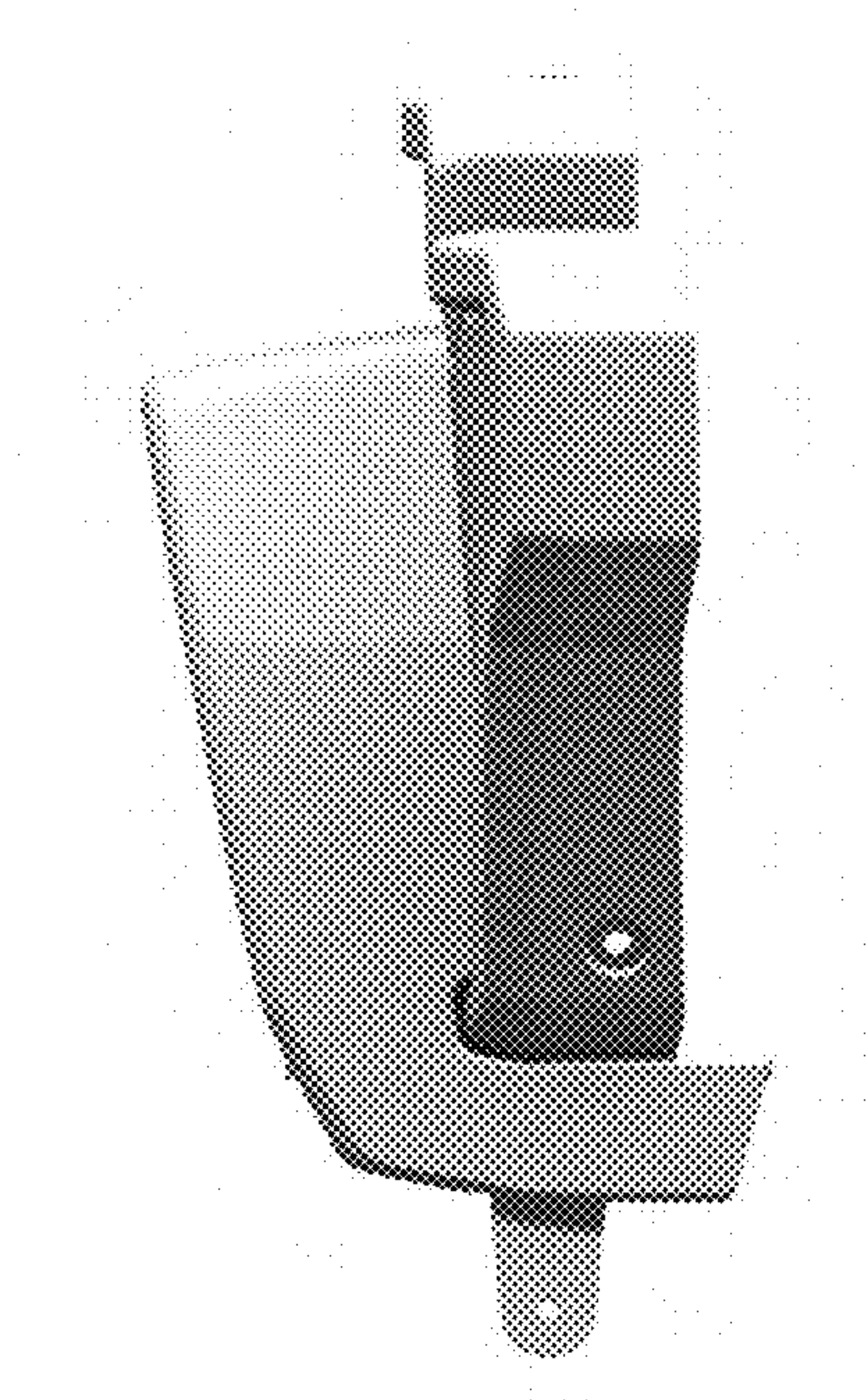


FIG. 4

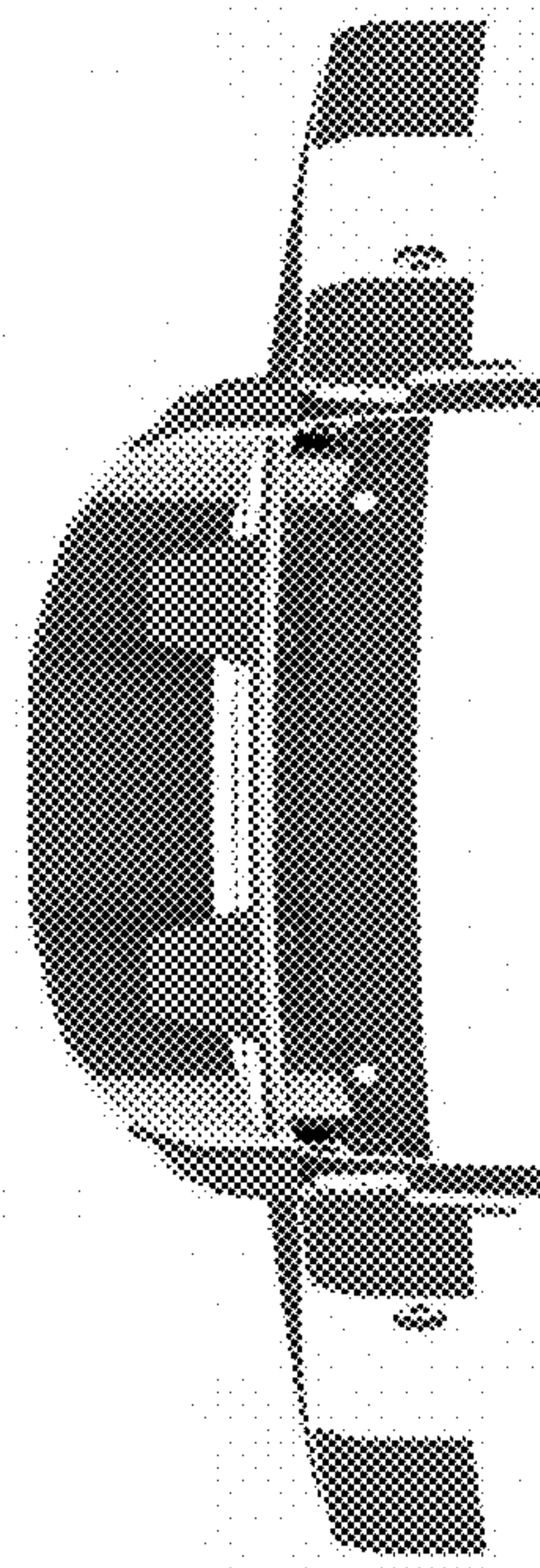


FIG. 5

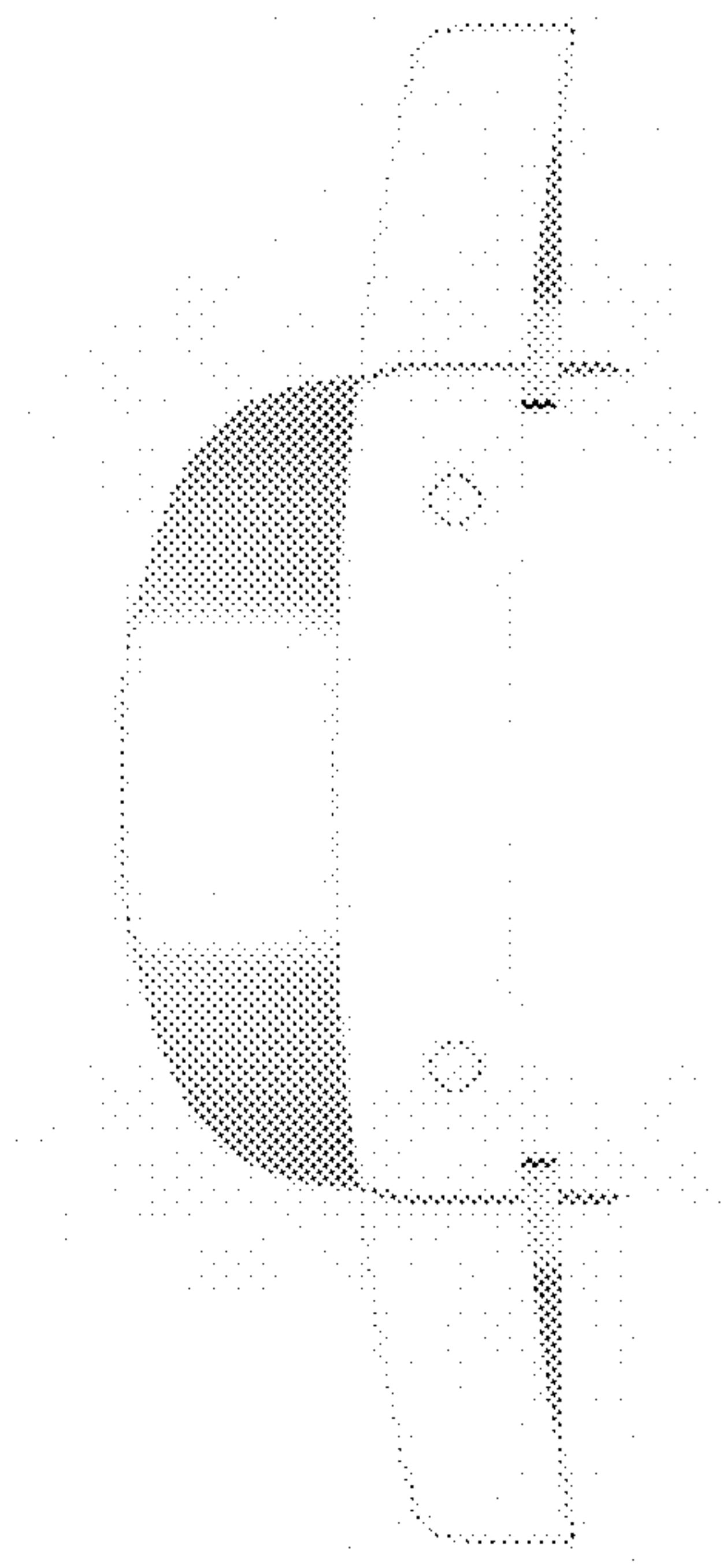


FIG. 6