



US00D852681S

(12) **United States Design Patent**  
**Peters et al.**

(10) **Patent No.:** **US D852,681 S**  
(45) **Date of Patent:** **\*\* Jul. 2, 2019**

(54) **MIRROR MOUNT**

FOREIGN PATENT DOCUMENTS

(71) Applicant: **ANNEX PRODUCTS PTY. LTD.,**  
Pahran (AU)

CN 203809437 U 9/2014  
CN 205001297 U 9/2014

(72) Inventors: **Christopher Peters,** Pahran (AU);  
**Leigh Ryan,** Sandringham (AU)

OTHER PUBLICATIONS

(73) Assignee: **ANNEX PRODUCTS PTY. LTD.,**  
Pahran (AU)

iPad Case and Pivot stand, Studio Proper, accessed on-line at:  
[www.studioproper.com/products/pivot-stand](http://www.studioproper.com/products/pivot-stand) (available prior to filing of the present application).

(\*\*) Term: **15 Years**

(Continued)

(21) Appl. No.: **29/648,641**

*Primary Examiner* — Michelle E. Wilson

(22) Filed: **May 23, 2018**

*Assistant Examiner* — Clese Moore, Jr.

(51) **LOC (11) Cl.** ..... **12-11**

(74) *Attorney, Agent, or Firm* — Barnes & Thornburg LLP

(52) **U.S. Cl.**

USPC ..... **D12/114**

(58) **Field of Classification Search**

USPC ..... D12/114, 111, 178, 400, 415, 223;  
D14/432, 443, 447

CPC .... B62M 6/45; B62M 6/50; B62J 2099/0013;  
B62J 2099/002; B62J 2099/004; B62J

2099/0026; B62J 2099/0033; B62J 11/00

See application file for complete search history.

(57) **CLAIM**

We claim the ornamental design for a mirror mount, as shown and described.

**DESCRIPTION**

FIG. 1 is a front perspective view of a mirror mount in accordance with our new design;

FIG. 2 is a rear perspective view of the mirror mount of FIG. 1;

FIG. 3 is a front elevation view of the mirror mount of FIG. 1;

FIG. 4 is a rear elevation view of the mirror mount of FIG. 1;

FIG. 5 is a right-side elevation view of the mirror mount of FIG. 1;

FIG. 6 is a left-side elevation view of the mirror mount of FIG. 1;

FIG. 7 is a top plan view of the mirror mount of FIG. 1; and,

FIG. 8 is a bottom plan view of the mirror mount of FIG. 1. The broken lines depict portions of the mirror mount that form no part of the claimed design.

(56) **References Cited**

U.S. PATENT DOCUMENTS

D305,298 S \* 1/1990 De Langie ..... D12/191  
5,332,183 A \* 7/1994 Kagayama ..... B62J 6/00  
224/420

D370,193 S \* 5/1996 Shull ..... D12/114

D371,950 S \* 7/1996 Ressegger ..... D8/323

D436,898 S \* 1/2001 Okada ..... D12/114

7,077,302 B2 \* 7/2006 Chuang ..... B62J 11/00  
224/271

D553,485 S \* 10/2007 Hall ..... D8/396

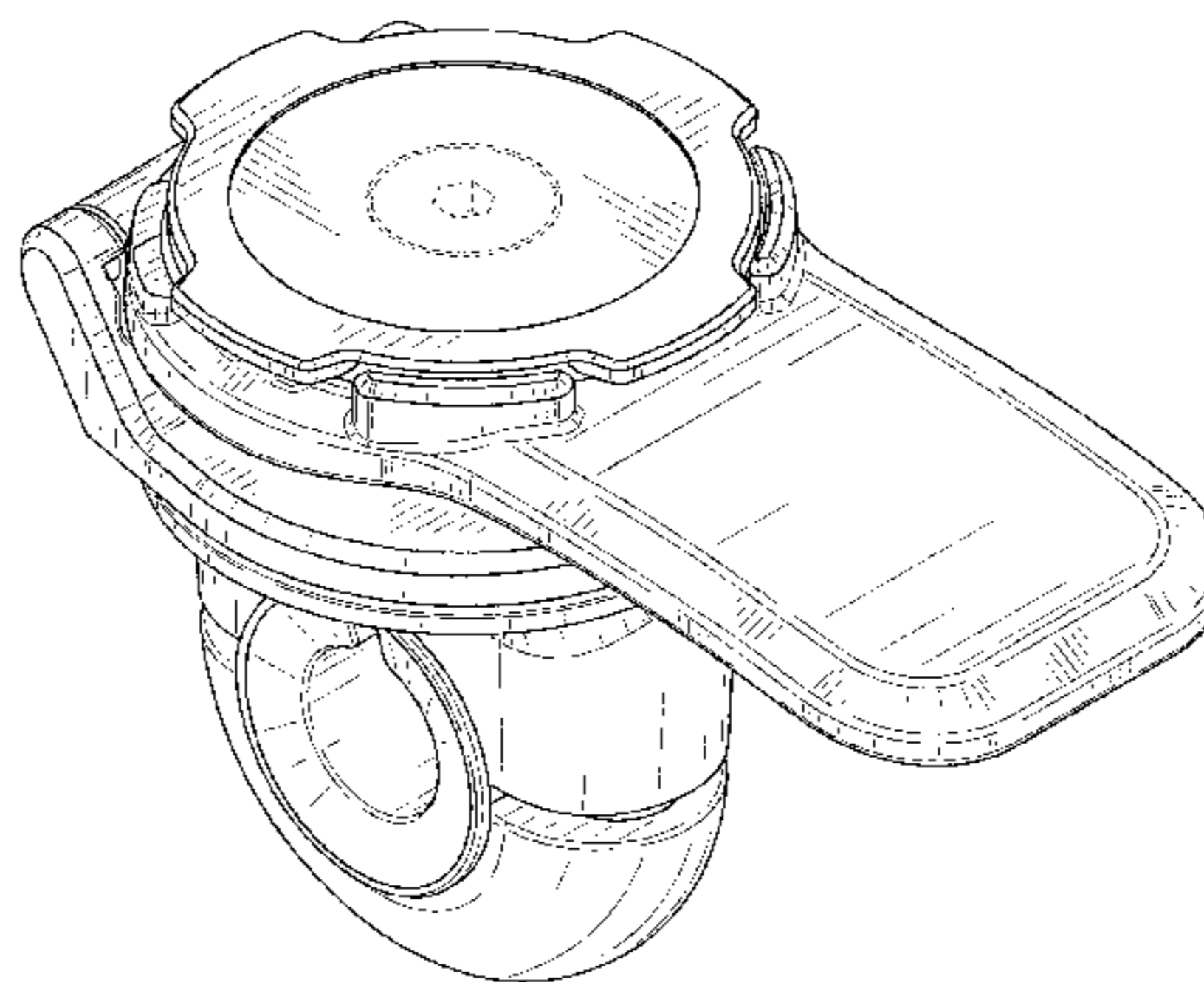
D647,434 S \* 10/2011 Chambers ..... B62J 11/00  
D12/114

D652,779 S \* 1/2012 Richter ..... D12/223

D653,190 S \* 1/2012 Richter ..... D12/223

(Continued)

**1 Claim, 8 Drawing Sheets**



(56)

**References Cited**

U.S. PATENT DOCUMENTS

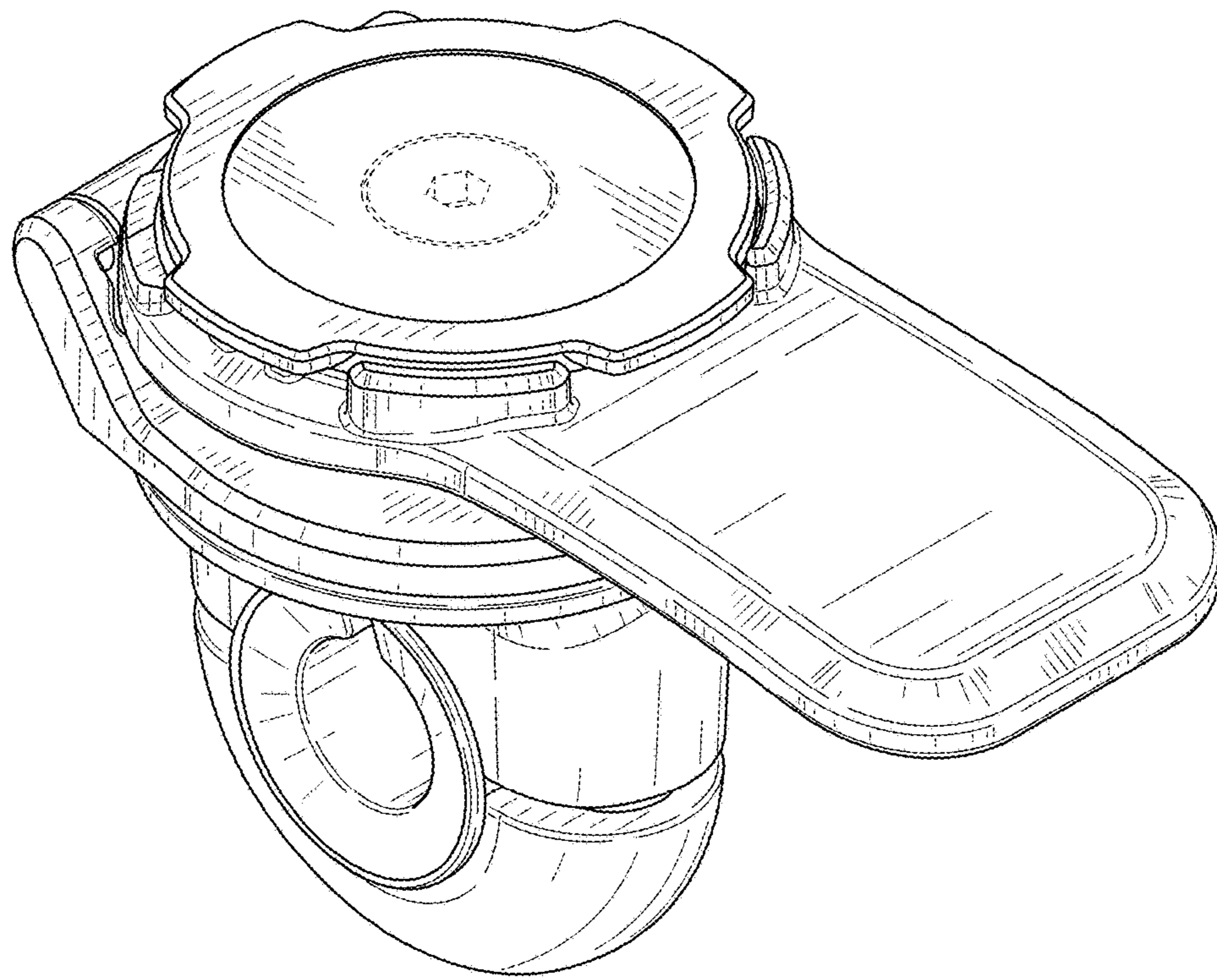
D685,687 S *	7/2013	Richter .....	D12/114
D696,259 S *	12/2013	Howarth .....	D14/447
D704,199 S *	5/2014	Byun .....	D14/447
D715,790 S *	10/2014	Conomos .....	D14/253
D719,490 S *	12/2014	Hoff .....	D12/114
9,243,739 B2	1/2016	Peters	
D751,934 S *	3/2016	Rodda .....	D10/103
D765,549 S *	9/2016	Khodapanah .....	D12/114
D790,527 S *	6/2017	O'Neill .....	D14/253
D826,103 S *	8/2018	Reano .....	D12/114
2012/0305614 A1 *	12/2012	Lee .....	B60R 11/0258 224/545

OTHER PUBLICATIONS

iPad Case for Car Headrest, Studio Proper, accessed on-line at: [www.studioproper.com/products/headrest-mount](http://www.studioproper.com/products/headrest-mount) (available prior to filing of the present application).  
 iPad P/O/S Pivot Table Stand and Wall Mount, Studio Proper, accessed on-line at: [https://www.studioproper.com/products/pos-pivot?gclid=EAlalQobChMl6ZSglYaz2QIVWLXACH3fDwQzEAQYBiABEgJ\\_nvD\\_BwE#](https://www.studioproper.com/products/pos-pivot?gclid=EAlalQobChMl6ZSglYaz2QIVWLXACH3fDwQzEAQYBiABEgJ_nvD_BwE#) (available prior to filing of the present application).

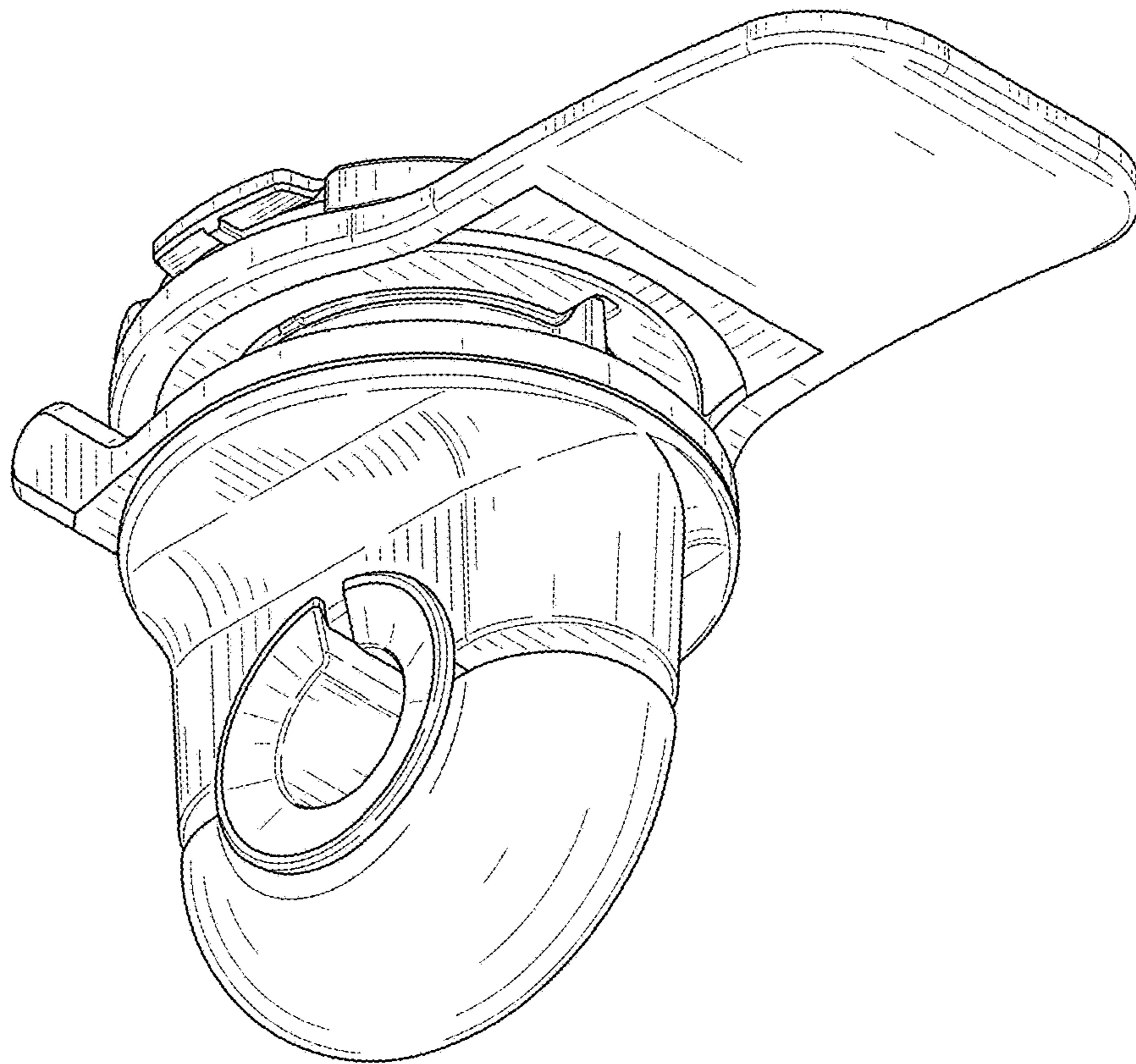
iPad Pro Case 9.7, Studio Proper, accessed on-line at: [www.studioproper.com/products/ipad-pro-case-9-7](http://www.studioproper.com/products/ipad-pro-case-9-7) (available prior to filing of the present application).  
 iPhone and Android Wireless Charger Pads, Which one is the best?, ZDNet, accessed on-line at: [www.zdnet.com/article/iphone-and-android-wireless-charger-pads-which-one-is-the-best/](http://www.zdnet.com/article/iphone-and-android-wireless-charger-pads-which-one-is-the-best/) (available prior to filing of the present application).  
 iPhone Magnetic Car Mount, Studio Proper, accessed on-line at: [www.studioproper.com/products/iphone-car-mount](http://www.studioproper.com/products/iphone-car-mount) (available prior to filing of the present application).  
 iPhone Magnetic Tilt Stand, Studio Proper, accessed on-line at: <https://www.studioproper.com/products/iphone-tilt-stand> (available prior to filing of the present application).  
 Quad Lock—Mounts, Annex Products Pty Ltd., accessed on-line at: [www.quadlockcase.com/collections/shop-mounts](http://www.quadlockcase.com/collections/shop-mounts) (available prior to filing of the present application).  
 The Wallee iPad Case and Wall Mount, accessed on-line at: <http://thewallee.com/accessories/details/product/vesa> (available prior to filing of the present application).  
 Universal Desk Aluminum Metal Portable Stand Holder Mount for Phone and Tablet, accessed on-line at: <https://www.walmart.com/ip/Universal-Desk-Aluminum-Metal-Portable-Stand-Holder-Mount-For-Phone-and-Tablet-Black/113657279> (available prior to filing of the present application).

\* cited by examiner

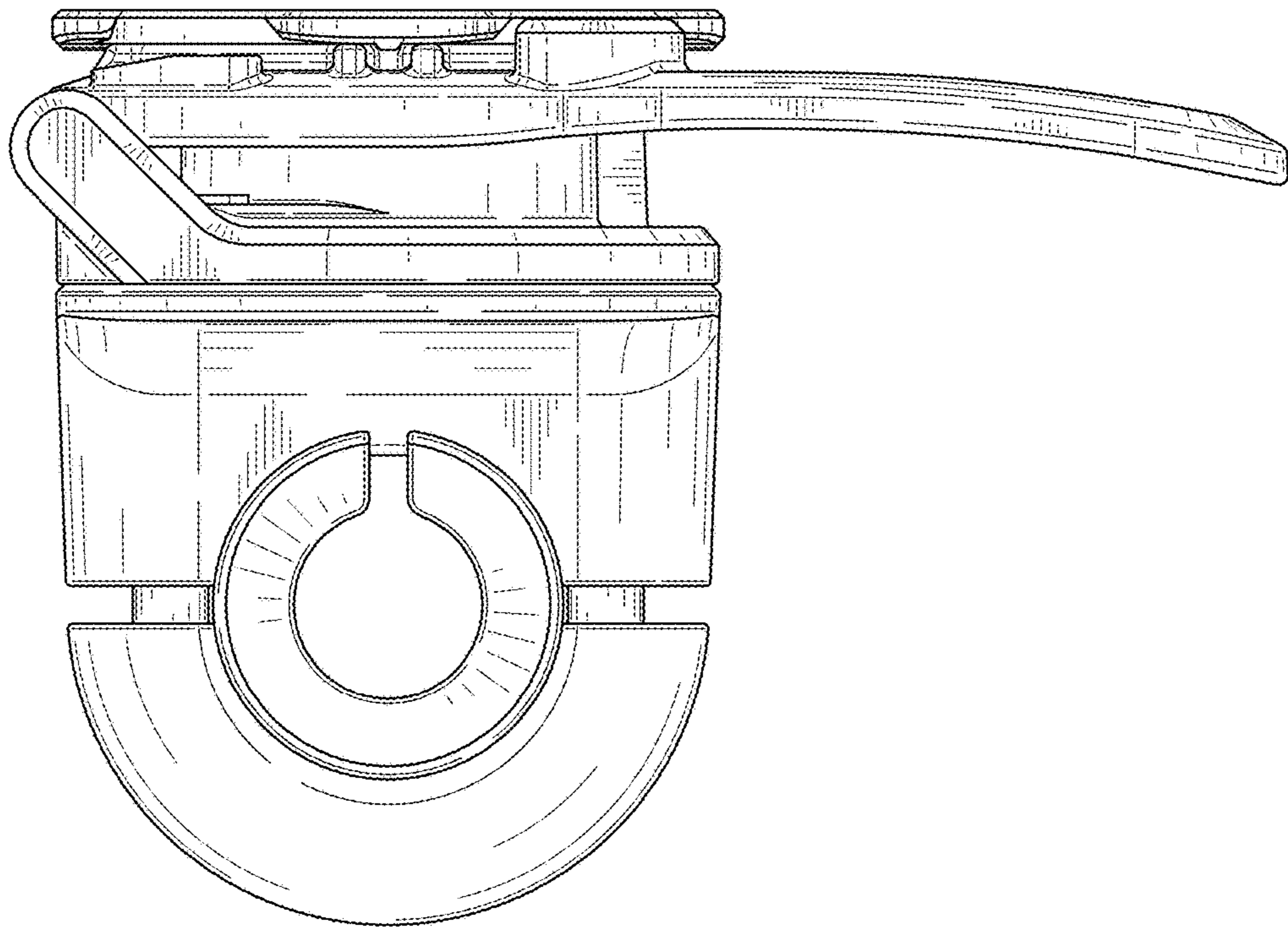


*FIG. 1*

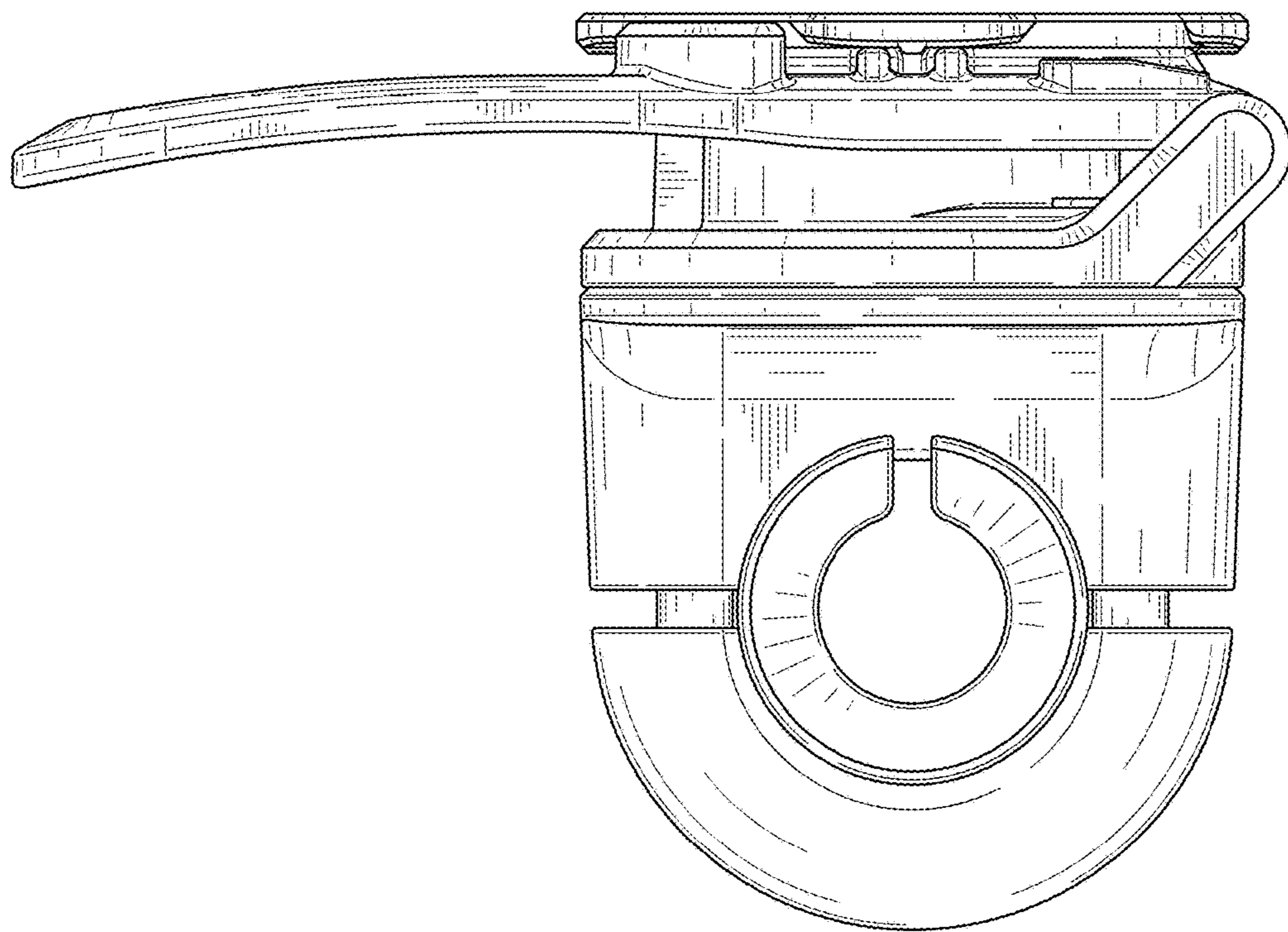




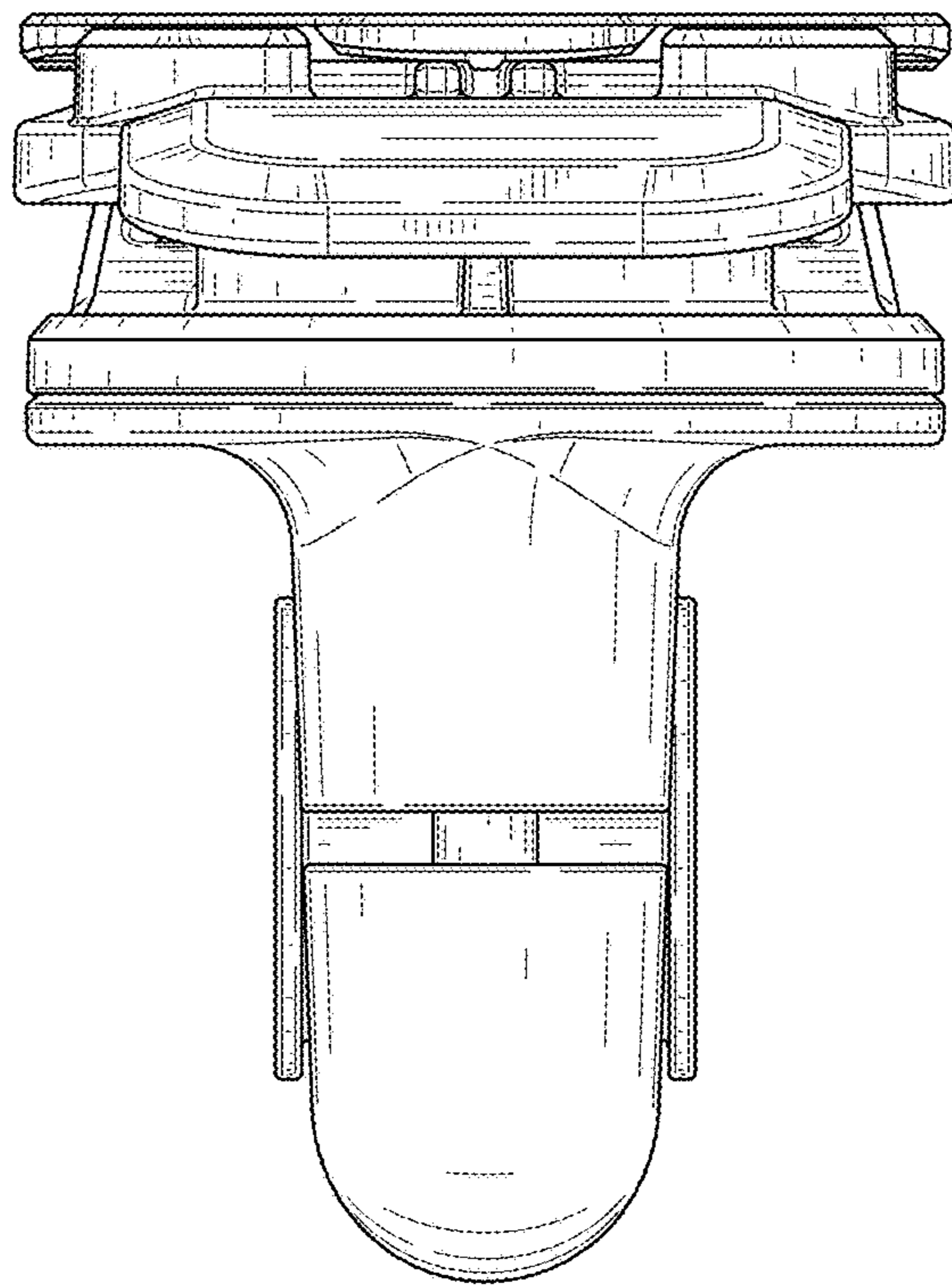
*FIG. 2*



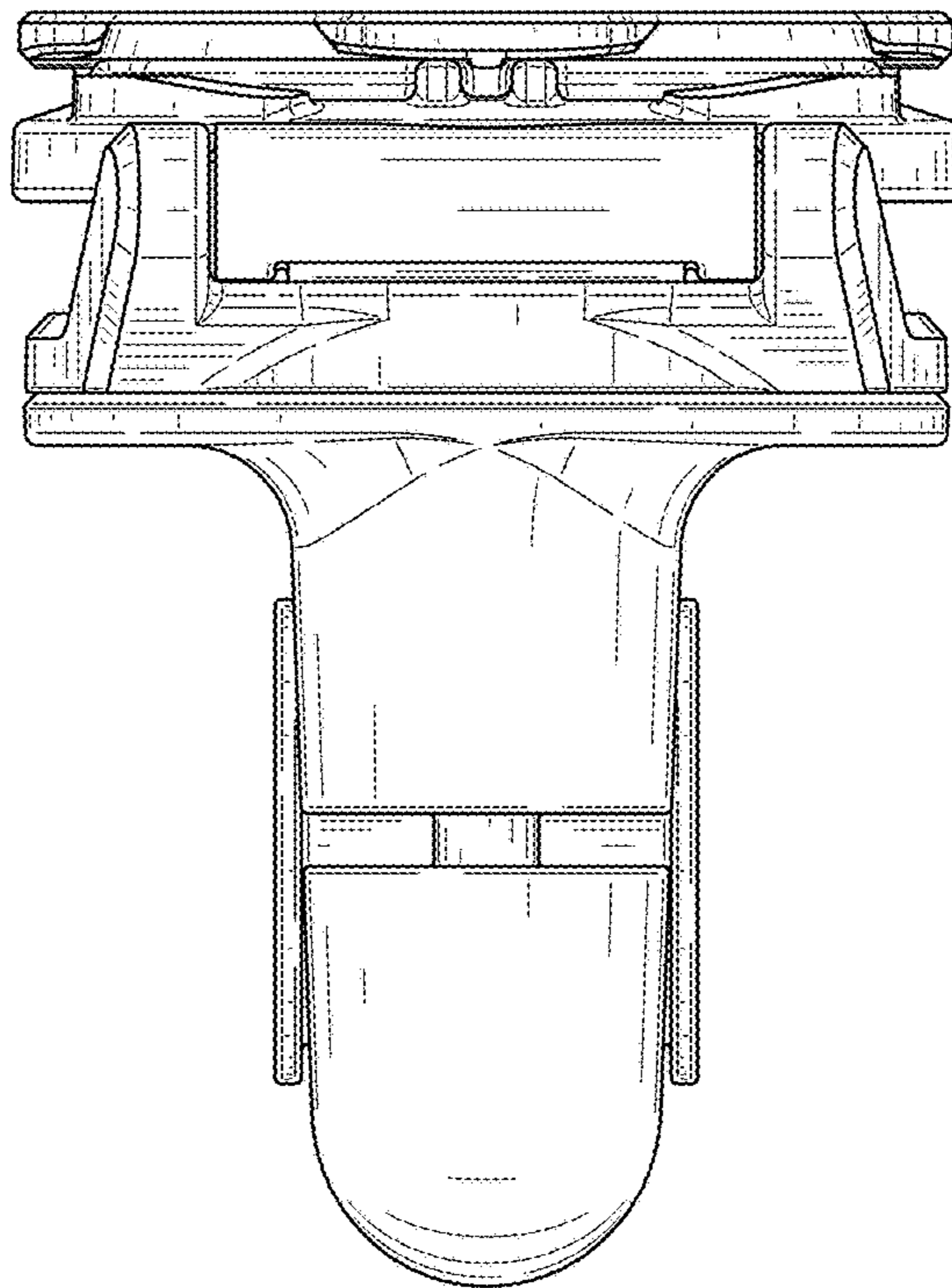
*FIG. 3*



*FIG. 4*

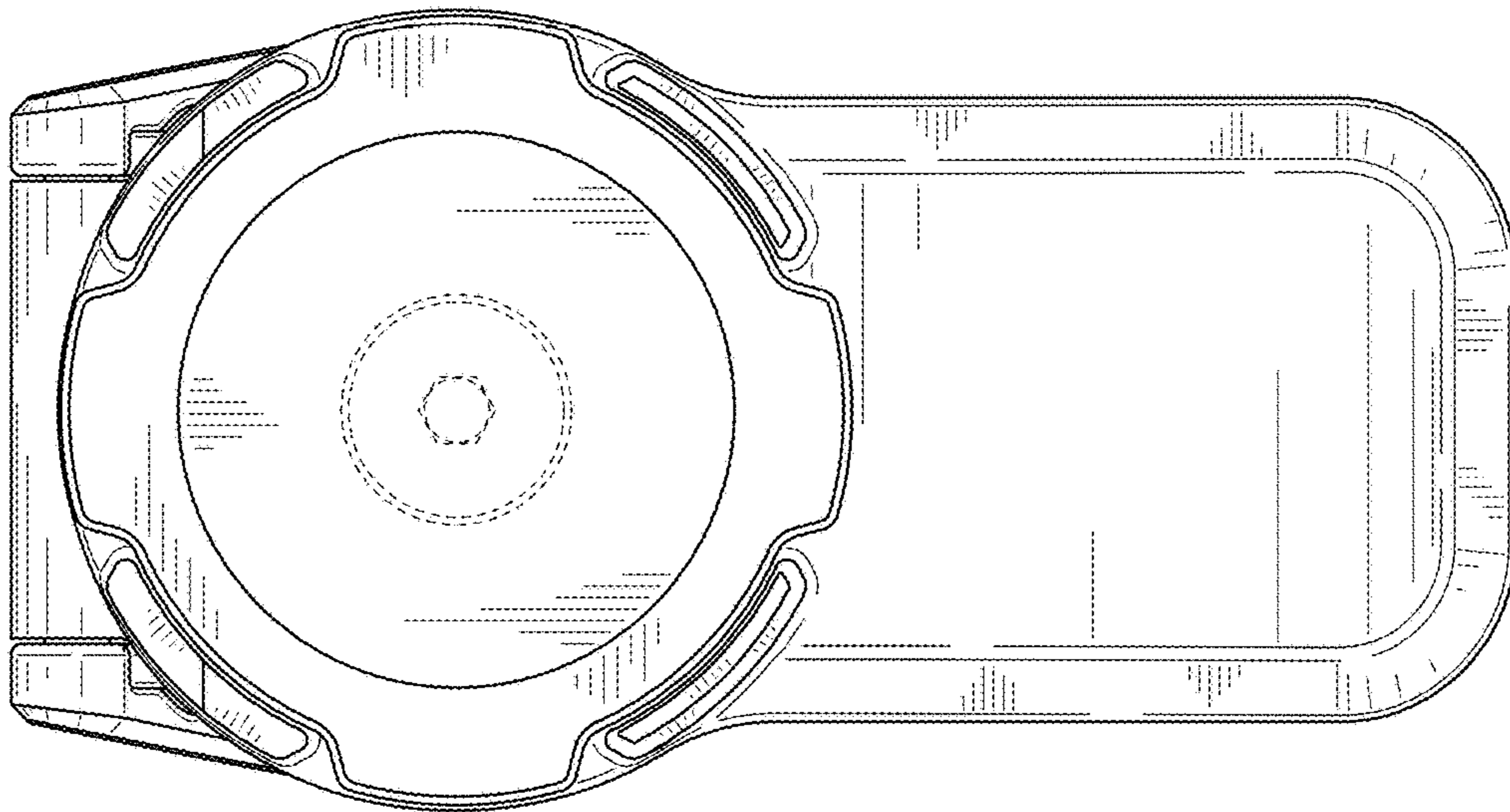


*FIG. 5*

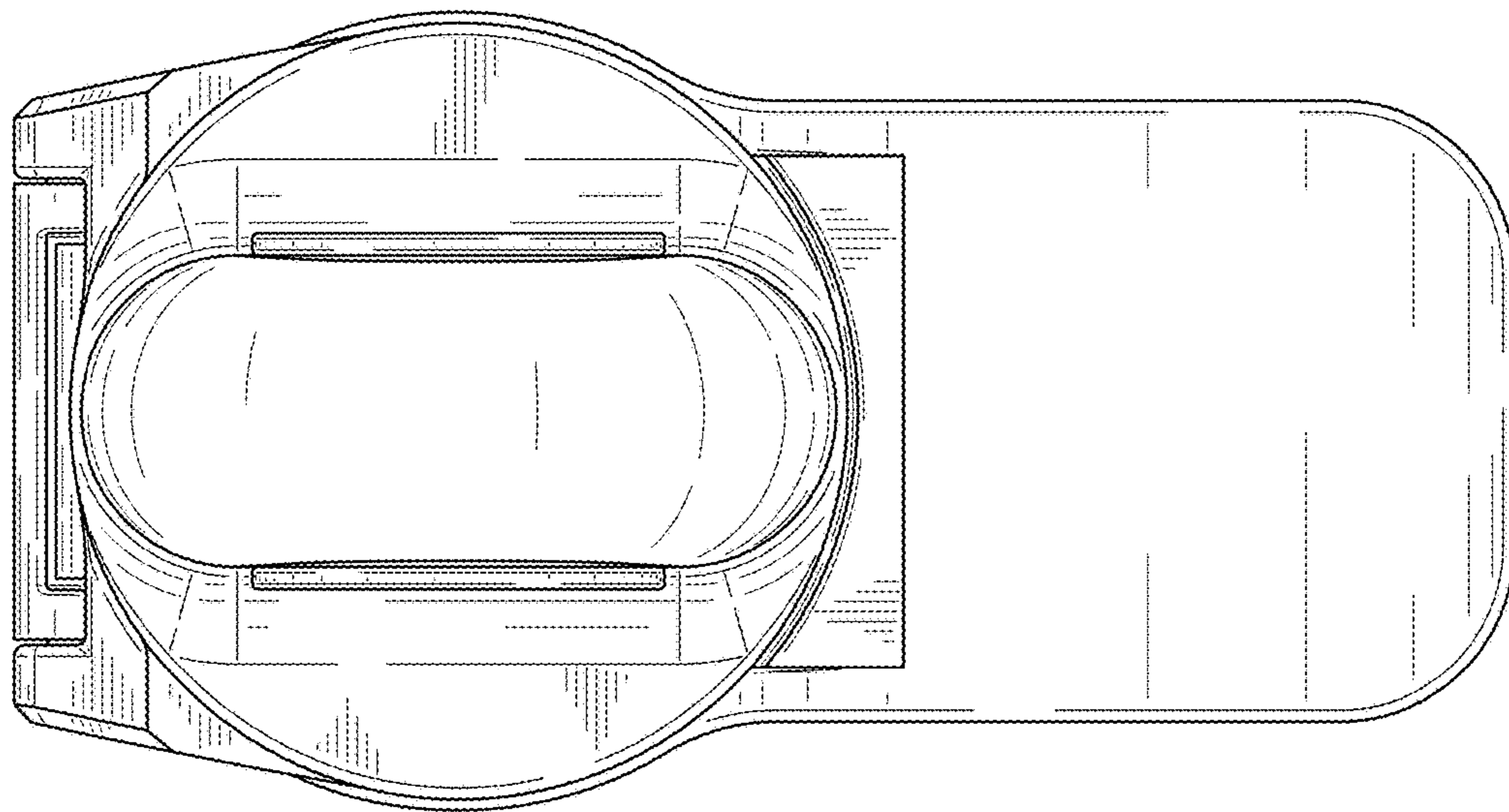


*FIG. 6*





*FIG. 7*



*FIG. 8*