



US00D852679S

(12) **United States Design Patent** (10) **Patent No.:** **US D852,679 S**
Deltour (45) **Date of Patent:** **** Jul. 2, 2019**

(54) **TOP TUBE FOR A BICYCLE**
(71) Applicant: **LA POSTE**, Paris (FR)
(72) Inventor: **Pauline Deltour**, Paris (FR)
(73) Assignee: **LA POSTE**, Paris (FR)
(**) Term: **15 Years**
(21) Appl. No.: **29/632,229**
(22) Filed: **Jan. 5, 2018**
(51) **LOC (11) Cl.** **12-11**
(52) **U.S. Cl.**
USPC **D12/114**
(58) **Field of Classification Search**
USPC D12/114, 111, 117, 118; D7/683
CPC B62K 13/08; B62K 19/30; B62K 25/02;
B62K 25/04
See application file for complete search history.

D555,436 S * 11/2007 Slothower D10/46
D637,526 S * 5/2011 Choi D12/111
D675,132 S * 1/2013 Colp D12/118
D692,801 S * 11/2013 Lumpkin D12/117
D726,075 S * 4/2015 D'Aluisio D12/111
D774,980 S * 12/2016 Duehring D12/111
D776,014 S * 1/2017 Silva D12/111
D785,509 S * 5/2017 Juhlin D12/111
D798,771 S * 10/2017 Pomerantz D12/114
D800,024 S * 10/2017 Vital Huici D12/111
D801,757 S * 11/2017 Knittig D7/683
2011/0233222 A1* 9/2011 Bethlenfalvy B62K 19/30
220/737

* cited by examiner

Primary Examiner — Michelle E. Wilson
Assistant Examiner — Clese Moore, Jr.
(74) *Attorney, Agent, or Firm* — Banner & Witcoff, Ltd.

(57) **CLAIM**

The ornamental design for a top tube for a bicycle, as shown and described.

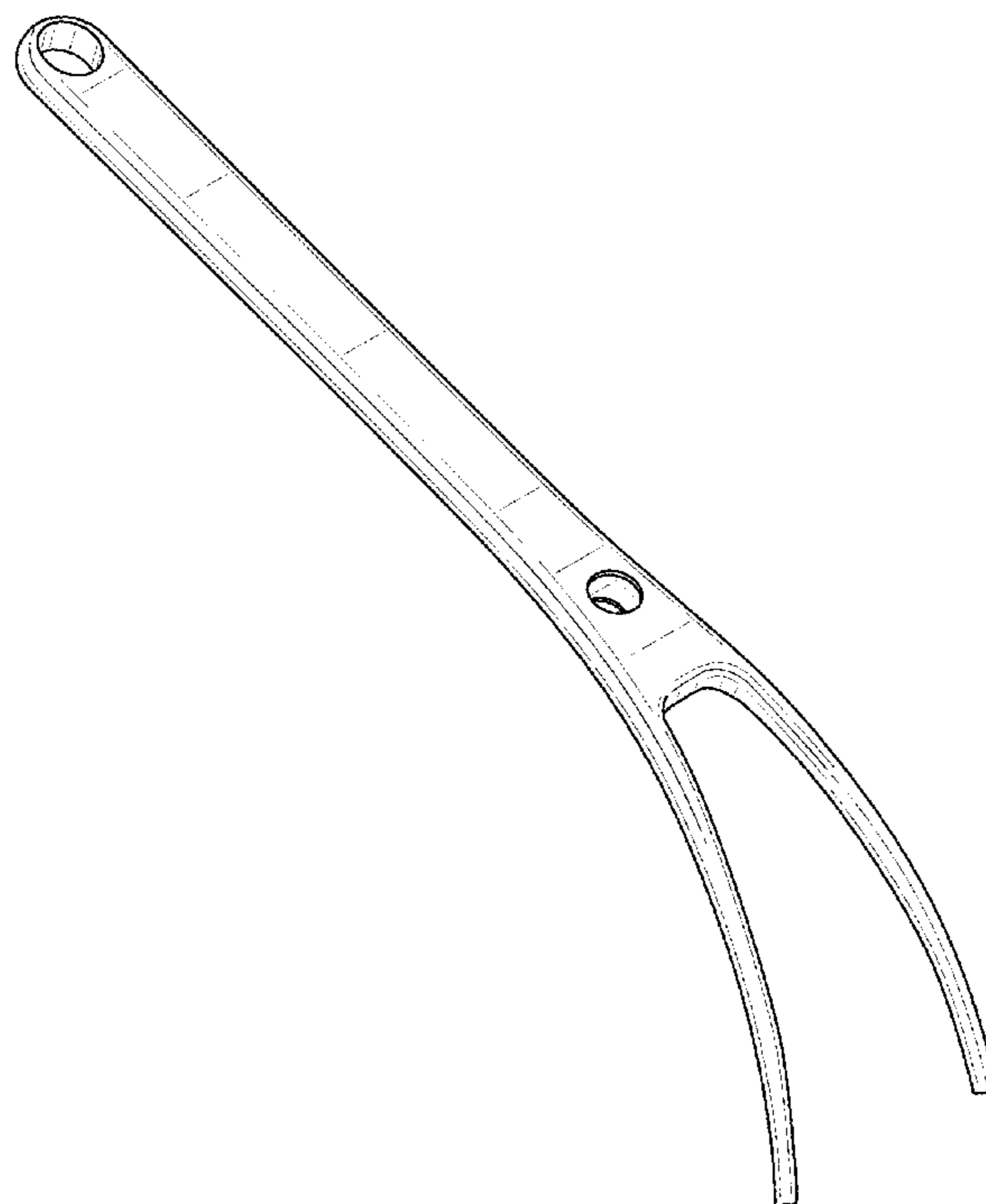
(56) **References Cited**
U.S. PATENT DOCUMENTS

D118,837 S * 2/1940 Rideout D12/118
D216,574 S * 2/1970 Olney D12/126
D243,167 S * 1/1977 Wheeler D12/118
D340,433 S * 10/1993 Baldwin D12/117
D351,092 S * 10/1994 Weber D7/683
D361,048 S * 8/1995 LaRiviere D12/118
D392,848 S * 3/1998 Zeller D7/683
D427,025 S * 6/2000 Lee D10/57
D432,875 S * 10/2000 Begley D7/683
D505,842 S * 6/2005 Harris, Jr. D7/683
D521,420 S * 5/2006 Cobb D12/118

DESCRIPTION

FIG. 1 is a front perspective view of a top tube for a bicycle showing my new design;
FIG. 2 is a front view thereof;
FIG. 3 is a rear view thereof;
FIG. 4 is a left side view thereof;
FIG. 5 is a right side view thereof;
FIG. 6 is a top view thereof; and,
FIG. 7 is a bottom view thereof.

1 Claim, 7 Drawing Sheets



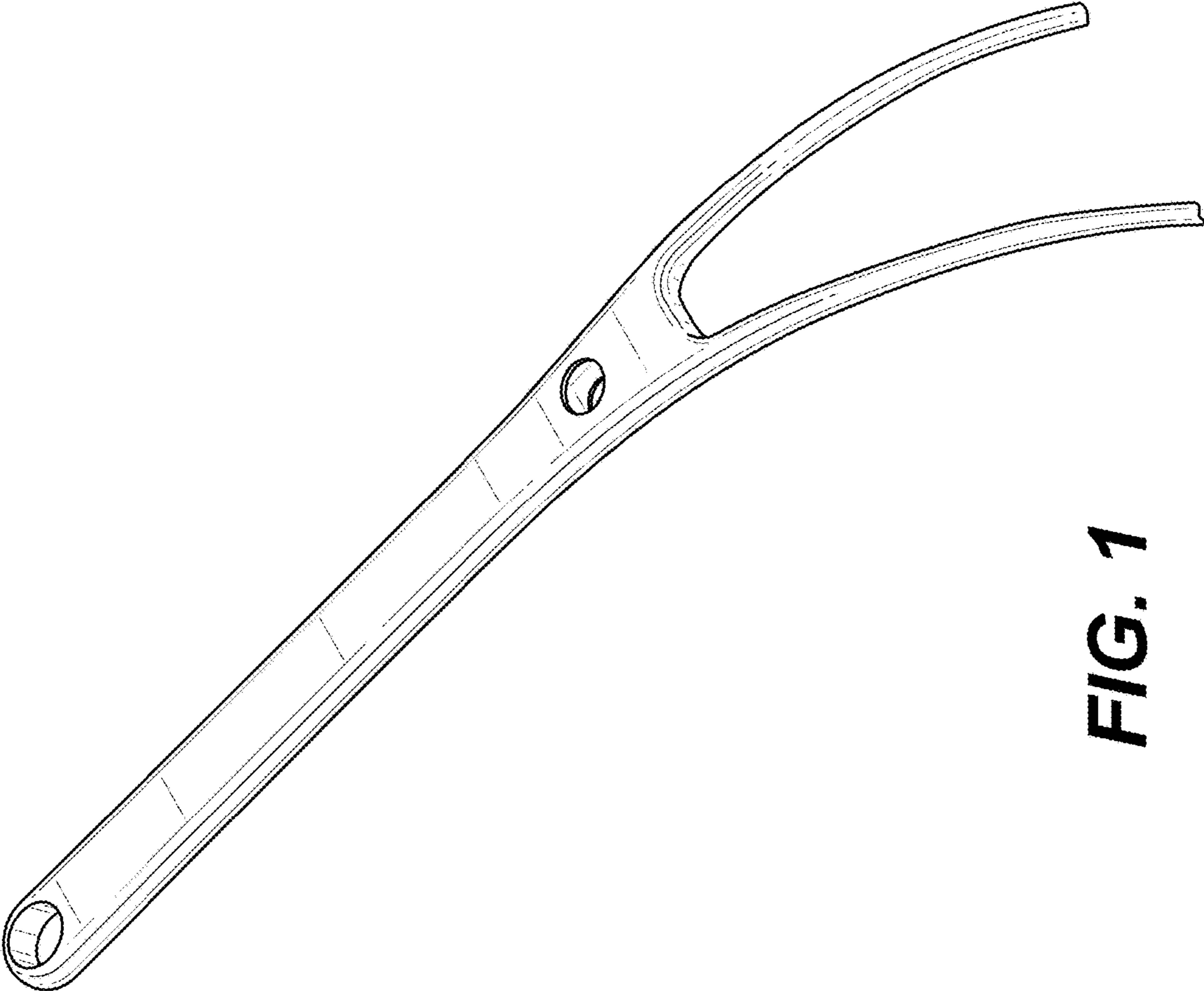


FIG. 1

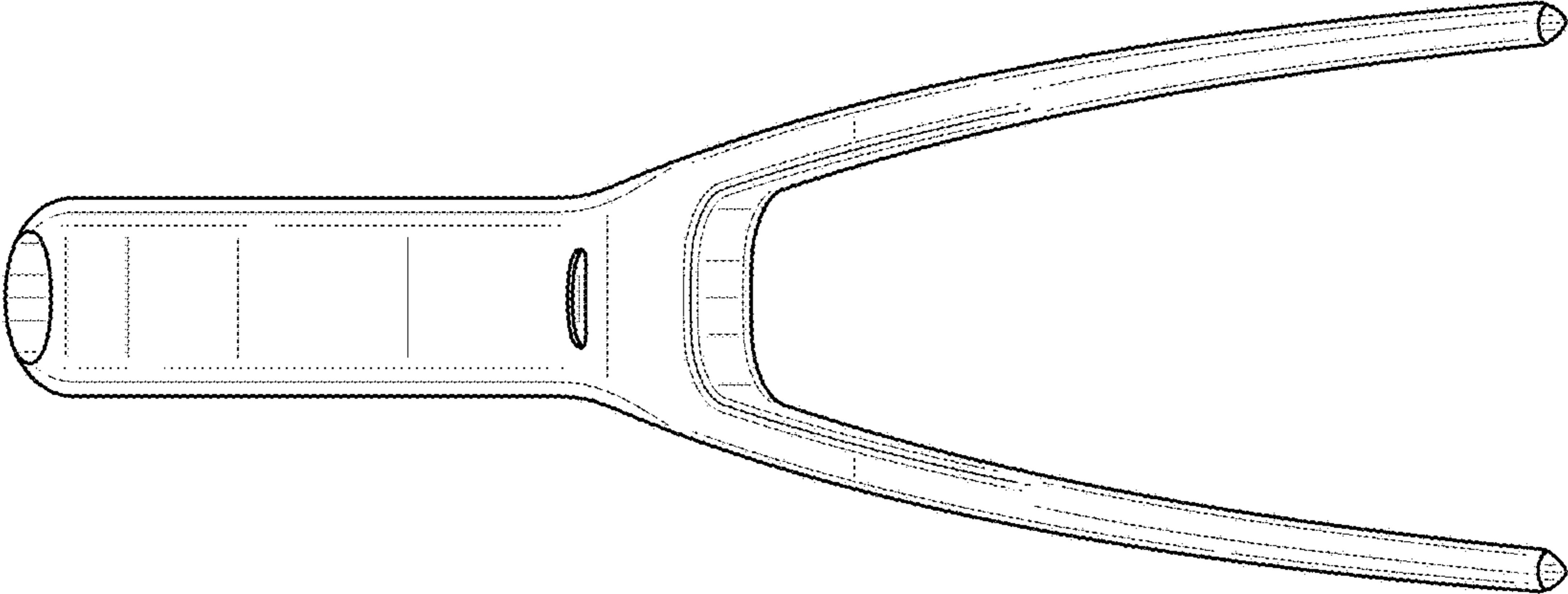


FIG. 2

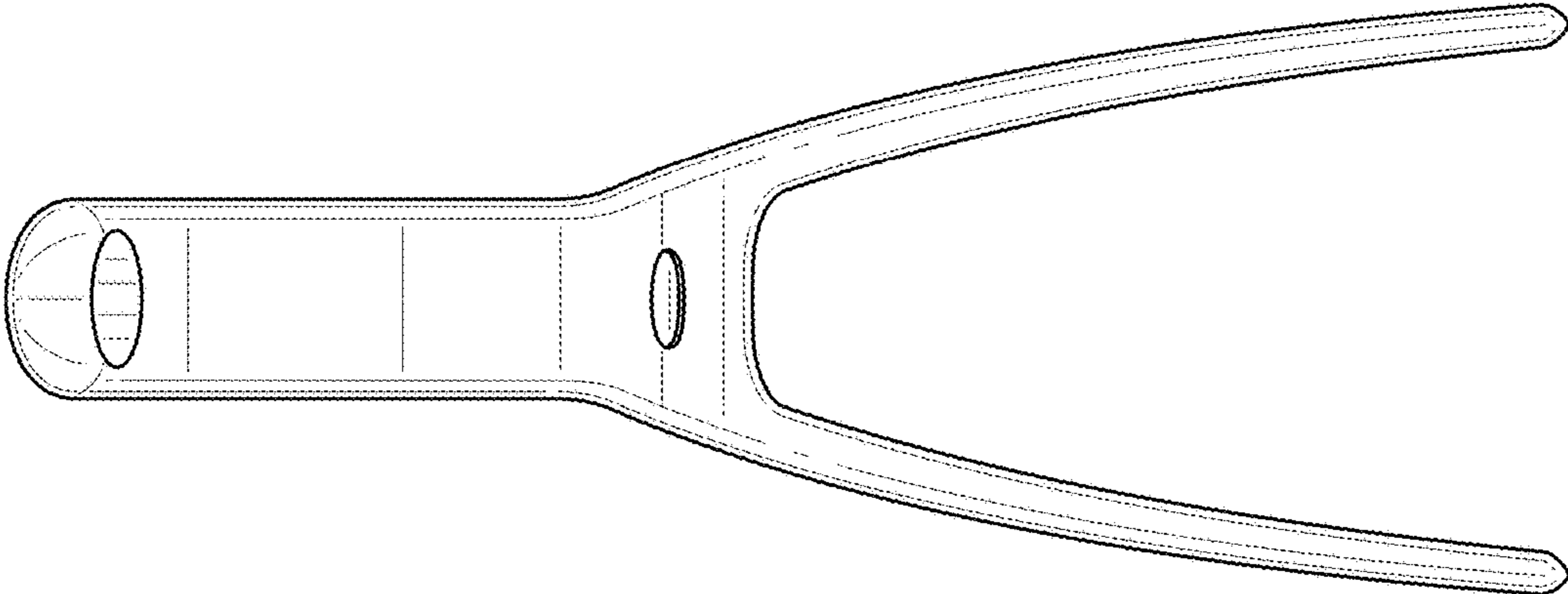


FIG. 3

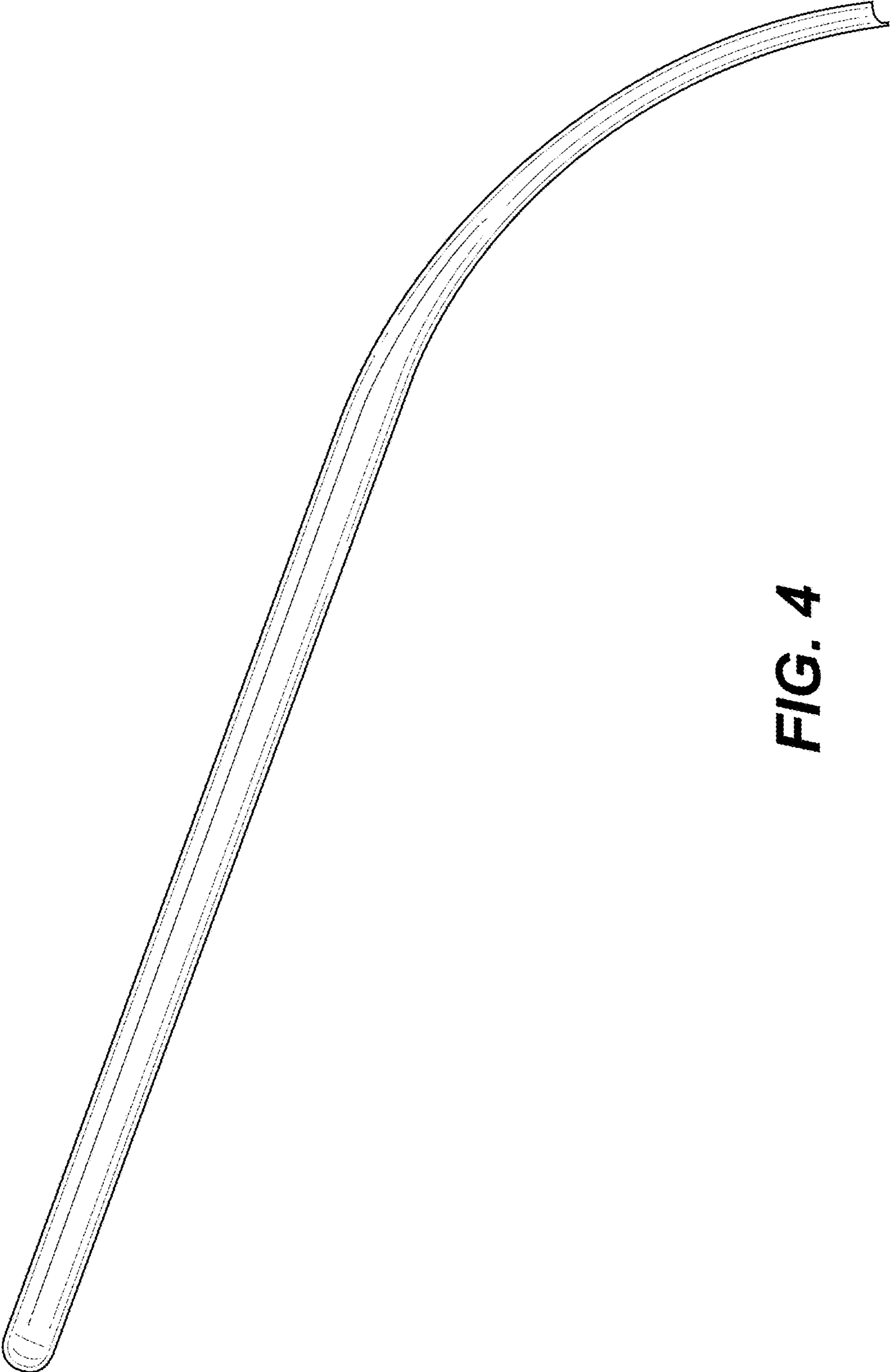


FIG. 4

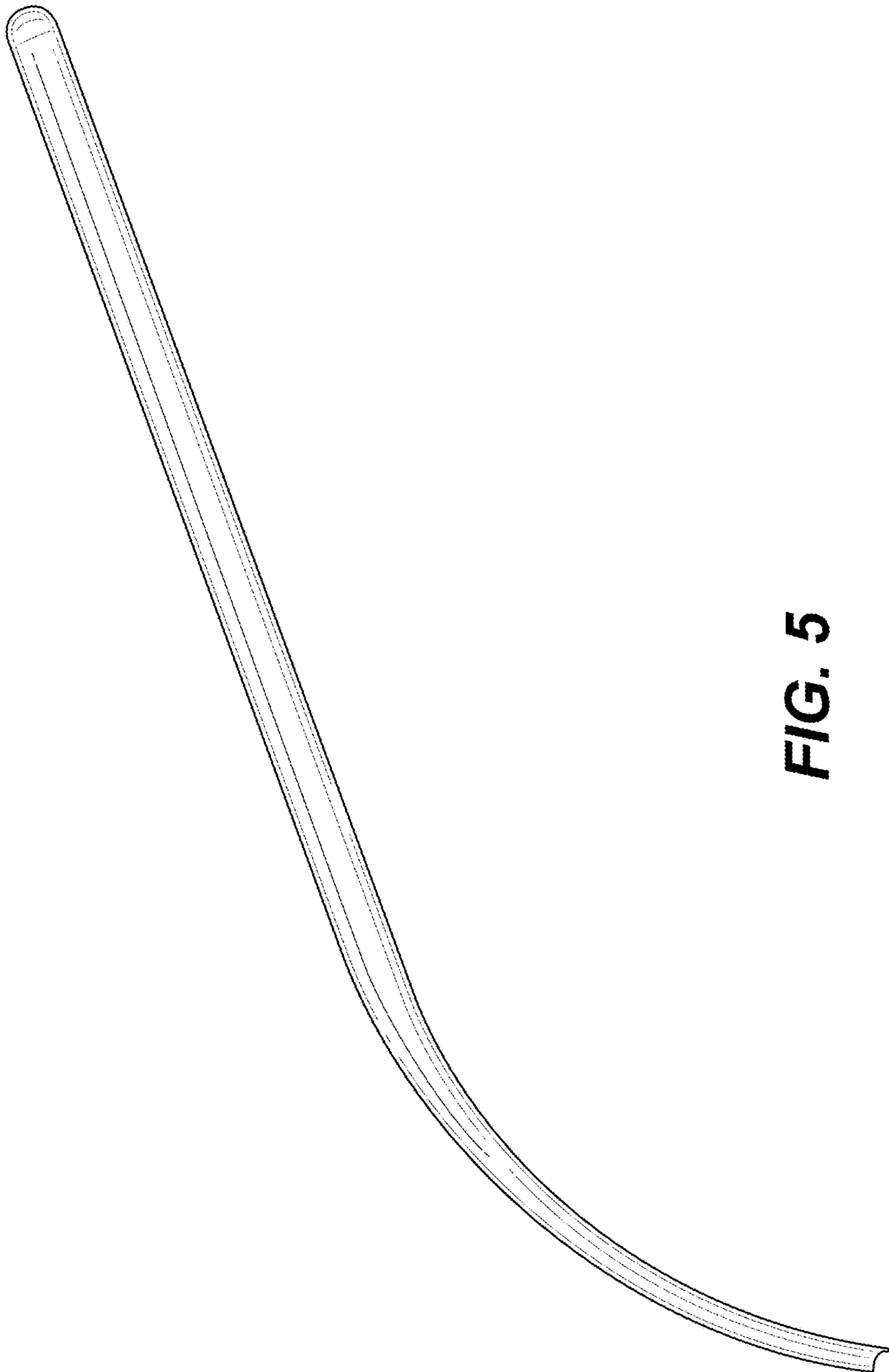


FIG. 5

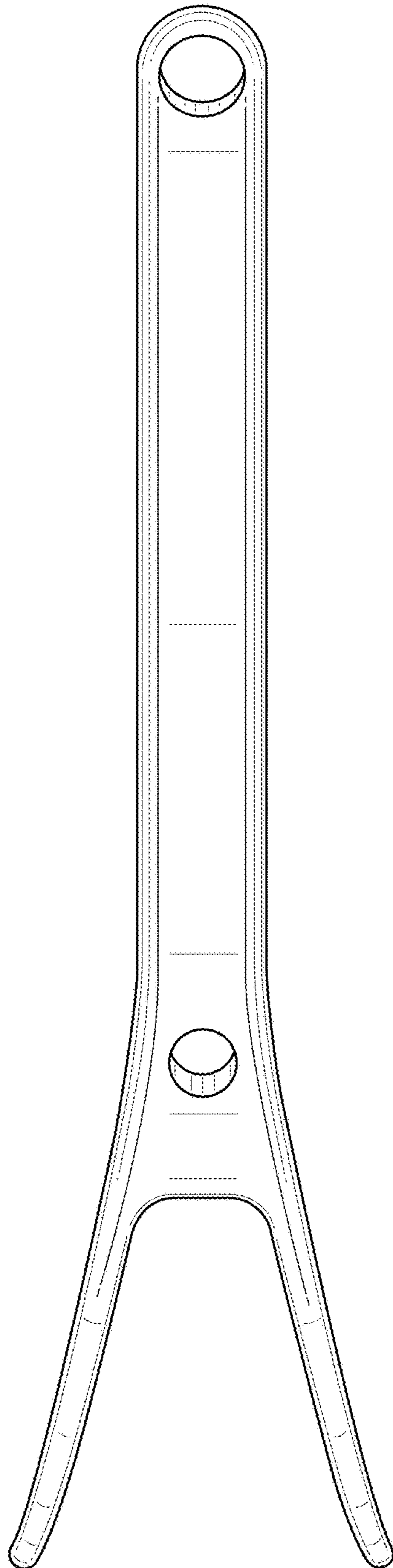


FIG. 6

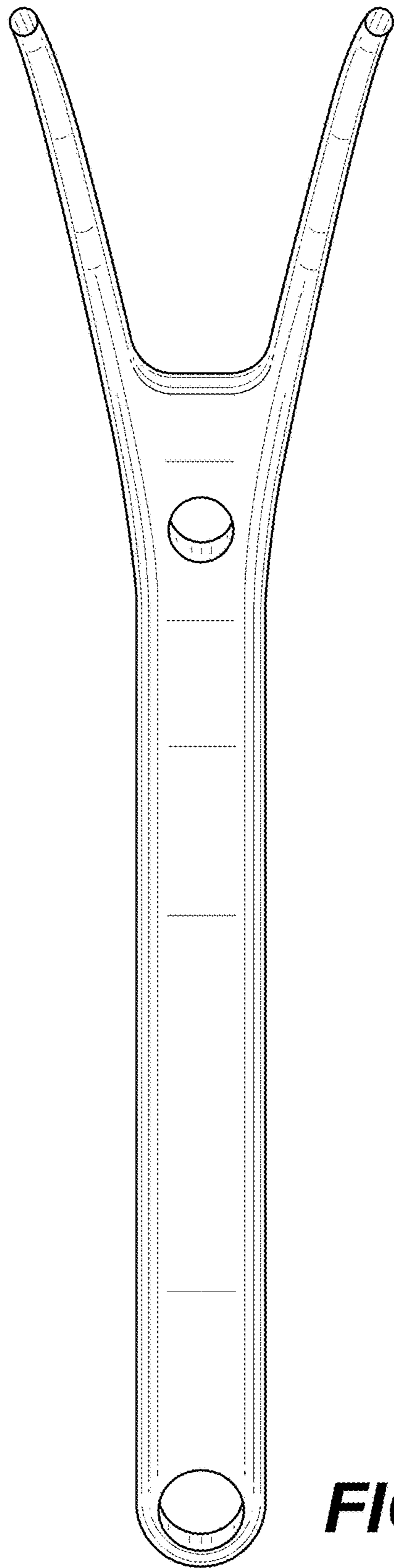


FIG. 7