



US00D852677S

(12) **United States Design Patent** (10) **Patent No.:** **US D852,677 S**
Callahan (45) **Date of Patent:** **** Jul. 2, 2019**

(54) **BICYCLE DISPLAY**
(71) Applicant: **BCycle, LLC**, Waterloo, WI (US)
(72) Inventor: **Ryan Callahan**, Madison, WI (US)
(73) Assignee: **Trek Bicycle Corporation**, Waterloo, WI (US)
(**) Term: **15 Years**
(21) Appl. No.: **29/571,452**
(22) Filed: **Jul. 18, 2016**
(51) **LOC (11) Cl.** **12-11**
(52) **U.S. Cl.**
USPC **D12/114**
(58) **Field of Classification Search**
USPC D12/114, 111, 178, 407, 400
CPC B62J 2099/0026; B62J 2099/002; B62J
2099/004; B62J 11/00
See application file for complete search history.

(56) **References Cited**
U.S. PATENT DOCUMENTS
D273,775 S * 5/1984 Aker D12/114
4,489,307 A * 12/1984 Nagano B62J 99/00
340/432
4,819,217 A * 4/1989 Houlihan G04B 37/1413
224/420
4,881,187 A * 11/1989 Read G01C 22/002
200/5 D
D334,721 S * 4/1993 Katz D10/98
D334,722 S * 4/1993 Katz D10/98
D334,897 S * 4/1993 Katz D10/98
D345,534 S * 3/1994 Abboud D12/114
5,370,412 A * 12/1994 Chou B62J 99/00
280/288.4
D372,893 S * 8/1996 Harris D12/178
5,881,936 A * 3/1999 Li B62J 7/06
224/413

5,903,214 A * 5/1999 Watarai B62K 23/06
200/61.85
D419,123 S * 1/2000 Okuda D12/114
D436,898 S * 1/2001 Okada D12/114
D440,910 S * 4/2001 Blackburn, Jr. D12/114
D443,562 S * 6/2001 Okada D12/114
6,305,241 B1 * 10/2001 Masui B62J 11/00
224/420
D453,715 S * 2/2002 Nakazawa D12/114
D453,716 S * 2/2002 Iteya D12/114
6,584,872 B1 * 7/2003 Kojima B62J 99/00
74/551.3
6,716,140 B2 * 4/2004 Cheng A63B 71/0622
248/904

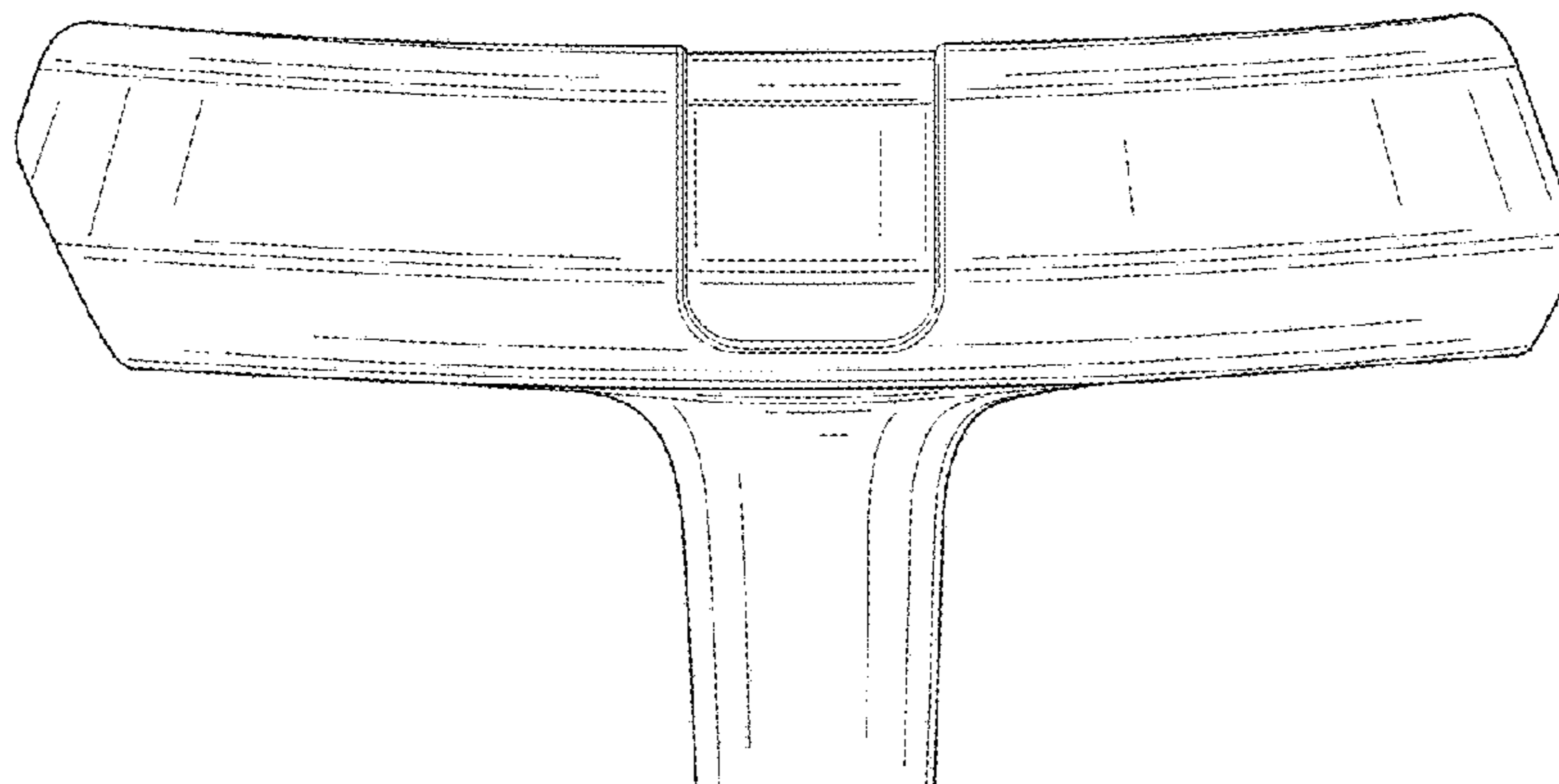
(Continued)

Primary Examiner — Michelle E. Wilson
Assistant Examiner — Clese Moore, Jr.

(57) **CLAIM**
The ornamental design for a bicycle display, as shown and described.

DESCRIPTION
FIG. 1 is a front view of a bicycle display showing my new design;
FIG. 2 is a rear view thereof;
FIG. 3 is a left side view thereof;
FIG. 4 is right side view thereof;
FIG. 5 is a top view thereof;
FIG. 6 is a bottom view thereof;
FIG. 7 is a left, top, rear perspective thereof;
FIG. 8 is a right, bottom, rear perspective thereof;
FIG. 9 is a right, top, front perspective thereof;
FIG. 10 is a right, top, front perspective thereof showing the bicycle display attached to a bicycle; and,
FIG. 11 is a right, top, rear perspective thereof showing the bicycle display attached to the bicycle.
The broken line showing of the bicycle frame and wheels is for the purpose of illustrating a use on a bicycle and forms no part of the claimed design.

1 Claim, 11 Drawing Sheets



(56)

References Cited

U.S. PATENT DOCUMENTS

6,981,413 B2 * 1/2006 Kinoshita B62J 99/00
340/432
D647,434 S * 10/2011 Chambers D12/114
D778,209 S * 2/2017 Morgan D10/74
D802,504 S * 11/2017 Weng D12/192

* cited by examiner

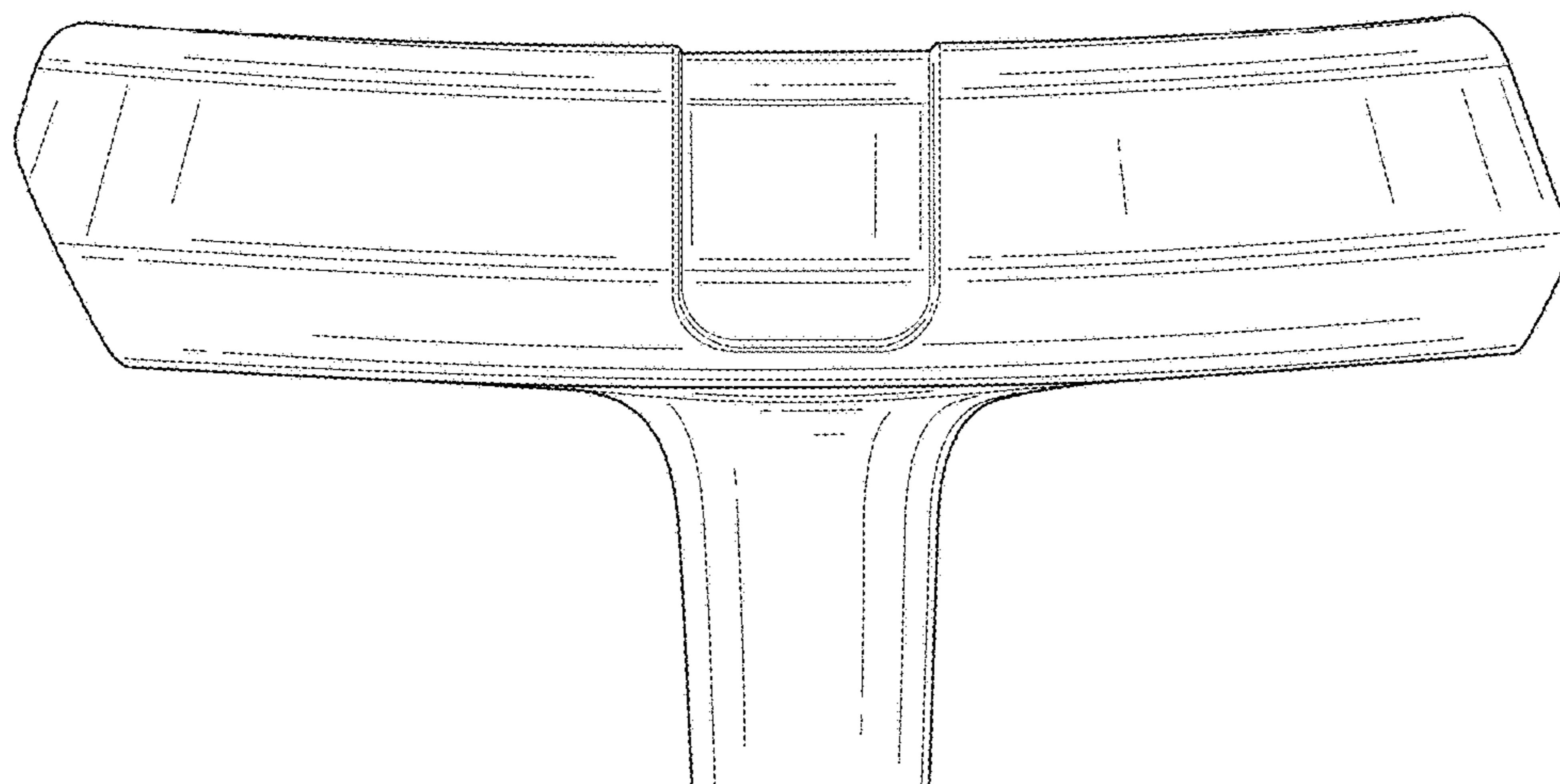


FIG. 1

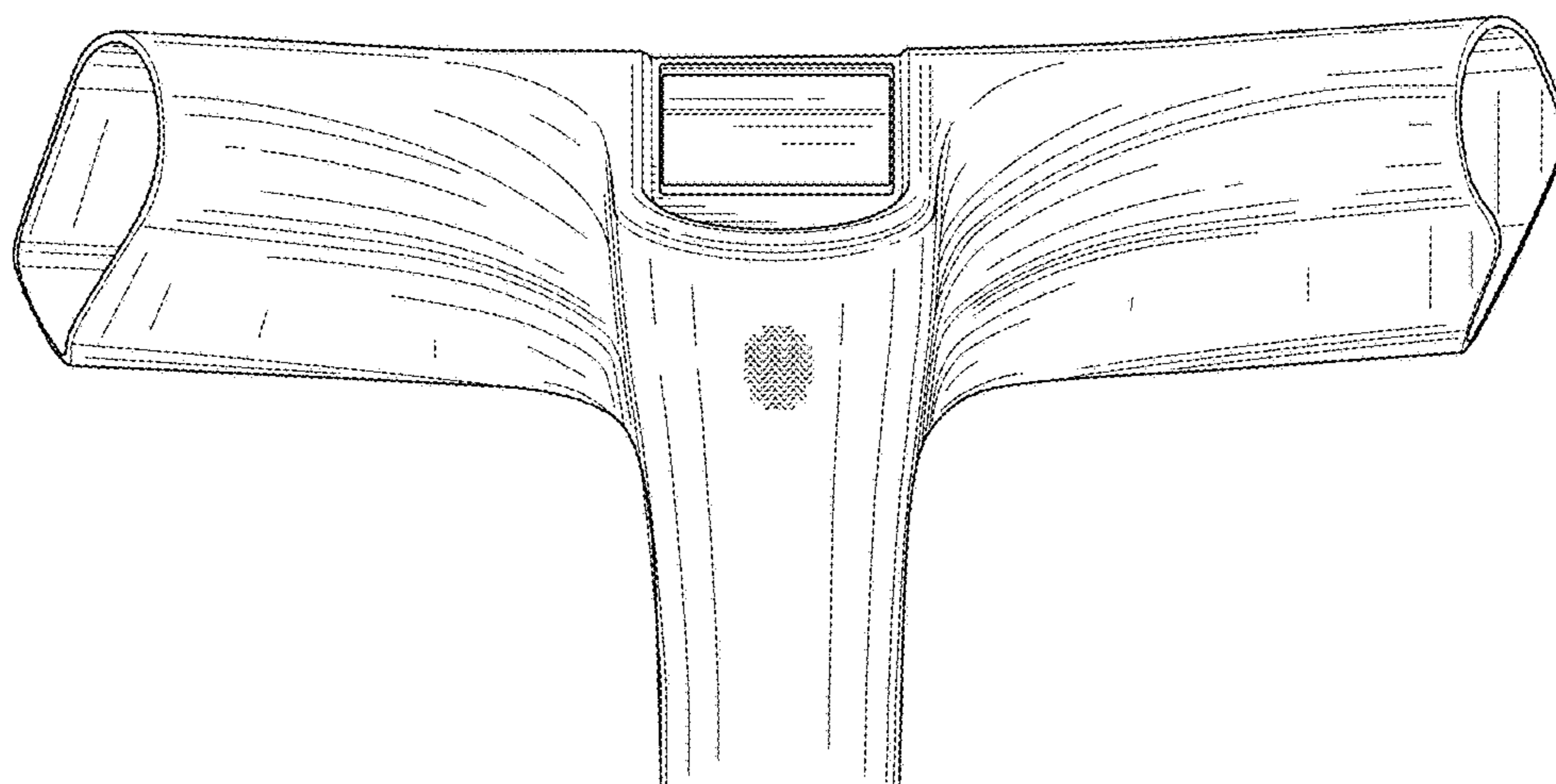


FIG. 2

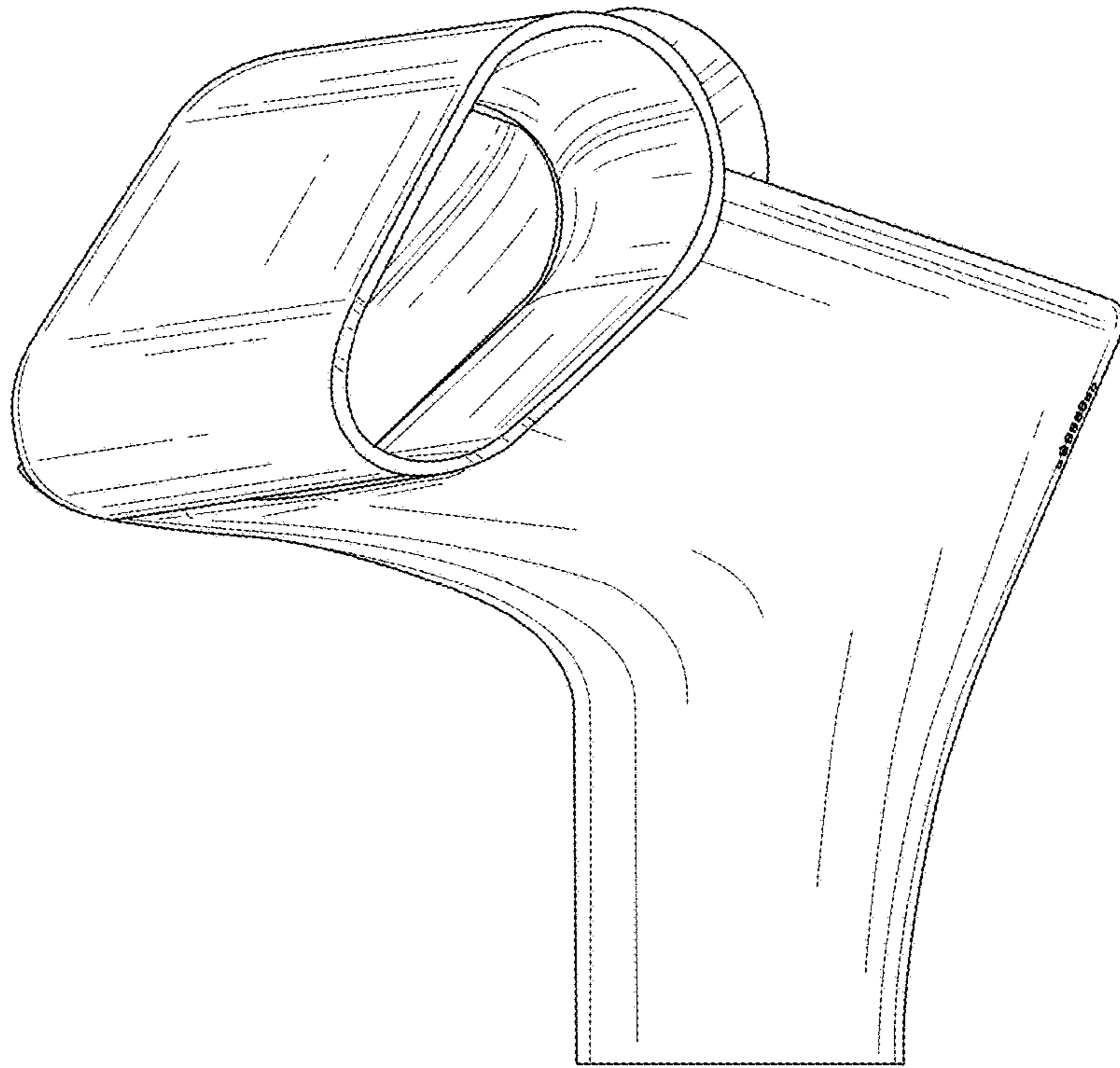


FIG. 3

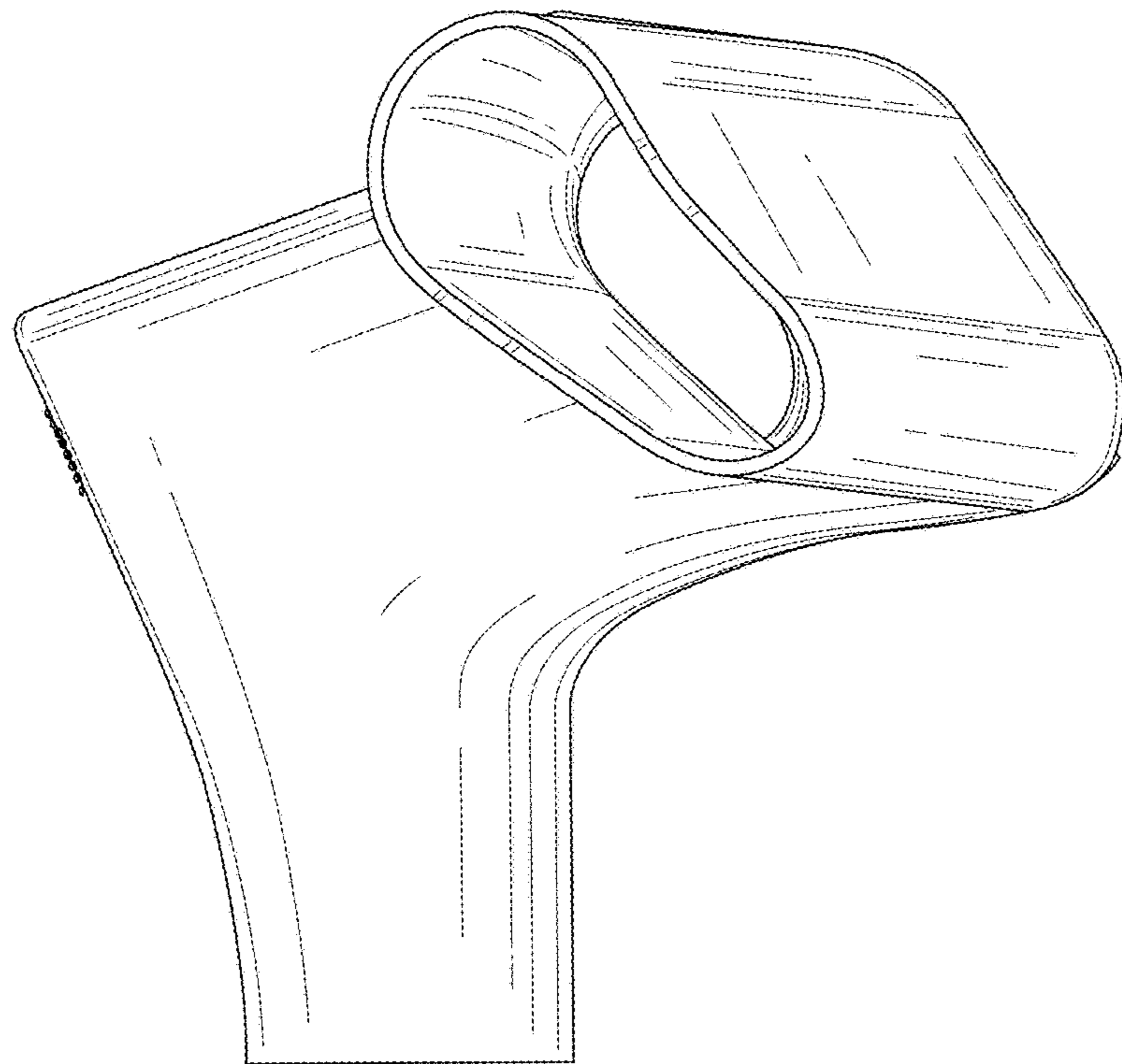


FIG. 4

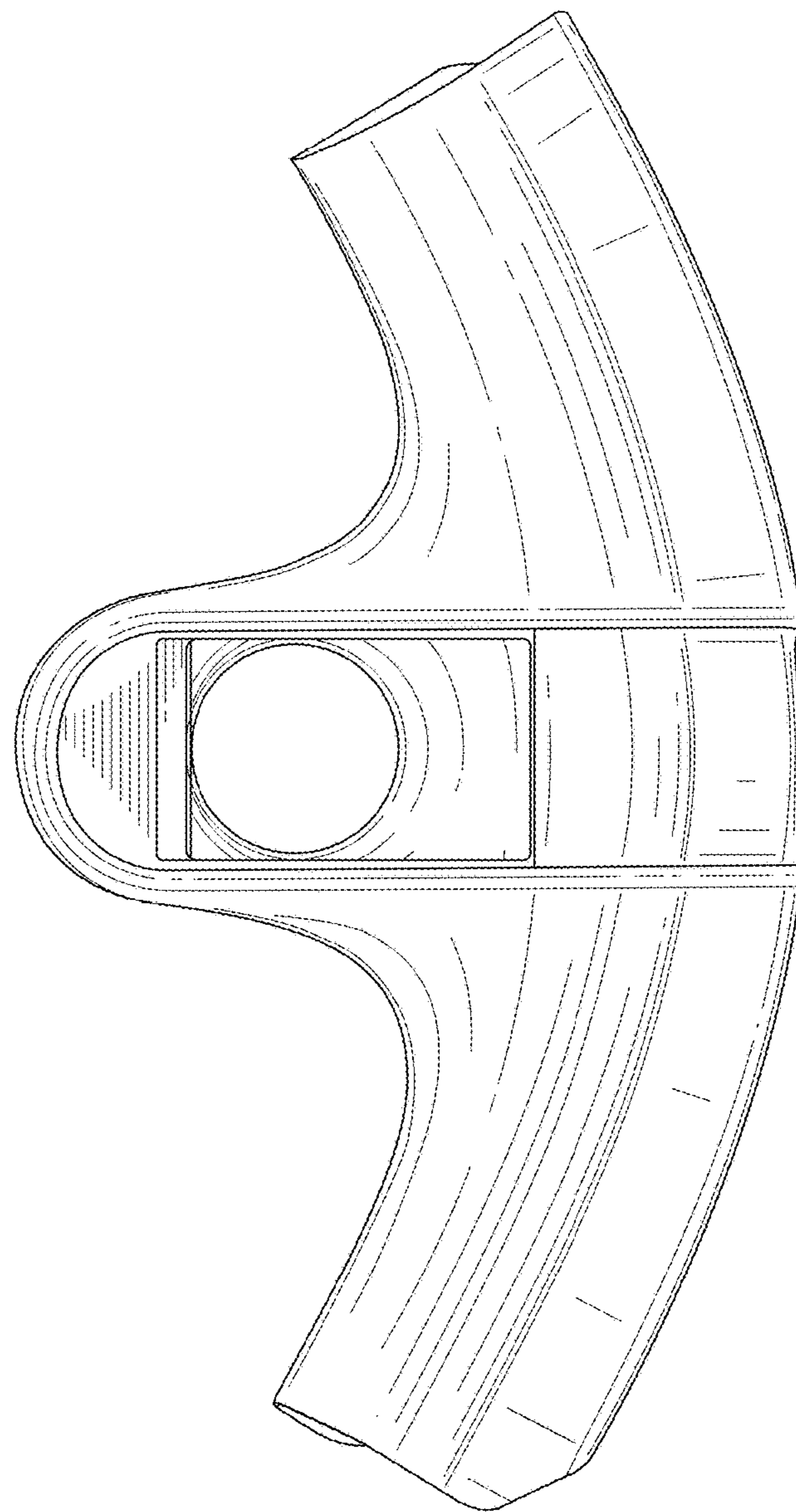


FIG. 5

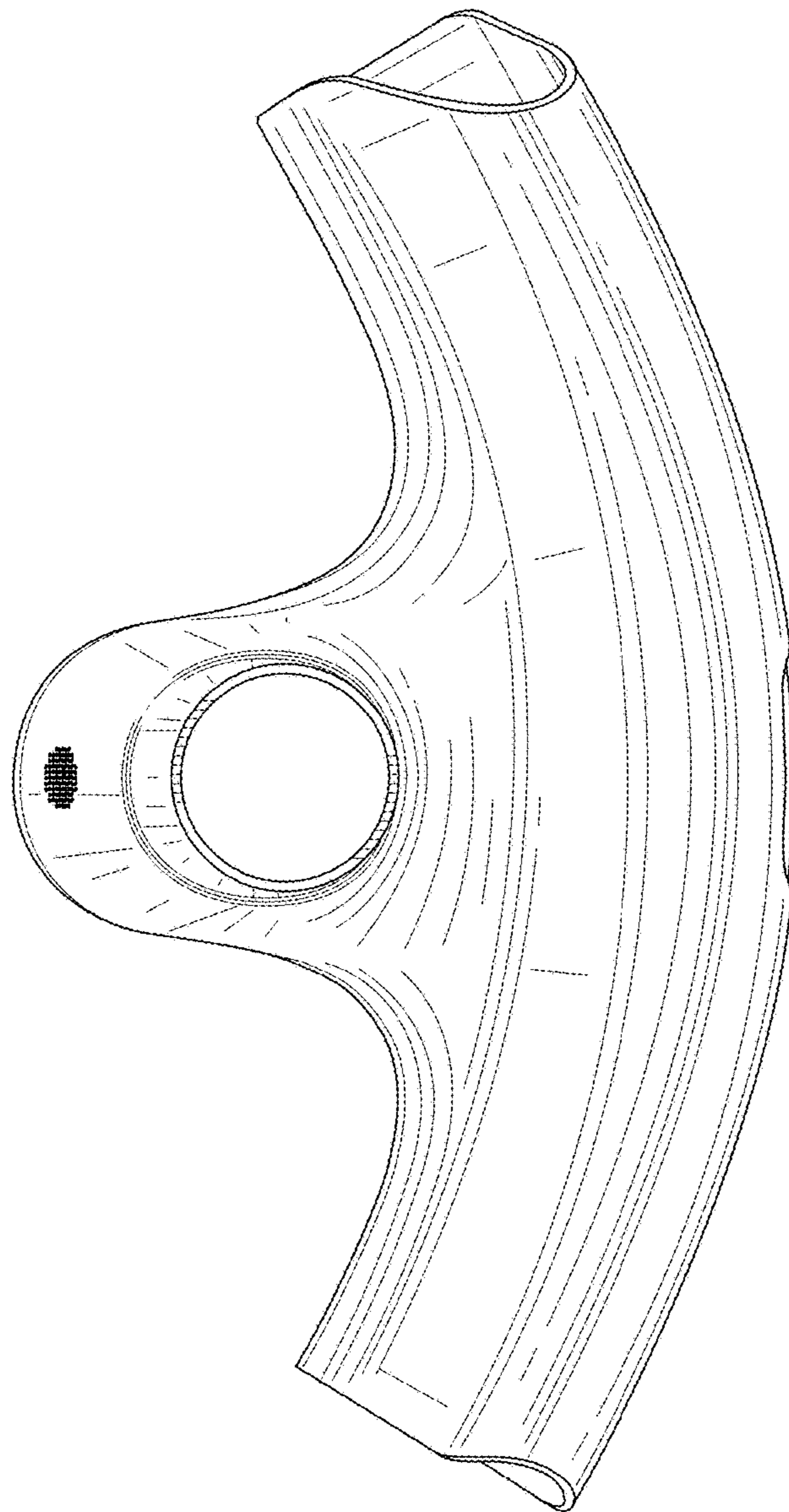


FIG. 6

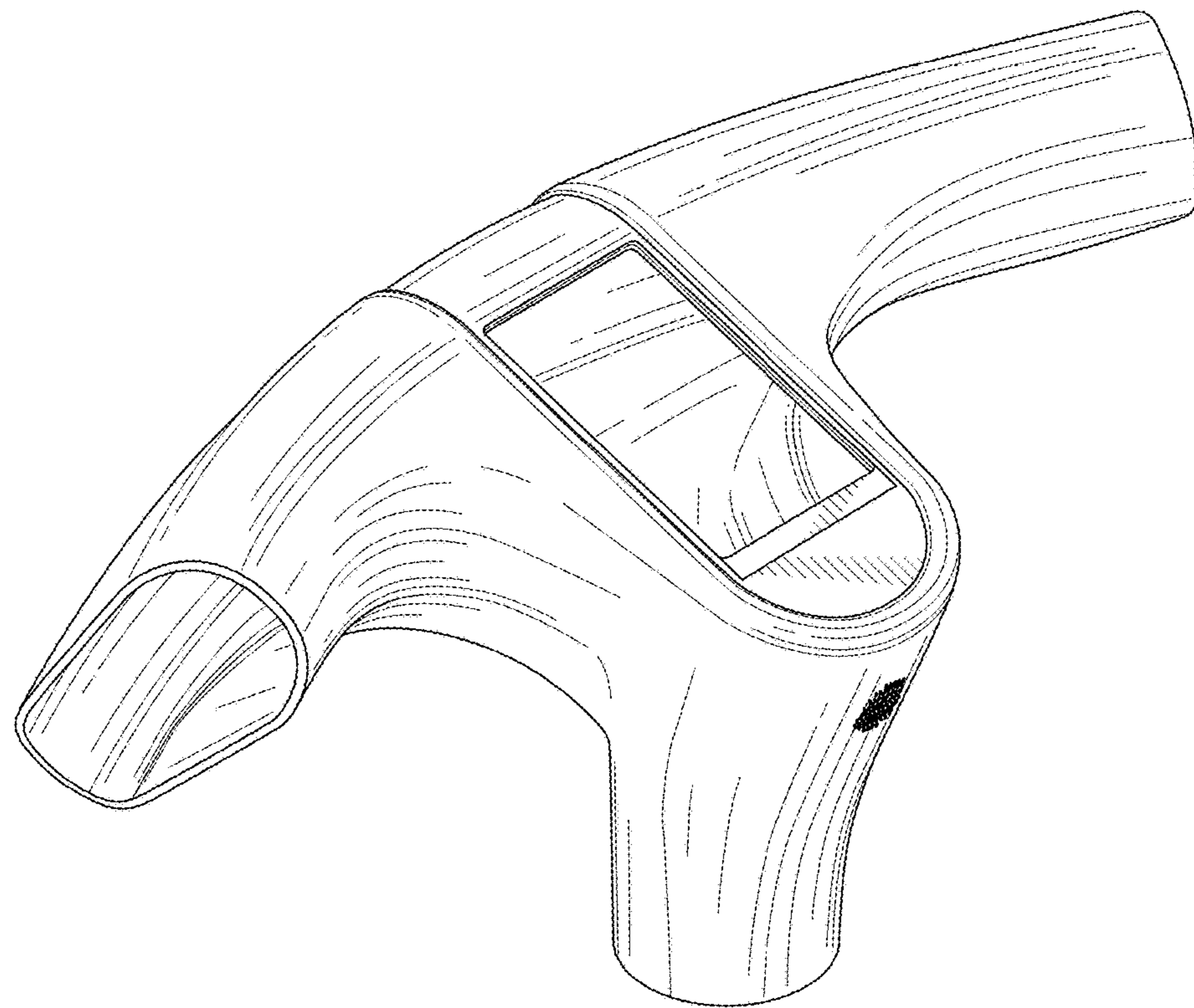


FIG. 7

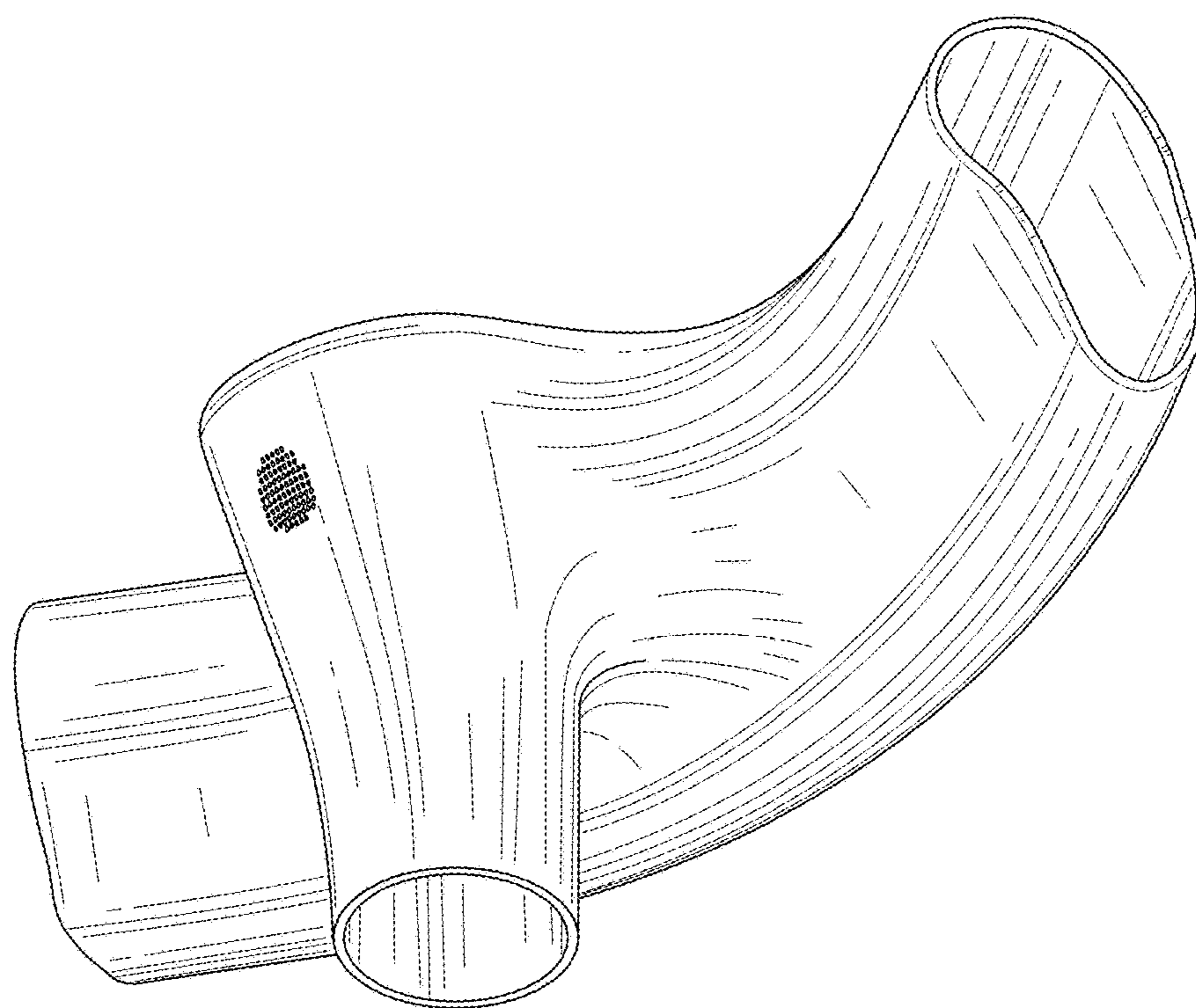


FIG. 8

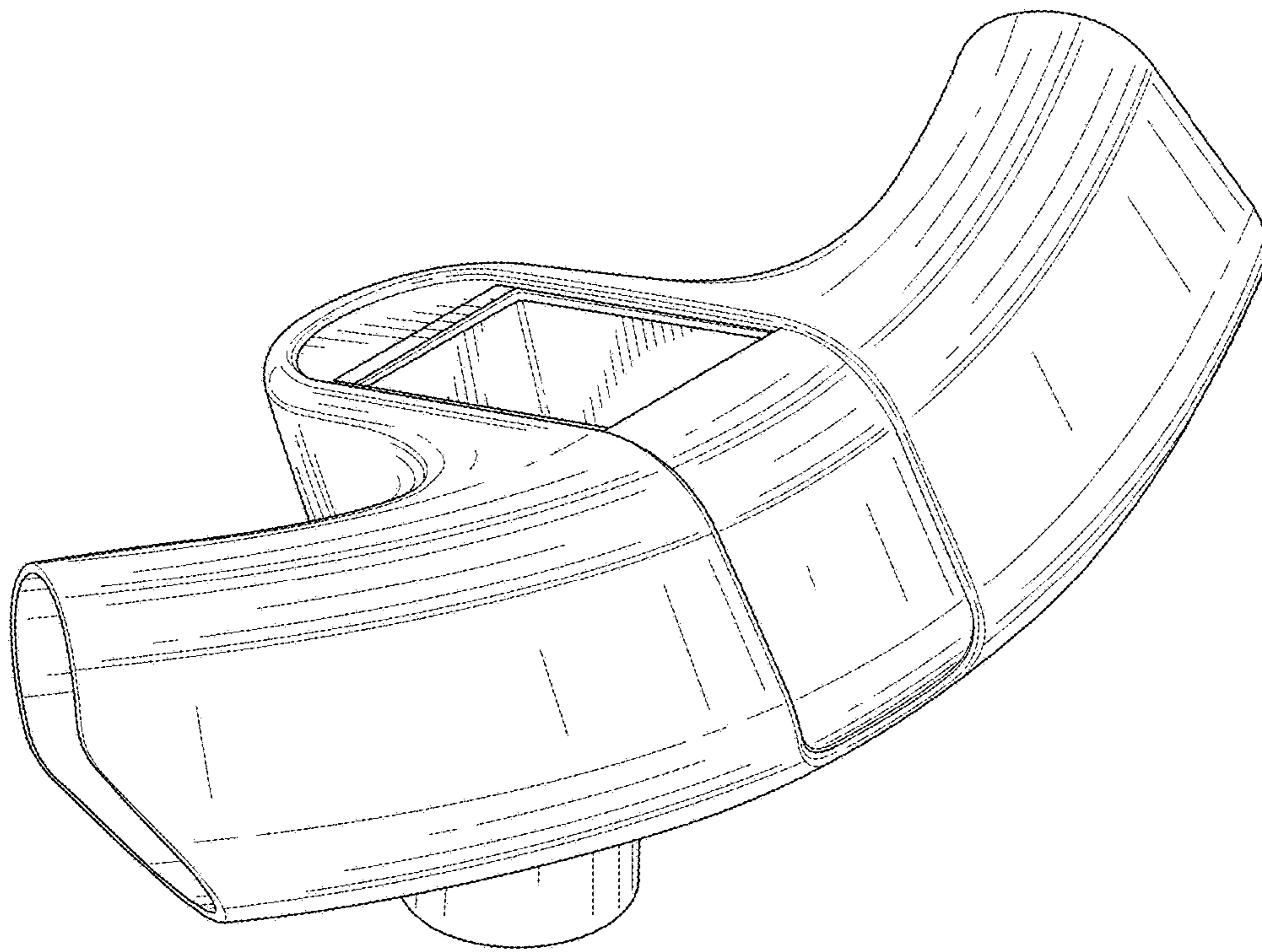


FIG. 9

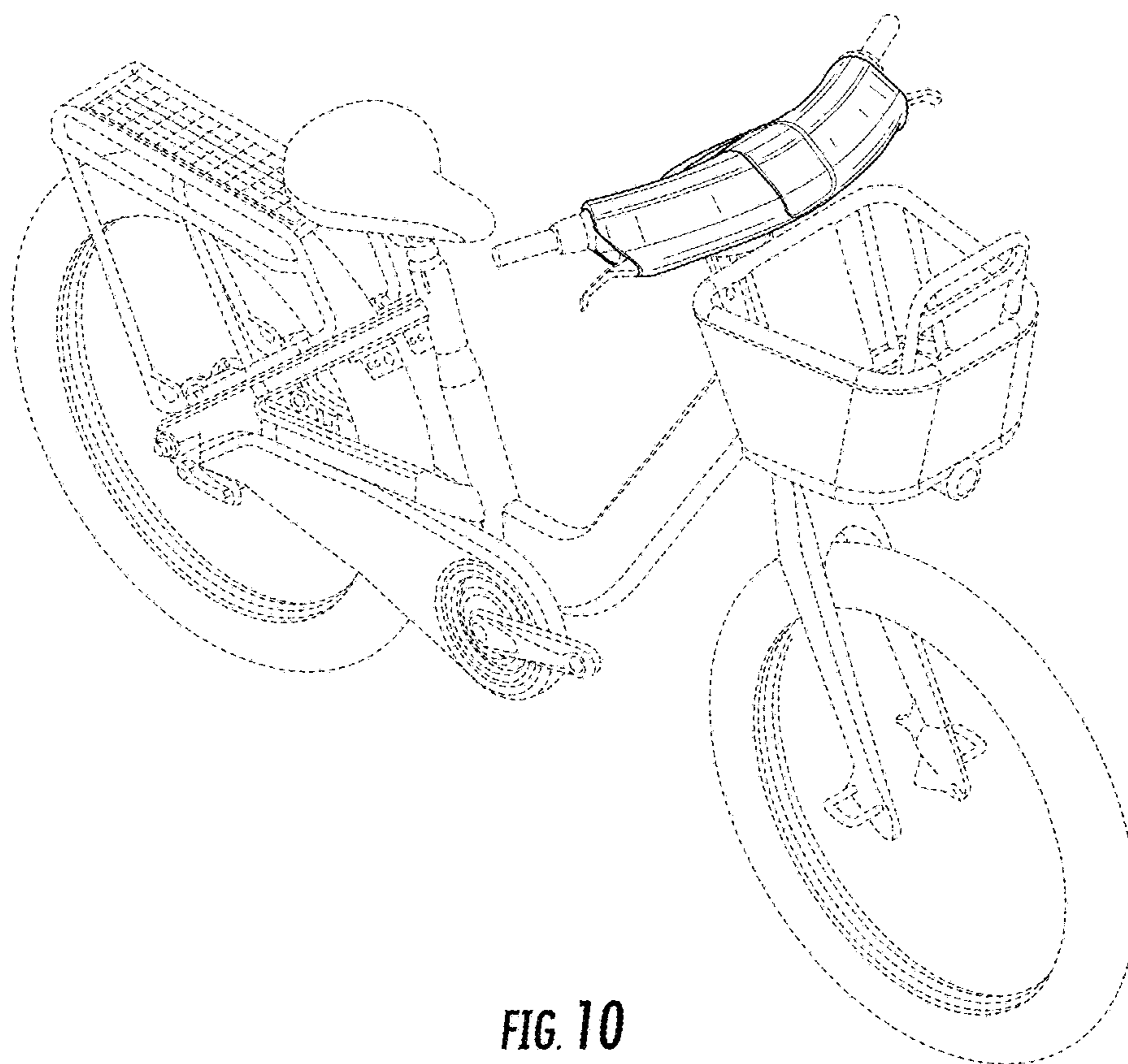


FIG. 10

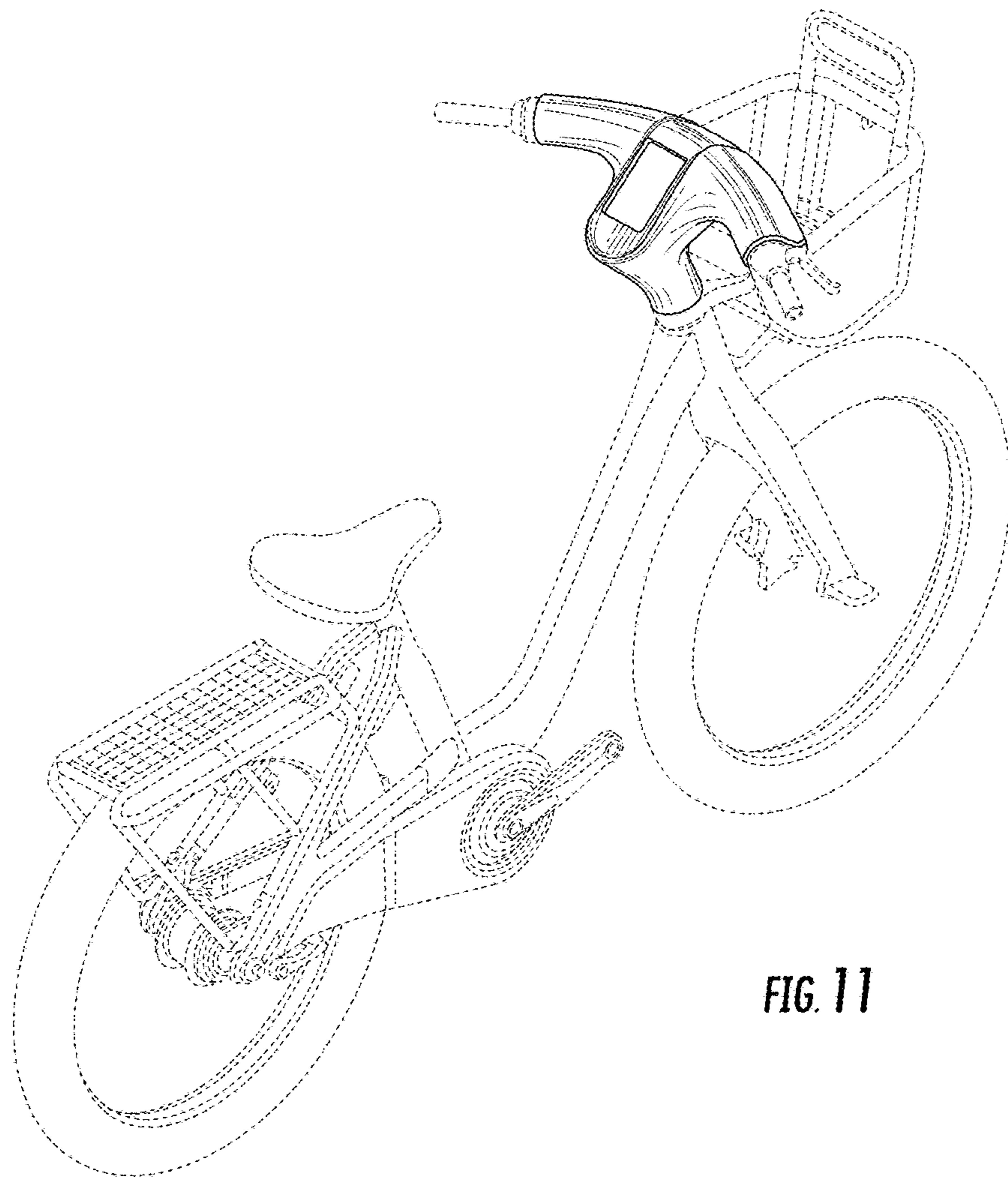


FIG. 11