



US00D852674S

(12) **United States Design Patent** (10) **Patent No.:** **US D852,674 S**
Wilcox et al. (45) **Date of Patent:** **** Jul. 2, 2019**

(54) **UTILITY VEHICLE**

(71) Applicant: **Polaris Industries Inc**, Medina, MN (US)

(72) Inventors: **Steven D. Wilcox**, Maple Grove, MN (US); **Michael J. Hanten**, Delano, MN (US); **Bryce A. Holm**, Luck, WI (US)

(73) Assignee: **Polaris Industries Inc.**, Medina, MN (US)

(**) Term: **15 Years**

(21) Appl. No.: **29/598,060**

(22) Filed: **Mar. 22, 2017**

(51) **LOC (11) Cl.** **12-08**

(52) **U.S. Cl.**
USPC **D12/87**; D12/14

(58) **Field of Classification Search**
USPC D12/3, 4, 5, 14, 85, 86, 87, 107, 110
CPC B62D 23/00; B62D 21/18; B62D 21/183;
B62D 24/02; B62D 25/00; B62D 39/00;
B62D 49/06; B62D 49/0621
See application file for complete search history.

(56) **References Cited**

U.S. PATENT DOCUMENTS

D622,631 S *	8/2010	Lai	D12/87
D625,662 S *	10/2010	Li	D12/87
D631,395 S *	1/2011	Tandrup	D12/14
D636,704 S *	4/2011	Yoo	D12/1
7,950,486 B2 *	5/2011	Van Bronkhorst ..	B60G 15/063 180/89.11
D640,598 S *	6/2011	Zhang	D12/1
D642,493 S *	8/2011	Goebert	D12/87
D646,200 S *	10/2011	Zhang	D12/1
D646,603 S *	10/2011	Zhang	D12/1
D650,311 S *	12/2011	Bracy	D12/87
D652,348 S *	1/2012	King	D12/14
D660,746 S *	5/2012	Bracy	D12/87

D679,627 S *	4/2013	Li	D12/14
D682,737 S *	5/2013	Li	D12/14
D682,738 S *	5/2013	Li	D12/14
D694,668 S *	12/2013	Li	D12/14
D699,627 S *	2/2014	Tang	D12/14
D711,778 S *	8/2014	Chun	D12/14

(Continued)

FOREIGN PATENT DOCUMENTS

CA	177158	8/2018
CN	ZL201730435490	4/2018

(Continued)

OTHER PUBLICATIONS

International Search Report issued by the European Patent Office, dated May 14, 2018, for International Patent Application No. PCT/US2017/054006; 6 pages.

(Continued)

Primary Examiner — Darlington Ly

(74) *Attorney, Agent, or Firm* — Faegre Baker Daniels LLP

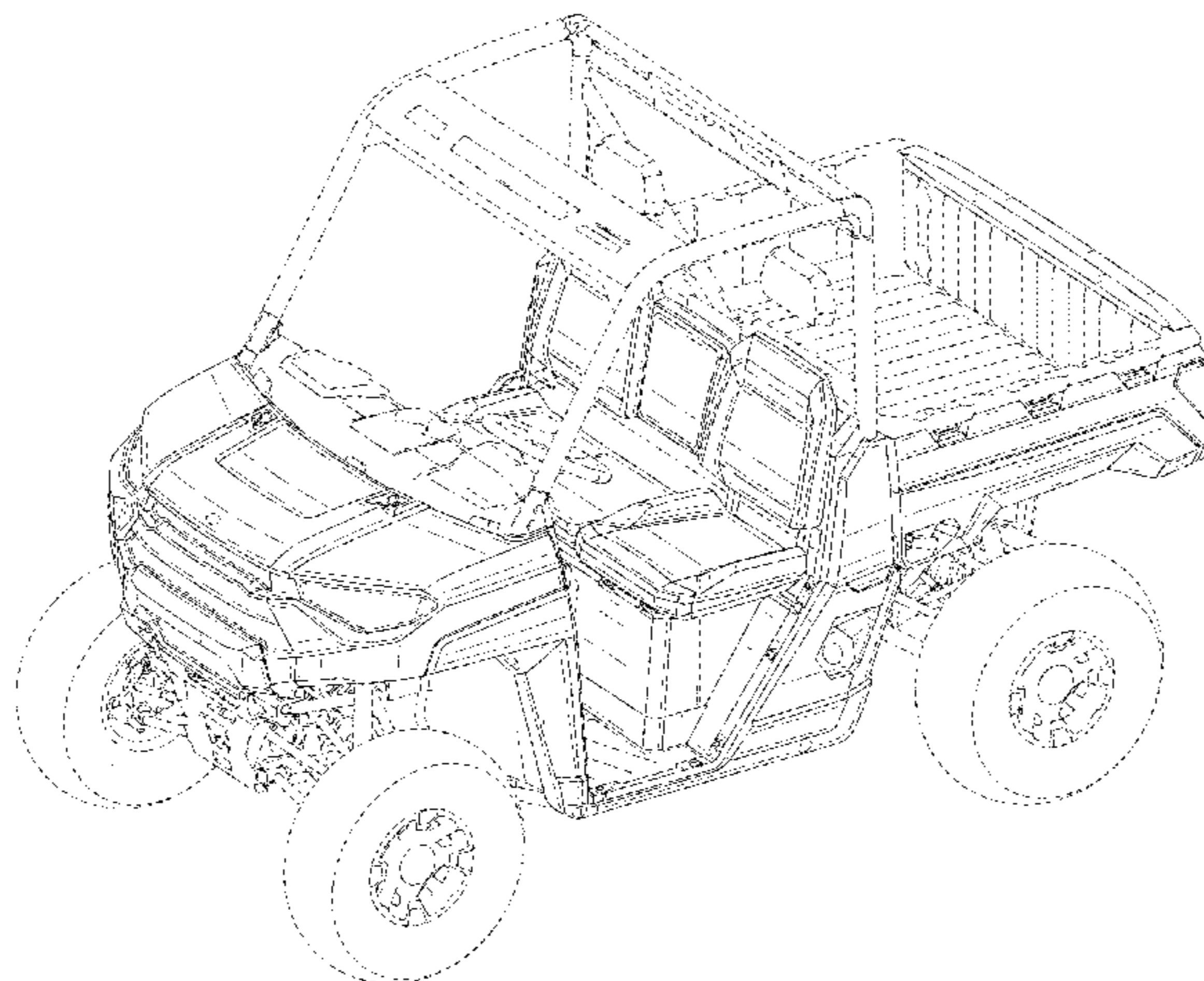
(57) **CLAIM**

The ornamental design for a utility vehicle, as shown and described.

DESCRIPTION

FIG. 1 is a top, front, and left side perspective view of a utility vehicle showing our new design; FIG. 2 is a top, rear, and right side perspective view thereof; FIG. 3 is a left side elevation view thereof; FIG. 4 is a right side elevation view thereof; FIG. 5 is a top plan view thereof; FIG. 6 is a front elevation view thereof; and, FIG. 7 is a rear elevation view thereof. The portions of the utility vehicle shown in broken lines form no part of the claimed design.

1 Claim, 7 Drawing Sheets



(56)

References Cited

U.S. PATENT DOCUMENTS

D712,309 S * 9/2014 Wu D12/14
 D714,186 S * 9/2014 Wu D12/14
 D716,694 S * 11/2014 Higashikawa D12/14
 8,973,693 B2 * 3/2015 Kinsman B60R 21/13
 180/89.1
 8,997,908 B2 * 4/2015 Kinsman B62D 21/183
 180/89.1
 D735,077 S * 7/2015 Sato D12/87
 D737,724 S * 9/2015 Schroeder D12/14
 D755,077 S * 5/2016 Lyons D12/14
 D756,845 S * 5/2016 Flores D12/14
 D762,517 S * 8/2016 Hashimoto D12/14
 D764,350 S * 8/2016 Okuyama D12/14
 D764,974 S * 8/2016 Mikhailov D12/14
 D767,444 S 9/2016 Chun
 D785,502 S * 5/2017 Dunshee D12/14
 9,650,078 B2 * 5/2017 Kinsman B62D 21/183
 9,725,023 B2 * 8/2017 Miller B60P 1/04
 D800,015 S * 10/2017 Lyons D12/16
 2002/0074852 A1 6/2002 Scrivens
 2007/0021222 A1 1/2007 Voigt

2007/0026954 A1 1/2007 Langer
 2007/0181358 A1 8/2007 Nakagaki
 2010/0317485 A1 * 12/2010 Gillingham B60K 1/04
 477/7
 2011/0115259 A1 * 5/2011 Mizuta B62D 25/12
 296/193.11
 2014/0144719 A1 * 5/2014 Morgan B60K 1/00
 180/65.31
 2018/0178858 A1 6/2018 Hollman

FOREIGN PATENT DOCUMENTS

EM 004169266-0001 8/2017
 EP 1479933 11/2004
 FR 2891330 3/2007
 WO WO 2018/118176 6/2018

OTHER PUBLICATIONS

Written Opinion issued by the European Patent Office, dated May 14, 2018, for International Patent Application No. PCT/US2017/054006; 9 pages.

* cited by examiner

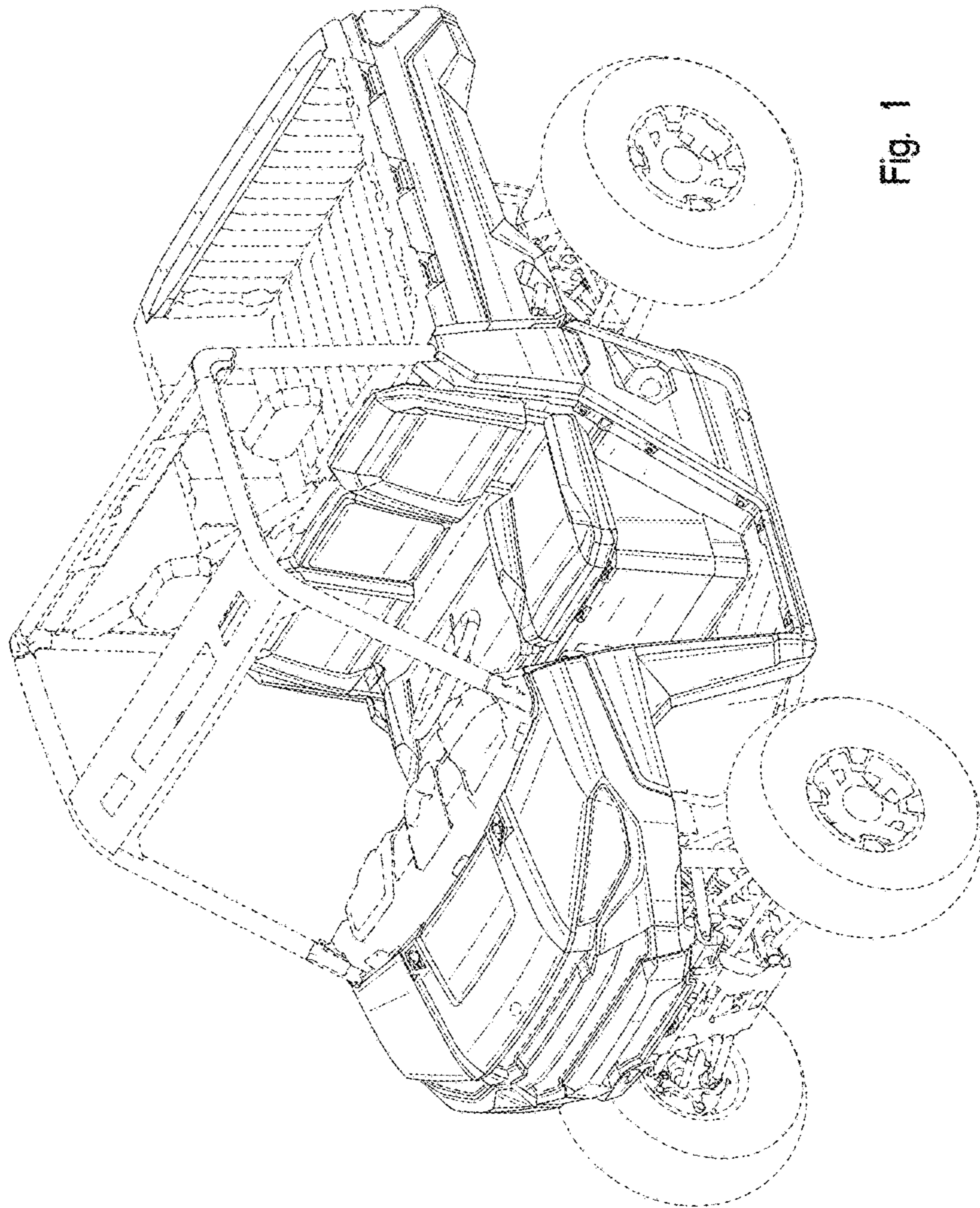


Fig. 1

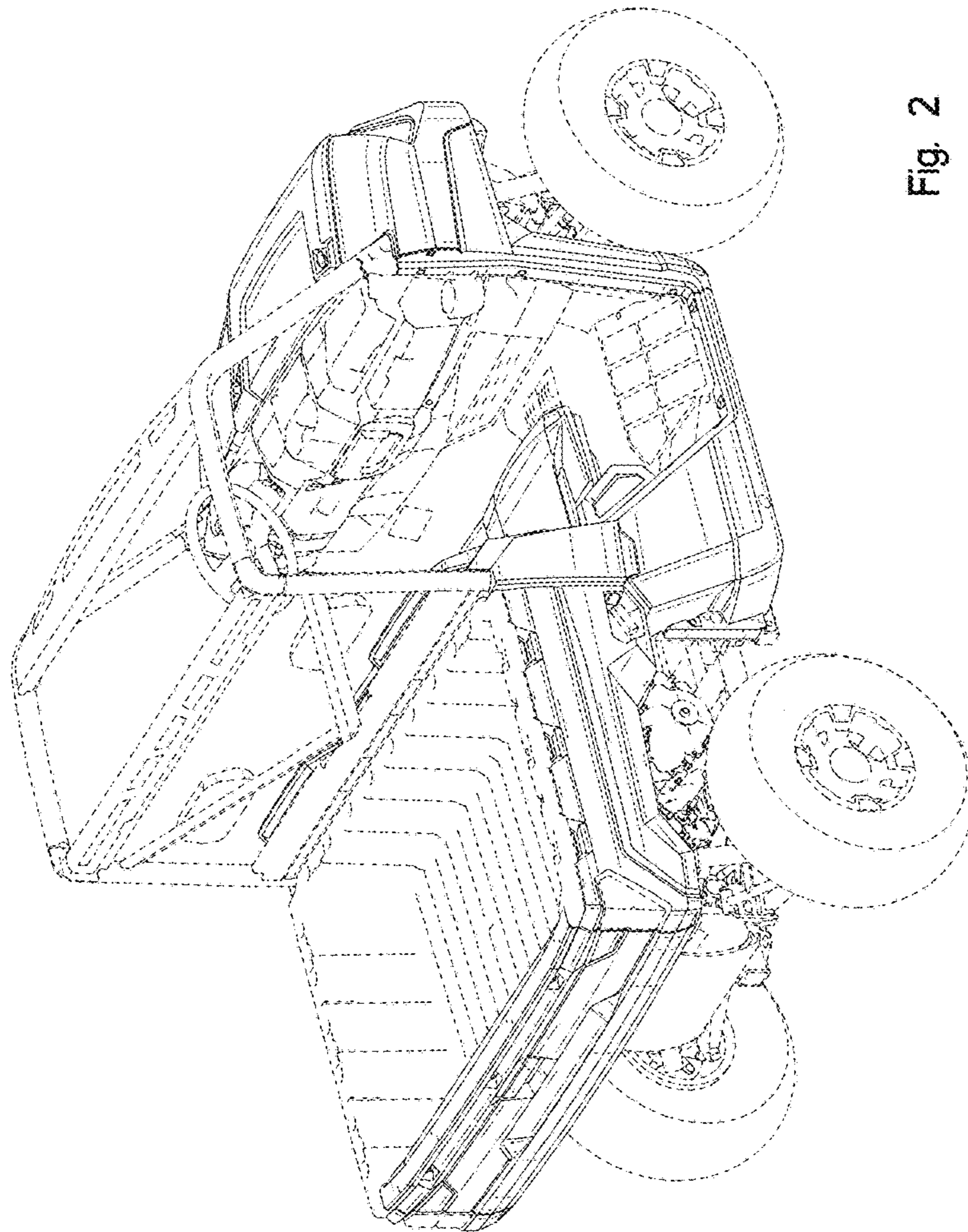


Fig. 2

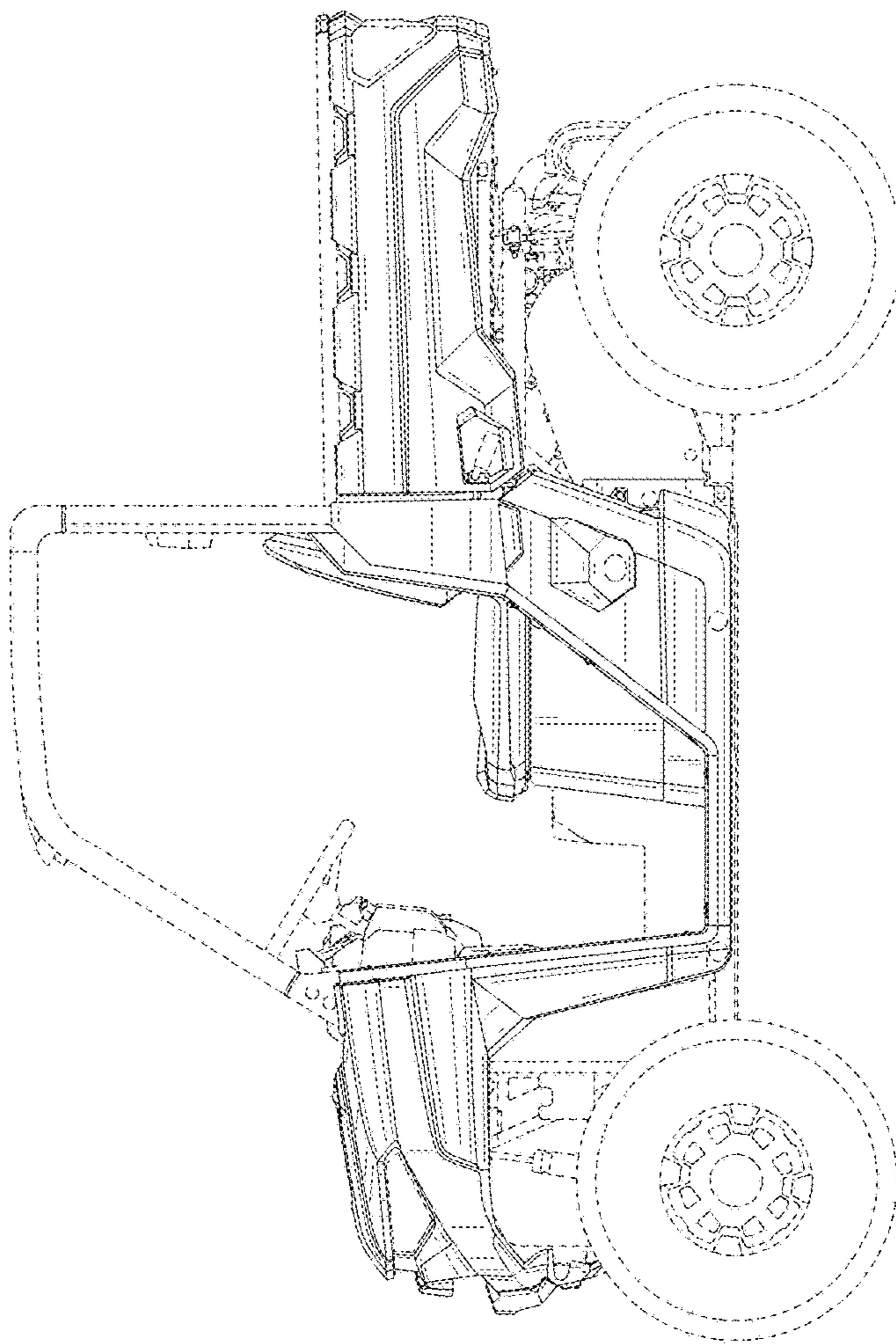


Fig. 3

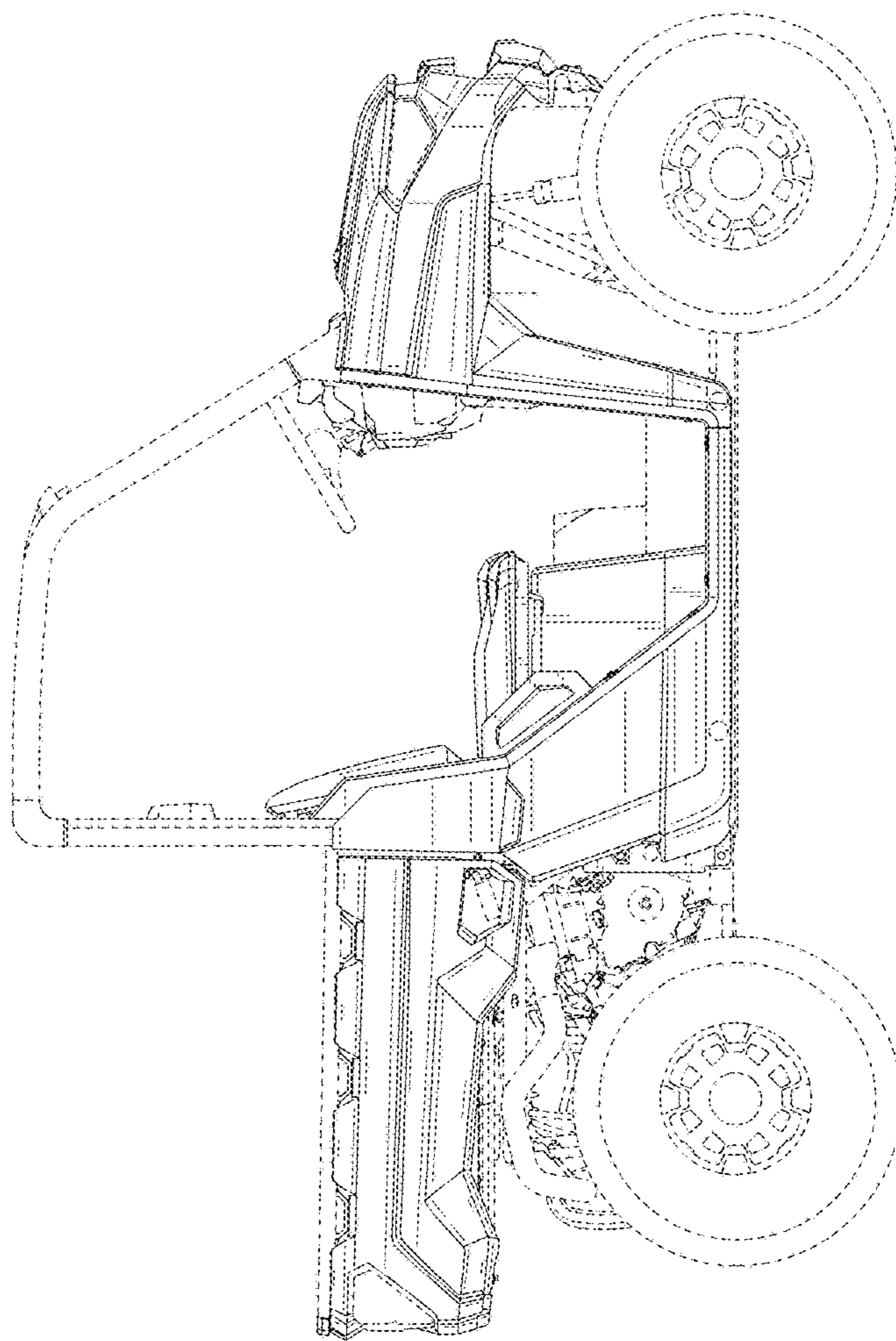


Fig. 4

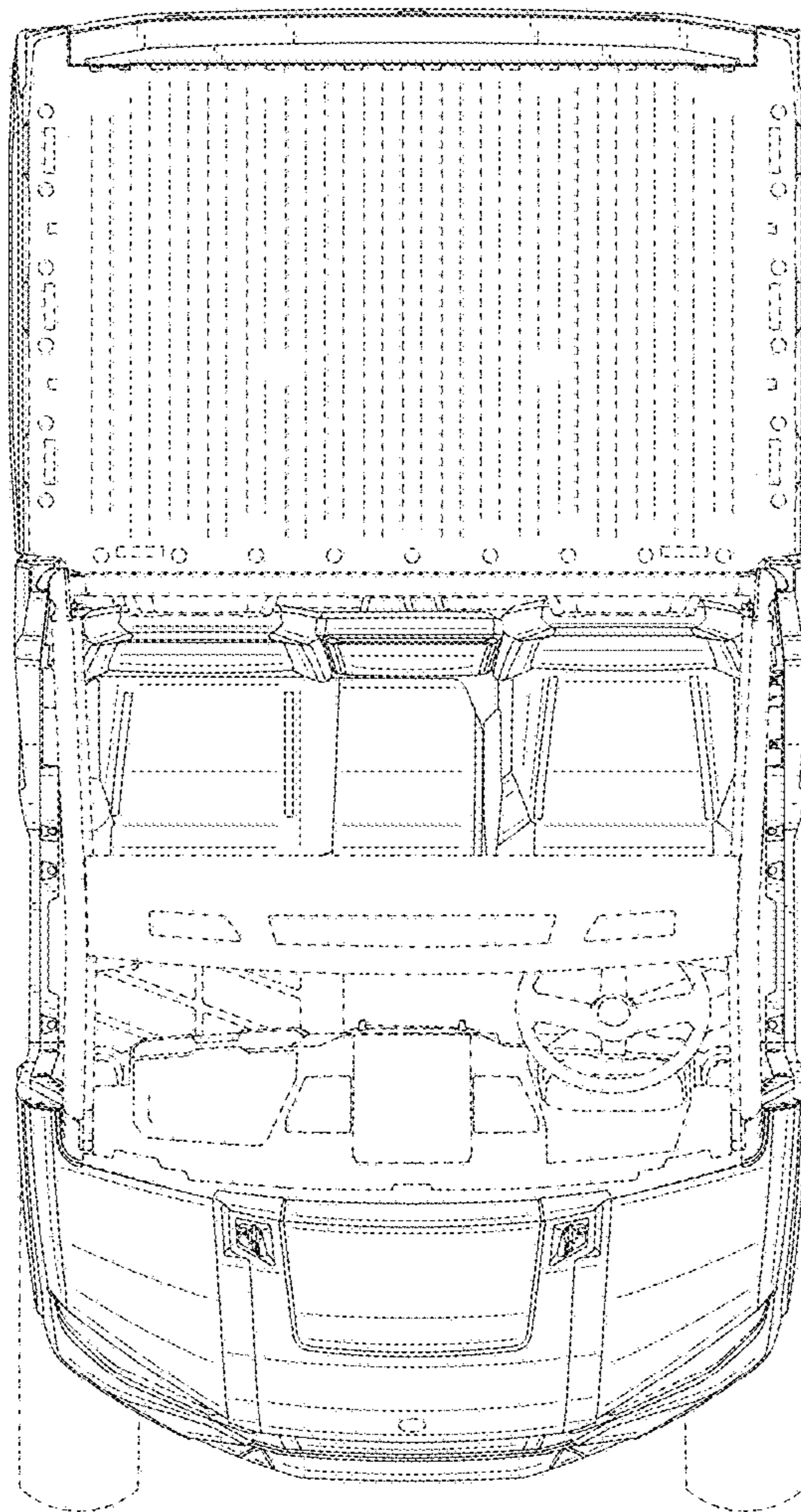


Fig. 5

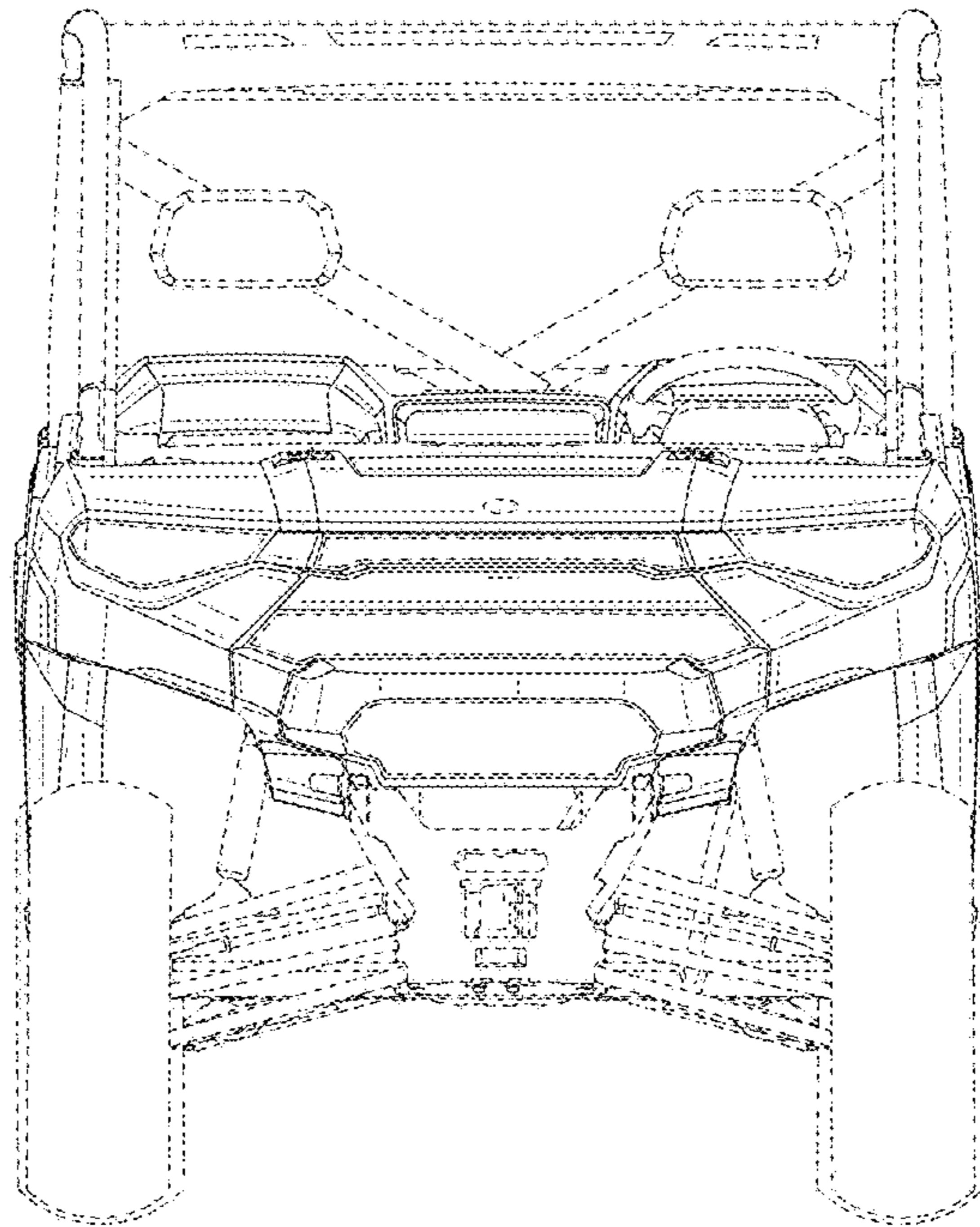


Fig. 6

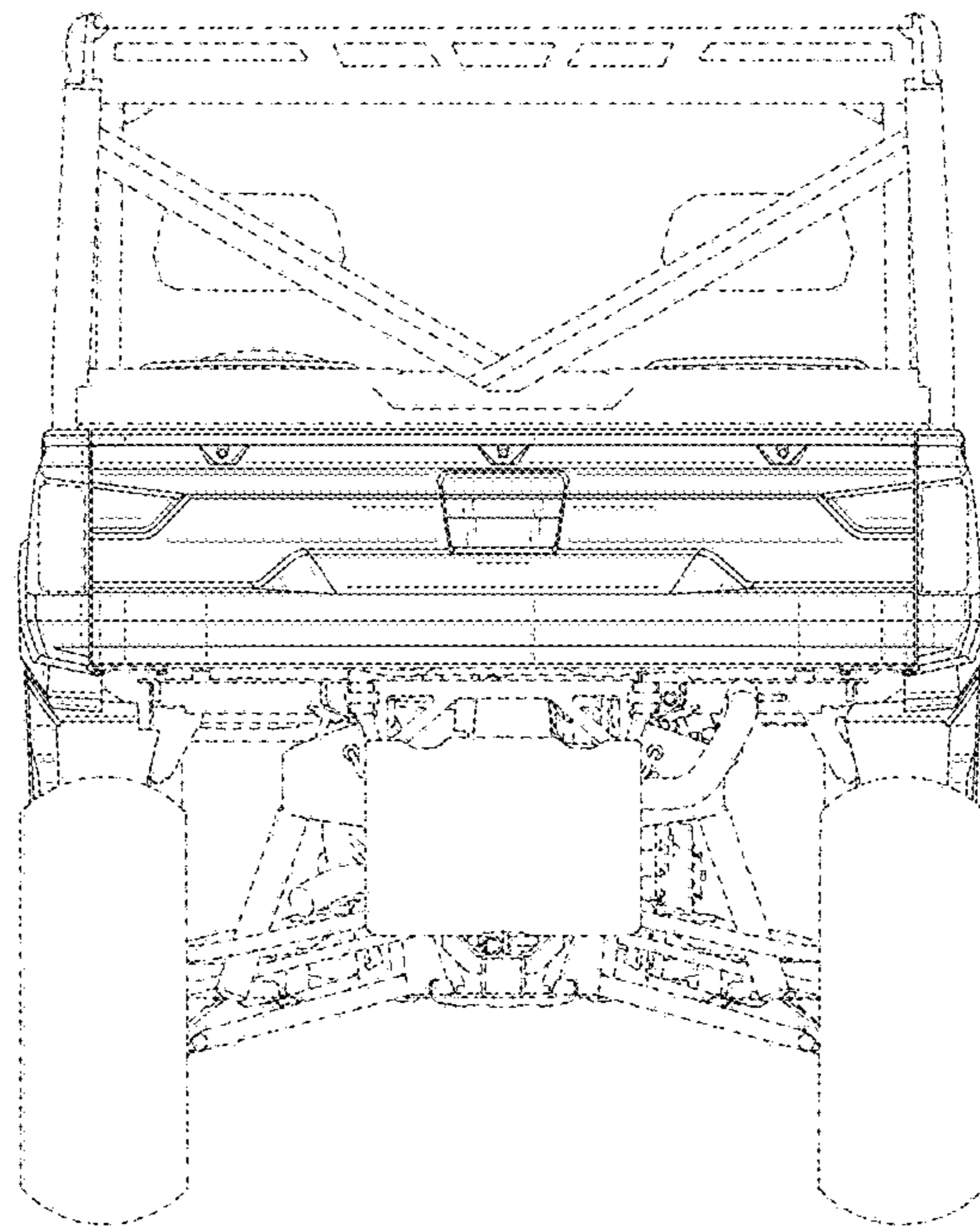


Fig. 7