

US00D852669S

(12) **United States Design Patent** (10) **Patent No.:** **US D852,669 S**
Bohs (45) **Date of Patent:** **** Jul. 2, 2019**

(54) **MEMORY RIBBON**
(71) Applicant: **Linda Louise Bohs**, Eldred, NY (US)
(72) Inventor: **Linda Louise Bohs**, Eldred, NY (US)
(**) Term: **15 Years**
(21) Appl. No.: **29/568,453**
(22) Filed: **Jun. 17, 2016**
(51) **LOC (11) Cl.** **11-01**
(52) **U.S. Cl.**
USPC **D11/48; D11/77**
(58) **Field of Classification Search**
USPC ... D11/1, 2, 7, 8, 40-45, 47, 48, 66, 69, 70,
D11/74, 75, 76, 77, 78, 79-85, 97, 98,
D11/99, 184
CPC .. A44C 1/00; A44C 3/00; A44C 3/001; A44C
3/002; A44C 3/004; A44C 3/005; A44C
3/007; A44C 3/008
See application file for complete search history.

(56) **References Cited**
U.S. PATENT DOCUMENTS
D129,851 S * 10/1941 Philippe D11/77
D149,020 S * 3/1948 Philippe D11/77
D378,904 S * 4/1997 Sciuto D11/66
D455,978 S * 4/2002 Brown D11/98

D525,897 S * 8/2006 Raiman D11/43
D552,009 S * 10/2007 Jemente D11/79
D639,700 S * 6/2011 Adams D11/95
D656,067 S * 3/2012 Dunn D11/184
D703,573 S * 4/2014 Koyne D11/48
D726,570 S * 4/2015 Puterman D11/3
D761,686 S * 7/2016 Conner D11/184
D764,345 S * 8/2016 Burns D11/40

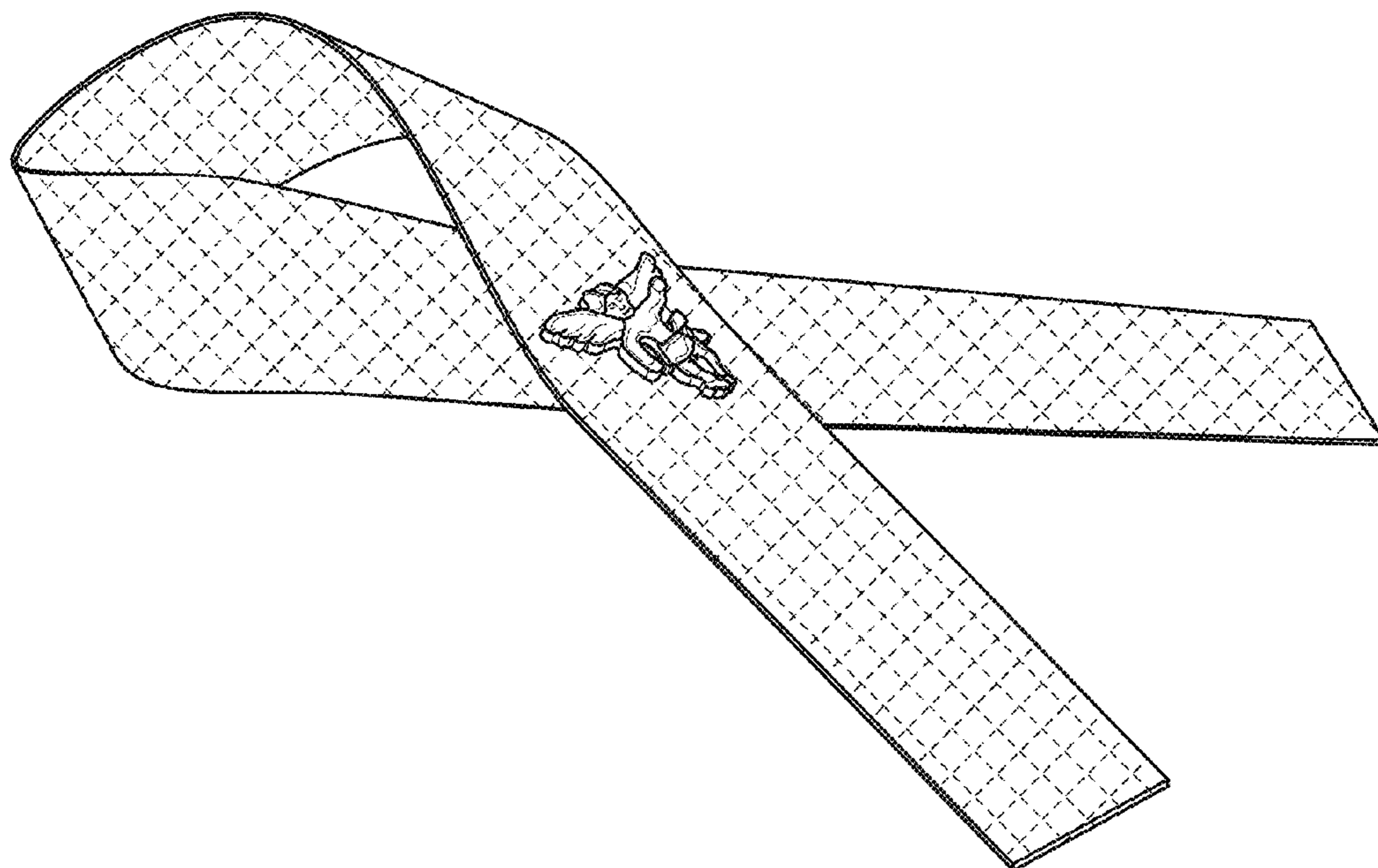
* cited by examiner

Primary Examiner — Melanie Pellegrini
(74) *Attorney, Agent, or Firm* — Quickpatents, LLC;
Kevin Prince

(57) **CLAIM**
I claim the ornamental design for a memory ribbon, as shown and described.

DESCRIPTION
FIG. 1 is a front perspective view of a memory ribbon, showing my new design;
FIG. 2 is a bottom plan view thereof;
FIG. 3 is a top plan view thereof;
FIG. 4 is a left-side elevational view thereof;
FIG. 5 is a right-side elevational view thereof;
FIG. 6 is a front elevational view thereof; and,
FIG. 7 is a rear elevational view thereof.
The broken lines in FIG. 7 depict environmental matter and form no part of the claimed design. The ribbon is shaded for the color orange.

1 Claim, 5 Drawing Sheets



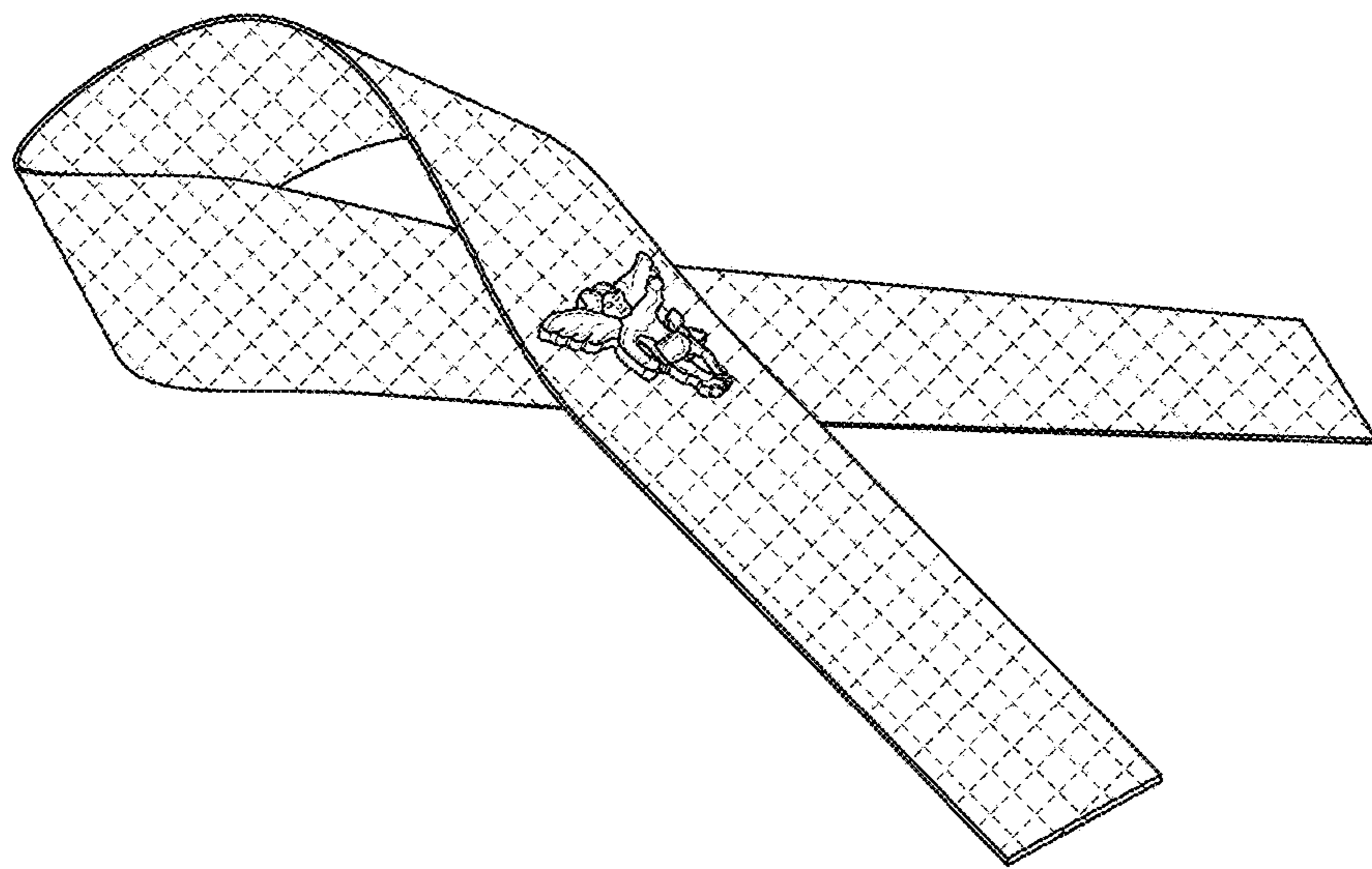


FIG. 1



FIG. 2

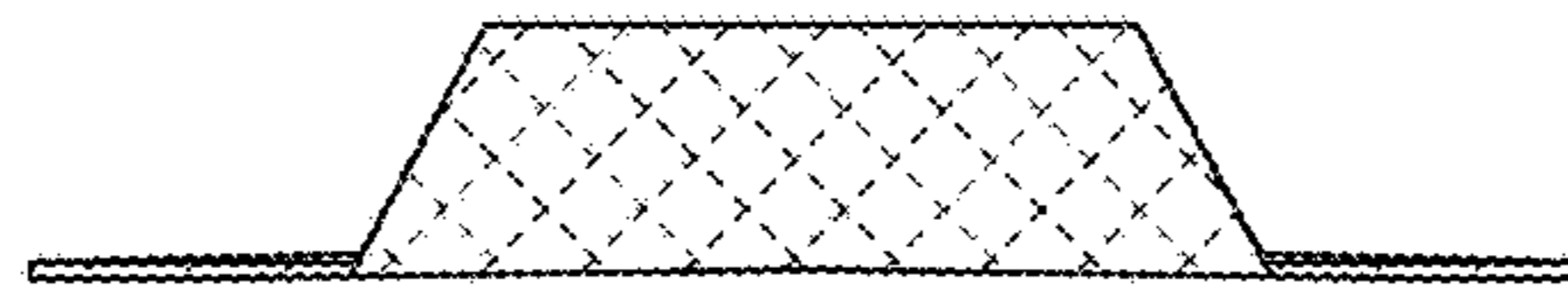


FIG. 3

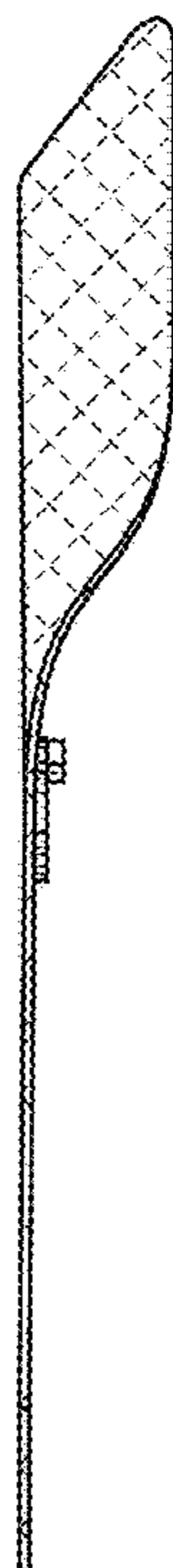


FIG. 4



FIG. 5

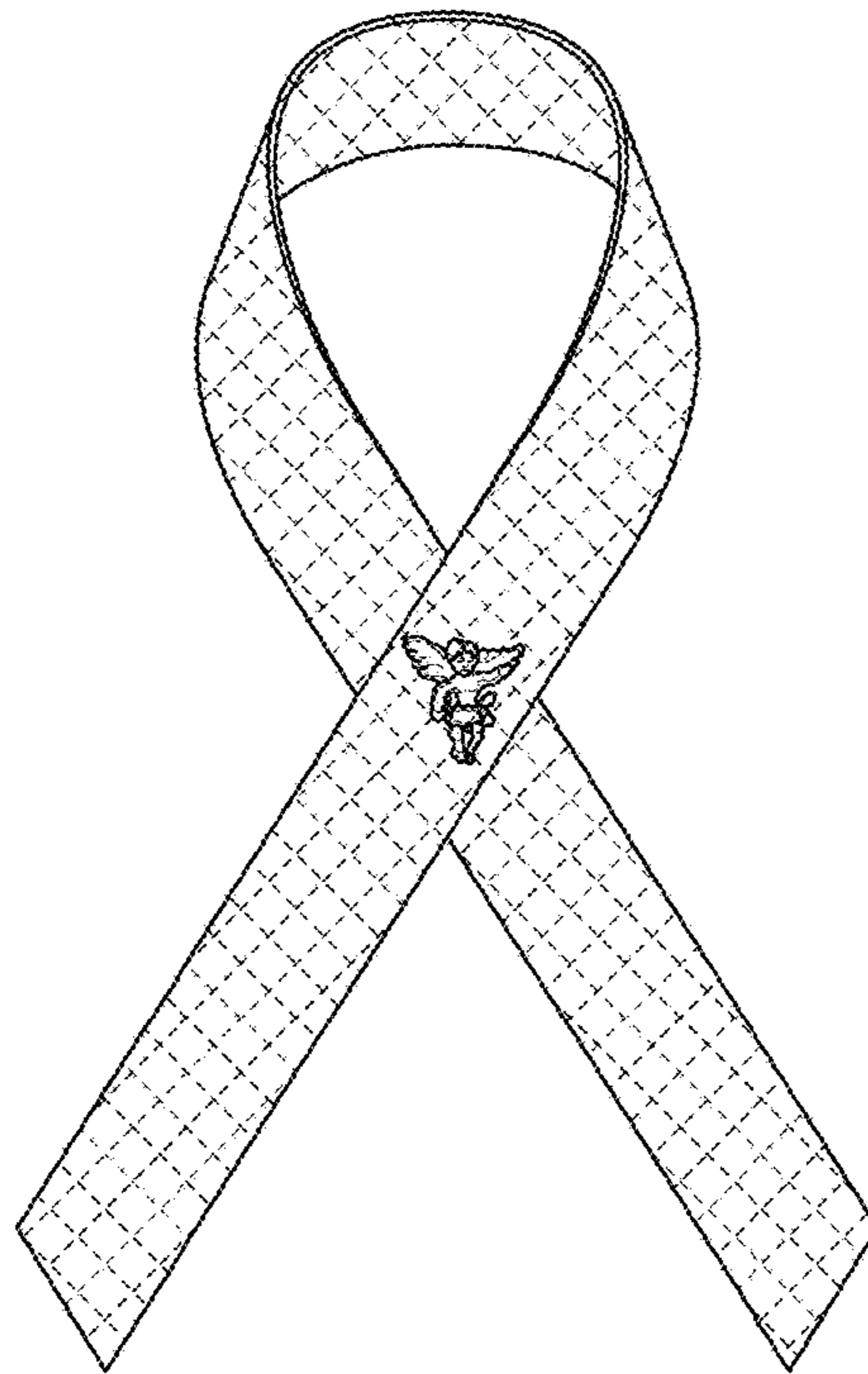


FIG. 6

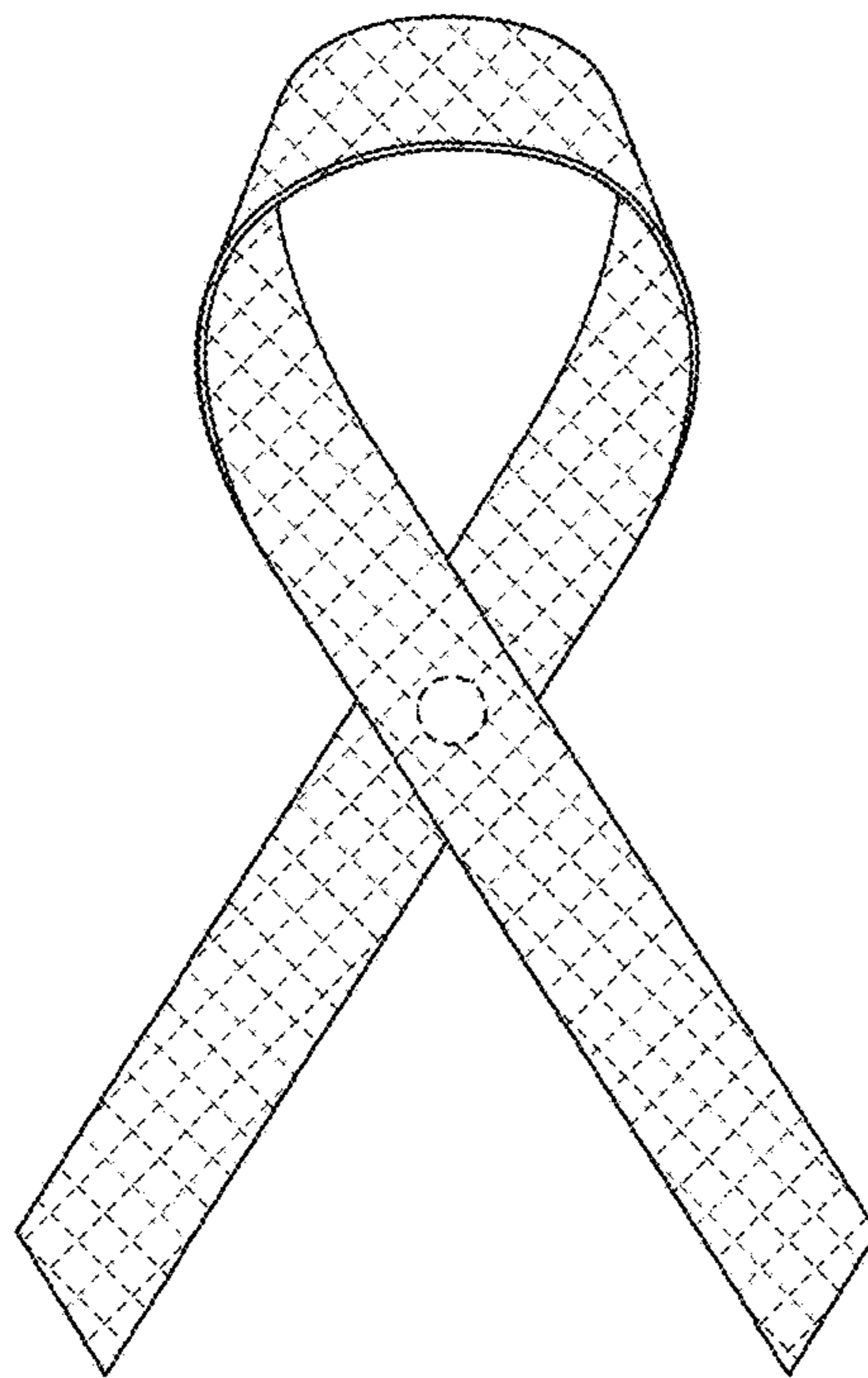


FIG. 7