



US00D852666S

(12) **United States Design Patent**
Akana et al.

(10) **Patent No.:** **US D852,666 S**
(45) **Date of Patent:** **** Jul. 2, 2019**

(54) **BAND**

(71) Applicant: **Apple Inc.**, Cupertino, CA (US)

(72) Inventors: **Jody Akana**, San Francisco, CA (US);
Bartley K. Andre, Palo Alto, CA (US);
Shota Aoyagi, San Francisco, CA (US);
Anthony Michael Ashcroft, San Francisco, CA (US);
Jeremy Bataillou, San Francisco, CA (US);
Daniel J. Coster, San Francisco, CA (US);
Daniele De Iuliis, San Francisco, CA (US);
M. Evans Hankey, San Francisco, CA (US);
Julian Hoenig, San Francisco, CA (US);
Richard P. Howarth, San Francisco, CA (US);
Jonathan P. Ive, San Francisco, CA (US);
Duncan Robert Kerr, San Francisco, CA (US);
Marc A. Newson, London (GB);
Matthew Dean Rohrbach, San Francisco, CA (US);
Peter Russell-Clarke, San Francisco, CA (US);
Benjamin Andrew Shaffer, San Jose, CA (US);
Mikael Silvano, San Francisco, CA (US);
Christopher J. Stringer, Woodside, CA (US);
Eugene Antony Whang, San Francisco, CA (US);
Rico Zörkendörfer, San Francisco, CA (US)

(73) Assignee: **Apple Inc.**, Cupertino, CA (US)

(**) Term: **15 Years**

(21) Appl. No.: **29/676,398**

(22) Filed: **Jan. 10, 2019**

Related U.S. Application Data

(63) Continuation of application No. 29/595,119, filed on Feb. 24, 2017, which is a continuation of application No. 29/519,227, filed on Mar. 3, 2015, now Pat. No. Des. 779,990, which is a continuation of application No. 29/498,997, filed on Aug. 11, 2014, now Pat. No.

Des. 727,199, and a continuation of application No. 29/557,337, filed on Mar. 8, 2016, which is a continuation of application No. 29/524,102, filed on Apr. 16, 2015, now Pat. No. Des. 755,074, which is a continuation of application No. 29/498,997, filed on Aug. 11, 2014.

(51) **LOC (11) Cl.** **11-01**

(52) **U.S. Cl.**
USPC **D11/13**

(58) **Field of Classification Search**

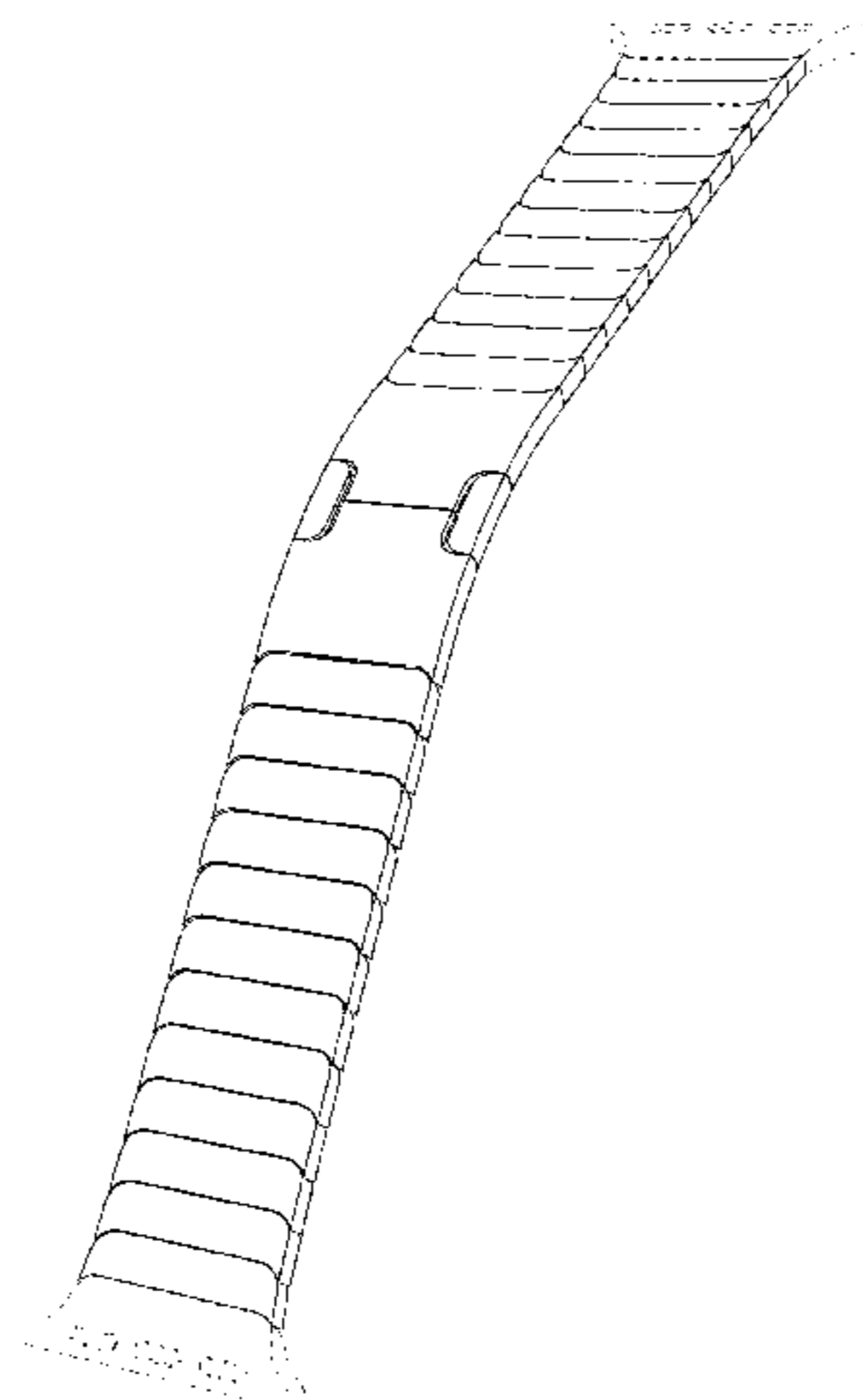
USPC D11/1-25, 86, 93, 94; D10/30-39, 70, D10/46; 24/456, 574.1; 600/301; 224/164, 175; 368/276, 281, 282, 285
CPC G04B 37/1486; G04B 37/16; G04B 37/18; A44C 5/14; A44C 5/0053; A44C 5/0069; A44C 5/0076; A44C 5/00; A44C 5/0007; A44C 5/0015; A44C 5/0023; A44C 5/003; A44C 5/0061; A44C 5/12; A44C 5/147; A44C 5/18; A44C 5/185

See application file for complete search history.

(56) **References Cited**

U.S. PATENT DOCUMENTS

1,712,564 A	5/1929	Jones	
1,712,582 A	5/1929	Renz	
1,738,407 A *	12/1929	Tost	A44C 5/02 59/80
1,740,894 A	12/1929	Johnson	
1,760,662 A	5/1930	Prestinari	
1,764,440 A	6/1930	Gammell et al.	
1,784,582 A	12/1930	Doppenschmitt	
1,786,943 A	12/1930	Gammell	
3,030,686 A	4/1962	Burkhardt	
3,372,500 A *	3/1968	Bernard	A44C 5/0015 283/900
3,665,565 A	5/1972	Kruger	
3,675,284 A	7/1972	Rieth	
3,914,933 A	10/1975	Carlone	
3,948,037 A	4/1976	Carlone et al.	
3,994,126 A	11/1976	Rieth	
D249,244 S	9/1978	Salter	
4,125,920 A	11/1978	Grimes	
D250,634 S	12/1978	Porsche	
D251,829 S	5/1979	Sulek	
D256,568 S	8/1980	Young	
4,266,400 A	5/1981	Tabata	



US D852,666 S

D287,705 S	1/1987	Malamoud	
4,681,461 A	7/1987	Gogniat	
5,239,521 A	8/1993	Blonder	
D339,309 S	9/1993	Butler	
5,363,351 A	11/1994	Carney	
5,441,686 A	8/1995	Jackl et al.	
D408,301 S	4/1999	Porsche et al.	
D424,952 S	5/2000	Porsche et al.	
6,101,842 A	8/2000	Delacretaz	
6,198,698 B1	3/2001	Graves	
D473,818 S	4/2003	Salvisberg	
D488,392 S	4/2004	Tschumi	
D494,098 S	8/2004	Cohen	
6,782,690 B2	8/2004	Kwan	
D510,049 S *	9/2005	Monachon	D11/3
7,013,631 B2	3/2006	Carrola	
D575,656 S *	8/2008	Scholpp	D11/3
D576,509 S *	9/2008	Scholpp	D11/3
D581,811 S	12/2008	Messmer et al.	
D584,170 S	1/2009	Morrison	
D588,472 S	3/2009	Messmer et al.	
D631,761 S	2/2011	Barbier	
D642,074 S	7/2011	Chastaingt	
D671,015 S	11/2012	Monachon	
D674,710 S	1/2013	Monachon	
8,601,784 B2	12/2013	Kaltenrieder	
D704,077 S	5/2014	Monachon	
D720,630 S	1/2015	Nashimoto	
D723,946 S	3/2015	Soares	
D724,469 S	3/2015	Akana et al.	
D727,197 S	4/2015	Akana et al.	
D727,198 S	4/2015	Akana et al.	
D727,199 S	4/2015	Akana et al.	
D727,787 S	4/2015	Akana et al.	
D731,346 S	6/2015	Akana et al.	
D736,664 S	8/2015	Paradise et al.	
D737,156 S	8/2015	Akana et al.	
D737,157 S	8/2015	Akana et al.	
D737,158 S	8/2015	Akana et al.	
D739,780 S	9/2015	Akana et al.	
D745,421 S	12/2015	Akana et al.	
D746,718 S	1/2016	Akana et al.	
D749,450 S	2/2016	Akana et al.	
D755,074 S *	5/2016	Akana	D11/94
D766,752 S *	9/2016	Akana	D10/30
9,486,042 B2	11/2016	Isaacs et al.	
9,553,625 B2	1/2017	Hatanaka et al.	
D779,990 S	2/2017	Akana et al.	
D779,992 S	2/2017	Akana et al.	
D782,335 S *	3/2017	White	D10/32
D784,327 S	4/2017	Akana et al.	
D785,469 S	5/2017	Grcic	
9,690,258 B2	6/2017	Wilson et al.	
9,720,376 B2	8/2017	Tsushima et al.	
9,766,589 B2	9/2017	Lee et al.	
9,798,356 B2	10/2017	Nakayama et al.	
D805,929 S *	12/2017	Akana	D10/70
D813,705 S	3/2018	Ferguson et al.	
9,949,537 B2	4/2018	Hatanaka et al.	
D818,864 S	5/2018	Yu et al.	
9,977,461 B2	5/2018	Grifoni et al.	
D820,140 S	6/2018	Register et al.	
D834,446 S	11/2018	Akana et al.	
D839,120 S *	1/2019	Hou	D11/3
D841,005 S *	2/2019	Lin	D14/344
2005/0207284 A1	9/2005	Hiranuma et al.	
2005/0210857 A1	9/2005	Carrola	
2012/0168471 A1	7/2012	Wilson	
2014/0096345 A1	4/2014	Tschumi	
2014/0098649 A1	4/2014	Tschumi	
2017/0086536 A1	3/2017	De Iuliis et al.	

FOREIGN PATENT DOCUMENTS

CN	2613171 Y	4/2004
CN	204336035 U	5/2015
CN	204807938 U	11/2015
CN	303928382 S	11/2016
CN	106200367 B	9/2018

CN	304852697 S	10/2018
EM	002734087-0002	9/2015
EM	002734087-0003	9/2015
EM	004411775-0001	10/2017
EM	004411775-0002	10/2017
EM	004411775-0003	10/2017
EM	004411775-0004	10/2017
EM	004411775-0005	10/2017
EM	004699213-0001	2/2018
EP	1136010 B1	11/2003
EP	2636328 A1	9/2013
GB	618917 A	3/1949
GB	2047514 A	12/1980
GB	2033807	3/1994
GB	2082277	6/1999
GB	2086601	11/1999
GB	2095450	12/2000
JP	D1038962	5/1999
JP	D1038963	5/1999
JP	D1088241	10/2000
JP	D1092722	12/2000
JP	D1095359	1/2001
JP	D1115866	7/2001
JP	D1130391	1/2002
JP	D1194393	1/2004
JP	D1231469	2/2005
JP	D1350052	2/2009
JP	D1350493	2/2009
JP	D1126997	11/2011
JP	5479052 B2	4/2014
JP	1570028 S	2/2017
KR	30-0298089	5/2002
KR	30-0476859	1/2008
KR	30-0476860	1/2008
TR	085324-0004	9/2015
TR	088502-0001	7/2016
TR	098231-0015	5/2018
WO	WO-9117679 A1	11/1991
WO	WO-DM/0033704-002	9/1995
WO	WO-DM/041969-001	1/1998
WO	WO-DM/047086-002	5/1999
WO	WO-DM/061681-002	12/2002
WO	WO-DM/063315-002	5/2003
WO	WO-DM/068937-006	6/2007
WO	WO-DM/070624-004	10/2008
WO	WO-DM071101	12/2008
WO	WO-DM/074430-001	11/2010
WO	WO-2013182397 A1	12/2013
WO	WO-D088502-0001	6/2016
WO	WO-2017017798 A1	2/2017
WO	WO-D098077-006	4/2018
WO	WO-D101140-006	6/2018
WO	WO-D101140-007	6/2018
WO	WO-D101418-001	11/2018

OTHER PUBLICATIONS

[Online] "38mm Link Bracelet" <https://www.apple.com/shop/product/MJ5G2ZM/A/38mm-link-bracelet?fnode=b77375c3b0e60223ce97d7b7d7ac136d497184505cd064e14d046f8f4c6d67bac44301dc8099fd95b29ea915c849645770e4108ca1a9f1daebd621a4204ac5e07d2676e2ffaa6b08de16836ed2efe72>. Retrieved Apr. 10, 2019.*

Ceramic Link Watch Bands, Retrieved on [Jan. 3, 2019], retrieved from the internet: URL: <https://www.epicwatchbands.com/products/ceramic-apple-watch-bands>).

Haedges, "1 Set Silver End Cap Clasp—Findings Large Toggle Clasp End Caps Buckle Connector with Five Inside Loops for Jewelry Making 26mm," < <http://www.etsy.com/listing/101269004/1-set-silver-end-cap-clasp-findings?ref=market>>, Listed on Aug. 29, 2014, accessed Oct. 9, 2014.

Ipod Nano Watch Band Metal, (<http://trend-kid.com/ipod-nano-watch-band-orange.htm>), accessed Dec. 5, 2014.

[Online] <http://i1-news.softpedia-static.com/images/news2/The-Chips-for-Apple-s-Smartwatch-Are-Entering-Production-464937-2.jpg> Retrieved on Feb. 17, 2015.

[Online] <http://fansided.com/files/2015/01/MetalBands-640x359.jpg>. Retrieved Mar. 30, 2016.

Suunto D6 Replacement Stainless Metal Watch Band Bracelet SS013525000 w/ Free Shipping and Handling, (<http://www.opticsplanet.com/suunto-d6-replacement-stainless-bracelet.html>), accessed Dec. 5, 2014.

Thomas Ricker, "Nike's Amp+ watch: hearts your heart and iPod, too," Oct. 5, 2007, < <http://www.engadget.com/2007/10/05/nikes-amp-watch-hearts-your-heart-and-ipod-too/>>, accessed Dec. 17, 2014.
Twist-O-Flex Radial (16-21mm, Stainless Steel), < <http://www.thewatchprince.com/Speidel-Twist-O-Flex-Expansion-Radial-Stainless>>, accessed Dec. 5, 2014.

* cited by examiner

Primary Examiner — Melanie Pellegrini
(74) *Attorney, Agent, or Firm* — Sterne, Kessler,
Goldstein & Fox P.L.L.C.

(57) **CLAIM**

The ornamental design for a band, as shown and described.

DESCRIPTION

FIG. 1 is a bottom front perspective view of a band showing the claimed design;

FIG. 2 is a bottom rear perspective view thereof;

FIG. 3 is a front view thereof;

FIG. 4 is a rear view thereof;

FIG. 5 is a left side view thereof;

FIG. 6 is a right side view thereof;

FIG. 7 is a top view thereof;

FIG. 8 is a bottom view thereof; and,

FIG. 9 is a perspective view thereof showing the band in an environment in which it may be used.

The broken lines in the figures show portions of the band and environment that form no part of the claimed design.

1 Claim, 6 Drawing Sheets

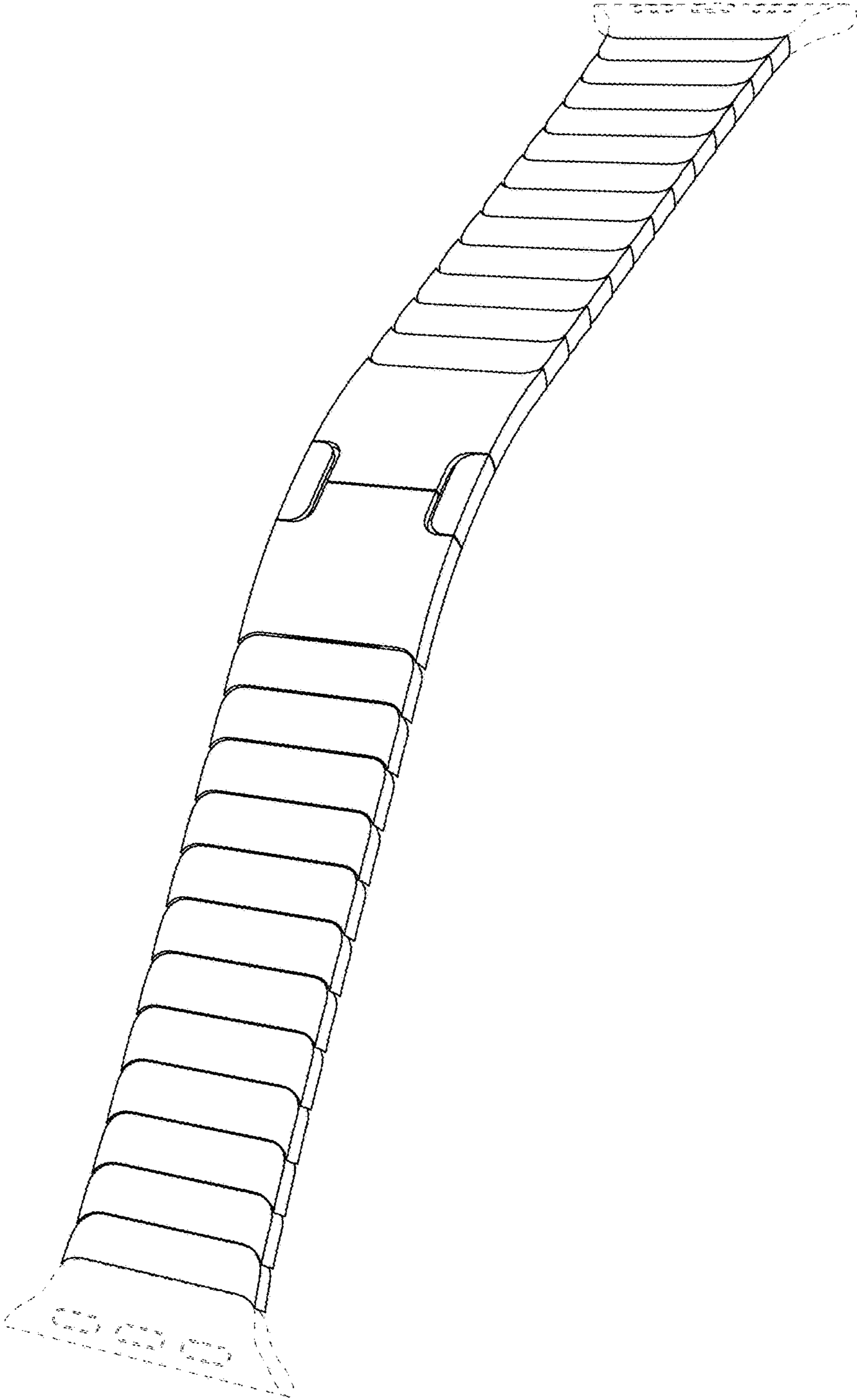


FIG. 1

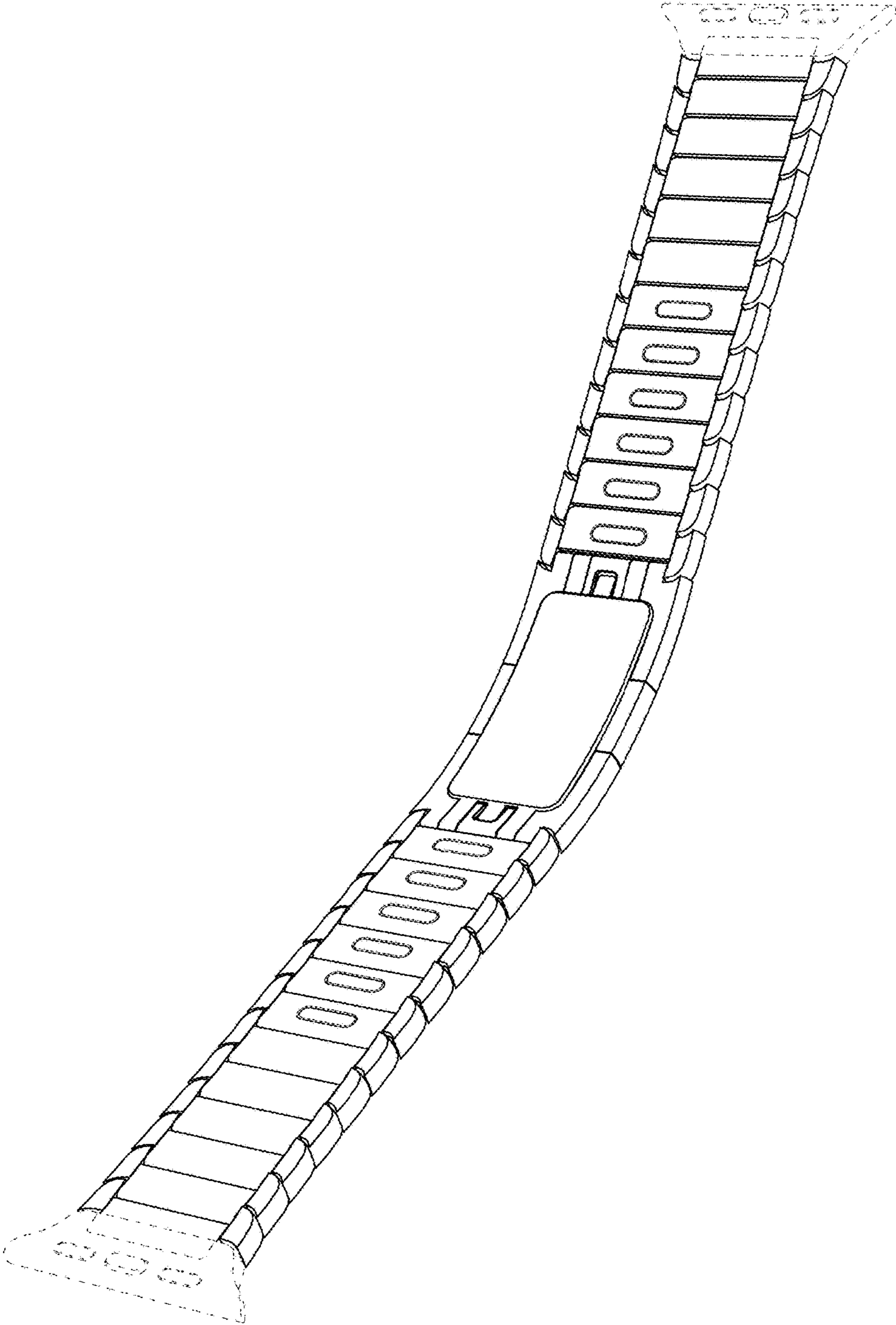


FIG. 2

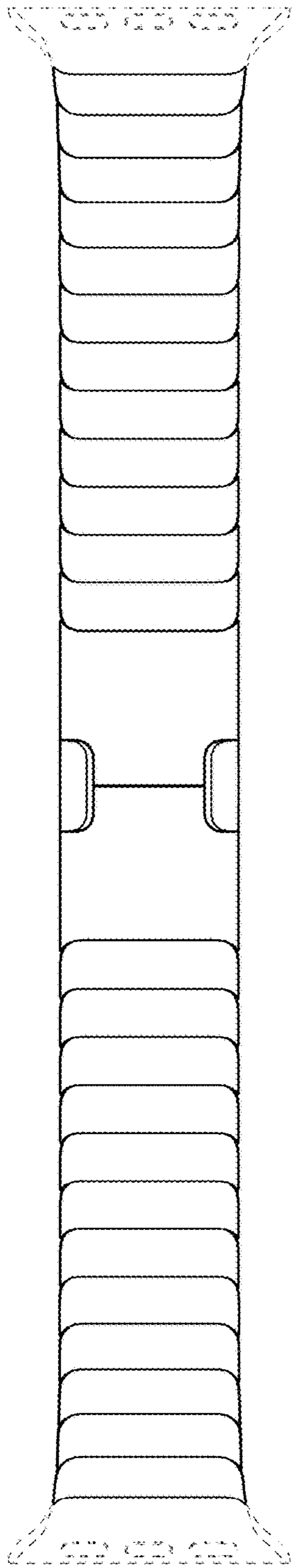


FIG. 3

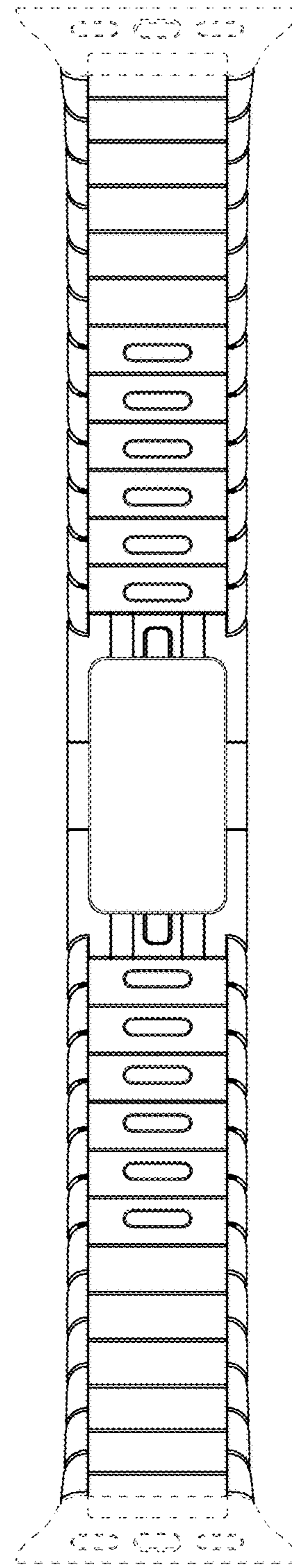


FIG. 4

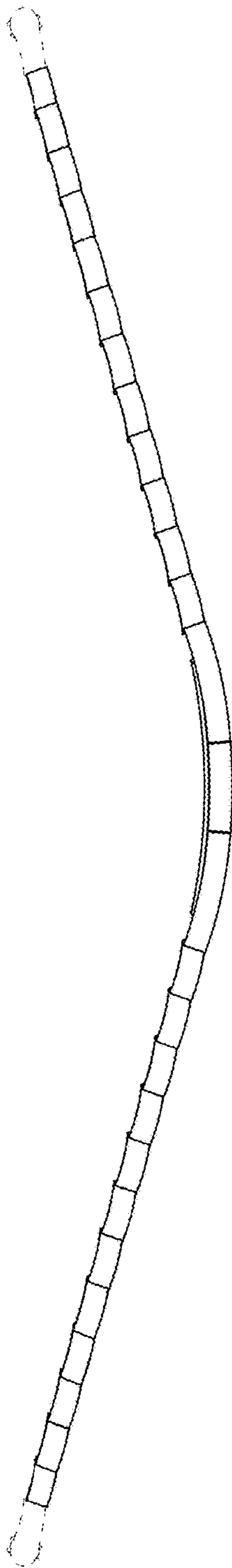


FIG. 5

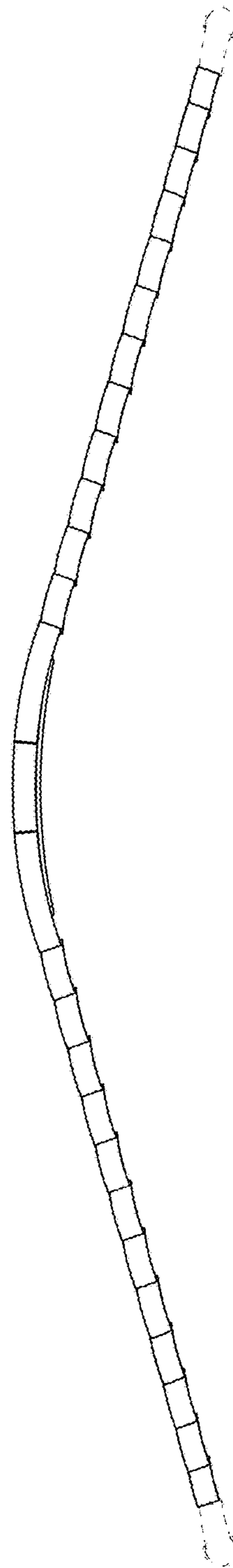


FIG. 6

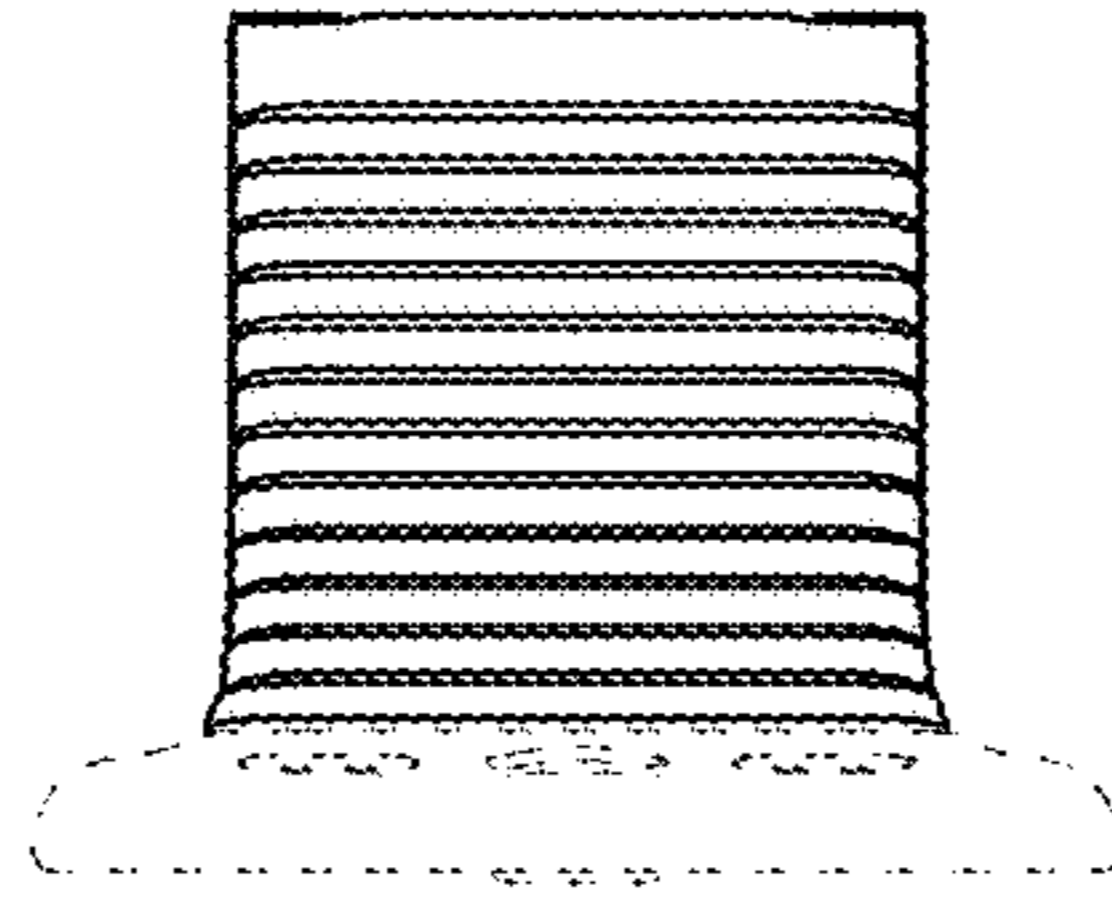


FIG. 7

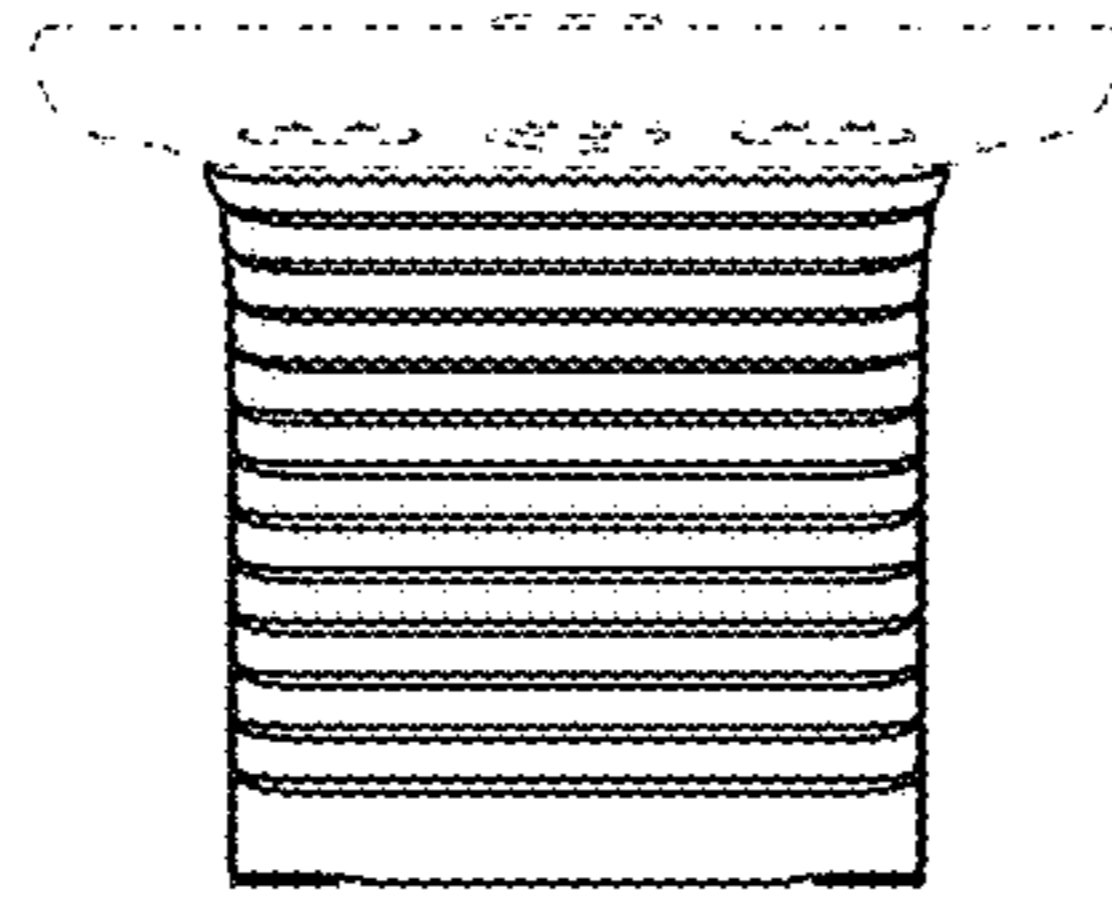


FIG. 8

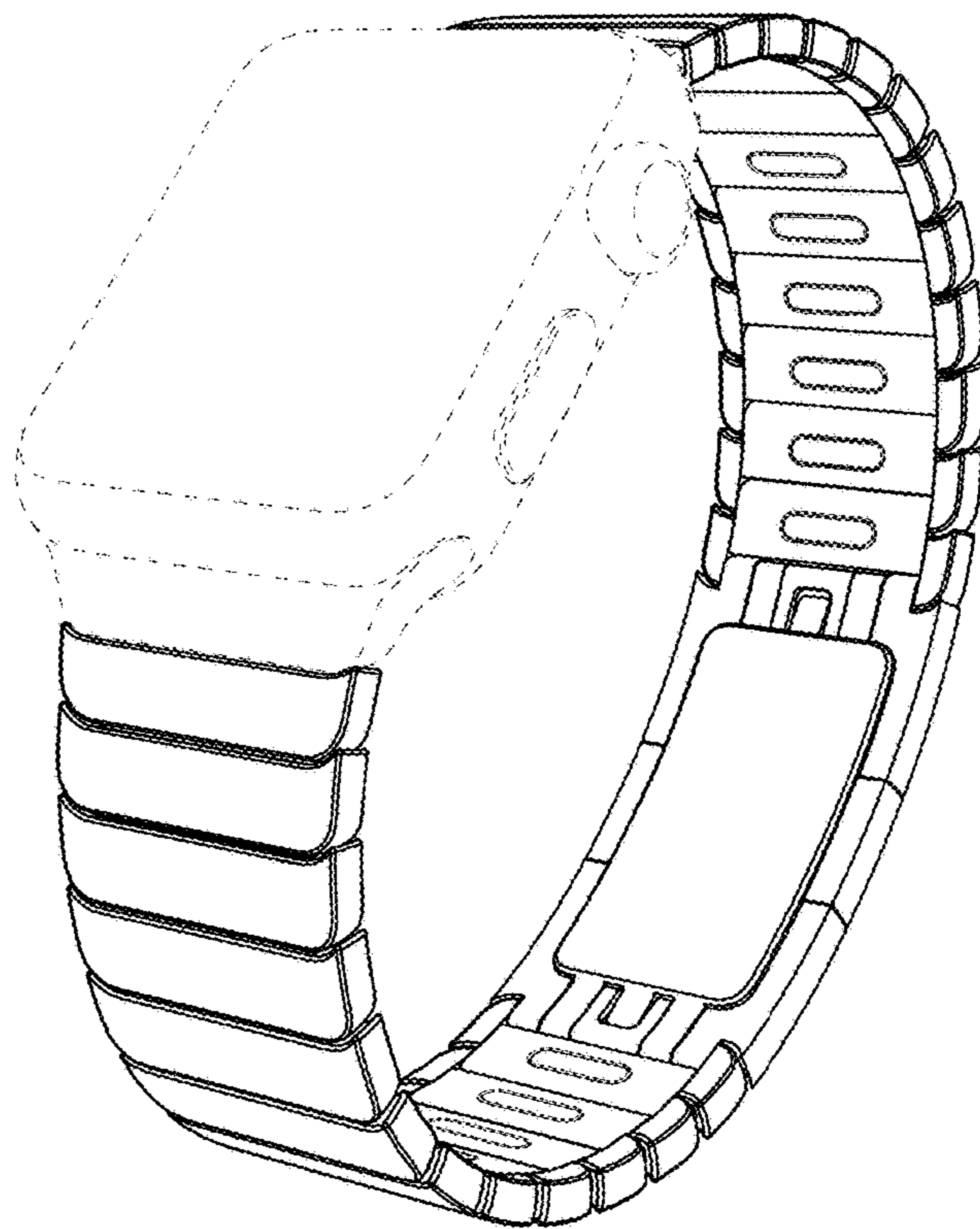


FIG. 9