



US00D852665S

(12) **United States Design Patent**
Ambrozewicz et al.

(10) **Patent No.:** **US D852,665 S**
(45) **Date of Patent:** **** Jul. 2, 2019**

- (54) **BRACELET**
- (71) Applicants: **Lorette Ambrozewicz**, Callicoon Center, NY (US); **Carlos Zamora**, New York, NY (US)
- (72) Inventors: **Lorette Ambrozewicz**, Callicoon Center, NY (US); **Carlos Zamora**, New York, NY (US)
- (73) Assignee: **AMBROZEWICZ**, Callicoon Center, NY (US)
- (**) Term: **15 Years**

- 1,443,512 A * 1/1923 Veigel, Jr. A44C 5/105
24/327
 - 1,626,139 A * 4/1927 Kraysler A44C 5/02
D11/12
 - 1,635,269 A * 7/1927 Grant A44C 5/105
D11/12
 - D74,258 S * 1/1928 Droz D11/14
 - 1,750,786 A * 3/1930 Roy A44C 5/02
24/265 B
 - 1,874,538 A * 8/1932 Johnson A44C 5/08
63/4
 - D171,268 S * 1/1954 Sand D11/12
 - D254,198 S * 2/1980 Hardy D11/20
- (Continued)

- (21) Appl. No.: **29/580,373**
- (22) Filed: **Oct. 7, 2016**
- (51) **LOC (11) Cl.** **11-01**
- (52) **U.S. Cl.**
USPC **D11/13**
- (58) **Field of Classification Search**
USPC D11/1-13, 86, 91-94; D10/30-32, 38,
D10/40; D14/344; D3/201, 214, 215
CPC A44C 5/00; A44C 5/0053; A44C 5/0061;
A44C 5/0069; A44C 5/0076; A44C 5/02;
A44C 5/022; A44C 5/025; A44C 5/027;
A44C 5/08; A44C 5/10; A44C 5/102;
A44C 5/105; A44C 5/107; A44C 11/00;
A44C 11/002; A44C 11/005; A44C
11/007; A44C 13/00; G06F 1/163; G09F
3/005
See application file for complete search history.

- (56) **References Cited**
U.S. PATENT DOCUMENTS
1,173,427 A * 2/1916 Reyman B21L 11/005
59/35.1
1,276,607 A * 8/1918 Anderson A44C 11/00
59/80
1,440,230 A * 12/1922 Mestekin A44C 5/102
59/80

OTHER PUBLICATIONS

Anita Ko—All diamond square link bracelet, available for sale since Mar. 7, 2015, online. Site visited on Jul. 24, 2018. Internet URL:<“https://anitako.com/products/all-diamond-square-link-bracelet”> (Year: 2015).*

Primary Examiner — Cynthia Ramirez
Assistant Examiner — L. Martinez
(74) *Attorney, Agent, or Firm* — Cozen O’Connor

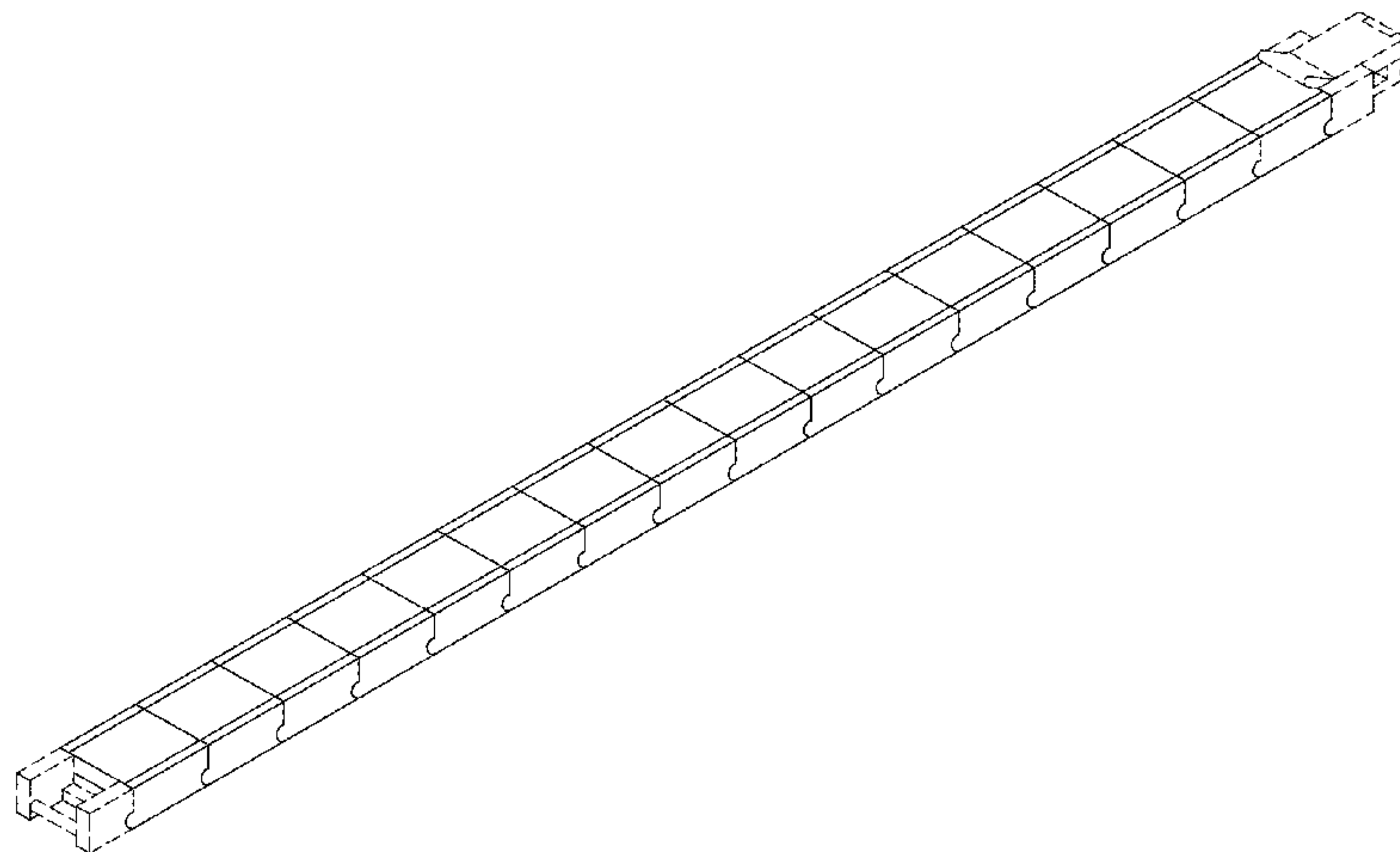
(57) **CLAIM**

The ornamental design for a bracelet, as shown and described.

DESCRIPTION

FIG. 1 is a perspective view of a bracelet showing our new design;
FIG. 2 is a top view of the bracelet of FIG. 1;
FIG. 3 is a bottom view of the bracelet of FIG. 1;
FIG. 4 is a right side view of the bracelet of FIG. 1, the left side view being a mirror image thereof; and,
FIG. 5 is a right side view of the bracelet of FIG. 1 with opposite ends of the bracelet being connected by the clasp. The broken lines in the Figures show portions of the bracelet which form no part of the claimed design.

1 Claim, 4 Drawing Sheets



(56)

References Cited

U.S. PATENT DOCUMENTS

D256,899	S *	9/1980	Mazzini	D11/13
D334,151	S *	3/1993	Bichi	D11/3
D407,035	S *	3/1999	Ambar	D11/6
D438,484	S *	3/2001	Forin	D11/6
D438,485	S *	3/2001	Forin	D11/6
6,212,869	B1 *	4/2001	Sadowsky	A44C 5/105 63/4
D459,678	S *	7/2002	Steinberg	D11/3
D472,178	S *	3/2003	Avril	D11/6
D472,841	S *	4/2003	Avril	D11/6
D535,905	S *	1/2007	Emelyanov	D11/12
D547,227	S *	7/2007	Del Valle	D11/3
D681,496	S *	5/2013	Goerges	D11/26
D688,583	S *	8/2013	Bhang	D11/3
D735,598	S *	8/2015	Hines	D11/3
D742,874	S *	11/2015	Cheng	D14/344
D759,532	S *	6/2016	Mazza	D11/13
D778,769	S *	2/2017	Inouye	D11/93
D778,770	S *	2/2017	Curry	D11/93
D779,362	S *	2/2017	Verdeille	D11/16
9,565,906	B2 *	2/2017	Nakamura	A44C 5/0053
D785,484	S *	5/2017	Galli	D11/12
2015/0223574	A1 *	8/2015	Nakamura	A44C 5/0053 224/181

* cited by examiner

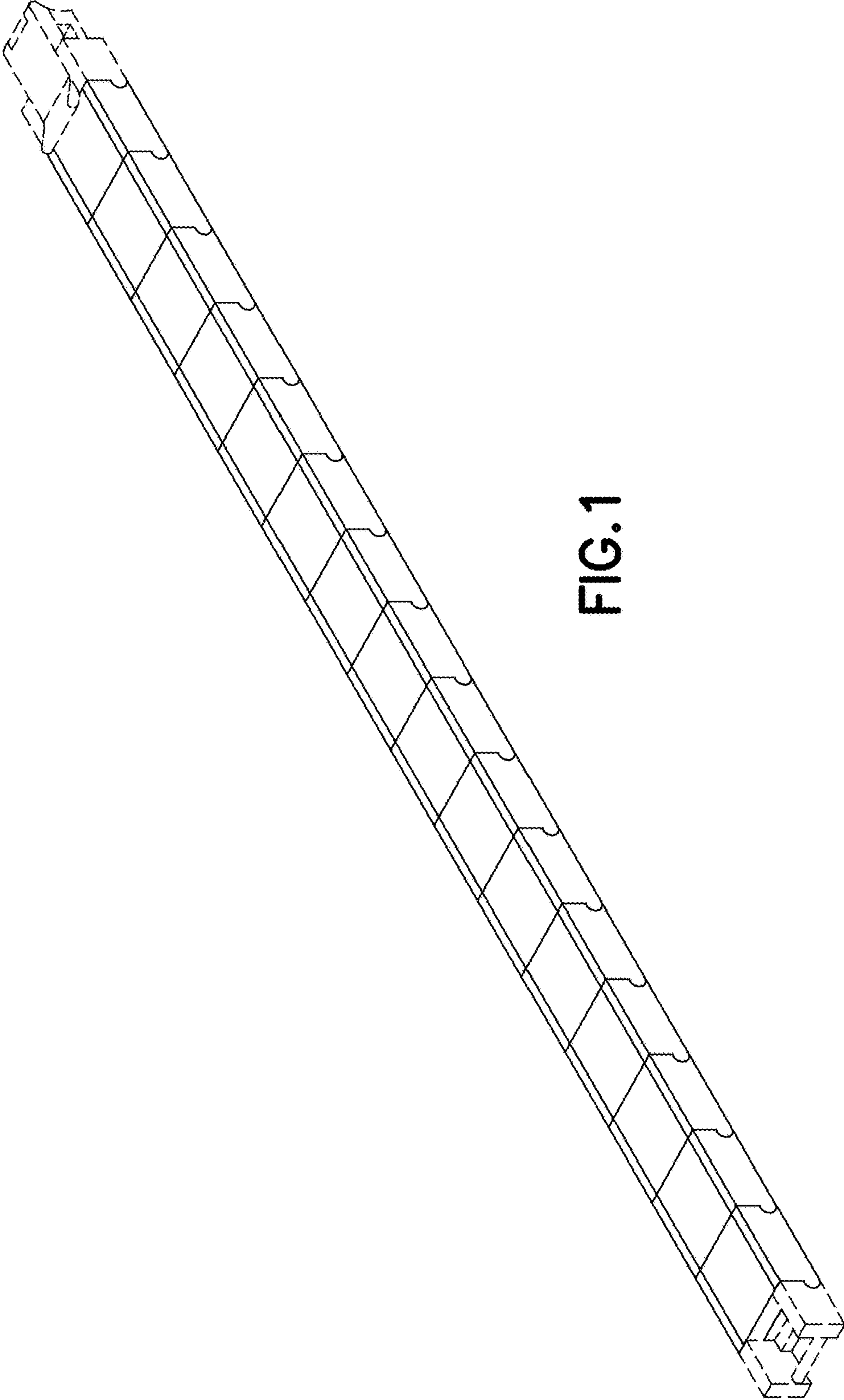


FIG. 1

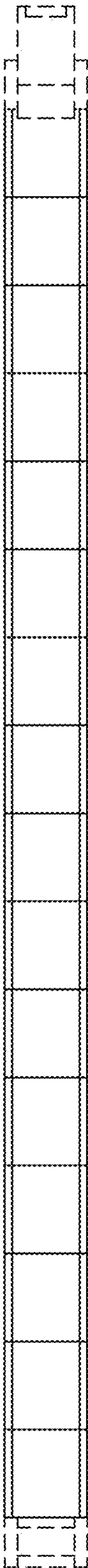


FIG. 2

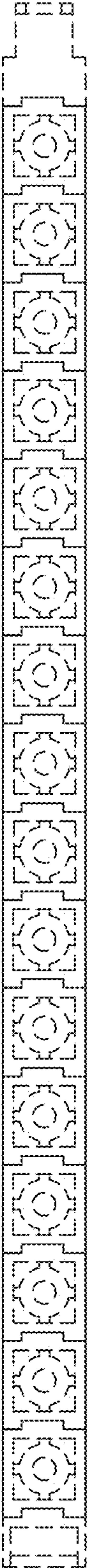


FIG. 3



FIG.4

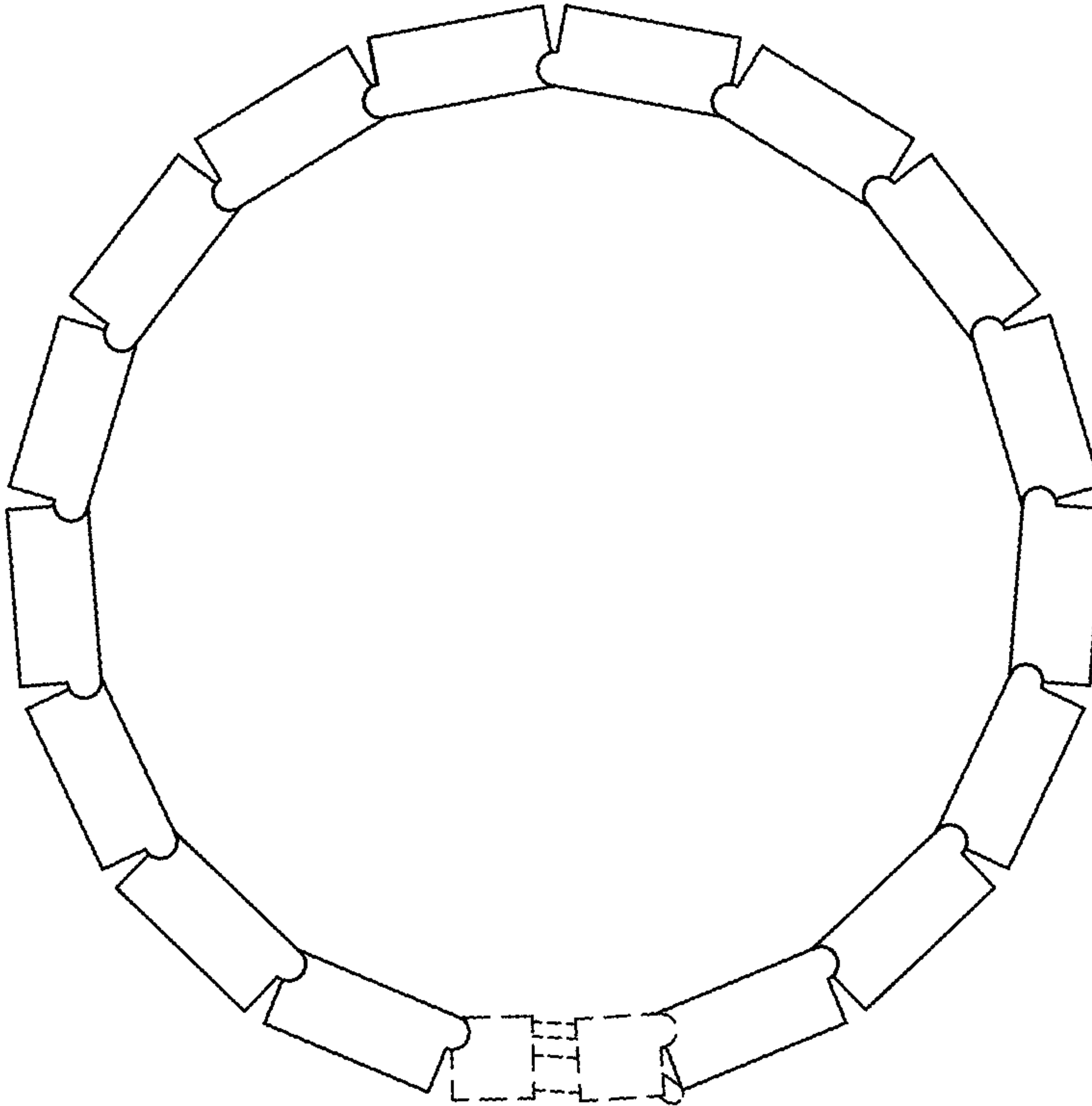


FIG.5